

7765



Instructions for Use

Instrucciones de uso

**MODELS: 56514925 (VD Gas), 56514926 (VD LP), 56514927 (VD Diesel)
56514928 (MD Gas), 56514929 (MD LP GM3.0L), 56514930 (MD Diesel S4Q2)
56514931 (VD LP)**



A-English
B-Español
5/09 Form No. 56041801

TABLE OF CONTENTS

	Page
Table of Contents	A-2 - A-3
Introduction.....	A-4
Introduction.....	A-4
Parts and Service	A-4
Nameplate	A-4
Un-Crating	A-4
Machine Operation	A-5
Preparing the Machine for Operation.....	A-5
Cautions and Warnings.....	A-6
Consignes De Prudence Et De Securite.....	A-7
Operation of Controls and Gauges.....	A-8 – A-15
Ignition Switch	A-8
Light Switch	A-8
Turn Signal (Option)	A-9
Glow Plug Switch.....	A-9
Horn Push Button	A-9
Side Broom Lift	A-9
Main Broom Switch.....	A-10
Side Broom Switch	A-10
Dust Control Switch	A-10
Filter Shaker Switch.....	A-10
Water Temperature Gauge	A-11
Hour Meter.....	A-11
Fuel Gauge.....	A-11
Oil Pressure Gauge	A-11
Volt Meter	A-11
Scrub Brushes Switch	A-12
Brush Rotation Switch	A-12
Brush Pressure Switch	A-12
Squeegee Blade Switch	A-12
High Recovery Warning Light	A-12
Low Solution Warning Light	A-12
Hopper Lift	A-13
Hopper Safety Lock Arm.....	A-13
Hopper Dump Door.....	A-13
Manual Dump Hopper	A-13
Solution Control	A-13
Sweeping Broom Lift Control	A-13
Throttle	A-14
Check Engine Light	A-14
Parking Brake	A-14
Foot Brake	A-14
Accelerator & Directional Control Pedal	A-15
Back-Up Alarm Switch	A-15
Seat Adjustment	A-15

TABLE OF CONTENTS

	Page
Scrubbing System Operating Instructions	A-16 – A-18
ESP System Operating Instructions	A-16
ESP Recycling Control Panel	A-16
ESP Recycling System On/Off Switch	A-16
Solution High Warning Light	A-16
Detergent Low Warning Light	A-16
Detergent Flow Knob	A-16
The Scrubbing System - How It Works	A-17
Non-Recycling Scrubbing System - How It Works	A-17
Recovery or ESP System - How It Works	A-18
Dust Control Operating Instructions	A-19
The Sweeping & Dust Control System - How It Works	A-19
Operating Instructions	A-20 – A-22
Filling the Solution Tank - Non-Recycling (Standard)	A-20
Filling the Solution Tank - ESP	A-20
Pre-Start Checklist	A-20
Before Starting the Engine	A-20
Starting the Engine	A-20
Post-Start Checklist	A-21
Transporting the Machine	A-21
Beginning the Cleaning Operation	A-21
Helpful Hints for Cleaning Operation	A-22
Post-Operation & Clean-Up Instructions	A-23 – A-25
To Stop the Cleaning Operation	A-23
Post-Operation Checklist	A-23
To Drain the Solution Tank	A-23
To Clean the Solution Tank	A-23
To Drain the Recovery Tank	A-23
To Clean the Recovery Tank	A-24
To Empty the Debris Hopper	A-25
Towing Instructions	A-25
Service Chart	A-26 – A-27
General Machine Maintenance	A-28 – A-33
Lubrication	A-28
Engine	A-29
Main Broom Removal	A-29
Main Broom Level Adjustment	A-30
Adjusting Main Broom Wear Pattern	A-30
Side Broom Level Adjustment	A-30
Side Broom Replacement	A-30
Flaps	A-31
Scrub Brush Replacement	A-32
Covers and Latches	A-32
Solution Warning Light	A-32
Recovery Warning Light	A-32
Solution Control - Standard	A-32
Solution Control - ESP	A-32
Recycling Pump ESP System	A-33
ESP System Storage	A-33
Rear Squeegee	A-33
Squeegee Caster Wheels	A-33
Adjusting Casters	A-33
General Troubleshooting	A-34 – A-35
Technical Specifications	A-36

A-4 / ENGLISH

INTRODUCTION

This manual will help you get the most from your Advance sweeper / scrubber. Read it thoroughly before operating the machine.

PARTS AND SERVICE

Repairs, when required, should be performed by your Authorized Advance™ Service Center, who employs factory trained service personnel, and maintains an inventory of Advance™ original replacement parts and accessories.

Call the ADVANCE INDUSTRIAL DEALER named below for repairs or service. Please specify the Model and Serial Number when discussing your machine.

(Dealer, affix service sticker here.)

NAMEPLATE

The Model Number and Serial Number of your machine are shown on the Nameplate, located on the wall of the operator's compartment. This information is needed when ordering repair parts for the machine. Use the space below to note the Model Number and Serial Number of your machine for future reference.

MODEL _____

SERIAL NUMBER _____

Note: Reference the separately supplied engine manufacture's maintenance and operator manual for more detailed engine specification and service data.

UNPACKING THE MACHINE

Upon delivery, carefully inspect the shipping crate and the machine for damage. If damage is evident, save all parts of the shipping crate so that they can be inspected by the trucking company that delivered the machine. Contact the trucking company immediately to file a freight damage claim.

MACHINE OPERATION

FIGURE 1

YOUR 7765 MACHINE HAS BEEN SHIPPED COMPLETE, BUT DO NOT ATTEMPT TO OPERATE WITHOUT FOLLOWING THESE INSTRUCTIONS.

PREPARING THE MACHINE FOR OPERATION

1. Connect and tighten battery cables.
2. Fill the tank with REGULAR GRADE unleaded gasoline; Diesel fuel if equipped with diesel engine.

 WARNING

Never fill tank while engine is running. Always be sure fuel container and sweeper are electrically connected before pouring fuel. This can easily be done by permanently attaching one end of an insulated wire to the container with battery clip on the opposite end.

3. Check engine crankcase oil level. Although properly lubricated at factory, check before starting engine. No special brand oil is used. Recommended number of operating hours before the initial oil change is the same as normal. See Maintenance.
4. Check radiator coolant level. Permanent type antifreeze is added at the factory to provide protection to approximately -35° F (37° C). To retain this protection level, always mix 1 part water to 1 part antifreeze.
5. Check oil level in the hydraulic reservoir located at center of machine beside the engine. Oil fill level should be two (2) inches (5 cm.) below filler neck assembly. If oil is required, add HYDRAULIC FLUID ONLY, automatic transmission fluid FORD type "F". After the first 50 operating hours, service must be performed on your engine to insure future high performance and trouble-free operation. See Maintenance.

CAUTIONS AND WARNINGS

SYMBOLS

Advance™ uses the symbols below to signal potentially dangerous conditions. Always read this information carefully and take the necessary steps to protect personnel and property.

DANGER!

Is used to warn of immediate hazards that will cause severe personal injury or death.

WARNING!

Is used to call attention to a situation that could cause severe personal injury.

CAUTION!

Is used to call attention to a situation that could cause minor personal injury or damage to the machine or other property.



Read all instructions before using.

GENERAL SAFETY INSTRUCTIONS

Specific Cautions and Warnings are included to warn you of potential danger of machine damage or bodily harm.

DANGER!

- This machine emits exhaust gases (carbon monoxide) that can cause serious injury or death, always provide adequate ventilation when using machine.

WARNING!

- This machine shall be used only by properly trained and authorized persons.
- While on ramps or inclines, avoid sudden stops when loaded. Avoid abrupt sharp turns. Use low speed down hills. Clean only while ascending (driving up) the ramp.
- To avoid hydraulic oil injection or injury always wear appropriate clothing and eye protection when working with or near hydraulic system.
- Turn the key switch off (O) and disconnect the batteries before servicing electrical components.
- Never work under a machine without safety blocks or stands to support the machine.
- Do not dispense flammable cleaning agents, operate the machine on or near these agents, or operate in areas where flammable liquids exist.
- Do not clean this machine with a pressure washer.

CAUTION!

- This machine is not approved for use on public paths or roads.
- This machine is not suitable for picking up hazardous dust.
- Use care when using scarifier discs and grinding stones. Advance™ will not be held responsible for any damage to floor surfaces caused by scarifiers or grinding stones.
- When operating this machine, ensure that third parties, particularly children, are not endangered.
- Before performing any service function, carefully read all instructions pertaining to that function.
- Do not leave the machine unattended without first turning the key switch off (O), removing the key and applying the parking brake.
- Turn the key switch off (O) before changing the brushes, and before opening any access panels.
- Take precautions to prevent hair, jewelry, or loose clothing from becoming caught in moving parts.
- Use caution when moving this machine in below freezing temperature conditions. Any water in the solution or recovery tanks or in the hose lines could freeze.
- Before use, all doors and hoods should be properly latched.

SAVE THESE INSTRUCTIONS

CONSIGNES DE PRUDENCE ET DE SECURITE

SYMBOLES

Advance™ utilise les symboles reproduits ci-dessous pour attirer l'attention de l'opérateur sur des situations potentiellement dangereuses. Il est donc conseillé de lire attentivement ces indications et de prendre les mesures adéquates en vue de protéger le personnel et le matériel.

DANGER !

Ce symbole est utilisé pour mettre l'opérateur en garde contre les risques immédiats pouvant provoquer des dommages corporels graves, voire entraîner la mort.

ATTENTION !

Ce symbole est utilisé pour attirer l'attention sur une situation susceptible d'entraîner des dommages corporels graves.

PRUDENCE !

Ce symbole est utilisé pour attirer l'attention de l'opérateur sur une situation qui pourrait entraîner des dommages corporels minimes ou des dommages à la machine ou à d'autres équipements.



Lire toutes les instructions avant d'utiliser l'appareil.

CONSIGNES GENERALES DE SECURITE

Les consignes spécifiques de prudence et de sécurité mentionnées ici ont pour but de vous informer de la survenance de tout risque de dommages matériels ou corporels.

DANGER !

- Les gaz d'échappement (monoxyde de carbone) évacués par la machine peuvent entraîner de graves dommages corporels, voire la mort. Veuillez donc toujours à bénéficier d'une ventilation suffisante lorsque vous utilisez la machine.

ATTENTION !

- Cette machine ne pourra être utilisée que par du personnel parfaitement entraîné et dûment autorisé.
- Evitez les arrêts subits lorsque la machine est chargée et se trouve sur des rampes ou des plans inclinés. Evitez les virages serrés. Adoptez une vitesse réduite lorsque la machine est en descente. Ne nettoyez que lorsque la machine monte la pente.
- Lorsque vous utilisez le système hydraulique ou travaillez à proximité de celui-ci, veillez à porter une tenue appropriée et des lunettes de protection afin d'éviter tout risque de blessures ou toute projection d'huile.
- Positionnez la clé de contact sur off (O) et déconnectez les batteries avant de procéder à l'entretien des composants électriques.
- Ne travaillez jamais sous une machine sans y avoir placé, au préalable, des blocs de sécurité ou des étais destinés à soutenir la machine
- Ne déversez pas d'agents nettoyants inflammables, ne faites pas fonctionner la machine à proximité de ces agents ou d'autres liquides inflammables.
- Ne nettoyez pas cette machine avec un nettoyeur à pression.

PRUDENCE !

- Cette machine n'est pas conçue pour une utilisation sur les chemins ou voies publiques.
- Cette machine n'est pas conçue pour le ramassage des poussières dangereuses.
- Faites extrêmement attention lorsque vous utilisez des disques de scarificateur et des meules. Advance™ ne pourra, en aucun cas, être tenu pour responsable des dommages occasionnés à vos sols par ce type d'équipement.
- Lors de l'utilisation de cette machine, assurez-vous que des tiers, et notamment des enfants, ne courent pas le moindre risque.
- Avant de procéder à toute opération d'entretien, veuillez lire attentivement toutes les instructions qui s'y rapportent.
- Ne laissez pas la machine sans surveillance sans avoir, au préalable, coupé le contact, enlevé la clé de contact (O) et tiré le frein à main.
- Positionnez la clé de contact sur off (O) avant de remplacer les brosses ou d'ouvrir tout panneau d'accès.
- Prenez toutes les mesures nécessaires pour éviter que les cheveux, les bijoux ou les vêtements amples ne soient entraînés dans les parties mobiles de la machine.
- Faites attention lorsque vous déplacez cette machine dans un endroit où la température peut descendre sous 0°. Car l'eau contenue dans la solution, dans les réservoirs de récupération ou dans les conduites risquerait de geler.
- Avant utilisation, toutes les portes et capots doivent être correctement fermés.

CONSERVEZ SOIGNEUSEMENT CES INSTRUCTIONS

OPERATIONS OF CONTROLS AND GAUGES

A	Water Temperature Gauge	T	Check Engine Light (Gasoline/LP)
B	Hour Meter	U	Turn Signal
C	Fuel Gauge	V	Throttle Diesel
D	Oil Pressure Gauge	W	Throttle Gasoline/LP
E	Volt Meter	X	Solution Control
F	Main Broom Switch	Y	Sweeping Broom Lift Control
G	Side Broom Switch	Z	ESP Option
H	Dust Control Switch	AA	Detergent Flow Knob
I	Filter Shaker Switch	AB	Detergent Low Light
J	Ignition Switch	AC	Recycling System Switch
K	Light Switch	AD	Solution High Light
L	Glow Plug Switch (Diesel Only)	AE	Hopper Dump door
M	Side Broom Lift	AF	Hopper Lift
N	Horn Push Button	AG	Low Solution Warning Light
O	Foot Brake	AH	High Recovery Warning Light
P	Backup Alarm Switch	AJ	Brush Pressure Switch
Q	Accelerator & Directional Control Pedal	AK	Scrub Brush Lift Switch
R	Seat Adjustment	AL	Squeegee Switch
S	Parking Brake	AM	Brush Rotation Switch

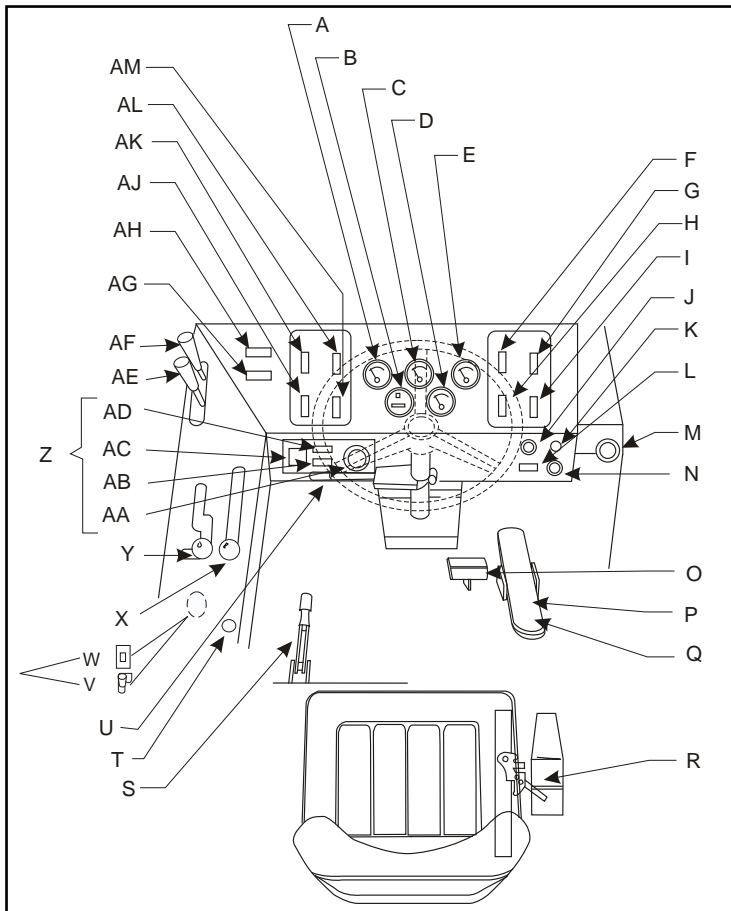


FIGURE 2

IGNITION SWITCH

The keyed Ignition Switch (J) is located to the right of the steering column on the front face of the instrument console. It has four positions.

- The key turned to the center "OFF" position will shut off the engine. The following items can be activated in the "OFF" position:
 - Horn
 - Light Options
- The key turned to the right "IGN/ON" position will allow all the following items to be activated (but will NOT start the engine):
 - Horn
 - Light Options
 - Turn Signals
 - Instrument Panel Gauges
- The key turned to the far right "START" position will start the engine. This position is a momentary position. The key will revert to the "IGN/ON" position when it is released.

LIGHT SWITCH

The Light Switch (K) is located above the horn button to the right of the steering wheel. It will work various light options that are available for this machine, such as:

- * HEAD LIGHTS
- * TAIL LIGHTS
- * INSTRUMENT LIGHTS

All gauges, with the exception of the hour meter, can have an optional internal instrument light.

OPERATIONS OF CONTROLS AND GAUGES

4-WAY TURN SIGNAL (OPTION)

The Turn Signal Option (U) is located on the steering column and works as automotive turn signals work, forward on the lever for right and back on the lever for left. The 4-way flasher will activate when the turn signal lever is pulled out.

GLOW PLUG SWITCH (DIESEL)

Under no circumstances should any other unauthorized starting aids be used at the same time as Glow Plugs. The Glow Plug Switch (L) is located to the right of the steering column on the front face of the instrument console. Use the following procedure to operate:

1. Before operating the starter motor, press the "GLOW PLUG" button for 20 to 30 seconds.
2. With the "GLOW PLUG" button still depressed, engage the starter motor until the engine starts.
3. Continue to press the "GLOW PLUG" button for a few seconds after the engine has started until even running has been obtained.
4. If the engine does not start, disengage the starter motor, but keep the "GLOW PLUG" button depressed for an additional 10 to 15 seconds. Keep the Glow Plugs energized while starting the engine and for a few seconds after the engine has been running smoothly.

HORN PUSH BUTTON

The Horn Button (N) is located to the right of the steering column on the front face of instrument console. The horn button is always active. Push the horn button to sound the horn.

SIDE BROOM LIFT (OPTIONAL FOR MANUAL DUMP)

The Side Broom Lift Lever (M) is located to the right of the instrument console. The handle pulled back and turned to the right will raise the side broom and lock it into position.

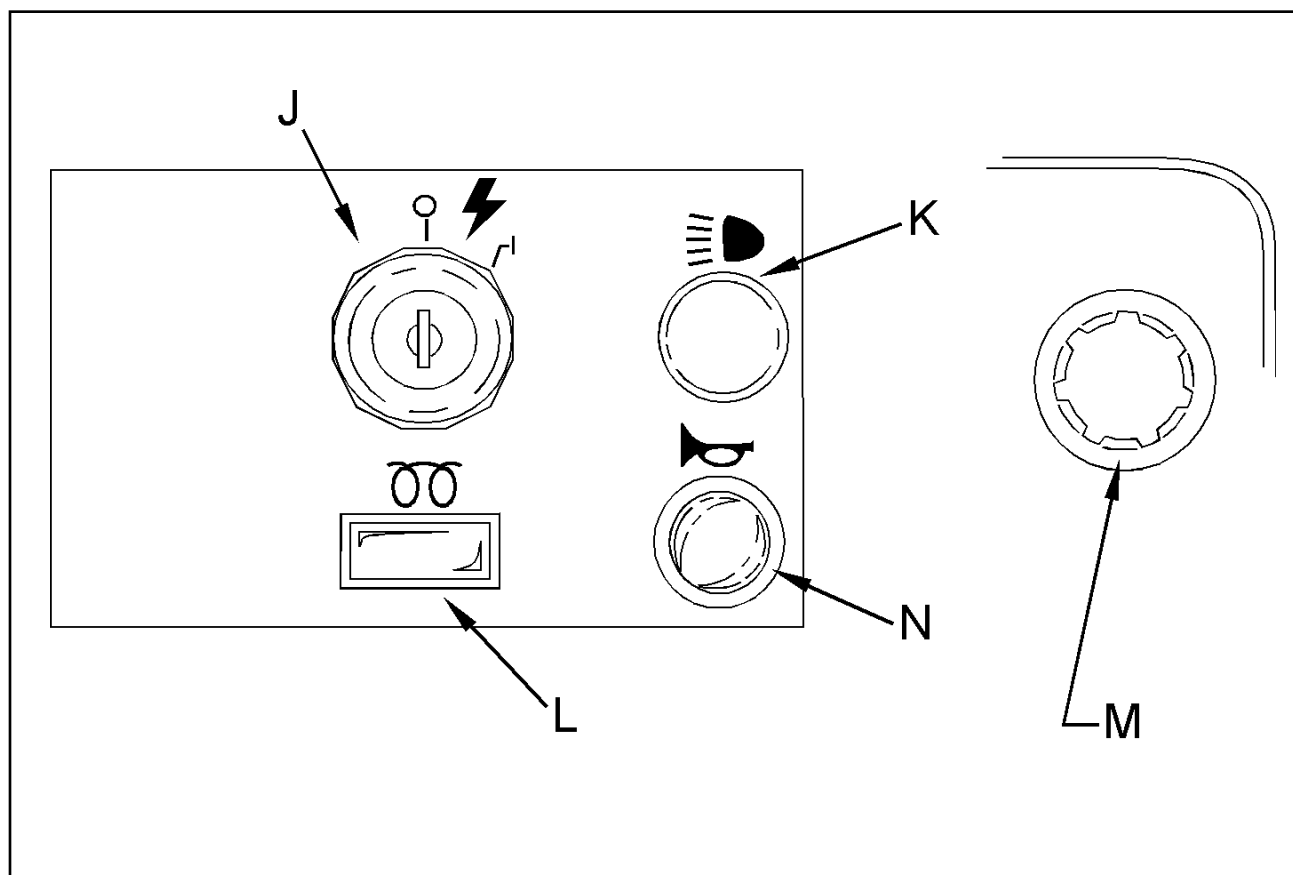


FIGURE 3

OPERATIONS OF CONTROLS AND GAUGES

MAIN BROOM SWITCH

The Main Broom Switch (F) is located on the console to the right of the steering wheel in the SWEEPING section. This switch will activate the Main Broom. This switch has two positions "ON" and "OFF". See Sweeping Broom Lift Control.

SIDE BROOM SWITCH (OPTION FOR MANUAL DUMP MACHINES)

The Side Broom Switch (G) is located on the console to the right of the steering wheel in the SWEEPING section. This switch will activate the Side Broom. This switch has two positions "ON" and "OFF". See Side Broom Lift Control.

DUST CONTROL SWITCH (WET SWEEP BYPASS OPTION - OPTION FOR MANUAL DUMP MACHINE)

The Dust Control Switch (H) is located on the console to the right of the steering wheel in the SWEEPING section. This switch will activate the dust control system.

FILTER SHAKER SWITCH (VARIABLE DUMP MACHINES ONLY)

The Filter Shaker Switch (I) is located on the console to the right of the steering wheel in the SWEEPING section.

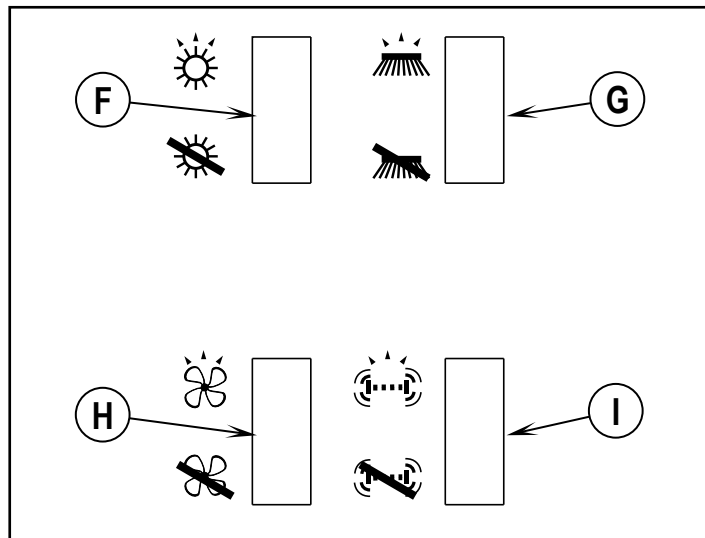
NOTE - (Variable Dump Machines Only)

THE MAIN BROOM SWITCH MUST ALWAYS BE PLACED IN THE OFF POSITION BEFORE SHAKING THE FILTER. FAILURE TO DO SO WILL RESULT IN DUST REMAINING ON THE SURFACE OF THE FILTER ENVELOPES INSTEAD OF DROPPING INTO THE HOPPER.

The button can be used when the ignition key is in the "ignition" position. The filter shaker control button is used during the sweeping cycle and the hopper unloading cycle. Use the filter shaker control switch to remove dust from the filter. Use the following procedures to operate the filter shaker control switch:

1. After the machine has made a long sweeping run, turn the broom switch to the "OFF" position.
2. Push the filter shaker control switch for 5 to 15 seconds to allow the filter to unload.
3. Turn the broom switch to the "ON" position. Repeat this procedure after each long sweeping run.

FIGURE 4



NOTE - (Variable Dump Machines Only)

The main broom, side broom, dust control and filter shaker turn off automatically when the hopper is dumping and/or the dump door is in a closed position. SEE HOPPER LIFT and HOPPER DUMP DOOR.

OPERATIONS OF CONTROLS AND GAUGES

WATER TEMPERATURE GAUGE

The Water Temperature Gauge (A) is located on the console panel above the steering wheel in the gauge cluster. The gauge is mechanical and activated by a sender in the engine. It displays the engine coolant temperature in Fahrenheit.

HOUR METER

The Hour Meter (B) is located on the console panel above the steering wheel in the gauge cluster. This meter is activated when the engine begins running. The meter indicates actual "run" time of the machine. The meter can be used to determine machine maintenance intervals.

FUEL GAUGE

The Fuel Gauge (C) is located on the console panel above the steering wheel in the gauge cluster. This gauge indicates the level of fuel contained in the fuel tank.

OIL PRESSURE GAUGE

The Oil Pressure Gauge (D) is located on the console panel above the steering wheel in the gauge cluster. The gauge is mechanical and activated by a sender in the engine. It displays the engine oil pressure in PSI.

VOLT METER

The Volt Meter (E) is located on the console panel above the steering wheel in the gauge cluster. The gauge indicates the charge level of the battery.

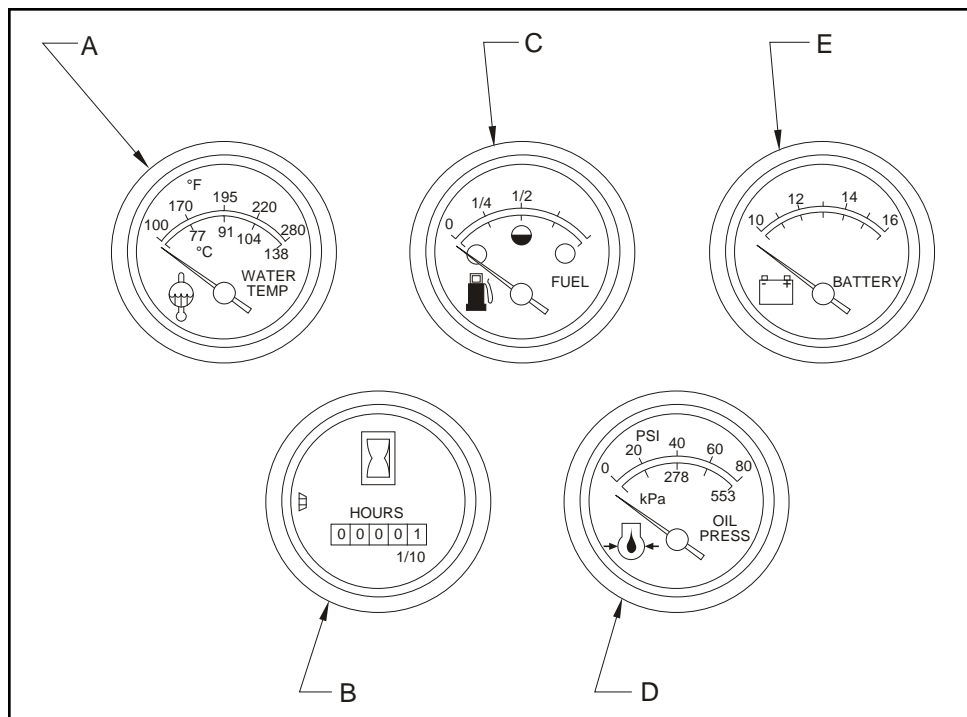


FIGURE 5

OPERATIONS OF CONTROLS AND GAUGES

SCRUB BRUSHES SWITCH

The Brushes Switch (**AK**) is located on the console to the left of the steering wheel in the “SCRUBBING” section. This switch in the position marked “LOWER” will lower the scrub brush deck and activate the three scrub brushes. The Brush Rotation Switch (**AM**) and the Brush Pressure Switch (**AJ**) can not be activated unless this switch is in the “LOWER” position. This switch in the “RAISE” position will stop the brushes from rotating and raise the scrub brush deck.

BRUSH ROTATION SWITCH

The Brush Rotation Switch (**AM**) is located on the console to the left of the steering wheel in the “SCRUBBING” section. This switch reverses the rotation of the scrub brushes. This switch has two positions, “NORMAL” and “REVERSED”. This switch can not be activated unless the Scrub Brush Lift Switch is in the “LOWER” position. The switch will light when activated.

BRUSH PRESSURE SWITCH

The Brush Pressure Switch (**AJ**) is located on the console to the left of the steering wheel in the “SCRUBBING” section. This switch applies additional downward pressure to the scrub brushes. This switch has two positions, “NORMAL” and “HEAVY”. This switch can not be activated unless the Scrub Brush Lift Switch is in the “LOWER” position. The switch will light when the switch can be activated.

SQUEEGEE BLADE SWITCH

The Squeegee Blade Switch (**AL**) is located on the console to the left of the steering wheel in the “SCRUBBING” section. This switch in the position marked “LOWER” will lower the squeegee and activate the squeegee vacuum. This switch in the “RAISE” position will stop the squeegee vacuum and raise the squeegee. A switch activated by the forward-reverse foot pedal will automatically raise the squeegee if it is in the lowered position and the machine is in reverse.

HIGH RECOVERY WARNING LIGHT

The High Recovery Warning Light (**AH**) is located on the console to the left of the steering wheel beside the “SCRUBBING” section. The recovery warning light will illuminate approximately 5 minutes before the recovery tank is full, giving ample time to complete the scrubbing cycle before the mechanical float shuts off the vacuum to the recovery tank.

LOW SOLUTION WARNING LIGHT

The Low Solution Warning Light (**AG**) is located on the console to the left of the steering wheel beside the “SCRUBBING” section. The Solution Warning Light will illuminate when the solution tank is empty, marking the end of the scrubbing cycle.

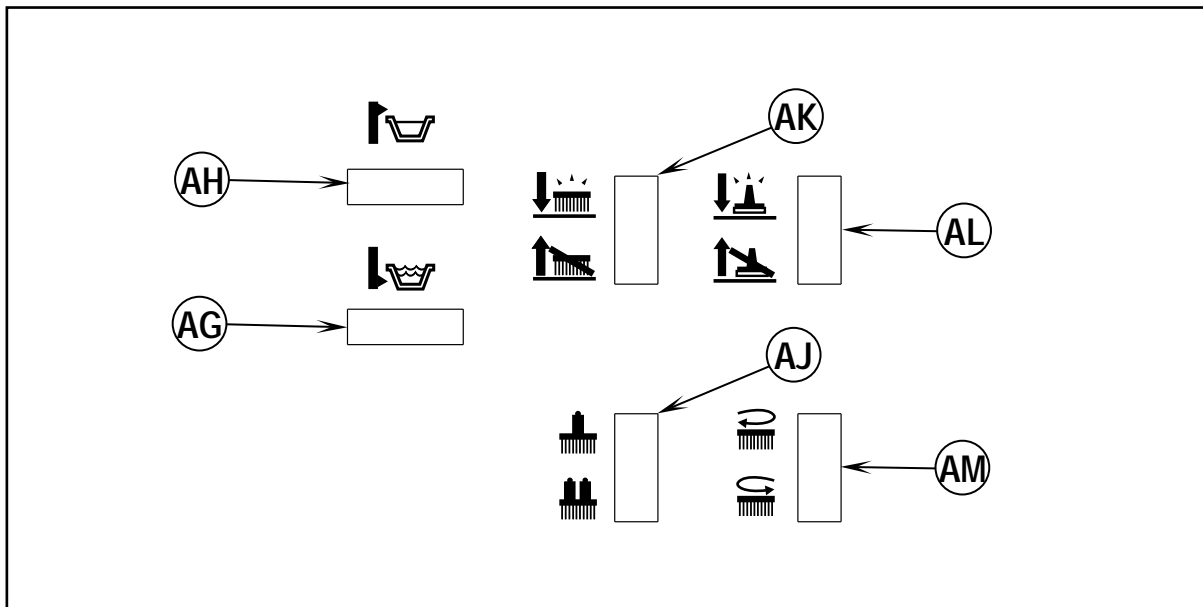


FIGURE 6

OPERATIONS OF CONTROLS AND GAUGES

HOPPER LIFT - (VARIABLE MACHINES ONLY)

The Hopper Lift Lever (AF) is located to the left of the steering wheel on the left side of the driver compartment. This lever, which is marked "HOPPER", raises and lowers the debris hopper to ease unloading.

⚠ WARNING

The hopper may drop unexpectedly and cause injury, always engage the safety arm before working under the hopper.

HOPPER SAFETY LOCK ARM (VARIABLE DUMP ONLY)

⚠ WARNING

When the hopper is raised the safety arm must be engaged before any work is done under the hopper

The Hopper Safety Lock Arm is located under the hopper assembly. After the work is complete, the safety arm must be disengaged.

HOPPER DUMP DOOR - (VARIABLE DUMP MACHINES ONLY)

The Hopper Dump Door Lever (AE) is located to the left of the steering wheel on the left of the driver compartment. This lever opens and closes the hopper door. This lever is located below the Hopper Lift Door and is marked "DUMP DOOR".

MANUAL DUMP HOPPER - (MANUAL DUMP HOPPER ONLY)

The Manual Dump Hopper Lever is located under the front bumper. To dump debris, pull the manual dump lever all the way to the position marked open. Leave the handle in the dump position and back the machine off the pile of debris. When clear of the debris, pull the manual dump lever to the position marked closed.

SOLUTION CONTROL

To apply solution to the scrubbing brushes, push the Solution Control Lever (X) forward until the desired setting is reached. The solution rate is continuously variable from off to approximately 1-3/4 GPM at low and 3-1/2 GPM at high. To stop application of solution, pull back on the lever until it stops at the "off" position. The solution warning light will illuminate when the solution tank is empty, marking the end of the scrubbing cycle.

NOTE

For best results, discontinue application of solution 10 feet before stopping or making a 90° or 180° turn.

SWEEPING BROOM LIFT CONTROL

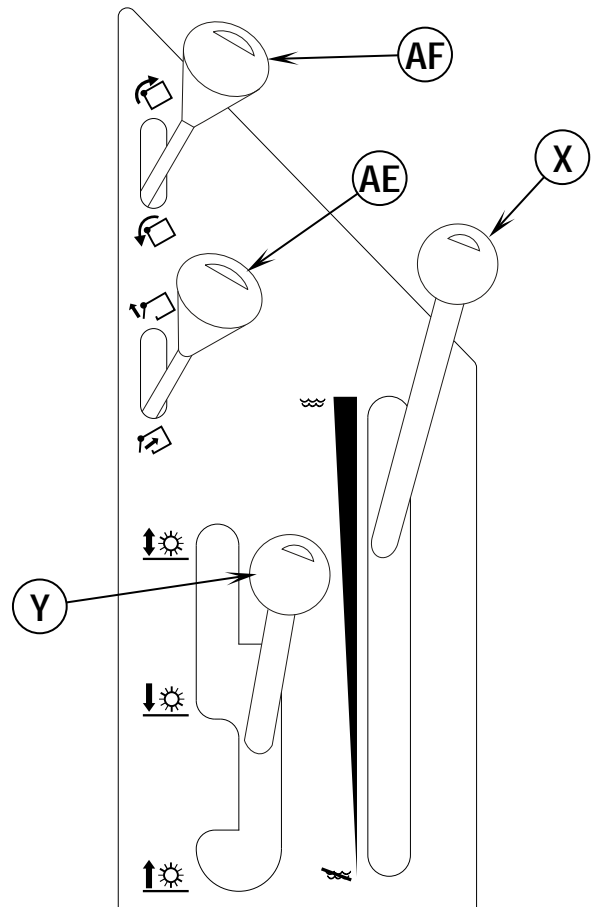
The Main Broom Lift Control (Y) is located to the left of the driver seat. To lower the main broom, grasp the lever and pull back to clear the locking notch. Move the lever forward to the first or second notch in the elongated slot. The first notch, "SWEEP", is for normal sweeping (2 to 3 inch [5 to 8 cm.] broom pattern). The second notch, "FLOAT", is for heavy sweeping (4 to 5 inch [10 to 13 cm.] broom pattern).

To raise the main broom, pull the lever back and slide into the locking notch. You may operate the main broom in either the "SWEEP" or "FLOAT" position. However, the "SWEEP" position should be used for normal sweeping and will result in increased broom life. The "FLOAT" position should be used only when sweeping extremely uneven areas.

NOTE - (Variable Dump Machines Only)

A switch triggered by the hopper and dump door position controls the sweeping functions, main broom, side broom, dust control, and filter shaker. The hopper must be down and the dump door open before these functions will work.

FIGURE 7



OPERATIONS OF CONTROLS AND GAUGES

THROTTLE CONTROL

See Figure 2. The Throttle Control (**V** or **W**) is located on the left side console. Gas and LP equipment have a Throttle Switch (**W**). Diesel versions have a Lever (**V**). To operate the diesel: For full throttle, grasp the lever and push up and right to the locking notch. To reduce to idle, grasp the lever and push it up and to the left (away from the locking notch). Let the lever lower until it rests at the bottom of the slot. "Load" (brooms and/or brushes and/or dust control operating) and "No Load" (brooms, brushes & dust control off) RPMs are the same for gas and LP equipment. There will be a slight drop between "Load" and "No Load" RPMs with diesels. Always return the throttle switch/lever to the idle position before turning off the key to stop the engine.

MACHINE		RPM's	
		IDLE	"NO LOAD"
SWEEPER / SCRUBBER (1 speed)	Gas/LP	950	2050
	Diesel	950	2150
SWEEPER (2 speed levels)	Gas/LP	1st	2050
		2nd	2450
	Diesel	1st	2150
		2nd	2550

CHECK ENGINE LIGHT (MIL) - GAS, LP ONLY

The Check Engine Light "MIL" (**T**) is located on the left side console. If the light comes on, it indicates a problem with the engine. Go to the GM Engine Service Manual, Section 7, for directions on how to diagnose the problem.

PARKING BRAKE

The Parking Brake Lever (**S**) is located in the left side of the driver compartment floor. See Figure 8. This lever, when raised to the upright position (**a**), will "lock" the foot brake pedal in the down position.

FOOT BRAKE

See Figure 2. The Foot Brake Pedal (**O**) is located to the right of the steering column on the floor of the driver compartment. See Figure 9. The foot brake on the front wheels is a mechanical system actuated by the brake pedal.

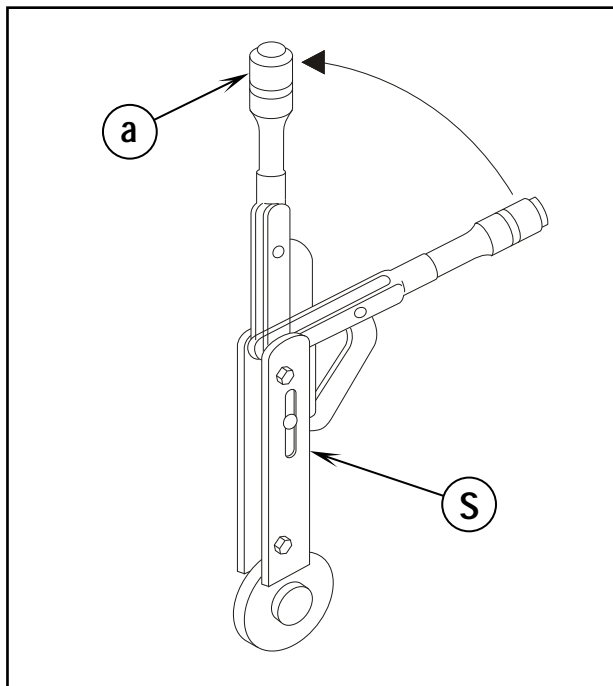


FIGURE 8

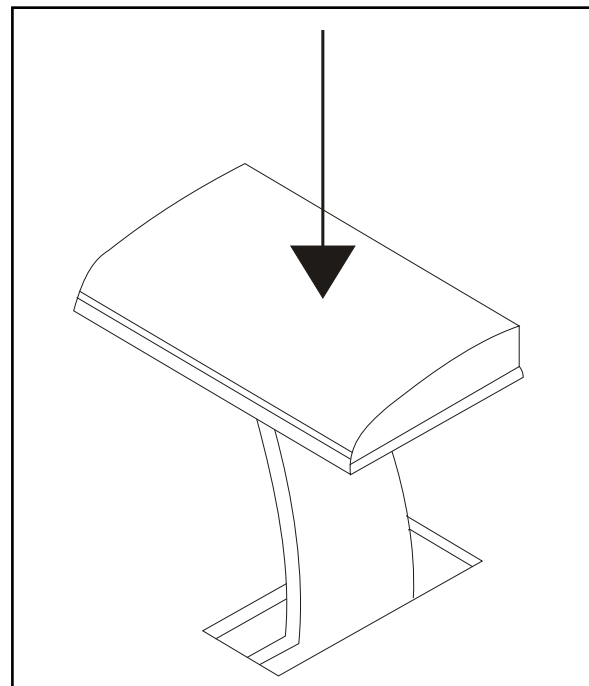


FIGURE 9

OPERATIONS OF CONTROLS AND GAUGES

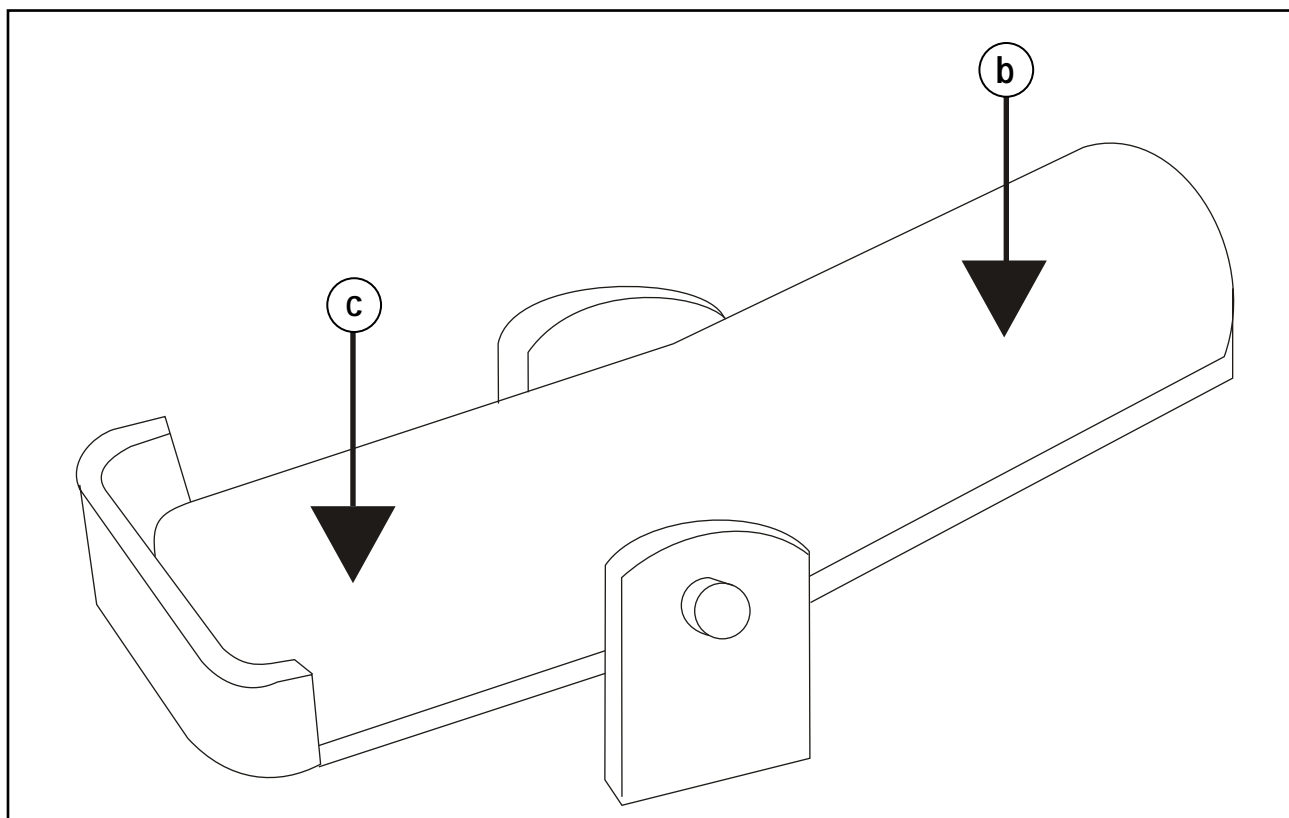


FIGURE 10

ACCELERATOR & DIRECTIONAL CONTROL PEDAL

See Figure 2. The Accelerator and Directional Control Pedal (**Q**) is located on the floor of the driver compartment, to the right of the brake pedal. The accelerator and directional control pedal controls machine direction and travel speed.

1. Put foot pressure on the upper portion of the pedal (**b**). The machine will move forward.
2. Increase the foot pressure on the upper portion of the pedal to increase the forward speed.
3. Put foot pressure on the lower portion of the pedal (**c**). The machine will move in reverse.
4. Increase the foot pressure on the lower portion of the pedal to increase the reverse speed.
5. To stop the machine, put light foot pressure on the opposite end of the accelerator and directional control pedal. If the machine is moving forward put light foot pressure on the lower portion of the pedal. If the machine is moving in reverse put light foot pressure on the upper portion of the pedal.

BACKUP ALARM SWITCH

See Figure 2. The Backup Alarm Switch (**P**) is located under the lower section of the accelerator and directional control pedal and operates the backup alarm. The alarm makes a loud audible noise when the machine is being driven in reverse.

SEAT ADJUSTMENT

See Figure 2. The Seat Adjustment Lever (**R**) is located on the right of the seat. This lever allows the seat to be adjusted forward or back when the lever is moved.

SCRUBBING SYSTEM OPERATING INSTRUCTIONS

THE ESP RECYCLING CONTROL PANEL

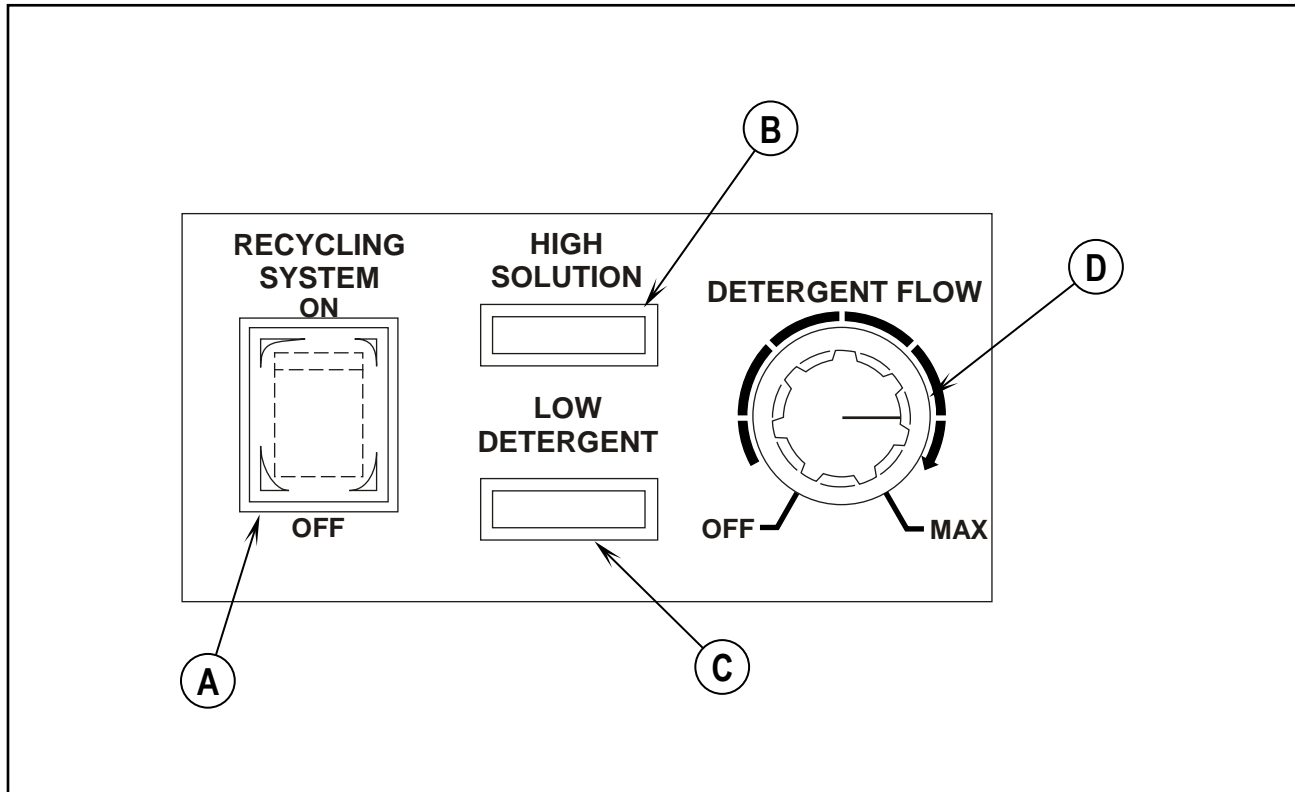


FIGURE 11

THE ESP RECYCLING SYSTEM ON/OFF SWITCH

See Figure 11. The ESP Recycling System ON/OFF Switch (A) turns the ESP recycling system on and off.

SOLUTION HIGH WARNING LIGHT

The Solution High Warning Light (B) will come on if the solution tank is too full of water from the recycling system.

DETERGENT LOW WARNING LIGHT

The Detergent Low Warning Light (C) will illuminate when the detergent tank is low, warning the operator to add detergent.

DETERGENT FLOW KNOB

The rotary Detergent Flow Knob (D) controls the detergent flow into the scrubbing solution. The operator may choose from any detergent setting, for light to heavy cleaning applications. The detergent light will illuminate when the detergent tank is low, warning the operator to add detergent.

SCRUBBING SYSTEM OPERATING INSTRUCTIONS

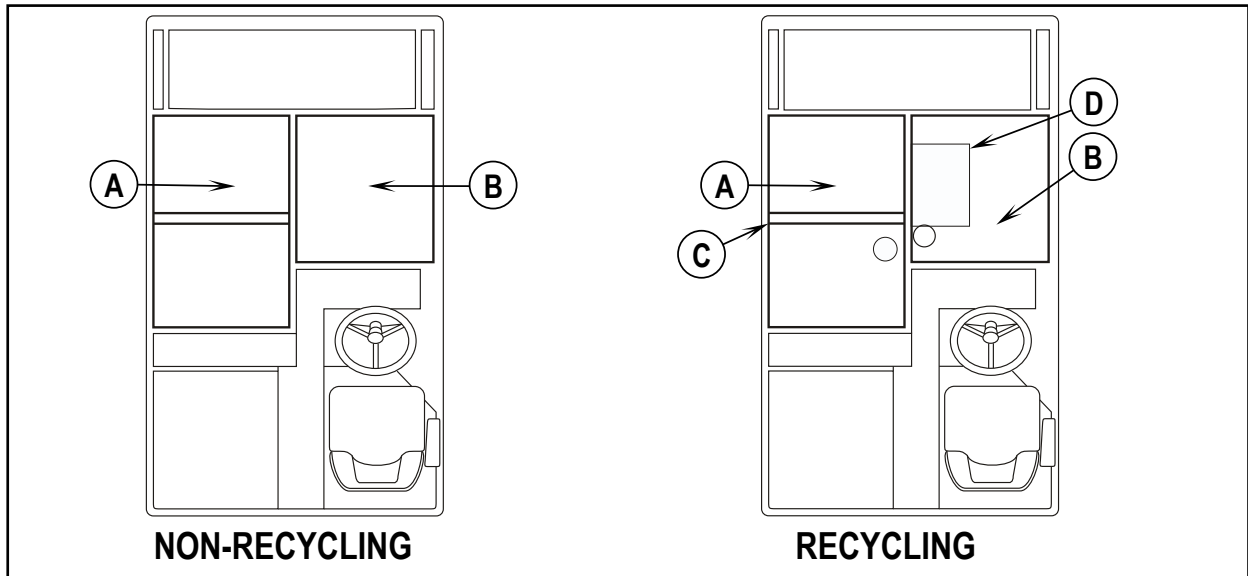


FIGURE 12

THE SCRUBBING SYSTEM - HOW IT WORKS

There are two scrubbing systems available for the 7765 machine, the non-recycling or standard scrubbing system and the recycling or ESP scrubbing system.

THE NON-RECYCLING OR STANDARD SCRUBBING SYSTEM - HOW IT WORKS

During the scrubbing process (shown in Figure 13), detergent solution water from the solution tank is fed to the solution line. There it is fed to the floor where three disc scrubbing brushes work to dislodge soil.

After scrubbing, the dirty solution is vacuumed from the floor and discharged into the containment chamber in the forward portion of the recovery tank, where a system of baffles helps to clarify the solution. Sensors in each tank will indicate by lights on the control panel when the water in the solution tank is too low or when the water in the recovery tank is too high.

- A Recovery Tank
- B Solution Tank
- C Baffle
- D Detergent Tank
- E Check Valve
- F Solution Pump
- G Orifice
- H Filter
- I Flow Valve
- J Autofil Valve
- K Detergent Pump
- L Scrub Brushes
- M Fill Coupling
- N Squeegee
- O Floor Contact
- P Solution Line
- Q Vacuum

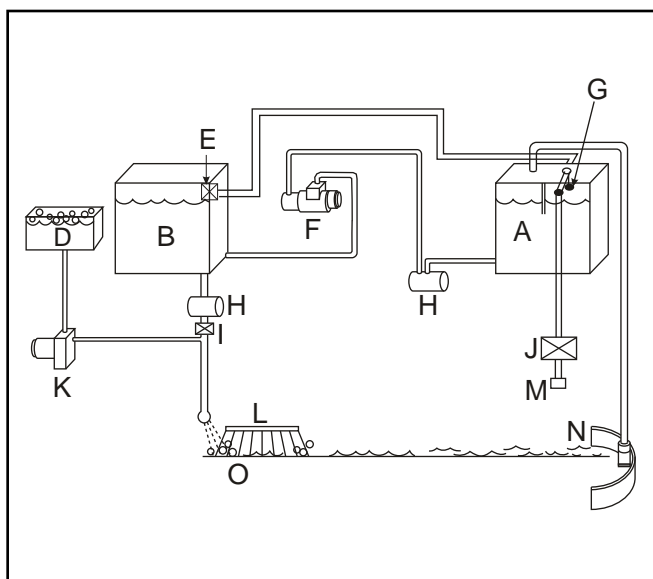


FIGURE 13

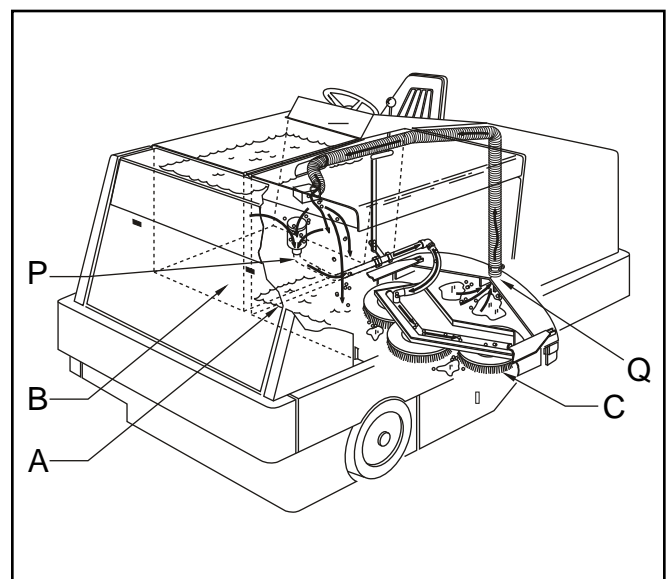


FIGURE 14

SCRUBBING SYSTEM OPERATING INSTRUCTIONS THE RECOVERY OR ESP SCRUBBING SYSTEM - HOW IT WORKS

During the scrubbing process (shown in Figure 15), filtered water from the solution tank is fed to the solution line, where it combines with detergent from the metering pump. This mixture is then fed to the floor where three disc scrubbing brushes work to dislodge soil.

After scrubbing, the dirty solution is vacuumed from the floor and discharged into the containment chamber in the forward portion of the recovery tank, where a system of baffles helps to clarify the solution on its way to the pumping chamber in the rear of the recovery tank. At intervals, a system of sensors activates the recycling pump, which sends filtered solution from the pumping chamber on its way to the solution tank. Here, it is ready to be mixed with fresh, metered detergent and repeat the cycle.

- A Recovery Tank
- B Solution Tank
- C Baffle
- D Detergent Tank
- E Check Valve
- F Solution Pump
- G Orifice
- H Filter
- I Flow Valve
- J Autofil Valve
- K Detergent Pump
- L Scrub Brushes
- M Fill Coupling
- N Squeegee
- O Floor Contact
- P Solution Line
- Q Vacuum

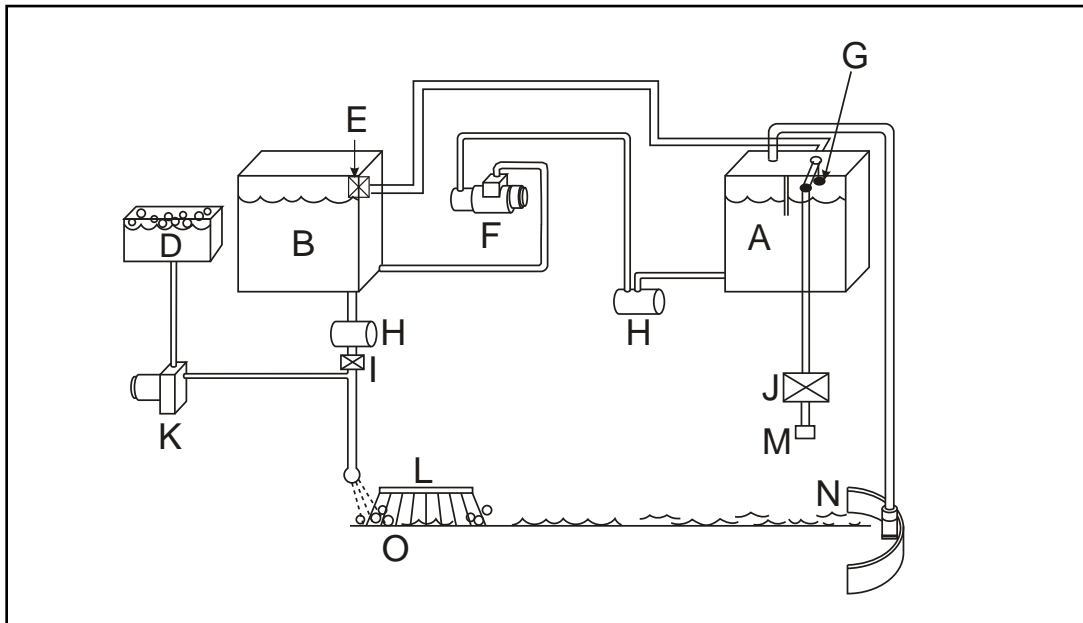


FIGURE 15

DUST CONTROL OPERATING INSTRUCTIONS
THE VARIABLE DUMP SWEEPING AND DUST CONTROL SYSTEMS - HOW THEY WORK

Variable Dump 7765 machines are equipped with a sweeping and dust control system. Figure 16 shows the highest position for the variable dump.

- AE Hopper Door Lever
- AF Hopper Lift Lever

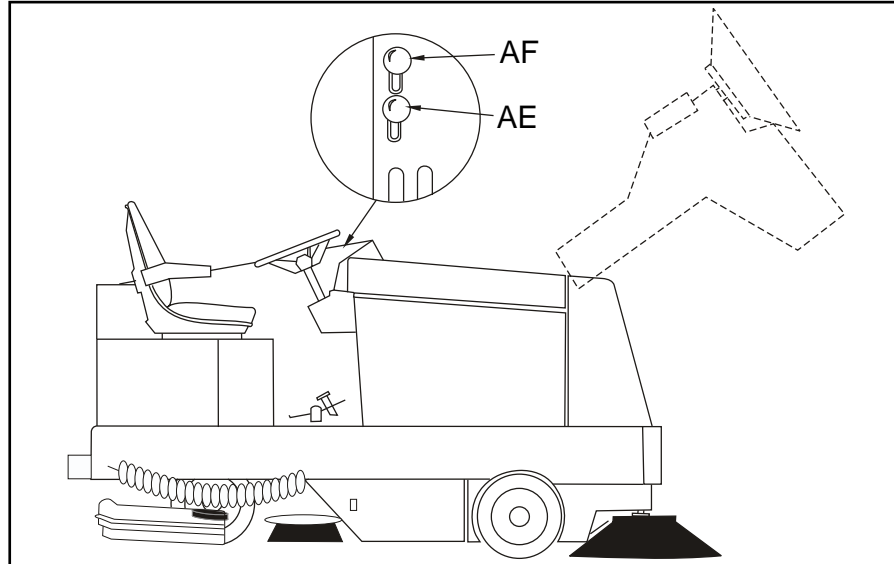


FIGURE 16

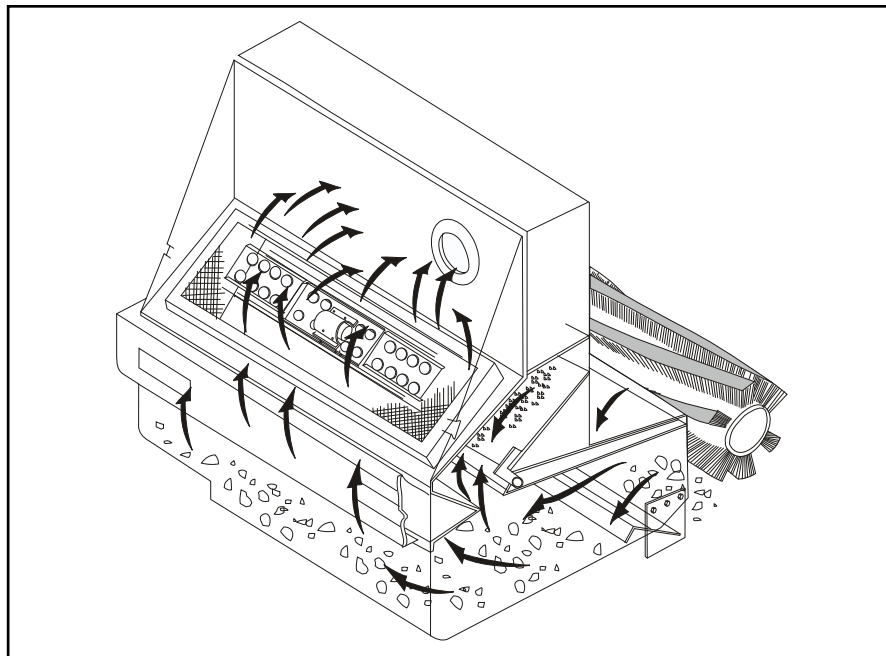


FIGURE 17

The debris from sweeping is thrown into the hopper (Figure 17). The baffle system that is built into the variable dump debris hopper is designed to minimize dust in the air while the machine is sweeping. The impeller vacuum fan pulls the lighter dust up and through a baffle system. The Pre-Clean Flap separates the heavier dust particles to an area below the filters. The dust filters capture the lighter dust particles. This allows the dust filters to remain cleaner and need less shaking to remove dust. When the dust filters become clogged the filter shaker switch should be pushed to start the dust shaker cycle. This will extend the life of the filters.

NOTE
TURN MAIN BROOM OFF FIRST

OPERATING INSTRUCTIONS FILLING THE SOLUTION TANK

NON-RECYCLING OR STANDARD SCRUBBING SYSTEM

1. Make sure the solution control lever is in the "Off" (rear) position.
2. Open the solution tank cover (right hand side).
3. Fill the tank with 100 gallons (378 L) of water and the correct mixture of Advance #100 Industrial Cleaner for the job.
4. Close the solution tank cover.

RECYCLING OR ESP SYSTEM

1. Make sure the solution control lever is in the "Off" (rear) position.
2. Open the solution tank cover (right hand side).
3. Fill the solution tank as outlined above with 100 gallons (378 L) of pure water.
4. Fill the detergent tank with 5 gallons (19 L) of Advance #100 Industrial Cleaner.
5. Close the solution tank cover.

NOTE

Fill recovery tank halfway with water for the ESP system

WARNING

To prevent over-sudsing and machine damage,
use only ADVANCE Industrial Cleaning Solution #100.

WARNING

DO NOT put gasoline, combustibile or other flammable material
in the solution, recovery or detergent tanks.

NOTE

Before starting the engine, perform the pre-start checklist.

PRE-START CHECKLIST

1. Clean engine air filter element if needed
2. Check engine oil level
3. Check radiator coolant level
4. Check hydraulic fluid level
5. Check fuel level
6. Check all systems for leaks
7. Check brakes and controls for proper operation

BEFORE STARTING ENGINE

1. Set parking brake
2. Make sure all controls are in the "Off" position

TO START ENGINE

1. Be sure accelerator and directional control pedal is in neutral.
2. Turn key to "On" position and hold it until the engine starts.
3. If engine fails to start after following the above procedures, refer to Engine Manual.

WARNING

The manufacturer does not advise storing the machine in below-freezing temperatures unless all fluids have been drained from the detergent, solution and recovery tanks and associated systems. When machine has been stored in below-freezing temperatures, run engine at lowest possible settings and let machine sit 5-10 minutes to warm engine and hydraulic oil.

OPERATING INSTRUCTIONS

POST-START CHECKLIST (ENGINE RUNNING)

1. Check main and side brooms to make sure they are free of debris which will inhibit rotation & pick-up.
NOTE: Always wear hand protection when cleaning debris from brooms and/or brushes.
2. Check squeegees to make sure there is no damage and they meet the floor.

TO TRANSPORT MACHINE (NO SCRUBBING OR SWEEPING)

1. Be sure the brooms, brushes (scrub deck) and squeegee are in the "Up" position with all other controls in the "Off" position.
2. Release parking brake.
3. Push throttle control up.
4. Push forward on the directional control pedal to place the machine in motion.
5. Vary your foot pressure on the directional control pedal to obtain desired travel speed.
6. To stop, allow directional control pedal to return to neutral (centered) position. (Pedal will automatically return to neutral when foot pressure is released). FOR NORMAL OPERATION, DEPRESS DIRECTIONAL CONTROL PEDAL WITH HEEL INTO NEUTRAL.
7. Push engine throttle down. Turn key to "Off".
8. Set parking brake.

TO BEGIN THE CLEANING OPERATION

1. Choose the mode of operation (recycling ESP or non-recycling STANDARD) as dictated by the machine fill or machine type.
2. Bring engine to full RPM.
3. Lower the main broom.
4. Lower the side broom.
5. Turn on the main and side brooms.
6. Sweep for the length of the machine.
7. Move recovery switch to the "On" position.
8. Lower the scrub brushes.
9. Lower squeegee to the "Lower" position.
10. Move solution control lever to the desired setting.
11. Turn on the Recovery Switch for the ESP Recycling system, if applicable.
12. Begin scrubbing operation.

Single sweep and scrub the average floor with light to medium soil. In this operation the cleaning is accomplished in one pass with simultaneous solution feed, sweeping, scrubbing and dirty water pick-up. The rate of solution feed and the speed of travel required will vary with floor condition. This knowledge will come with operator experience.

OPERATING INSTRUCTIONS HELPFUL HINTS FOR CLEANING OPERATION

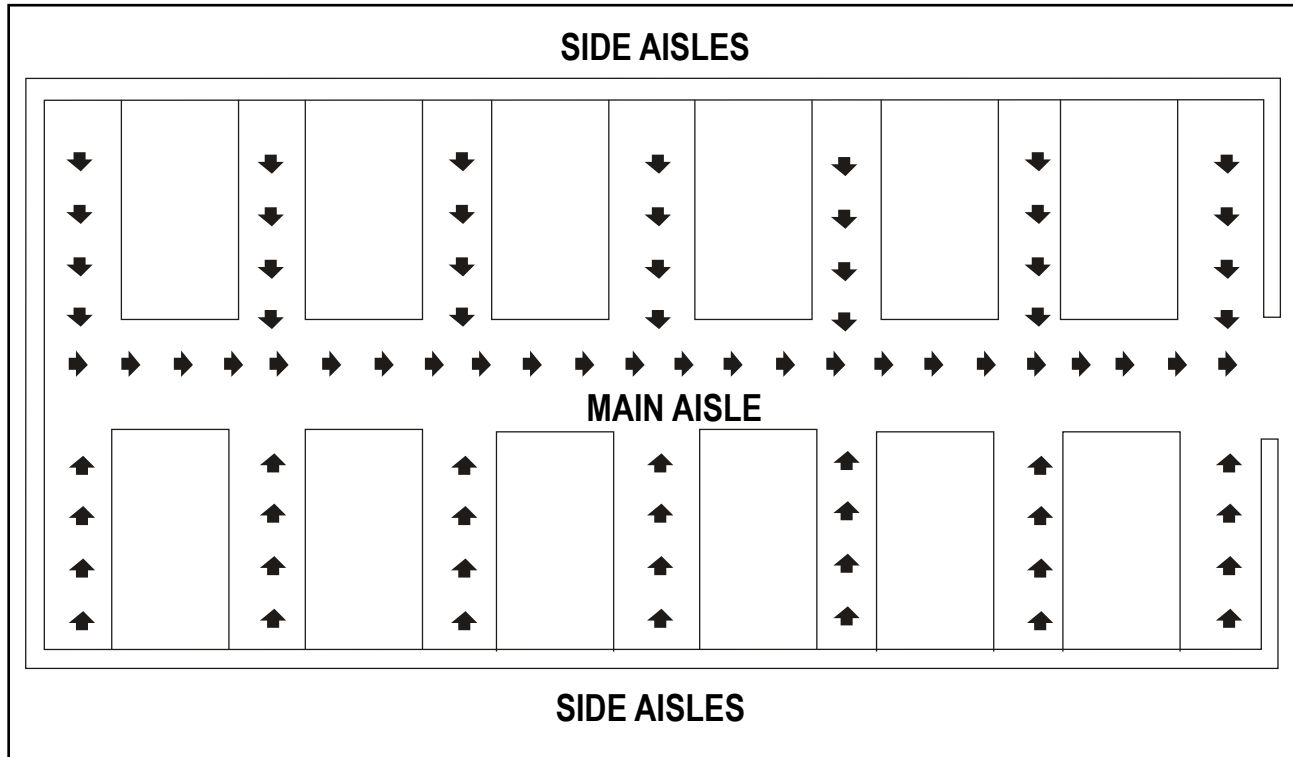


FIGURE 18

WARNING

Do not turn the steering wheel sharply when the machine is in motion. The sweeper is very responsive to movement of the steering wheel. Do not make sudden turns.

Scrub in straight paths. Do not bump posts. Do not scrape the sides of the machine.

When the machine is in motion, do not push the directional/speed control pedal all the way forward. This is the same as starting in "High" and will put a strain on the motor and drive system.

1. Plan your sweeping and scrubbing in advance. Try to arrange long runs with minimum stopping and starting. Sweep debris from narrow aisles out into main aisle ahead of time. Do an entire floor, or section at one time.
2. Pick up oversize debris before sweeping.
3. Allow a few inches overlap of sweep and scrub paths. This will eliminate leaving dirty patches.
4. Don't turn steering wheel too sharply when machine is in motion. The machine is very responsive to movement of the steering wheel - so avoid sudden turns.
5. Try to follow as straight a path as possible. Avoid bumping into posts or scraping the sides of the machine.
6. When placing the machine in motion, avoid slamming the directional control pedal all the way forward quickly. This is equivalent to starting out in "HIGH" and puts needless strain on the engine and drive system.
7. Always allow the machine to warm up before operating in cold temperatures.
8. Periodically turn sweeping (main) broom end for end to prevent the bristles from "setting" in one direction.

NOTE

Replace sweeping broom when bristles are worn to 3-inch (8-cm.) length. Replace disc brushes when bristles are reduced to 1/2 inch (1.3 cm) in length. Replace squeegee blades when all usable edges have become rounded with wear, impairing the wiping action.

POST-OPERATION & CLEAN-UP INSTRUCTIONS

TO STOP THE CLEANING OPERATION

Discontinue the cleaning operation whenever a solution or recovery warning or stop light is illuminated.

The solution light will illuminate when the solution tank is empty. At this time, discontinue the scrubbing cycle, put all controls in position for transport and drive to the drain area. See instructions on how to drain and clean the recovery and solution tanks, and empty the debris hopper.

The recovery warning light will illuminate approximately 5 minutes before loss of vacuum to the recovery tank. This warning period should give ample time to complete the scrubbing cycle and transport or scrub to the drain area.

NOTE

After stopping the engine, perform this post-operation checklist.

POST-OPERATION CHECKLIST

- | | |
|---|--|
| 1. Clean debris hopper. | 8. Check manifold and vacuum hoses for debris or obstructions, backflush if necessary. |
| 2. Check sweeping broom for wear or damage. | 9. Check scrub brushes for wear or damage. |
| 3. Check all flaps for wear, damage and adjustment. | 10. Check rear and side squeegees for wear, damage and adjustment. |
| 4. Drain and clean solution tank (ESP system) | 11. Fill fuel tank. |
| 5. Clean solution filter screen (ESP system) | 12. Check all systems for leaks. |
| 6. Drain and clean recovery tank. | |
| 7. Clean recovery tank screens and floats. | |

TO DRAIN SOLUTION TANK (RECYCLING OPERATION) (ESP SYSTEM)

Draining the solution tank is accomplished by a 4-foot (92 cm.) long drain hose located under the frame channel. To drain the tank, lower the hose, remove the plug and drain. When the draining operation is completed, clean the solution tank as outlined below.

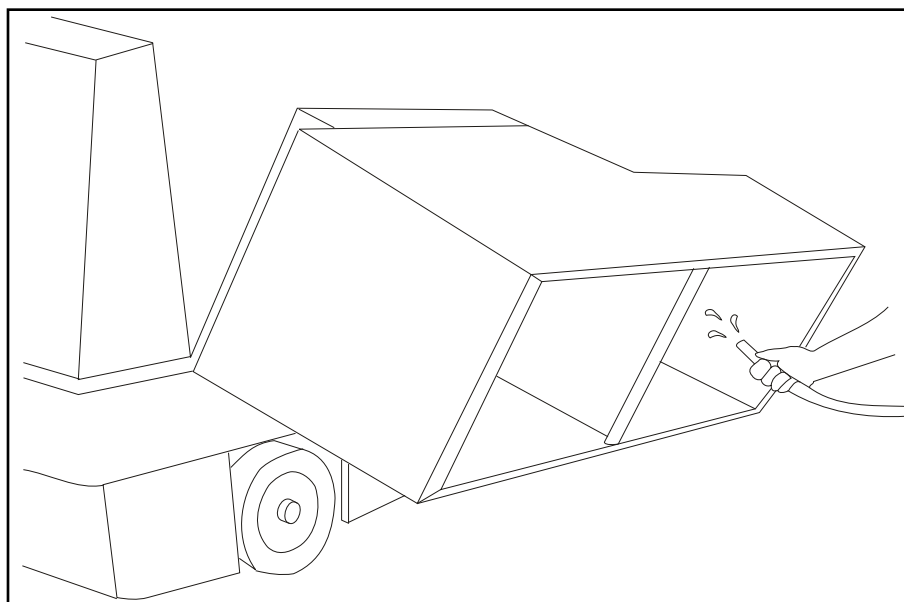


FIGURE 19

TO CLEAN SOLUTION TANK (RECYCLING OPERATION) (ESP SYSTEM)

Cleaning the solution tank is simplified by the large access cover. Flush all deposits from the tank, also flush all probes and the solution line strainer to remove any deposits - remove strainer if necessary. When the cleaning operation is completed, plug and replace the hose. Close and secure covers.

TO DRAIN RECOVERY TANK

A 4-foot long drain hose for the recovery tank is located under the frame channel. To drain the tank, lower the hose, remove the plug and drain. Open the recovery tank and remove the drain plug. When the draining operation is completed, flush and clean the recovery tank as outlined on the next page.

POST-OPERATION & CLEAN-UP INSTRUCTIONS

TO CLEAN RECOVERY TANK

The large access cover on the recovery tank simplifies the cleaning process. Once the recovery tank lid is opened, tip out the tank. With the recovery tank in the tipped out position (Figure 19), flush all sand, sludge, debris, etc. out of the tank with a water hose, then replace the tank and flush the manifold, ball float screen and level switch to remove any deposits. The tank lid should be removed and cleaned approximately every 50 running hours.

WARNING

Do not attempt to flush large amounts of tank debris through the drain hose - This will cause clogging and hamper future drainage. Always flush the recovery tank with clean water at the end of each cleaning cycle. Never let debris accumulate, settle and harden in the tank, tank lid, or on associated hardware.

AE Hopper Door Lever

AF Hopper Lift Lever

AN Tow Control Shaft

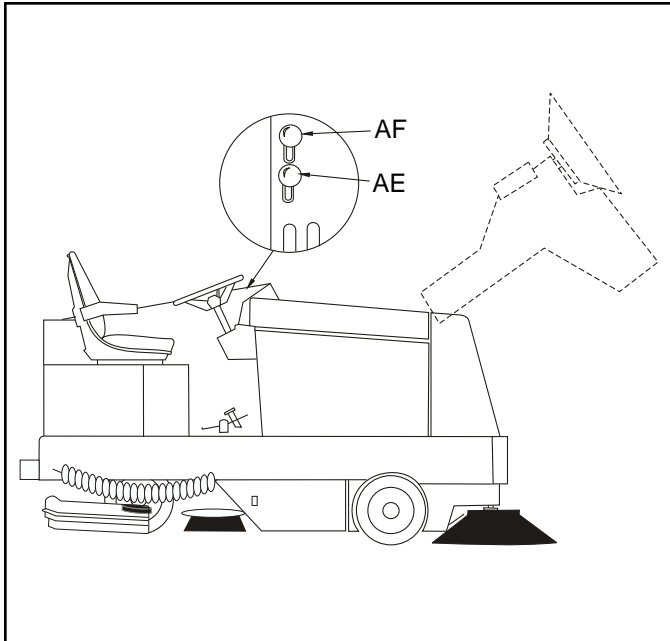


FIGURE 20

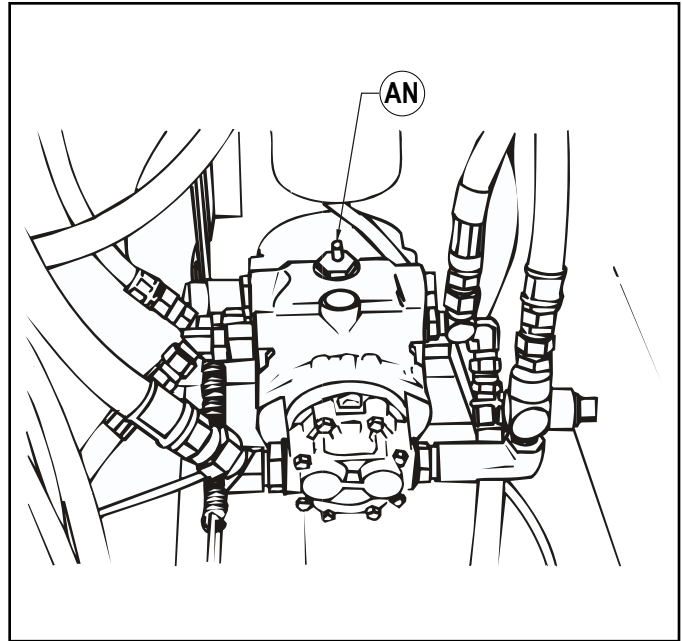


FIGURE 21

POST-OPERATION & CLEAN-UP INSTRUCTIONS**TO EMPTY DEBRIS HOPPER**

1. Transport or sweep and scrub to the dump site.
2. Close the hopper dump door with the hopper dump lever.
3. Raise the hopper with the hopper lift lever to the desired level.
4. Move the machine forward, over the dumpster, if necessary.
5. Open the hopper dump door with the hopper dump lever.
6. Lower the hopper with the hopper lift lever to the normal operation position.

NOTE (Variable Dump Only)

The sweep functions - main broom, side broom, dust fan, and filter shakers - only work when the hopper is down and the dump door is open.

TOWING INSTRUCTIONS (SEE FIGURE 21)

1. Locate Tow Control shaft Extension (**AN**) as shown in Figure 21. (See arrow)
2. To open hydraulic circuit to wheel drive motor, turn shaft 90° so that the flats on the shaft are parallel to the front axle.
3. After towing, turn shaft 90° so that the flats on the shaft are parallel to the pump centerline.

SERVICE CHART

For service assistance, consult the yellow pages under power sweepers and scrubbers. For best performance, replace worn parts with genuine Advance parts.

EVERY 8 HOURS or DAILY operation check and clean/adjust if necessary:

1. Inspect panel filters for damage and clean.
2. Check engine oil level.
3. Check hydraulic fluid level.
4. Check radiator core for blockage.
5. Check all flaps for wear or damage.
6. Check brooms for wear or damage, adjust as required.
7. Check panel filters (clean side) for leakage.
8. Check brake pedal and parking brake.
9. Check for LP/Diesel odor at connections.
10. Check water separator (Diesel).
11. Check engine air cleaner.
12. Check hydraulic oil filter.
13. Check coolant level.

50 HOUR (WEEKLY) MAINTENANCE CHECKLIST

14. Solution tank (recycling or ESP system).
15. Solution filter screen (recycling or ESP system).
16. Recovery tank. (Include cleaning of tank lid.)
17. Recovery tank screens and filters.
18. Scrub brushes for wear or damage.
19. Rear and side squeegees for wear or damage.
20. Check tension on all belts.
21. Check battery electrolyte level. (Unless Maintenance-Free Battery)
22. Check all hydraulic hoses for wear or cuts.
23. Rotate main broom (end-to-end).
24. Clean or replace panel filters.

Perform recommended engine maintenance (see engine manual if applicable).

100 HOUR MAINTENANCE CHECKLIST

25. Change crankcase oil.
26. Change engine oil filter.
27. Lubricate drive wheel, I swivel wheel bearings, and steering rack guide (engine side above rear wheel).
MAKE SURE TO **GREASE ZERK** LOCATED ABOVE PINION RACK (See Rear Wheel Assy., Parts List)
28. Lubricate front wheel bearings.
29. Lubricate all moving joints.
30. Check brake pads for wear and adjust accordingly.
31. Lubricate all 6 (Diesel)/4 (Gas/LP) DANHOUSER Bushings with NAPA #765-1363 or equivalent anti-seize lubricant. The bushings are located on the steering, scrub deck lift, squeegee lift, main broom lift, both threaded ends of the throttle cable and variable dump door cylinders.

Perform recommended engine maintenance (see engine manual if applicable).

250 HOUR MAINTENANCE CHECKLIST

32. Lubricate squeegee casters.
33. Clean solution tank and filter screen.
34. Replace engine air filter element.
35. Flush radiator coolant system.
36. Remove spark plug - clean or replace (Gas/LP).
37. Check distributor and points - service or replace (Gas/LP).
38. Clean and lubricate governor linkage (Diesel).
39. Replace fuel filter.
40. Replace hydraulic filter element.

Perform recommended engine maintenance (see engine manual if applicable).

400 HOUR MAINTENANCE CHECKLIST

41. Clean hydraulic reservoir.
42. Clean hydraulic intake strainer.
43. Change hydraulic fluid.

Perform recommended engine maintenance (see engine manual if applicable).

SERVICE CHART

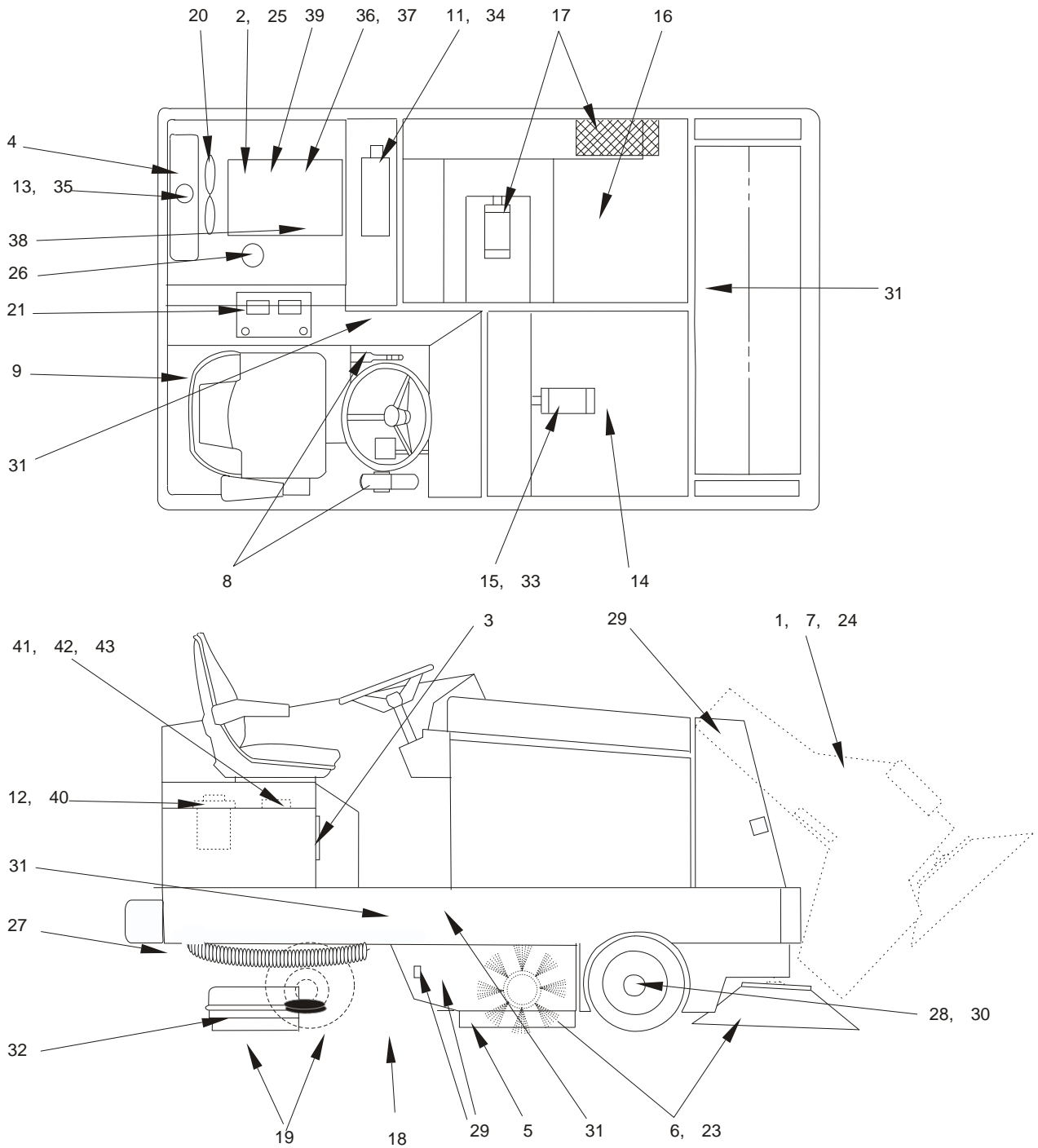


FIGURE 22

GENERAL MACHINE MAINTENANCE

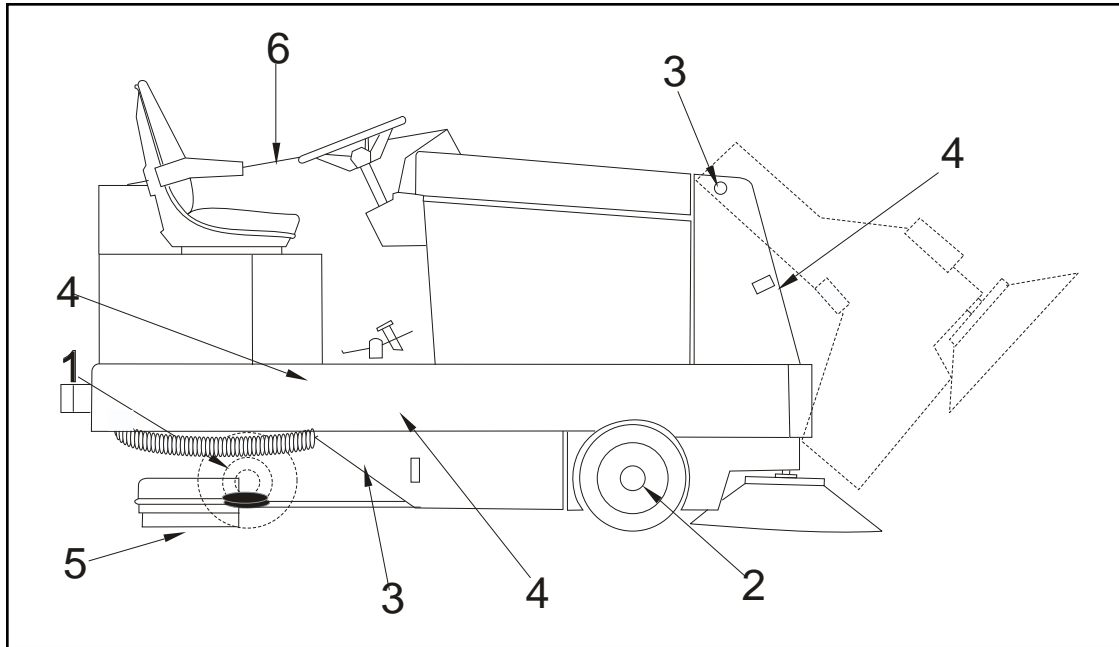


FIGURE 23

LUBRICATION

100 Hour Lubrication

1. Lubricate drive wheel swivel, wheel bearings and steering rack guide.
2. Lubricate front wheel bearings.
3. Lubricate all moving joints.
4. Lubricate all 6 (Diesel)/4 (Gas/LP) DANHOUSER Bushings with NAPA #765-1363 or equivalent anti-seize lubricant. The bushings are located on the steering, scrub deck lift, squeegee lift, main broom lift, both threaded ends of the throttle cable and the variable dump door cylinders.

250 Hour Lubrication

5. Lubricate squeegee casters.
6. Lubricate governor linkage (Diesel).

Use good grade multipurpose grease. Avoid using too much grease.

GENERAL MACHINE MAINTENANCE

ENGINE

Read and follow all the instructions in the Engine Manual Section. Due to the nature of work being done by the machine, extra care must be taken to protect the engine from these elements. Check the oil each day before starting operations. Be sure to check the air filter cap's dust collector and empty as necessary. Also check the air cleaner and replace as conditions demand. Do not let the engine become coated with dust and dirt.

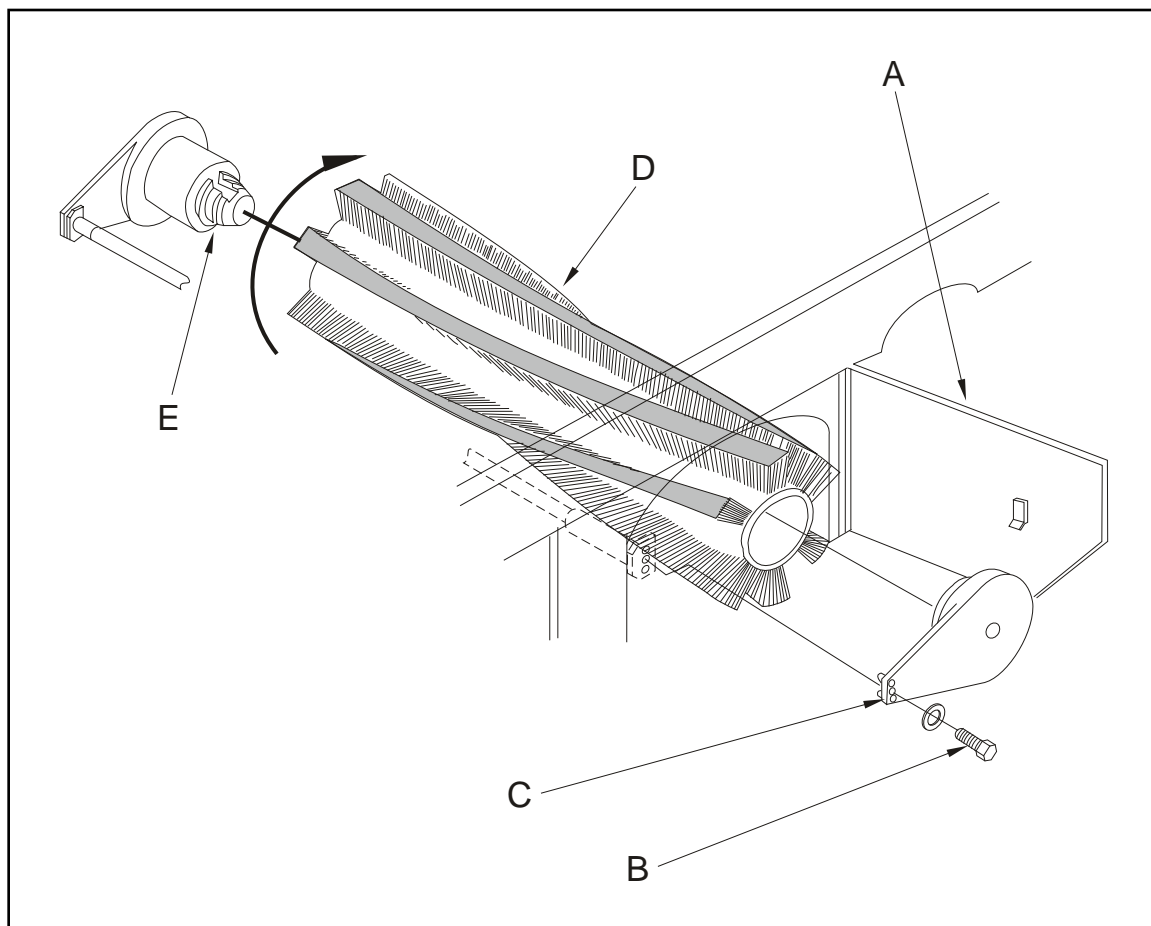


FIGURE 24

TO REMOVE MAIN SWEEPING BROOM

1. Open the Right Broom Chamber Door (A).
2. Put the main broom control in the "SWEEP" position.
3. Remove the Retaining Bolt (B).
4. Remove the Idler Arm Assembly (C).
5. Remove the Main Broom (D) and discard.
6. Put a new main broom in the broom chamber.
7. Rotate the new broom to the right on the Drive Hub (E) until it engages the drive hub broom tabs.
8. Put the Idler Arm Assembly (C) in place.
9. Put the Retaining Bolt (B) in place and tighten.
10. Close the Broom Chamber Door (A).
11. Start the engine.
12. Put the broom lever in the "SWEEP" position.
13. Let the broom sweep in place for 30 seconds.
14. Put the broom lever in the "UP" position.
15. Back the machine off the test spot.
16. Inspect the polished area where the broom swept, for broom bristle contact with the floor. The area of broom bristle contact with the floor should be 2 to 3 inches (5 to 8 cm.) wide.

GENERAL MACHINE MAINTENANCE

MAIN BROOM LEVEL ADJUSTMENT

The main broom level is factory set and shouldn't need adjustment, if the level gets out of adjustment and the broom bristle contact pattern is not an even 2" to 3" (5 to 8 cm.) wide. Adjust the broom arm lift frame. The frame is supported by two flange bearings. These bearings are located inside the broom doors. The carriage bolts on the two end flanges must be loosened. The frame can then be leveled and the bolts tightened.

HOW TO ADJUST MAIN BROOM WEAR PATTERN

When the bristles of the broom begin to wear out the following adjustments may be made to keep a 2-inch (5-cm.) broom pattern.

1. Loosen the nut located in the engine compartment.
2. Set the broom lever to the "Sweep" position and adjust the lock nut to obtain a 2-inch (5 cm) broom pattern. The lock nut will move the adjusting rod that adjusts the sweeping pattern of the broom for wear.

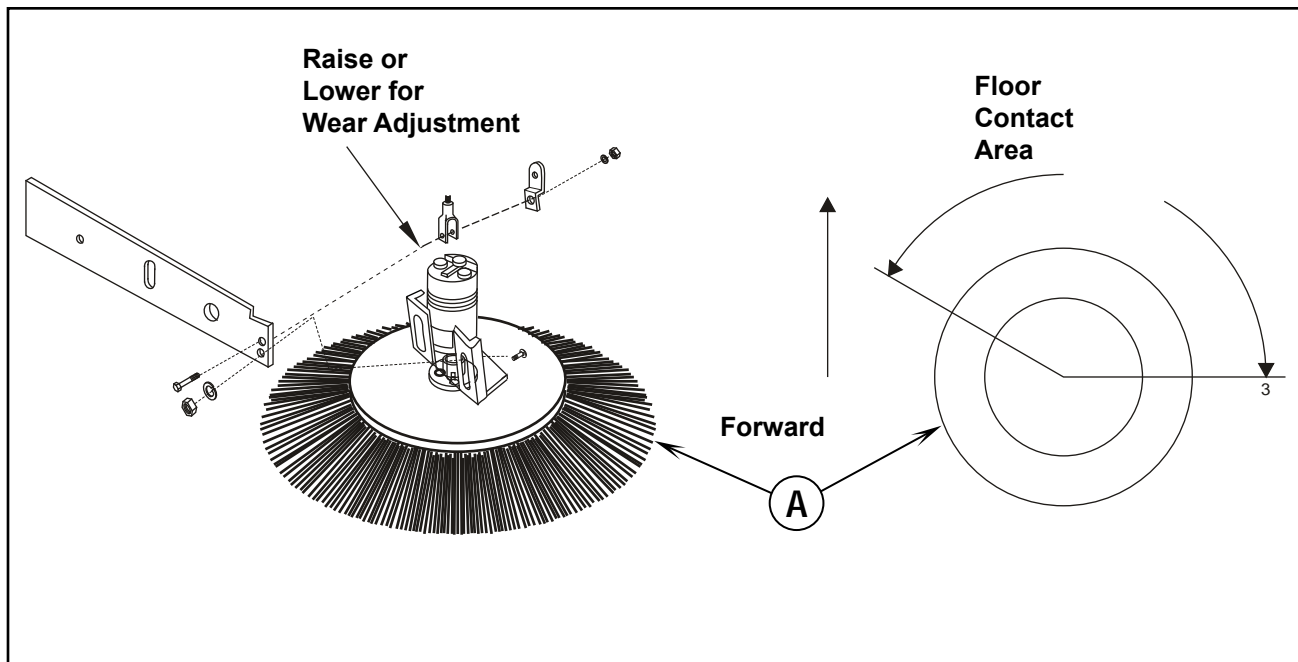


FIGURE 25

SIDE BROOM LEVEL ADJUSTMENT

As the Side Broom (A) wears, loosen the two wear adjusting bolts and slide the broom-motor assembly into a position so that the broom contacts the floor at a 3 degree angle when lowered as shown in Figure 25.

SIDE BROOM REPLACEMENT

Put the side broom lift control in the "UP" position. Remove the retaining screw in the bottom middle of the side broom. Remove the side broom. Transfer the side broom flange spacer and screws to the replacement side broom. Put the replacement side broom on the shaft. Put the retaining screw in position and tighten.

GENERAL MACHINE MAINTENANCE

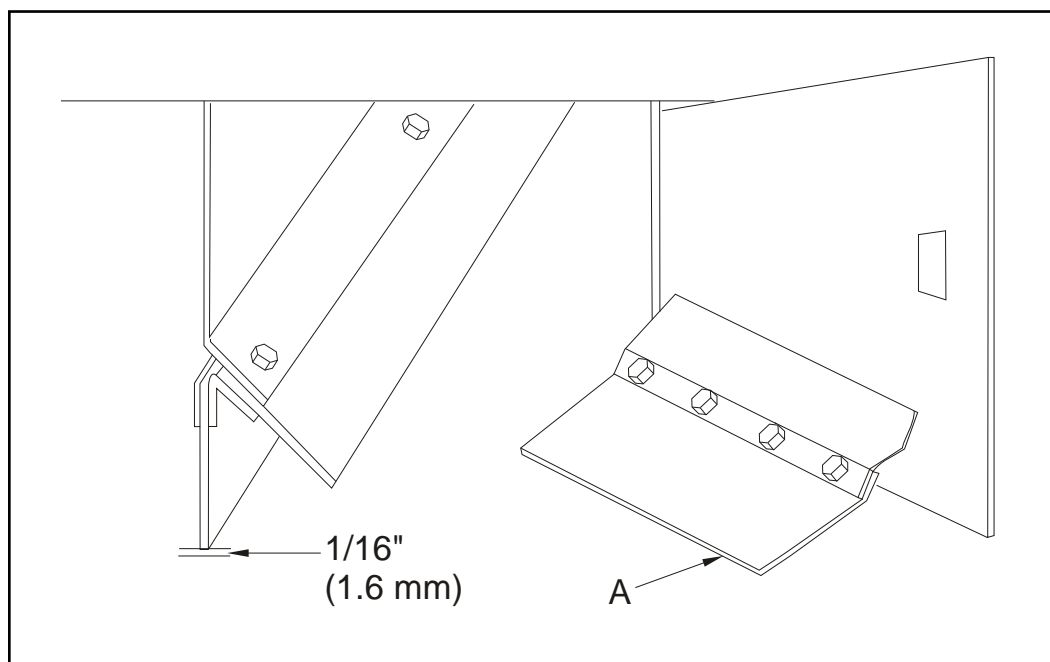


FIGURE 26

FLAPS

The urethane and rubber flaps are susceptible to damage and should be inspected regularly and maintained in good condition. The side flaps are adjustable and should be maintained at approximately 1/16" (1.6 mm.) above the floor. Set flap even with the floor (**A**). The front and rear flaps have no provision for adjustment.

All flaps should be replaced when worn or damaged to such an extent that they couldn't perform their function.

GENERAL MACHINE MAINTENANCE

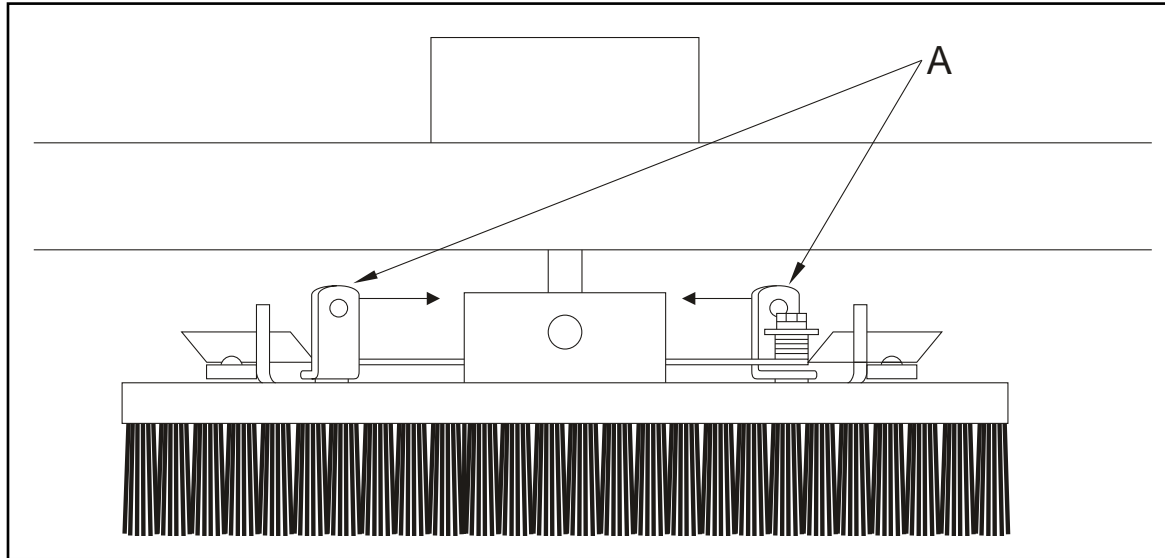


FIGURE 27

SCRUB BRUSH REPLACEMENT

1. Raise the scrub brush deck by pressing the “Scrub Brush” Switch on the instrument panel.
2. Press the Brush Latches (A) in to release the scrub brush.
3. Remove old scrub brush.
4. Snap new brush into place.

COVERS AND LATCHES

The covers have been designed to allow access, either by hinge or removal, to all areas of the machine. No maintenance is required. For lubrication of latches see Lubrication Section.

SOLUTION WARNING LIGHT

The solution warning light will illuminate when the solution tank is empty. This part of the level control system requires no maintenance. If the system fails to operate, consult the Electrical Troubleshooting Guide.

RECOVERY WARNING LIGHT

The recovery warning will illuminate approximately 5 minutes before loss of vacuum to the recovery tank. This part of the level control system requires no maintenance, except for daily cleaning of the tank level switch. If the system fails to operate, consult the Electrical Troubleshooting Guide.

SOLUTION CONTROL (NON-RECYCLING OR STANDARD)

The solution control lever controls the amount of solution applied to the scrubbing brushes. Except for a few drops of oil applied to the lever pivot every 100 hours, the system should require no major maintenance.

The solution control should shut off completely with the lever in the (rear) “off” position. If complete shut off does not occur, the control cable should be adjusted.

SOLUTION CONTROL (RECYCLING OR ESP SYSTEM)

In the recycling mode, the solution control lever is also used to activate the detergent pump. If the detergent pump fails to operate (engine running) when the solution control lever is moved into the low to high range, first check the circuit by manually activating the switch. If the detergent pump does not operate at this time, a further electrical or mechanical check is indicated. (See Electrical Troubleshooting Guide or Detergent Pump Troubleshooting).

GENERAL MACHINE MAINTENANCE

RECYCLING PUMP ESP SYSTEM

The recycling pump is located directly behind and under the recovery tank. The pump is electric and except for daily cleaning of the pump intake screens, it requires no regular maintenance.

NOTE

Do not run pump dry. The unit depends on the liquid pumped for lubrication.

RECYCLING (ESP) PUMP STORAGE

Always drain pump for extended storage, especially when freezing temperatures may be encountered.

REAR SQUEEGEE

The squeegee will require service when the inner edges of the blades become round with wear, impairing the wiping action or water pickup. To service the rear squeegee use the following steps:

1. Loosen the four aluminum knobs item **10**, (these hold the squeegee tool to the squeegee support).
2. Remove the squeegee tool and turn upside down to service the blades or caster wheels. The squeegee blades are designed to flip over and use another unworn edge (items **5 & 6**).

TO SERVICE THE BLADES:

1. Loosen the clamp bolts, which clamp items **8 & 9** together.
2. Loosen far enough to slip the end clamp brackets off the squeegee tool. This will allow flipping the blades or installing new blades.
3. Install blades so that outer blade is 3/16" (4.7 mm) longer than inner blades, this is achieved by assembling the top edge of the blade against the squeegee tool weldment.
4. Reinstall squeegee clamp band and tighten clamp bolt tight.

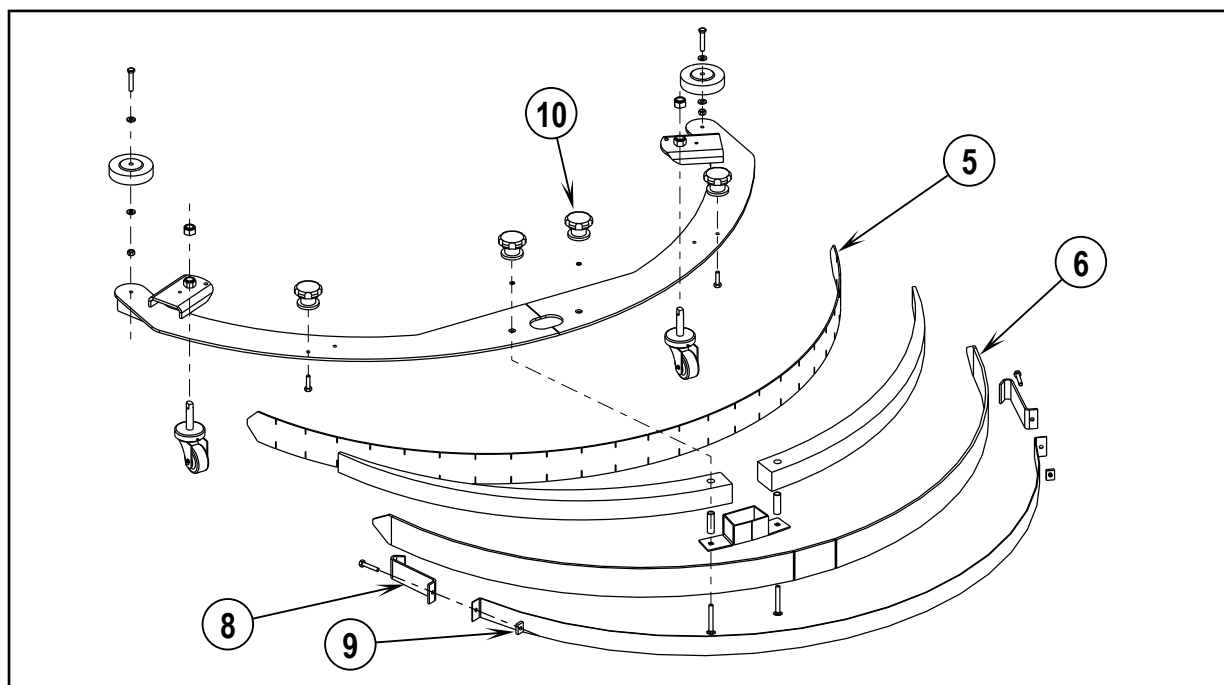


FIGURE 28

SQUEEGEE CASTER WHEELS

Grease caster wheel zerks (2) on each caster should be greased each time the blades are serviced for a total of 3 caster wheels.

ADJUSTING CASTERS

Lower squeegee on a flat surface, making sure the rear squeegee blade is perpendicular to the surface. Adjust caster 3/16" above the flat surface, Lock jam nuts.

GENERAL TROUBLESHOOTING

<u>PROBLEM</u>	<u>PROBABLE CAUSE</u>	<u>REMEDY</u>
Sweeping does not function	<ol style="list-style-type: none"> 1. Dump door closed 2. Hopper is raised 3. Hopper switch out of adjustment 	<ol style="list-style-type: none"> 1. Open dump door 2. Lower hopper 3. Adjust hopper switch
Poor water pick up at squeegee	<ol style="list-style-type: none"> 1. Side or rear squeegee are worn or damaged 2. Clogging in water pick up 3. Air leaks in suction hose and connection 4. Air leaks at recovery tank cover and/or manifold gaskets 5. Poor vacuum 6. Drain hose or drain plug leakage or not closed properly. 	<ol style="list-style-type: none"> 1. Examine squeegee rubber blade for cuts or worn spots. 2. Repair or replace hose and connection 3. Repair or replace gaskets 4. Check seal on recovery tank 5. Check vacuum motor 6. Close, repair or replace drain plug in recovery tank.
Water spill from squeegee	<ol style="list-style-type: none"> 1. Side squeegee blades, poor contact with floor. 2. Squeegee blades worn or damages 3. Too much solution being applied before making turns. 4. Brushes rotating opposite direction 	<ol style="list-style-type: none"> 1. Readjust blades for proper contact 2. Replace or adjust 3. Shut off solution flow 5' to 10' 4. Check position of switches.
Lack of suction at rear	<ol style="list-style-type: none"> 1. Clogged suction hose or pick up tool 2. Loose connections between suction hose and squeegee or between hoses or manifold inlet. 3. Vacuum motor not operating 4. Vacuum float cage clogged 5. Vacuum float shut off 	<ol style="list-style-type: none"> 1. Disconnect suction hose from squeegee; flush squeegee & hoses. 2. Check all hose connections for looseness or damage. 3. Check hydraulic motor in recovery 4. Clean perforated metal thoroughly 5. Excessive solution in recovery drain tank. Excessive foam build up, change cleaning chemical mixture. Use Advance approved materials.

GENERAL TROUBLESHOOTING

<u>PROBLEM</u>	<u>PROBABLE CAUSE</u>	<u>REMEDY</u>
Poor scrubbing	<ol style="list-style-type: none"> 1. Worn scrubbing brushes 2. Incorrect method of operation 3. Wrong cleaning agent or mixture 4. Poor solution distribution 	<ol style="list-style-type: none"> 1. Inspect brushes. If worn to ½" (1.3cm) or less, replace all 3 brushes 2. Check scrubbing procedures, brush pressure, type of brush, solution flow, & cleaning chemical used. For extreme conditions double scrubbing may be necessary. 3. Use Nilfisk recommended materials 4. Clean out distribution tube & metering holes to brushes. Check feed hose & clean if necessary. Check valve & cable control system.
Engine runs, but machine will not move on level ground	<ol style="list-style-type: none"> 1. Foot pedal and/or linkage jammed or not adjusted 2. Front wheels jammed or brakes locked 3. Hydraulic pump trouble 4. Rear wheel hydraulic motor, broken shaft key, broken shaft, etc. 	<ol style="list-style-type: none"> 1. Check pedal linkage 2. Check wheels and brakes 3. Check & repair pump, check tow valve. See CESSNA information. 4. Check & repair. See Char-Lynn information
Machine moves slowly	<ol style="list-style-type: none"> 1. Low hydraulic oil level 2. Brake dragging 3. Hydraulic oil temp, too high 4. Worn hydraulic pump or drive wheel motor 	<ol style="list-style-type: none"> 1. Add oil to reservoir 2. Check brakes 3. Check oil level, add SAE 5 (FORD Type F) ATF, if required 4. See hydraulic CESSNA
Hydraulic pump making excessive noise	<ol style="list-style-type: none"> 1. Clogged inlet strainer or suction line 2. Air bubbles in hydraulic fluid 3. Hydraulic pump is worn or damaged 	<ol style="list-style-type: none"> 1. Clean inlet strainer. Drain & flush reservoir, if oil is dirty. Refill with clean SAE 5 (FORD Type F) ATF. 2. Check for low hydraulic fluid level, leaking fittings or hoses 3. See CESSNA Pump Section

A-36 / ENGLISH

TECHNICAL SPECIFICATIONS (as installed and tested on the unit)

Model		7765 Petrol (Variable Dump)	7765 LPG (Variable Dump)
Model No.		56514925	56514926
Sound Pressure Level (IEC 60335-2-72: 2002 Amend. 1:2005, ISO 11201)	dB (A)	87	87
Sound Power Level (IEC 60335-2-72: 2002 Amend. 1:2005, ISO 3744)	dB (A)	Lwa 109.0	Lwa 109.0
Total Weight	lbs/kg	4,350 / 1973	4,350 / 1973
Vibrations at the Hand Controls (ISO 5349-1)	m/s ²	0.70 m/s ²	0.70 m/s ²
Vibrations at the Seat (EN 1032)	m/s ²	0.20 m/s ²	0.20 m/s ²
Gradeability			
Transport		14.1% (8°)	14.1% (8°)
Cleaning		10.5% (6°)	10.5% (6°)

Model		7765 Diesel (Variable Dump) 7765 LPG (Variable Dump)	7765 Petrol (Manual Dump) 7765 LPG (Manual Dump) 7765 Diesel (Manual Dump)
Model No.		56514927 56514931	56514928 56514929 56514930
Sound Pressure Level (IEC 60335-2-72: 2002 Amend. 1:2005, ISO 11201)	dB (A)	87	87
Sound Power Level (IEC 60335-2-72: 2002 Amend. 1:2005, ISO 3744)	dB (A)	Lwa 109.0	Lwa 109.0
Total Weight	lbs/kg	4,350 / 1973	3,900 / 1769
Vibrations at the Hand Controls (ISO 5349-1)	m/s ²	0.70 m/s ²	0.70 m/s ²
Vibrations at the Seat (EN 1032)	m/s ²	0.20 m/s ²	0.20 m/s ²
Gradeability			
Transport		14.1% (8°)	14.1% (8°)
Cleaning		10.5% (6°)	10.5% (6°)

ÍNDICE

	Página
Índice B-2 - B-3	
Introducción	B-4
Introducción.....	B-4
Componentes y servicio.....	B-4
Placa de identificación.....	B-4
Desembalaje.....	B-4
Funcionamiento de la máquina	B-5
Preparación de la máquina para su uso.....	B-5
Precauciones y advertencias	B-6
Uso de los controles e indicadores	B-8 – B-15
Interruptor de encendido.....	B-8
Interruptor de iluminación.....	B-8
Intermitente de giro (opcional).....	B-9
Interruptor de bujía de calentamiento.....	B-9
Botón pulsador del claxon.....	B-9
Elevación del cepillo lateral.....	B-9
Interruptor del cepillo principal.....	B-10
Interruptor del cepillo lateral.....	B-10
Interruptor de control del polvo.....	B-10
Interruptor del agitador del filtro.....	B-10
Indicador de temperatura del agua.....	B-11
Medidor de horas de funcionamiento.....	B-11
Indicador de combustible.....	B-11
Manómetro del aceite.....	B-11
Voltímetro.....	B-11
Interruptor de cepillos de fregado.....	B-12
Interruptor de rotación de los cepillos.....	B-12
Interruptor de presión de los cepillos.....	B-12
Interruptor de la hoja de la rasqueta.....	B-12
Luz de advertencia de mucha recuperación.....	B-12
Luz de advertencia de poca solución.....	B-12
Elevación de la tolva.....	B-13
Brazo de fijación de seguridad de la tolva.....	B-13
Puerta de descarga de la tolva.....	B-13
Tolva de descarga manual.....	B-13
Control de la solución.....	B-13
Control de elevación del cepillo de barrido.....	B-13
Acelerador.....	B-14
Luz de comprobación del motor.....	B-14
Freno de estacionamiento.....	B-14
Freno de pedal.....	B-14
Pedal acelerador y de control direccional.....	B-15
Interruptor de alarma de marcha atrás.....	B-15
Ajuste del asiento.....	B-15

ÍNDICE

	Página
Instrucciones de uso del sistema de fregado.....	B-16 – B-18
Instrucciones de uso del sistema ESP.....	B-16
Panel de control de reciclaje ESP	B-16
Interruptor de encendido/apagado del sistema de reciclaje ESP ..	B-16
Luz de advertencia de mucha solución	B-16
Luz de advertencia poco detergente	B-16
Botón de flujo de detergente	B-16
El sistema de fregado: cómo funciona	B-17
El sistema de fregado: cómo funciona	B-17
Sistema de fregado con recuperación o ESP: cómo funciona	B-18
Instrucciones de uso del control del polvo	B-19
El sistema de barrido y control del polvo: cómo funciona	B-19
Instrucciones de uso.....	B-20 – B-22
Llenado del depósito de la solución: sin reciclaje (estándar)	B-20
Llenado del depósito de la solución: ESP	B-20
Lista de comprobación previa a la puesta en marcha	B-20
Antes de poner en marcha el motor	B-20
Puesta en marcha del motor	B-20
Lista de comprobación posterior a la puesta en marcha.....	B-21
Transporte de la máquina.....	B-21
Comienzo de la operación de limpieza.....	B-21
Consejos útiles para la operación de limpieza	B-22
Instrucciones tras el funcionamiento y para limpieza	B-23 – B-25
Para detener la operación de limpieza	B-23
Lista de comprobación tras el funcionamiento	B-23
Para vaciar el depósito de la solución	B-23
Para limpiar el depósito de la solución	B-23
Para vaciar el depósito de recuperación	B-23
Para limpiar el depósito de recuperación	B-24
Para vaciar la tolva de residuos	B-25
Instrucciones remolque	B-25
Tabla de mantenimiento.....	B-26 – B-27
Mantenimiento general de la máquina	B-28 – B-33
Lubricación	B-28
Motor	B-29
Retirada del cepillo principal.....	B-29
Ajuste del nivel del cepillo principal	B-30
Ajuste del patrón de desgaste del cepillo principal.....	B-30
Ajuste del nivel del cepillo lateral.....	B-30
Sustitución del cepillo lateral	B-30
Aletas.....	B-31
Sustitución del cepillo de fregado.....	B-32
Cubiertas y seguros.....	B-32
Luz de advertencia de la solución	B-32
Luz de advertencia de recuperación	B-32
Control de la solución: estándar	B-32
Control de la solución: ESP.....	B-32
Sistema ESP de bomba de reciclaje	B-33
Almacenamiento del sistema ESP	B-33
Rasqueta trasera	B-33
Ruedas pivotantes de las rasquetas	B-33
Ajuste de las ruedas pivotantes.....	B-33
Resolución de problemas generales	B-34 – B-35
Especificaciones técnicas	B-36

INTRODUCCIÓN

Este manual le ayudará a obtener el máximo rendimiento de su limpiadora/barredora Advance™. Léalo con atención antes de utilizar la máquina.

COMPONENTES Y SERVICIO

Las reparaciones, cuando sean necesarias, deben ser realizadas por su centro de servicio técnico de Advance™, que utiliza personal de servicio técnico formado en fábrica y mantiene un inventario de piezas de repuesto y accesorios originales de Advance™.

Llame al DISTRIBUIDOR INDUSTRIAL ADVANCE que se indica a continuación para cualquier tema relativo a reparaciones o mantenimiento. Por favor, especifique el modelo y el número de serie cuando hable de su máquina.

(Distribuidor, coloque aquí la pegatina de su servicio.)

PLACA DE IDENTIFICACIÓN

El número de modelo y el número de serie de la máquina se muestran en la placa de identificación, situada en la pared del compartimiento del operario. Esta información es necesaria a la hora de solicitar repuestos para la máquina. Utilice el espacio situado más adelante para anotar el número de modelo y el número de serie de la máquina para futuras consultas.

MODELO _____

NÚMERO DE SERIE _____

Nota: si desea datos más detallados sobre especificaciones y servicio del motor, consulte el manual de uso y mantenimiento del fabricante del motor que se entrega por separado.

DESEMBALAJE DE LA MÁQUINA

Tras la entrega, inspeccione con atención la caja de transporte y la máquina para ver si se han producido daños. Si los daños son evidentes, guarde todas las partes de la caja de transporte, de manera que la compañía de transporte que entregó la máquina puede inspeccionarla. Póngase en contacto con la compañía de transporte inmediatamente para presentar una reclamación por daños durante el transporte.

FUNCIONAMIENTO DE LA MÁQUINA



FIGURA 1

SU MÁQUINA 7765 SE HA ENVIADO COMPLETA, PERO NO INTENTE UTILIZARLA SIN RESPETAR LAS SIGUIENTES INSTRUCCIONES.

PREPARACIÓN DE LA MÁQUINA PARA SU USO

1. Conecte y apriete los cables de la batería.
2. Llene el depósito con gasolina sin plomo NORMAL, o con combustible diesel si su motor es de este tipo.

⚠ ADVERTENCIA

Nunca llene el depósito con el motor en marcha. Asegúrese siempre de que el depósito de combustible y la barredora están conectados eléctricamente antes de verter combustible. Esto puede realizarse de un modo fácil fijando permanentemente el extremo de un cable aislado al depósito con una presilla de la batería en el lado opuesto.

3. Compruebe el nivel de aceite en el cárter del cigüeñal. Aunque se lubrica adecuadamente en la fábrica, compruebe antes de poner en marcha el motor. No se utiliza aceite de ninguna marca en especial. El número de horas de funcionamiento recomendado antes del cambio inicial del aceite es el habitual. Consulte la sección Mantenimiento.
4. Compruebe el nivel de refrigerante del radiador. En la fábrica se añade anticongelante de tipo permanente para proporcionar protección hasta aproximadamente -37°C . Para conservar este nivel de protección, mezcle siempre 1 parte de agua con 1 parte de anticongelante.
5. Compruebe el nivel del aceite en el depósito hidráulico situado en el centro de la máquina, junto al motor. El nivel de llenado del aceite debe ser 5 cm por debajo del conjunto del cuello del llenador. Si se requiere aceite, añada ÚNICAMENTE LÍQUIDO HIDRÁULICO, líquido para transmisión automática FORD tipo "F". Tras las primeras 50 horas de funcionamiento, su motor debe someterse a revisión para garantizar un rendimiento futuro alto y un funcionamiento sin problemas. Consulte la sección Mantenimiento.

PRECAUCIONES Y ADVERTENCIAS

SÍMBOLOS

Advance™ utiliza los símbolos que aparecen a continuación para indicar situaciones potencialmente peligrosas. Lea siempre con atención esta información y tome las medidas necesarias para la protección de las personas y la propiedad.

¡PELIGRO!

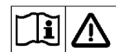
Se utiliza para advertir de riesgos inmediatos que producirán lesiones personales graves o incluso fatales.

¡ADVERTENCIA!

Se utiliza para llamar la atención sobre una situación que podría producir lesiones personales graves.

¡PRECAUCIÓN!

Se utiliza para llamar la atención sobre una situación que podría provocar lesiones personales leves o daños en la máquina u otros objetos.



Lea todas las instrucciones antes de utilizar la máquina.

INSTRUCCIONES GENERALES DE SEGURIDAD

Se incluyen precauciones y advertencias específicas que advierten de los peligros potenciales de daños a la máquina o lesiones personales.

¡PELIGRO!

- Esta máquina emite gases de escape (monóxido de carbono) que pueden producir lesiones graves e incluso fatales; facilite siempre la ventilación adecuada cuando utilice la máquina.

¡ADVERTENCIA!

- Esta máquina únicamente deben utilizarla personas autorizadas y con la debida formación.
- Al circular sobre una rampa o inclinación, evite las paradas bruscas cuando lleve carga. Evite las curvas muy cerradas. Circule lentamente al bajar pendientes. Si está en una rampa, limpie sólo al subir la misma.
- Para evitar la introducción de aceite hidráulico o lesiones provocadas por aceite hidráulico, utilice siempre las ropas y la protección ocular apropiados cuando trabaje con el sistema hidráulico o cerca de él.
- Apague el interruptor de contacto (O) y desconecte las baterías antes de realizar mantenimiento o reparaciones en los componentes eléctricos.
- Nunca trabaje debajo de una máquina sin colocar antes bloques o soportes de seguridad que sostengan la máquina.
- No aplique sustancias limpiadoras inflamables ni utilice la máquina sobre estas sustancias o cerca de ellas, ni tampoco en zonas en las que haya líquidos inflamables.
- No limpie esta máquina con una limpiadora a presión.

¡PRECAUCIÓN!

- Esta máquina no ha sido aprobada para su uso en vías públicas.
- Esta máquina no es apta para la recogida de sustancias peligrosas en polvo.
- Tenga cuidado cuando utilice discos escarificadores y muelas abrasivas. Advance™ no podrá ser considerada responsable por ningún daño a las superficies de los suelos causado por escarificadores o muelas abrasivas.
- Cuando utilice la máquina, asegúrese de que no existe peligro para terceras personas, especialmente niños.
- Antes de realizar cualquier función de mantenimiento o reparación, lea con atención todas las instrucciones relativas a la misma.
- No abandone la máquina sin antes apagar el interruptor de contacto (O), retirar la llave y aplicar el freno de estacionamiento.
- Apague el interruptor de contacto (O) antes de cambiar los cepillos y antes de abrir cualquiera de los paneles de acceso.
- Tome las debidas precauciones para evitar que pelo, joyas o prendas amplias queden atrapados entre elementos en movimiento.
- Sea cauto al mover esta máquina con temperaturas bajo cero. El agua en los depósitos de la solución o de recuperación, o en las conducciones, podría congelarse.
- Antes de utilizar la máquina, todas las puertas y cubiertas deberían asegurarse adecuadamente.

GUARDE ESTAS INSTRUCCIONES

[Empty rectangular box for content]

FUNCIONES DE LOS CONTROLES E INDICADORES

A	Indicador de temperatura del agua	T	Luz de comprobación del motor (gasolina/ propano líquido)
B	Medidor de horas de funcionamiento	U	Intermitente
C	Indicador de combustible	V	Acelerador, diesel
D	Manómetro del aceite	W	Acelerador, gasolina/propano líquido
E	Voltímetro	X	Control de la solución
F	Interruptor del cepillo principal	Y	Control de elevación del cepillo de barrido
G	Interruptor del cepillo lateral	Z	Opción ESP
H	Interruptor de control del polvo	AA	Botón de flujo de detergente
I	Interruptor del agitador del filtro	AB	Luz de poco detergente
J	Interruptor de encendido	AC	Interruptor del sistema de reciclaje
K	Interruptor de iluminación	AD	Luz de mucha solución
L	Interruptor de las bujías de calentamiento (solo en diesel)	AE	Puerta de descarga de la tolva
M	Elevación del cepillo lateral	AF	Elevación de la tolva
N	Botón pulsador del claxon	AG	Luz de advertencia de poca solución
O	Freno de pedal	AH	Luz de advertencia de mucha recuperación
P	Interruptor de alarma de marcha atrás	AJ	Interruptor de presión de los cepillos
Q	Pedal acelerador y de control direccional	AK	Interruptor de elevación del cepillo de fregado
R	Ajuste del asiento	AL	Interruptor de la rasqueta
S	Freno de estacionamiento	AM	Interruptor de rotación de los cepillos

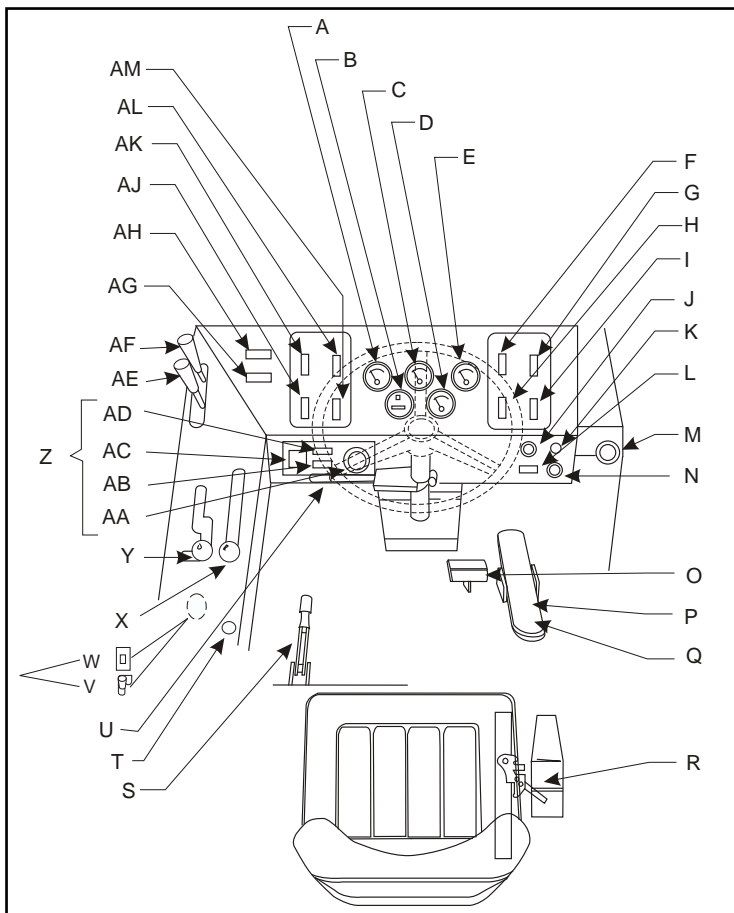


FIGURA 2

INTERRUPTOR DE ENCENDIDO

El interruptor de contacto de encendido (J) está situado a la derecha de la columna de dirección, en el lado frontal de la consola de instrumentos. Tiene cuatro posiciones.

- Si se gira la llave a la posición de desconexión ("OFF") central, se apaga el motor. En la posición de desconexión es posible activar los siguientes elementos:
 - Claxon
 - Opciones de iluminación
- El interruptor en la posición "IGN/ON" permitirá que se activen todos los elementos siguientes (pero NO arrancará el motor):
 - Claxon
 - Opciones de iluminación
 - Intermitentes de giro
 - Indicadores del panel de instrumentos
- Si se gira la llave a la posición de puesta en marcha ("START") de más a la derecha, el motor se pone en marcha. Esta posición es momentánea. La llave volverá a la posición de encendido ("IGN/ON") cuando se suelte.

INTERRUPTOR DE ILUMINACIÓN

El interruptor de iluminación (K) está situado sobre el botón del claxon, a la derecha del volante. Hace funcionar diversas opciones de iluminación disponibles para la máquina, como:

- * FAROS DELANTEROS
- * FAROS TRASEROS
- * LUCES DE INSTRUMENTOS

Todos los indicadores, con excepción del medidor de horas de funcionamiento, pueden contar con una luz opcional de instrumentos interna.

FUNCIONES DE LOS CONTROLES E INDICADORES

INTERMITENTE DE GIRO DE 4 POSICIONES (OPCIONAL)

La opción de intermitente de giro (U) está ubicada en la columna de dirección y funciona igual que los intermitentes de giro de un coche: si se mueve la palanca hacia adelante, se indica giro a la derecha, y hacia atrás se indica giro la izquierda. El intermitente de 4 posiciones se activa cuando la palanca de señalización de giro se estira hacia fuera.

INTERRUPTOR DE LAS BUJÍAS DE CALENTAMIENTO (DIESEL)

Bajo ninguna circunstancia debe utilizarse ninguna otra ayuda no autorizada para la puesta en marcha a la vez que las bujías de calentamiento. El interruptor de las bujías de calentamiento (L) está situado a la derecha de la columna de dirección, en el lado frontal de la consola de instrumentos. Para utilizarlo, emplee el siguiente procedimiento:

1. Antes de utilizar el motor de arranque, presione el botón "GLOW PLUG" (bujía de calentamiento) durante 20-30 segundos.
2. Con el botón "GLOW PLUG" todavía presionado, active el motor de arranque hasta que dicho motor se ponga en marcha.
3. Siga presionando el botón "GLOW PLUG" durante unos segundos más tras la puesta en marcha del motor, hasta lograr un funcionamiento regular.
4. Si el motor no se pone en marcha, desactive el motor de arranque, pero mantenga presionado el botón "GLOW PLUG" durante 10-15 segundos más. Mantenga activado el botón "GLOW PLUG" mientras pone en marcha el motor, y unos pocos segundos más una vez que dicho motor funcione correctamente.

BOTÓN PULSADOR DEL CLAXON

El botón del claxon (N) está situado a la derecha de la columna de dirección, en el lado frontal de la consola de instrumentos. El botón del claxon siempre está activo. Presione el botón del claxon para hacer sonar el claxon.

ELEVACIÓN DEL CEPILLO LATERAL (OPCIONAL PARA DESCARGA MANUAL)

La palanca de elevación del cepillo lateral (M) está situada a la derecha de la consola de instrumentos. Si se estira hacia atrás de la palanca y se gira hacia la derecha, el cepillo lateral se eleva y se bloquea en esa posición.

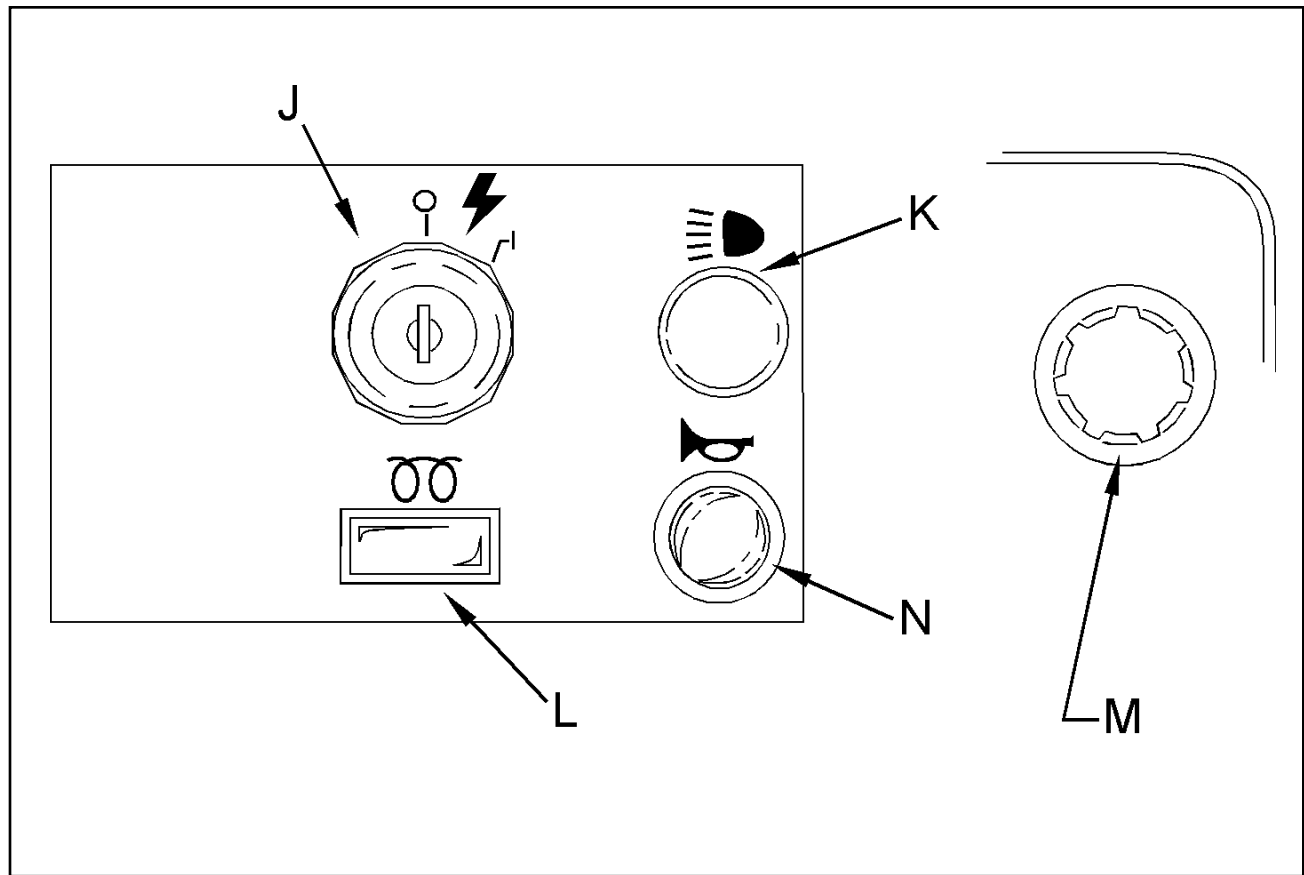


FIGURA 3

FUNCIONES DE LOS CONTROLES E INDICADORES

INTERRUPTOR DEL CEPILLO PRINCIPAL

El interruptor del cepillo principal (F) está situado en la consola, a la derecha del volante, en la sección SWEEPING (barrido). Este interruptor activa el cepillo principal. El interruptor tiene dos posiciones, encendido ("ON") y desconexión ("OFF"). Consulte Control de elevación del cepillo de barrido.

INTERRUPTOR DEL CEPILLO LATERAL (OPCIÓN PARA MÁQUINAS DE DESCARGA MANUAL)

El interruptor del cepillo lateral (G) está situado en la consola, a la derecha del volante, en la sección SWEEPING (barrido). Este interruptor activa el cepillo lateral. El interruptor tiene dos posiciones, encendido ("ON") y desconexión ("OFF"). Consulte Control de elevación del cepillo de lateral.

INTERRUPTOR DE CONTROL DEL POLVO (OPCIÓN PARA DERIVACIÓN DE BARRIDO EN HÚMEDO, OPCIÓN PARA MÁQUINAS DE DESCARGA MANUAL)

El interruptor de control del polvo (H) está situado en la consola, a la derecha del volante, en la sección SWEEPING (barrido). Este interruptor activa el sistema de control del polvo.

INTERRUPTOR DEL AGITADOR DEL FILTRO (SOLO PARA MÁQUINAS DE DESCARGA VARIABLE)

El interruptor del agitador del filtro (I) está situado en la consola, a la derecha del volante, en la sección SWEEPING (barrido).

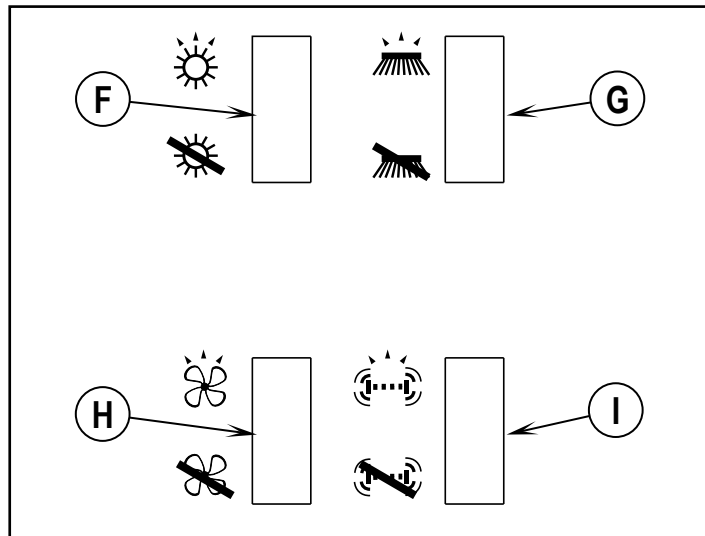
NOTA (solo para máquinas de descarga variable)

EL INTERRUPTOR DEL CEPILLO PRINCIPAL DEBE COLOCARSE SIEMPRE EN LA POSICIÓN DE DESCONEXIÓN ANTES DE AGITAR EL FILTRO. SI NO SE HACE, EL POLVO PERMANECERÁ EN LA SUPERFICIE QUE ENVUELVE EL FILTRO EN LUGAR DE CAER EN LA TOLVA.

El botón puede utilizarse cuando la llave de encendido está en la posición de encendido. El botón de control del agitador del filtro se utiliza durante el ciclo del barrido y el ciclo de descarga de la tolva. Use el interruptor de control del agitador del filtro para limpiar el polvo de dicho filtro. Utilice los procedimientos siguientes para utilizar el interruptor de control del agitador del filtro:

1. Tras realizar un barrido largo con la máquina, lleve el interruptor del cepillo a la posición de desconexión ("OFF").
2. Presione el interruptor del agitador del filtro durante 5-15 segundos para permitir la descarga del filtro.
3. Encienda el interruptor del cepillo (posición "ON"). Repita este procedimiento tras cada barrido largo.

FIGURA 4



NOTA (solo para máquinas de descarga variable)

El cepillo principal, el cepillo lateral, el control del polvo y el agitador del filtro se apagan automáticamente cuando la tolva descarga o la puerta de descarga está en una posición cerrada. Consulte ELEVACIÓN DE LA TOLVA y PUERTA DE DESCARGA DE LA TOLVA.

FUNCIONES DE LOS CONTROLES E INDICADORES

INDICADOR DE TEMPERATURA DEL AGUA

El indicador de temperatura del agua (A) está situado en el panel de la consola, sobre el volante, en el grupo de indicadores. El indicador es mecánico y se activa mediante un transmisor ubicado en el motor. Muestra la temperatura del refrigerante del motor en grados Fahrenheit.

MEDIDOR DE HORAS DE FUNCIONAMIENTO

El medidor de horas de funcionamiento (B) está situado en el panel de la consola, sobre el volante, en el grupo de indicadores. Este medidor se activa cuando el motor empieza a funcionar. El medidor indica el tiempo de "funcionamiento" real de la máquina. El medidor puede utilizarse para determinar los intervalos de mantenimiento de la máquina.

INDICADOR DE COMBUSTIBLE

El indicador de combustible (C) está situado en el panel de la consola, sobre el volante, en el grupo de indicadores. Este indicador indica el nivel de combustible que hay en el depósito de combustible.

MANÓMETRO DEL ACEITE

El manómetro del aceite (D) está situado en el panel de la consola, sobre el volante, en el grupo de indicadores. El indicador es mecánico y se activa mediante un transmisor ubicado en el motor. Muestra la presión del aceite del motor en PSI (libras por pulgada cuadrada).

VOLTÍMETRO

El voltímetro (E) está situado en el panel de la consola, sobre el volante, en el grupo de indicadores. El indicador indica el nivel de carga de la batería.

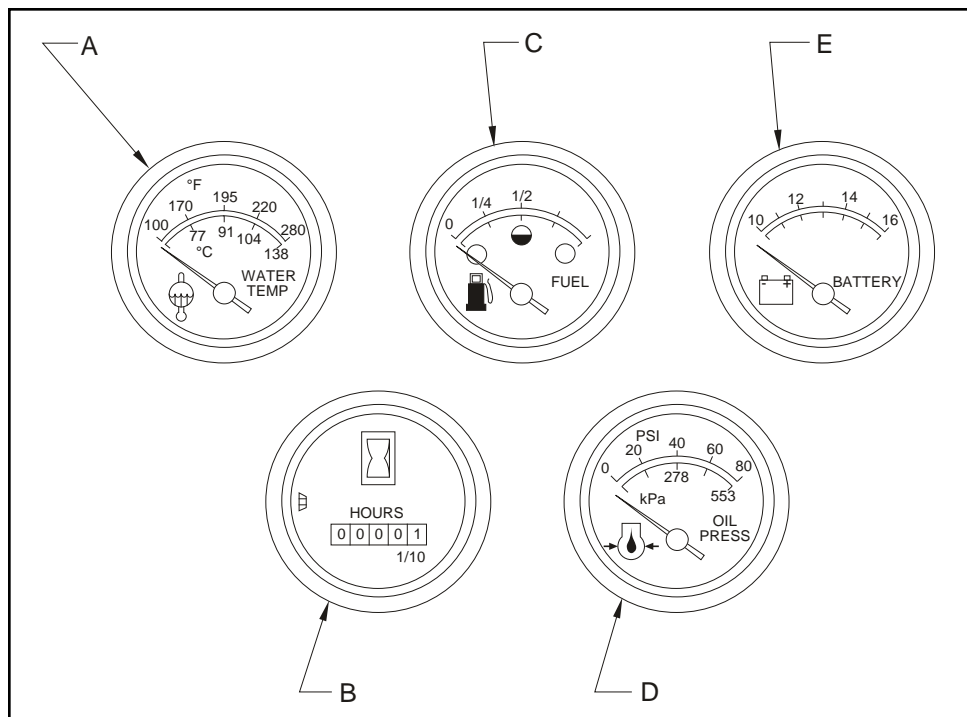


FIGURA 5

FUNCIONES DE LOS CONTROLES E INDICADORES

INTERRUPTOR DE LOS CEPILLOS DE FREGADO

El interruptor de los cepillos (AK) está situado en la consola, a la izquierda del volante, en la sección "SCRUBBING" (fregado). Si el interruptor se sitúa en la posición marcada como "LOWER" (bajar), bajará el portacepillos de fregado y se activarán los tres cepillos de fregado. El interruptor de rotación de los cepillos (AM) y el interruptor de presión de los cepillos (AJ) no pueden activarse si este interruptor no está en la posición "LOWER". Si se sitúa el interruptor en la posición "RAISE" (elevar), se detiene la rotación de los cepillos y se eleva el portacepillos de fregado.

INTERRUPTOR DE ROTACIÓN DE LOS CEPILLOS

El interruptor de rotación de los cepillos (AM) está situado en la consola, a la izquierda del volante, en la sección "SCRUBBING" (fregado). Este interruptor invierte la rotación de los cepillos de fregado. El interruptor tiene dos posiciones, "NORMAL" e invertida ("REVERSED"). Este interruptor no puede activarse hasta que el interruptor de elevación de los cepillos de fregado esté en la posición "LOWER" (bajar). El interruptor se ilumina cuando está activado.

INTERRUPTOR DE PRESIÓN DE LOS CEPILLOS

El interruptor de presión de los cepillos (AJ) está situado en la consola, a la izquierda del volante, en la sección "SCRUBBING" (fregado). Este interruptor aplica presión descendente adicional a los cepillos de fregado. El interruptor tiene dos posiciones, "NORMAL" y alta ("HEAVY"). Este interruptor no puede activarse hasta que el interruptor de elevación de los cepillos de fregado esté en la posición "LOWER" (bajar). El interruptor se ilumina cuando puede activarse.

INTERRUPTOR DE LA HOJA DE LA RASQUETA

El interruptor de la hoja de la rasqueta (AL) está situado en la consola, a la izquierda del volante, en la sección "SCRUBBING" (fregado). Si el interruptor se sitúa en la posición marcada como "LOWER" (bajar), bajará la rasqueta y se activará su aspiración. Si el interruptor se sitúa en la posición marcada como "RAISE" (subir), se detendrá la aspiración de la rasqueta y se elevará dicha rasqueta. Un interruptor activado por el pedal de avance-retroceso elevará automáticamente la rasqueta si se encuentra en la posición bajada y la máquina está en retroceso.

LUZ DE ADVERTENCIA DE MUCHA RECUPERACIÓN

La luz de advertencia de mucha recuperación (AH) está situada en la consola, a la izquierda del volante, junto a la sección "SCRUBBING" (fregado). La luz de advertencia de recuperación se ilumina aproximadamente 5 minutos antes de que el depósito de recuperación esté lleno, lo que brinda un amplio margen para completar el ciclo de fregado antes de que el flotador mecánico desconecte la aspiración que va al depósito de recuperación.

LUZ DE ADVERTENCIA DE POCA SOLUCIÓN

La luz de advertencia de poca solución (AG) está situada en la consola, a la izquierda del volante, junto a la sección "SCRUBBING" (fregado). La luz de advertencia de la solución se ilumina cuando el depósito de la solución está vacío, lo que marca el final del ciclo de fregado.

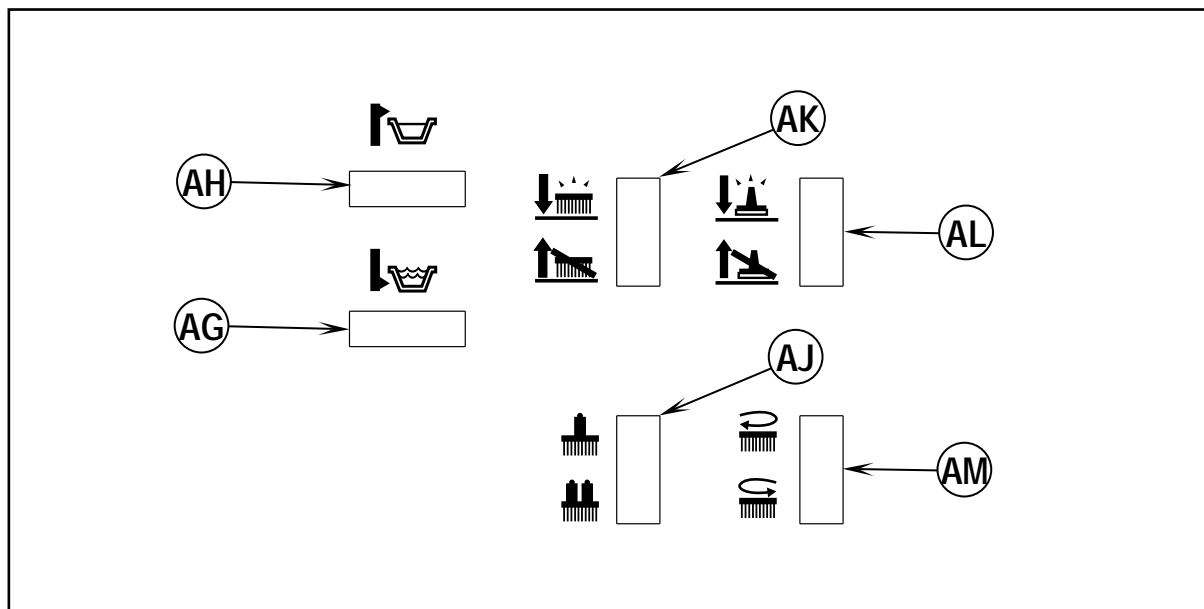


FIGURA 6

FUNCIONES DE LOS CONTROLES E INDICADORES

ELEVACIÓN DE LA TOLVA (SOLO PARA MÁQUINAS VARIABLES)

La palanca de elevación de la tolva (AF) está situada a la izquierda del volante, en el lado izquierdo del compartimento del conductor. Esta palanca, marcada como "HOPPER", sube y baja la tolva de residuos para facilitar la descarga.

⚠ ADVERTENCIA

La tolva puede caerse inesperadamente y provocar lesiones; enganche siempre el brazo de seguridad antes de trabajar debajo de dicha tolva.

BRAZO DE FIJACIÓN DE SEGURIDAD DE LA TOLVA (SOLO PARA DESCARGA VARIABLE)

⚠ ADVERTENCIA

Cuando la tolva esté levantada, el brazo de seguridad debe estar acoplado antes de realizar cualquier trabajo bajo la tolva

El brazo de fijación de seguridad de la tolva está ubicado bajo la tolva. Una vez terminado el trabajo, el brazo de seguridad debe desacoplarse.

PUERTA DE DESCARGA DE LA TOLVA (SOLO PARA MÁQUINAS DE DESCARGA VARIABLE)

La palanca de la puerta de descarga de la tolva (AE) está situada a la izquierda del volante, en el lado izquierdo del compartimento del conductor. Esta palanca abre y cierra la puerta de la tolva. La palanca está situada bajo la puerta de elevación de la tolva y está marcada como "DUMP DOOR".

TOLVA DE DESCARGA MANUAL (SOLO TOLVA DE DESCARGA MANUAL)

La palanca de la tolva descarga manual está situada bajo el parachoques frontal. Para descargar residuos, tire de la palanca de descarga manual completamente hasta la posición marcada como abierta. Deje la palanca en la posición de descarga y haga retroceder la máquina de la pila de residuos. Cuando ya no haya residuos, tire de la palanca de descarga manual hasta la posición marcada como cerrada.

CONTROL DE LA SOLUCIÓN

Para aplicar solución a los cepillos de fregado, empuje la palanca de control de la solución (X) hacia delante, hasta que se alcance el ajuste deseado. El caudal de la solución varía continuamente, desde apagado a aproximadamente 6,62 l/min con caudal bajo y 13,25 l/min con alto. Para detener la aplicación de solución, estire de la palanca hacia atrás hasta que se detenga en la posición de desconexión. La luz de advertencia de la solución se ilumina cuando el depósito de la solución está vacío, lo que marca el final del ciclo de fregado.

NOTA

Para obtener los mejores resultados, deje de aplicar solución unos 3 m antes de detenerse o realizar un giro de 90° o 180°.

CONTROL DE ELEVACIÓN DEL CEPILLO DE BARRIDO

El control de elevación del cepillo principal (Y) está situado a la izquierda del asiento del conductor. Para bajar el cepillo principal, tome la palanca y estire hacia atrás para sacarla de la muesca de bloqueo. Mueva la palanca hacia delante hasta la primera o la segunda muesca en la ranura alargada. La primera muesca, "SWEEP" (barrido) es para barrido normal (patrón de barrido de 5 a 8 cm). La segunda muesca, "FLOAT" (flotación) es para barrido intenso (patrón de barrido de 10 a 13 cm).

Para elevar el cepillo principal, estire de la palanca hacia atrás y deslícela a la muesca de bloqueo. Puede utilizar el cepillo principal en la posición "SWEEP" o "FLOAT". Sin embargo, para barrido normal debe utilizarse la posición "SWEEP", lo que aumentará la vida operativa de dicho cepillo. La posición "FLOAT" debe utilizarse únicamente al barrer áreas muy irregulares.

NOTA (solo para máquinas de descarga variable)

Un interruptor activado por la tolva y la posición de la puerta de descarga controla las funciones de barrido, el cepillo principal, el cepillo lateral, el control del polvo y el agitador del filtro. La tolva debe estar bajada y la puerta de descarga abierta antes de poder usar estas funciones.

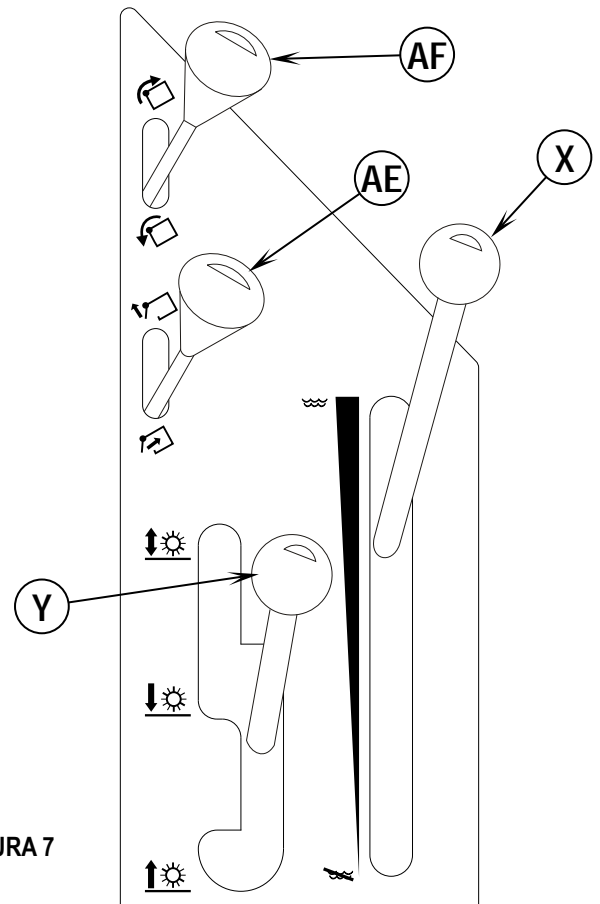


FIGURA 7

FUNCIONES DE LOS CONTROLES E INDICADORES

CONTROL DE ACELERACIÓN

Consulte la figura 2. El control de aceleración (**V** o **W**) está situado en la consola lateral izquierda. Los equipos de gasolina y propano líquido cuentan con un interruptor de aceleración (**W**). Las versiones diesel tienen una palanca (**V**). Para utilizar el modelo diesel: para lograr una aceleración máxima, tome la palanca y empuje hacia arriba y hacia la derecha, hasta la muesca de bloqueo. Para reducir a ralentí, tome la palanca y empuje hacia arriba y hacia la izquierda (alejándose de la muesca de bloqueo). Deje bajar la palanca hasta que se apoye en la parte inferior de la ranura. Las RPM con carga ("Load") (cepillos o control del polvo en funcionamiento) y sin carga ("No Load") (cepillos y control del polvo apagados) son las mismas para los equipos de gas y propano líquido. En el caso de los diesel, habrá una ligera caída entre las RPM con carga y sin carga. Devuelva siempre el interruptor o la palanca de aceleración a la posición de ralentí antes de apagar el interruptor de contacto y detener el motor.

MÁQUINA		RPM	
		RALENTÍ	"NO LOAD" (sin carga)
BARREDORA/FREGADORA (1 velocidad)	Gas/propano líquido	950	2050
	Diesel	950	2150
BARREDORA (2 nivel de velocidad)	Gas/ propano líquido	1ª	950
		2ª	2450
	Diesel	1ª	950
		2ª	2550

LUZ DE COMPROBACIÓN DEL MOTOR (MIL): SOLO GASOLINA Y PROPANO LÍQUIDO

La luz de comprobación del motor "MIL" (**T**) está situada en la consola lateral izquierda. Si la luz se enciende, indica que hay algún problema en el motor. Consulte la sección 7 del manual de servicio del motor GM para obtener instrucciones sobre cómo diagnosticar el problema.

FRENO DE ESTACIONAMIENTO

La palanca del freno de estacionamiento (**S**) está situada en el lado izquierdo del suelo del compartimento del conductor. Consulte la figura 8. Si se eleva esta palanca a la posición vertical (**a**) el pedal del freno se "bloquea" en posición bajada.

FRENO DE PEDAL

Consulte la figura 2. El pedal del freno (**O**) está situado a la derecha de la columna de dirección, en el suelo del compartimento del conductor. Consulte la figura 9. El freno de pedal de las ruedas delanteras es un sistema mecánico accionado por el pedal del freno.

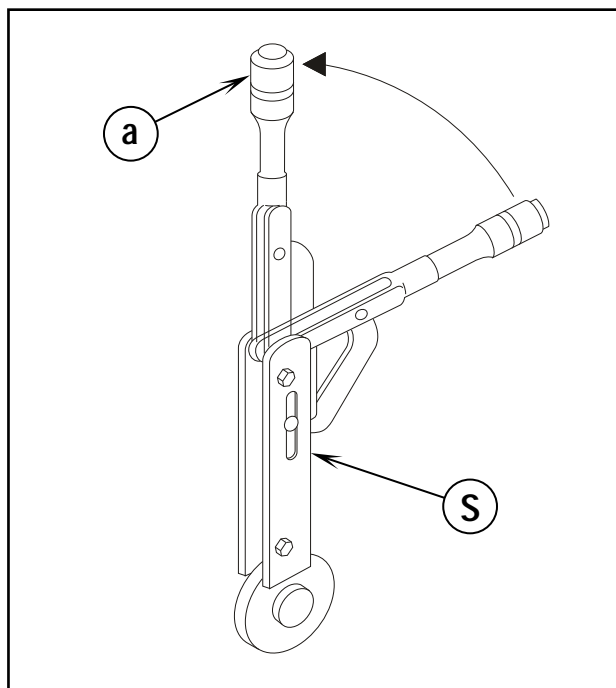


FIGURA 8

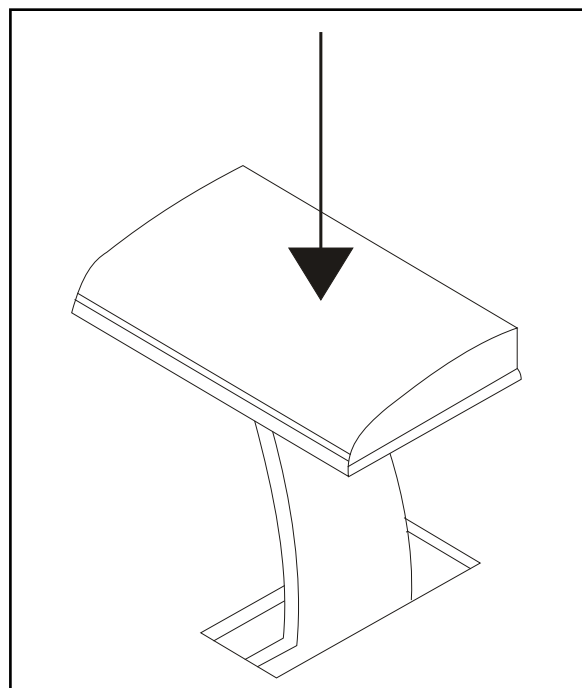


FIGURA 9

FUNCIONES DE LOS CONTROLES E INDICADORES

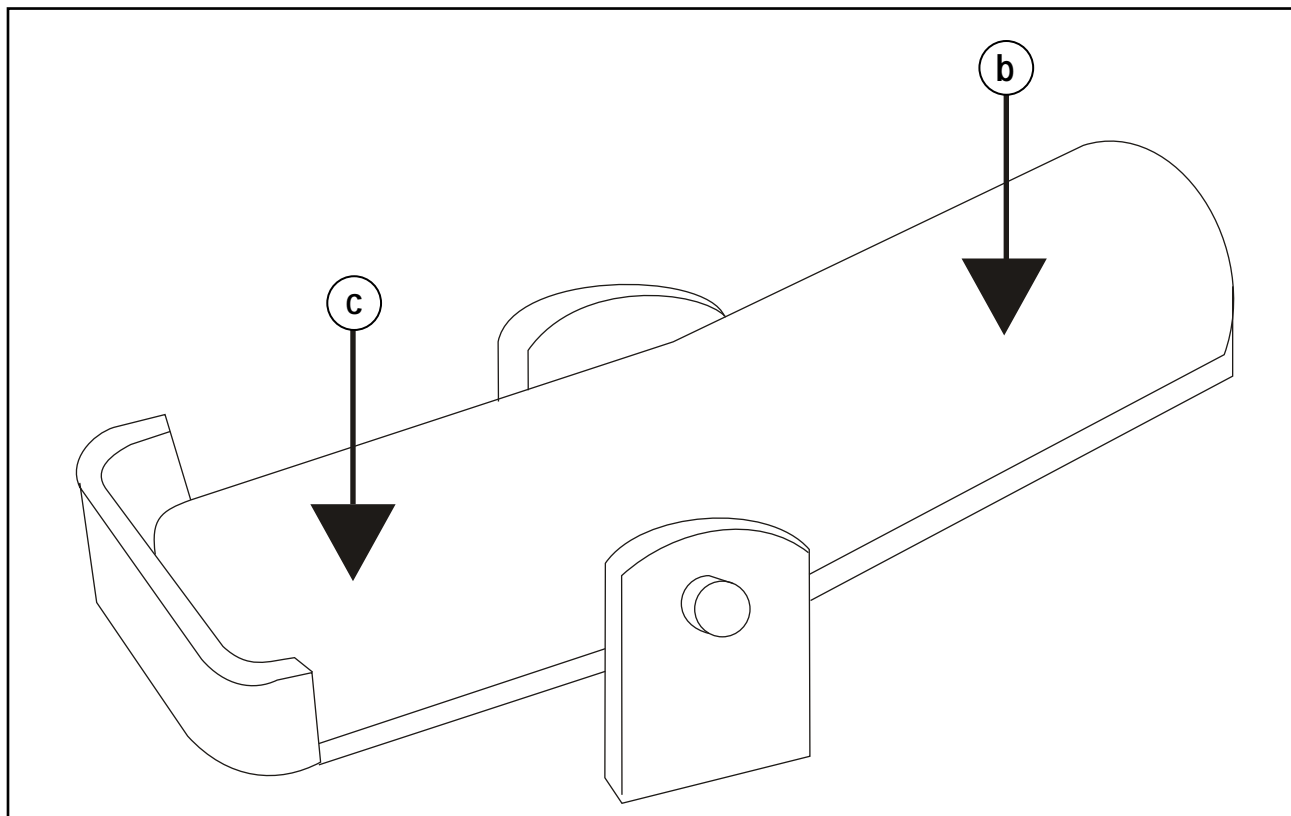


FIGURA 10

PEDAL ACELERADOR Y DE CONTROL DIRECCIONAL

Consulte la figura 2. El pedal acelerador y de control direccional (**Q**) está situado en el suelo del compartimento del conductor, a la derecha del pedal del freno. El pedal acelerador y de control direccional controla la dirección y la velocidad de desplazamiento de la máquina:

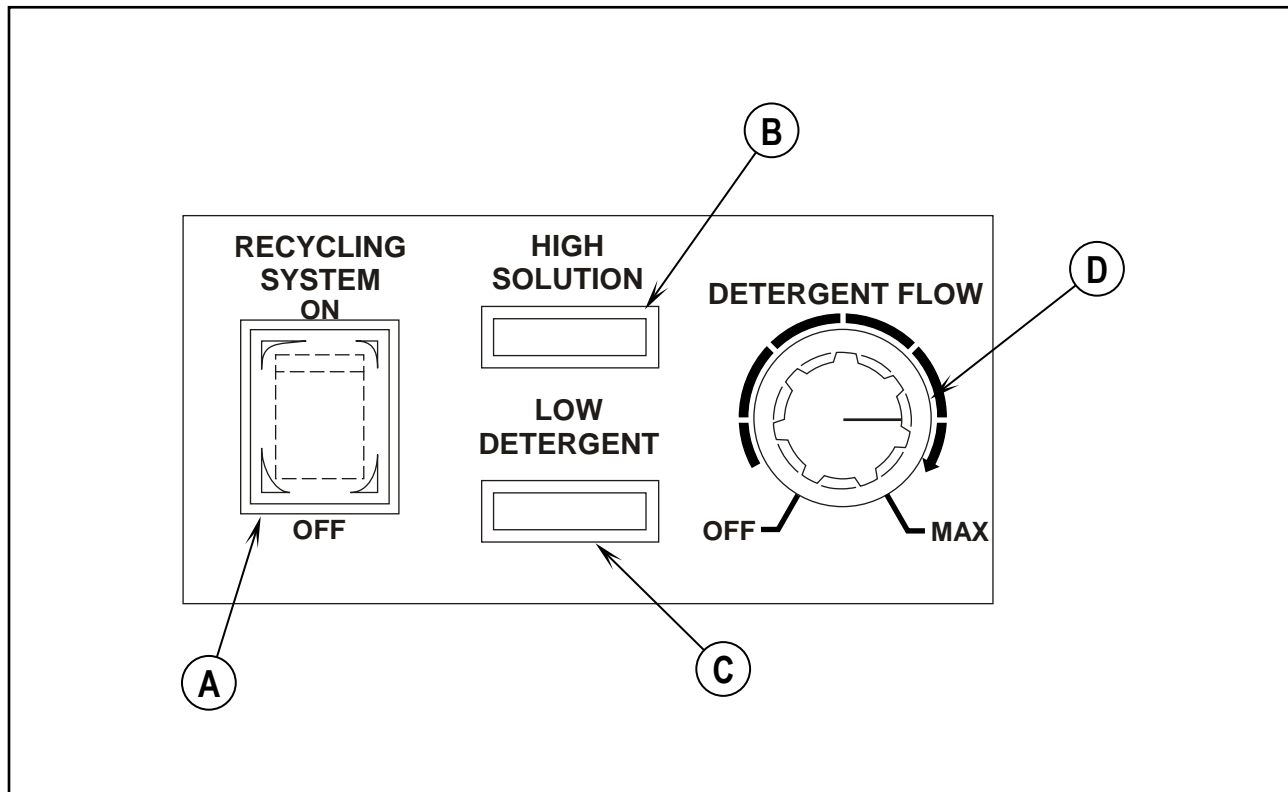
1. Ejerza presión con el pie en la parte superior del pedal (**b**). La máquina avanzará.
2. Aumente la presión con el pie en la parte superior del pedal para aumentar la velocidad de avance.
3. Ejerza presión con el pie en la parte inferior del pedal (**c**). La máquina irá marcha atrás.
4. Aumente la presión con el pie en la parte inferior del pedal para aumentar la velocidad de marcha atrás.
5. Para detener la máquina, ejerza una presión ligera con el pie en el extremo opuesto del pedal del acelerador y de control direccional. Si la máquina se mueve hacia delante, ejerza una presión ligera con el pie en la parte inferior del pedal. Si la máquina se mueve hacia atrás, ejerza una presión ligera con el pie en la parte superior del pedal.

INTERRUPTOR DE ALARMA DE MARCHA ATRÁS

Consulte la figura 2. El interruptor de alarma de marcha atrás (**P**) está situado bajo la sección inferior del pedal de acelerador y de control direccional, y activa la alarma de marcha atrás. La alarma emite un sonido audible alto cuando la máquina se utiliza marcha atrás.

AJUSTE DEL ASIENTO

Consulte la figura 2. La palanca de ajuste del asiento (**R**) está situada a la derecha del asiento. Esta palanca permite ajustar el asiento hacia delante o hacia atrás.

INSTRUCCIONES DE USO DEL SISTEMA DE FREGADO**EL PANEL DE MANDO DE RECICLAJE ESP****FIGURA 11****EL INTERRUPTOR DE ENCENDIDO/APAGADO DEL SISTEMA DE RECICLAJE ESP**

Consulte la figura 11. El interruptor de encendido/apagado del sistema de reciclaje ESP (A) enciende y apaga el sistema de reciclaje ESP.

LUZ DE ADVERTENCIA DE MUCHA SOLUCIÓN

La luz de advertencia de mucha solución (B) se enciende si el depósito de la solución está demasiado lleno con agua procedente del sistema de reciclaje.

LUZ DE ADVERTENCIA DE POCO DETERGENTE

La luz de advertencia de poco detergente (C) se ilumina cuando el depósito de detergente tiene poco detergente y advierte al operario de que debe añadir más.

BOTÓN DE FLUJO DE DETERGENTE

El botón rotativo de flujo de detergente (D) controla el flujo de detergente que entra en la solución de fregado. El operario puede elegir entre diferentes ajustes de detergente, para aplicaciones de limpieza de suaves a intensas. La luz del detergente se ilumina cuando el depósito de detergente tiene poco detergente y advierte al operario de que debe añadir más.

INSTRUCCIONES DE USO DEL SISTEMA DE FREGADO

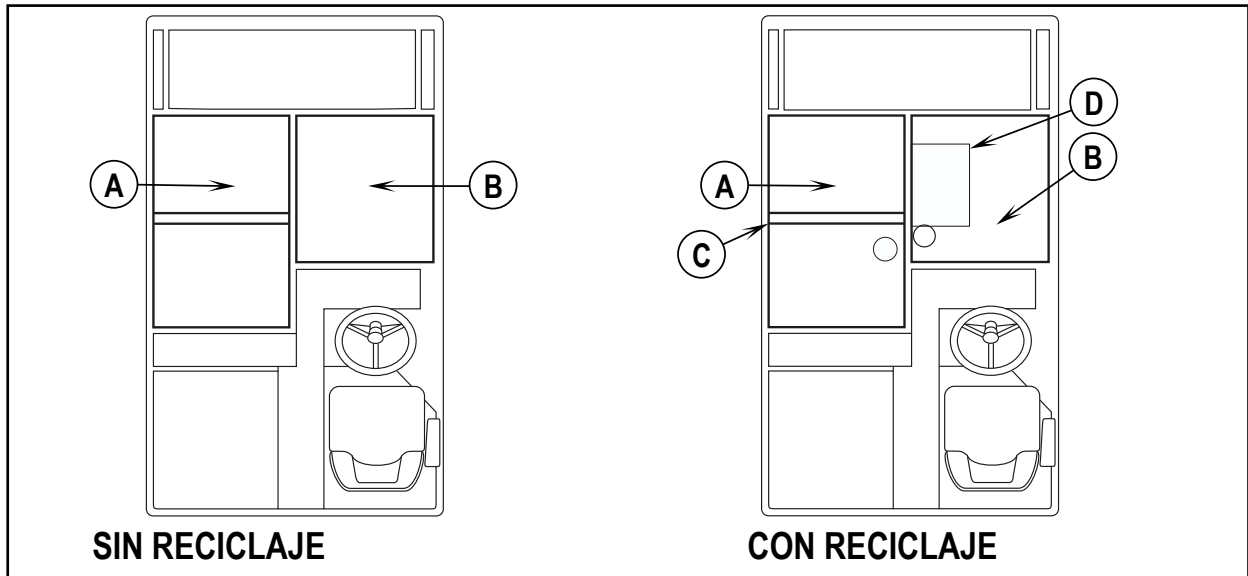


FIGURA 12

EL SISTEMA DE FREGADO: CÓMO FUNCIONA

Hay dos sistemas de fregado disponibles para la máquina 7765: el sistema de fregado sin reciclaje o estándar, y el sistema de fregado con reciclaje o ESP.

EL SISTEMA DE FREGADO SIN RECICLAJE O ESTÁNDAR: CÓMO FUNCIONA

Durante el proceso de fregado (que se muestra en la figura 13) el agua de la solución de detergente que procede del depósito de la solución se suministra a través de la conducción de la solución. Desde allí se suministra al suelo, donde tres cepillos de fregado de disco funcionan para arrancar la suciedad.

Tras el fregado, la solución sucia es aspirada del suelo y descargada en la cámara de contención, en la parte delantera del depósito de recuperación, donde un sistema de deflectores ayuda a clarificar la solución. En cada depósito hay sensores que indican, mediante luces en el panel de mando, si el agua en el depósito de la solución está demasiado baja o si el agua en el depósito de la recuperación está demasiado alta.

- A Depósito de recuperación
- B Depósito de la solución
- C Deflector
- D Depósito de detergente
- E Válvula de comprobación
- F Bomba de la solución
- G Orificio
- H Filtro
- I Válvula de caudal
- J Válvula de llenado automático
- K Bomba de detergente
- L Cepillos de fregado
- M Acoplamiento de llenado
- N Rasqueta
- O Contacto con el suelo
- P Conducción de la solución
- Q Aspiración

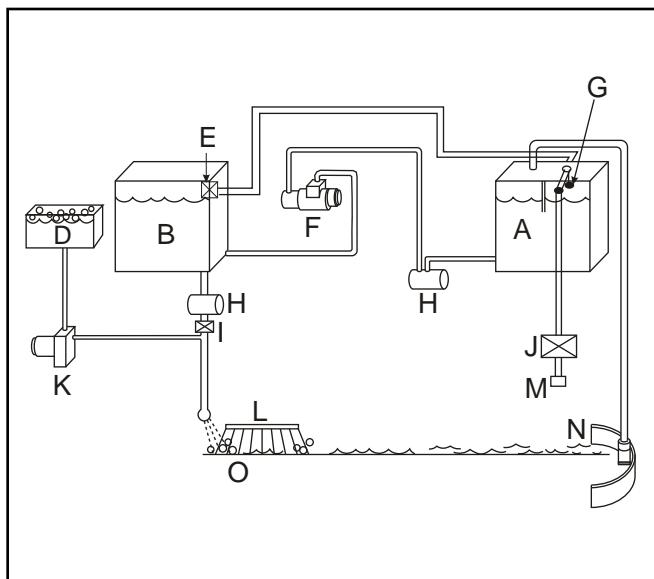


FIGURA 13

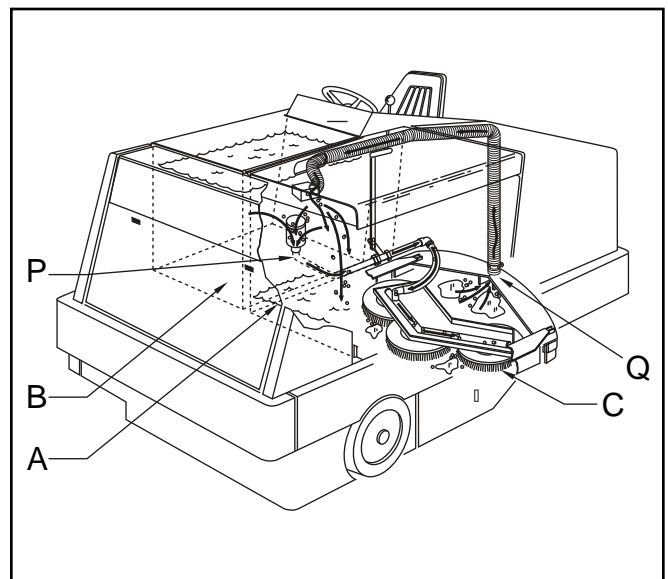


FIGURA 14

INSTRUCCIONES DE USO DEL SISTEMA DE FREGADO EL SISTEMA DE FREGADO CON RECUPERACIÓN O ESP: CÓMO FUNCIONA

Durante el proceso de fregado (que se muestra en la figura 15) el agua filtrada procedente del depósito de la solución se suministra a la conducción de la solución, donde se combina con detergente procedente de la bomba de medición. A continuación esta mezcla se suministra al suelo, donde tres de pillos de fregado de disco funcionan para arrancar la suciedad.

Tras el fregado, la solución sucia es aspirada del suelo y descargada en la cámara de contención, en la parte delantera del depósito de recuperación, donde un sistema de deflectores ayuda a clarificar la solución mientras va a la cámara de bombeo en la parte posterior del depósito de recuperación. A intervalos, un sistema de sensores activa la bomba de reciclaje, que envía solución filtrada desde la cámara de bombeo mientras va al depósito de la solución. Aquí está lista para mezclarse con detergente nuevo y medido y repetir el ciclo.

- A Depósito de recuperación
- B Depósito de la solución
- C Deflector
- D Depósito de detergente
- E Válvula de comprobación
- F Bomba de la solución
- G Orificio
- H Filtro
- I Válvula de caudal
- J Válvula de llenado automático
- K Bomba de detergente
- L Cepillos de fregado
- M Acoplamiento de llenado
- N Rasqueta
- O Contacto con el suelo
- P Conducción de la solución
- Q Aspiración

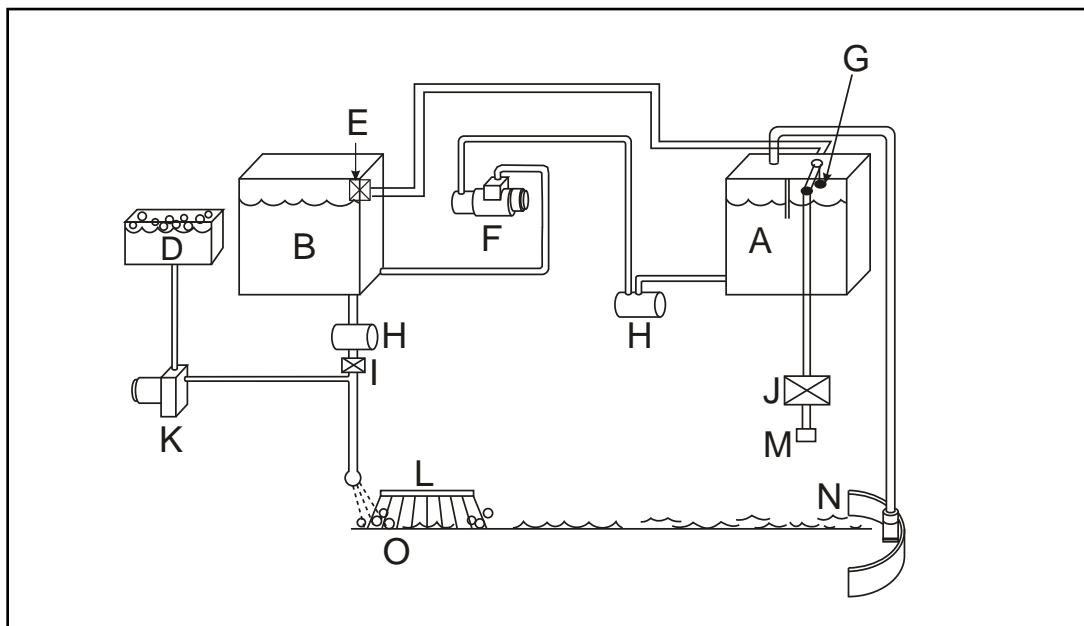


FIGURA 15

INSTRUCCIONES DE USO DEL CONTROL DE POLVO LOS SISTEMAS DE BARRIDO CON DESCARGA VARIABLE Y CONTROL DEL POLVO: CÓMO FUNCIONAN

Las máquinas con descarga variable 7765 están equipadas con un sistema de barrido y control del polvo. La figura 16 muestra la posición más elevada para la descarga variable.

AE Palanca de la puerta de la tolva

AF Palanca de elevación de la tolva

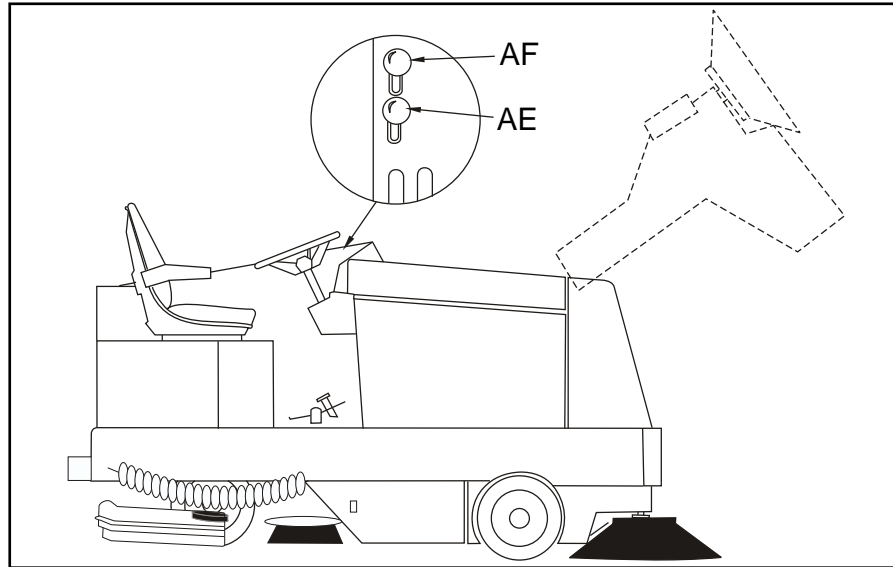


FIGURA 16

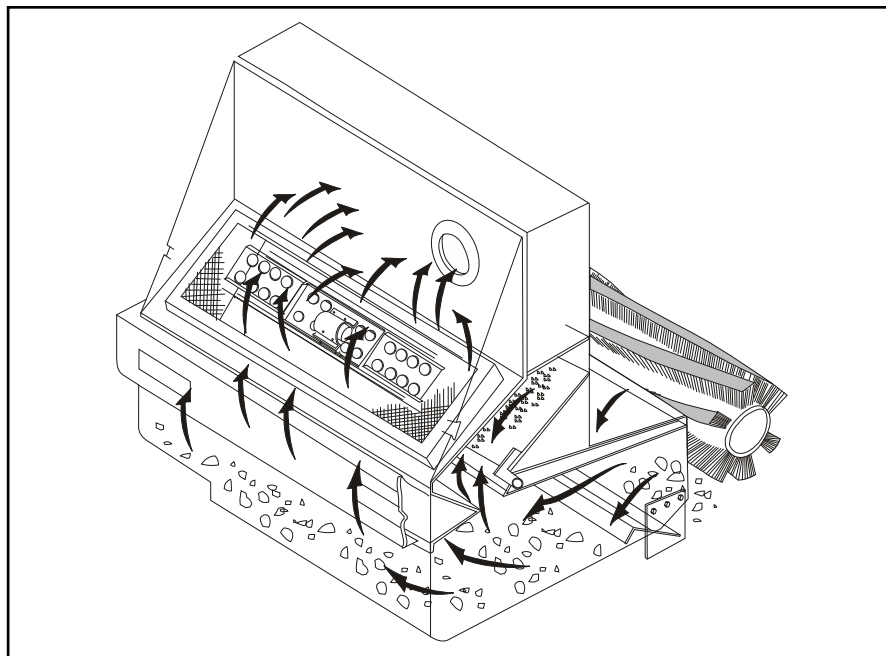


FIGURA 17

El residuo del barrido se introduce en la tolva (figura 17). El sistema de deflectores incorporado en la tolva de residuos de descarga variable se ha diseñado para minimizar el polvo en el aire mientras la máquina barre. El ventilador de aspiración impulsa el polvo más ligero hacia arriba, a través de un sistema de deflectores. La aleta de prelimpieza separa las partículas de polvo más pesadas hacia un área situada bajo los filtros. Los filtros de polvo capturan las partículas de polvo más ligeras. Esto permite que los filtros de polvo permanezcan más limpios y necesiten menos agitación para eliminar el polvo. Cuando los filtros de polvo se atascan, debe utilizarse el interruptor del agitador del filtro para poner en marcha el ciclo de dicho agitador. Esto aumenta la vida útil de los filtros.

NOTA
APAGUE PRIMERO EL CEPILLO PRINCIPAL

INSTRUCCIONES DE USO

LLENADO DEL DEPÓSITO DE LA SOLUCIÓN

SISTEMA DE FREGADO SIN RECICLAJE O ESTÁNDAR

1. Asegúrese de que la palanca de control de la solución está en la posición de desconexión (trasera).
2. Abra la cubierta del depósito de la solución (lado derecho)
3. Rellene del depósito con 378,5 litros de agua y la mezcla correcta de limpiador industrial Advance #100 para el trabajo.
4. Cierre la cubierta del depósito de la solución.

SISTEMA DE RECICLAJE O ESP

1. Asegúrese de que la palanca de control de la solución está en la posición de desconexión (trasera).
2. Abra la cubierta del depósito de la solución (lado derecho)
3. Llene el depósito de la solución como se describe anteriormente con 378,5 litros de agua pura.
4. Llene el depósito de detergente con 18,9 litros de limpiador industrial Advance #100.
5. Cierre la cubierta del depósito de la solución.

NOTA

Llene el depósito de recuperación hasta la mitad con agua para el sistema ESP

ADVERTENCIA

Para evitar un exceso de espuma y daños en la máquina, use únicamente solución de limpieza industrial ADVANCE #100.

ADVERTENCIA

NO ponga gasolina, combustible ni cualquier otro material inflamable en los depósitos de la solución, recuperación y el detergente.

NOTA

Antes de poner en marcha el motor, lleve a cabo la lista de comprobación previa a la puesta en marcha.

LISTA DE COMPROBACIÓN PREVIA A LA PUESTA EN MARCHA

1. Limpie el elemento del filtro de aire del motor si es necesario
2. Compruebe el nivel de aceite del motor
3. Compruebe el nivel de refrigerante del radiador
4. Compruebe el nivel del líquido hidráulico
5. Compruebe el nivel de combustible
6. Compruebe todos los sistemas por si presentan fugas
7. Compruebe si los frenos y los controles funcionan correctamente

ANTES DE PONER EN MARCHA EL MOTOR

1. Aplique el freno de estacionamiento
2. Asegúrese de que todos los controles están en la posición de desconexión.

PARA PONER EN MARCHA EL MOTOR

1. Asegúrese de que el pedal de acelerador y de control direccional está en posición neutral.
2. Lleve la llave a la posición de encendido ("On") y manténgala hasta que el motor se ponga en marcha.
3. Si el motor no se pone en marcha tras seguir los procedimientos anteriores, consulte el manual del motor.

ADVERTENCIA

El fabricante no recomienda almacenar la máquina a temperaturas bajo cero, a menos de que se hayan vaciado todos los líquidos de los depósitos de detergente, solución y recuperación y de los sistemas asociados. Si la máquina ha estado almacenada a temperaturas bajo cero, haga funcionar el motor con los ajustes más bajos posibles y deje que la máquina se asiente durante entre 5 y 10 minutos para calentar el motor y el aceite hidráulico.

INSTRUCCIONES DE USO**LISTA DE COMPROBACIÓN POSTERIOR A LA PUESTA EN MARCHA (MOTOR EN FUNCIONAMIENTO)**

1. Compruebe los cepillos principal y lateral para asegurarse de que no presentan residuos que impidan el giro y la aspiración.
NOTA: lleve siempre protección en las manos al limpiar residuos de los cepillos.
2. Compruebe las rasquetas para asegurarse de que no están dañadas y se adaptan al suelo.

PARA TRANSPORTAR LA MÁQUINA (SIN FREGAR NI BARRER)

1. Asegúrese de que los cepillos, la plataforma de fregado y las rasquetas están en la posición elevada, con todos los demás controles en la posición de desconexión.
2. Suelte el freno de estacionamiento.
3. Lleve el control de aceleración hacia arriba.
4. Empuje hacia delante el pedal de control direccional para poner la máquina en movimiento.
5. Cambie la presión de su pie en el pedal de control direccional para obtener la velocidad de desplazamiento deseada.
6. Para detenerse, deje que el pedal de control direccional regrese a la posición neutral (centrada). (El pedal regresará automáticamente a posición neutral cuando se suelte la presión del pie). **PARA EL FUNCIONAMIENTO NORMAL, PRESIONE EL PEDAL DE CONTROL DIRECCIONAL CON EL TALÓN EN LA POSICIÓN NEUTRAL.**
7. Empuje el acelerador del motor hacia abajo. Lleve la llave a desconexión.
8. Aplique el freno de estacionamiento.

PARA COMENZAR LA OPERACIÓN DE LIMPIEZA

1. Elija el modo de funcionamiento (reciclaje ESP o sin reciclaje ESTÁNDAR), según lo indicado por el llenado de la máquina o el tipo de máquina.
2. Lleve el motor a las máximas RPM.
3. Baje el cepillo principal.
4. Baje el cepillo lateral.
5. Encienda los cepillos principal y lateral.
6. Barra la longitud de la máquina.
7. Mueva el interruptor de recuperación a la posición de encendido ("On").
8. Baje los cepillos de fregado.
9. Baje la rasqueta a la posición bajada ("Lower").
10. Mueva la palanca de control de la solución al ajuste deseado.
11. Encienda el interruptor de recuperación para el sistema de reciclaje ESP, si corresponde.
12. Comience la operación de fregado.

Simplemente barra y friegue el suelo normal con poca o media suciedad. En esta operación, la limpieza se logra en una sola pasada, con suministro de solución, barrido, fregado y aspiración de agua sucia, todo simultáneamente. La tasa de suministro de la solución y la velocidad de desplazamiento requeridas varían según el estado del suelo. Saberlo a ciencia cierta depende de la experiencia del operario.

**INSTRUCCIONES DE USO
CONSEJOS ÚTILES PARA LA OPERACIÓN DE LIMPIEZA**

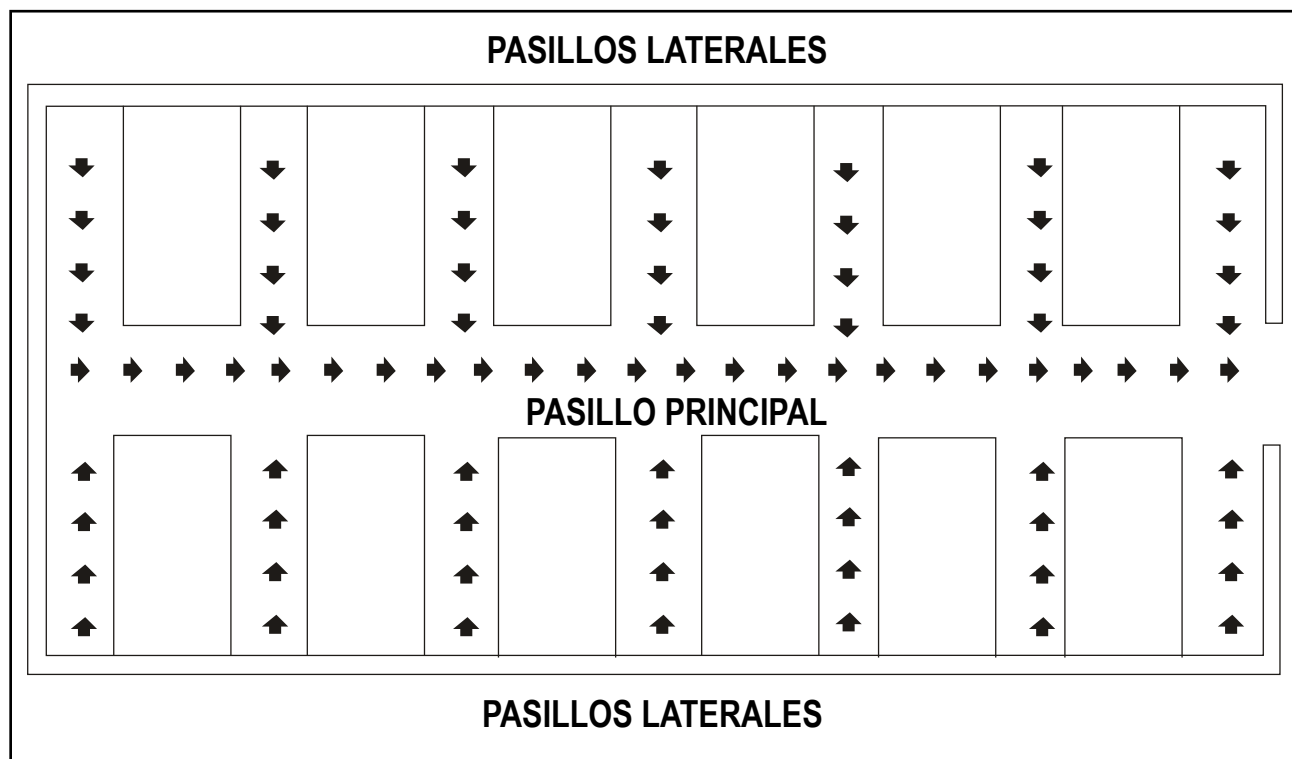


FIGURA 18

⚠ ADVERTENCIA

No gire el volante bruscamente cuando la máquina esté en movimiento. La barredora es muy sensible al movimiento del volante. No realice giros repentinos.

Friegue en línea recta. No choque contra postes. No raye los laterales de la máquina.

Cuando la máquina esté en movimiento, no pise completamente el pedal de control direccional/velocidad. Esto equivale a comenzar en velocidad alta ("High") y supondrá un gran esfuerzo para el sistema de tracción y el motor.

1. Planifique el barrido y el fregado con antelación. Utilice la máquina en tramos largos, manteniendo al mínimo el número de paradas y puestas en marcha. Limpie los residuos comenzando por los pasillos estrechos hasta el pasillo principal. Limpie un piso completo o una sección entera cada vez.
2. Recoja los residuos de gran tamaño antes del barrido.
3. Barra y friegue solapando cada tramo unos centímetros. Esto evita que queden corros de suciedad.
4. No gire la dirección bruscamente cuando la máquina esté en movimiento. La máquina es muy sensible movimiento del volante, de modo que evite giros repentinos.
5. Intente seguir una ruta lo más recta posible. Evite chocar contra postes o arañar los laterales de la máquina.
6. Al poner la máquina en movimiento, evite pisar el pedal de control direccional a fondo, de forma violenta y rápida. Esto equivale a poner en marcha en "HIGH" y exige un esfuerzo innecesario al motor y el sistema de tracción.
7. Deje siempre que la máquina se caliente antes de trabajar en temperaturas frías.
8. Gire periódicamente el cepillo (principal) de barrido de un extremo a otro para evitar que las cerdas "se fijen" en una dirección.

NOTA

Sustituya el cepillo de barrido cuando las cerdas se hayan desgastado a 8 cm de longitud. Sustituya los cepillos de disco cuando las cerdas hayan disminuido 1,3 cm de longitud. Sustituya las hojas de las rasquetas cuando todos los bordes utilizables se hayan redondeado con el desgaste, reduciendo la acción de limpieza.

INSTRUCCIONES TRAS EL FUNCIONAMIENTO Y PARA LIMPIEZA

PARA DETENER LA OPERACIÓN DE LIMPIEZA

Detenga la operación de limpieza siempre que se ilumine una luz de advertencia de solución o recuperación o una luz de parada.

La luz de la solución se ilumina cuando el depósito de la solución está vacío. En ese momento, detenga el ciclo de fregado, sitúe todos los controles en posición de transporte y conduzca hasta el área de vaciado. Consulte las instrucciones sobre cómo vaciar y limpiar los depósitos de la solución y de recuperación, y sobre cómo vaciar la tolva de residuos.

La luz de advertencia de recuperación se ilumina aproximadamente 5 minutos antes de la pérdida de aspiración al depósito de recuperación. Este período de advertencia debe dar tiempo suficiente para completar el ciclo de fregado y transportar o fregar hasta el área de vaciado.

NOTA

Tras detener el motor, lleve a cabo la lista de comprobación posterior a la operación.

LISTA DE COMPROBACIÓN TRAS EL FUNCIONAMIENTO

- | | |
|--|---|
| 1. Limpie la tolva de residuos. | 8. Compruebe el colector y los tubos de aspiración por si presentan residuos u obstrucciones; lave si es necesario. |
| 2. Compruebe si el cepillo de barrido está desgastado o dañado. | 9. Compruebe si los cepillos de fregado están desgastados o dañados. |
| 3. Compruebe todas las aletas por si presentan desgaste o daños, o si necesitan ajustes. | 10. Compruebe las rasquetas posterior y lateral por si presentan desgaste o daños, o si necesitan ajustes. |
| 4. Vacíe y lave el depósito de la solución (sistema ESP). | 11. Llene el depósito de combustible |
| 5. Limpie la criba del filtro de la solución (sistema ESP). | 12. Compruebe todos los sistemas por si presentan fugas. |
| 6. Vacíe y limpie el depósito de recuperación. | |
| 7. Limpie las cribas y flotadores del depósito de recuperación. | |

PARA VACIAR EL DEPÓSITO DE LA SOLUCIÓN (OPERACIÓN DE RECICLAJE) (SISTEMA ESP)

El vaciado del depósito de la solución se realiza mediante un tubo de vaciado largo de 92 cm situado bajo el canal del bastidor. Para vaciar el depósito, baje dicho tubo, retire el tapón y vacíe. Una vez concluida la operación de vaciado, limpie el depósito de la solución como se describe a continuación.

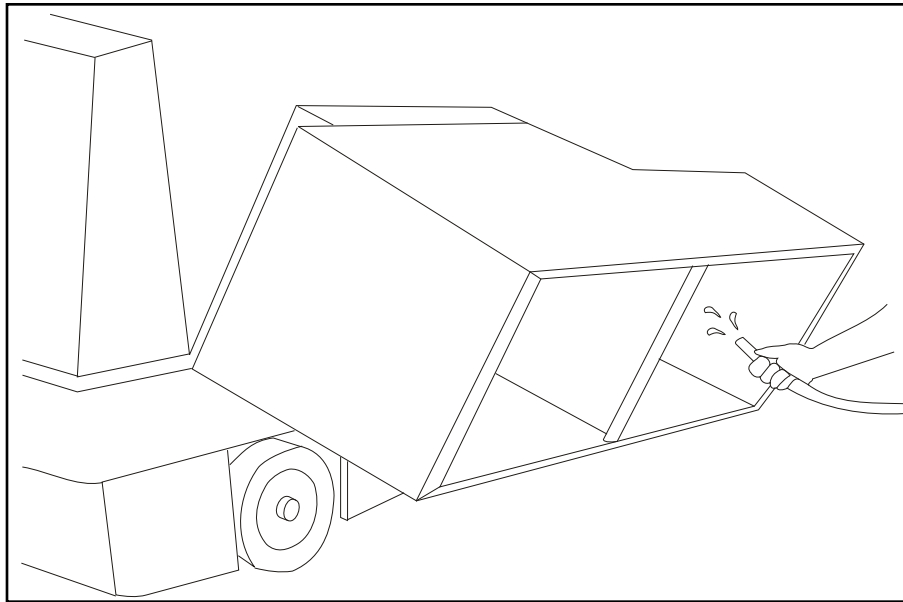


FIGURA 19

PARA LIMPIAR EL DEPÓSITO DE LA SOLUCIÓN (OPERACIÓN DE RECICLAJE) (SISTEMA ESP)

La limpieza del depósito de la solución se simplifica gracias a la cubierta de acceso de gran tamaño. Lave todos los sedimentos del depósito, y también todas las sondas y el filtro de la línea de la solución para acabar con todos los sedimentos; retire el filtro si es necesario. Una vez concluida la operación de limpieza, coloque el tapón y vuelva a colocar el tubo. Cierre y asegure las cubiertas.

PARA VACIAR EL DEPÓSITO DE RECUPERACIÓN

Hay un tubo de vaciado largo de 92 cm para el depósito de recuperación situado bajo el canal del bastidor. Para vaciar el depósito, baje dicho tubo, retire el tapón y vacíe. Abra el depósito de recuperación y retire el tapón de vaciado. Una vez concluida la operación de vaciado, limpie el depósito de recuperación como se describe en la siguiente página.

INSTRUCCIONES TRAS EL FUNCIONAMIENTO Y PARA LIMPIEZA

PARA LIMPIAR EL DEPÓSITO DE RECUPERACIÓN

La gran cubierta de acceso del depósito de recuperación simplifica el proceso de limpieza. Una vez abierta la tapa del depósito de recuperación, incline dicho depósito. Con el depósito de recuperación inclinado (figura 19), limpie la arena, los sedimentos, los residuos, etc. del depósito con una manguera de agua, vuelva a colocar el depósito y limpie el colector, la criba del flotador de bola y el interruptor de nivel para eliminar cualquier depósito. La tapa del depósito debe retirarse y limpiarse aproximadamente cada 50 horas de funcionamiento.

ADVERTENCIA

No intente limpiar grandes cantidades de residuos del depósito a través del tubo de vaciado; esto provocará atascos y dificultará futuros vaciados. Lave siempre el depósito de recuperación con agua limpia al final de cada ciclo de limpieza. No deje nunca que se acumulen residuos, se asienten y se endurezcan en el depósito, la tapa del depósito o cualquier otro material asociado.

- AE Palanca de la puerta de la tolva
- AF Palanca de elevación de la tolva
- AN Eje de control de remolque

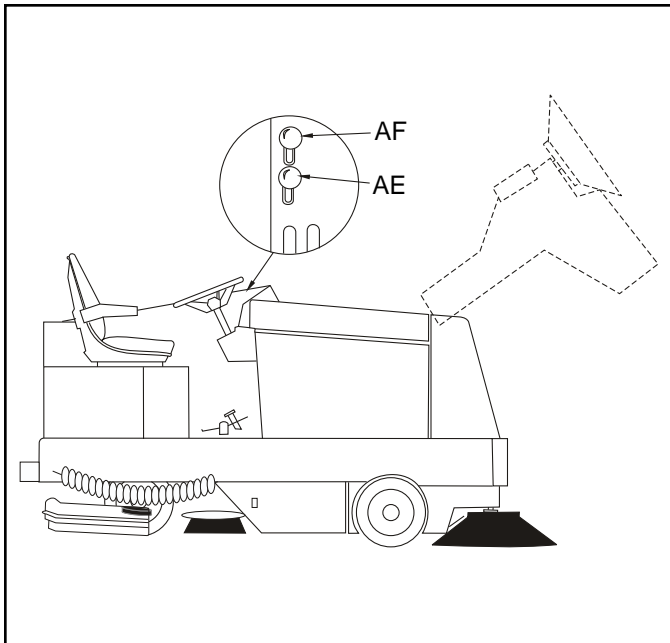


FIGURA 20

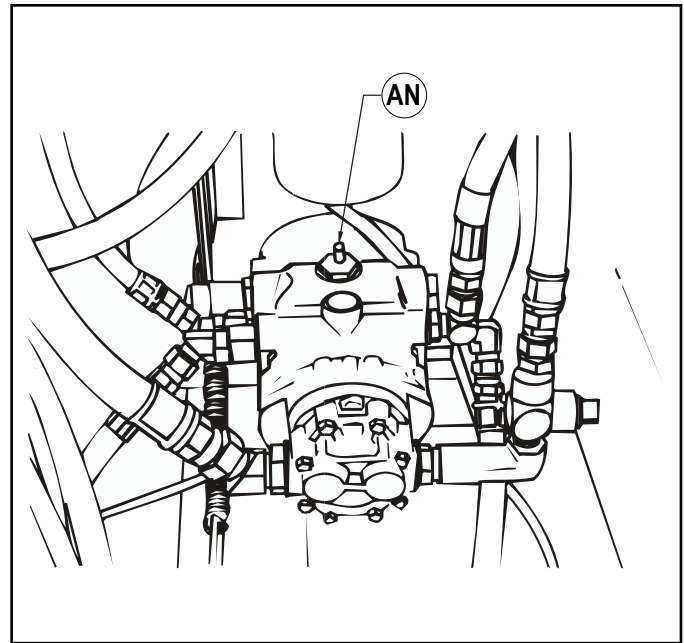


FIGURA 21

INSTRUCCIONES TRAS EL FUNCIONAMIENTO Y PARA LIMPIEZA**PARA VACIAR LA TOLVA DE RESIDUOS**

1. Transporte o barra y friegue hasta el lugar de descarga.
2. Cierre la puerta de descarga de la tolva con la palanca de descarga de la tolva.
3. Eleve la tolva con la palanca de elevación de la tolva hasta el nivel deseado.
4. Mueva la máquina hacia adelante, sobre el contenedor, si es necesario.
5. Abra la puerta de descarga de la tolva con la palanca de descarga de la tolva.
6. Baje la tolva con la palanca de elevación de la tolva hasta la posición de funcionamiento normal.

NOTA (solo para máquinas de descarga variable)

Las funciones de barrido - cepillo principal, cepillo lateral, ventilador de polvo y agitadores de filtros - únicamente funcionan cuando la tolva esta bajada y la puerta de descarga está abierta.

INSTRUCCIONES DE REMOLQUE (CONSULTE LA FIGURA 21)

1. Localice la extensión del eje de control de remolque (AN), como se muestra en la figura 21. (Vea la flecha).
2. Para abrir el circuito hidráulico del motor de propulsión de las ruedas, gire el eje 90°, de manera que las aletas de dicho eje estén paralelas al eje frontal.
3. Tras el remolque, gire el eje 90°, de manera que las aletas de dicho eje estén paralelas a la línea central de la bomba.

TABLA DE MANTENIMIENTO

Para obtener ayuda acerca de mantenimiento, consulte las páginas amarillas de barredoras y fregadoras propulsadas. Para obtener el mejor rendimiento, sustituya las piezas desgastadas por piezas auténticas de Advance.

CADA 8 HORAS de funcionamiento o A DIARIO, compruebe y limpie/ajuste si es necesario:

1. Inspeccione si los filtros del panel presentan daños y limpie.
2. Compruebe el nivel del aceite del motor.
3. Compruebe el nivel del líquido hidráulico.
4. Compruebe si el núcleo del radiador está bloqueado.
5. Compruebe si las aletas están desgastadas o dañadas.
6. Compruebe si los cepillos están desgastados o dañados; ajuste si es necesario.
7. Compruebe si los filtros del panel (lado limpio) presentan fugas.
8. Compruebe el pedal del freno y el freno de estacionamiento.
9. Compruebe si se percibe olor a propano líquido o diesel en las conexiones.
10. Compruebe el separador de agua (diesel).
11. Compruebe el depurador de aire del motor.
12. Compruebe el filtro del aceite hidráulico.
13. Compruebe el nivel de refrigerante.

LISTA DE COMPROBACIÓN DE MANTENIMIENTO CADA 50 HORAS (SEMANTAL)

14. Depósito de la solución (sistema de reciclaje o ESP).
15. Criba del filtro de la solución (sistema de reciclaje o ESP).
16. Depósito de recuperación. (Incluya la limpieza de la tapa del depósito).
17. Cribas y filtros del depósito de recuperación.
18. Cepillos de fregado desgastados o dañados.
19. Rasquetas posterior y lateral desgastadas o dañadas.
20. Compruebe la tensión de todas las correas.
21. Compruebe el nivel de electrolitos de las baterías. (Excepto si se trata de baterías sin mantenimiento).
22. Compruebe si los tubos hidráulicos están desgastados o dañados.
23. Gire el cepillo principal (de extremo a extremo).
24. Limpie o sustituya los filtros del panel.

Realice el mantenimiento recomendado del motor (consulte el manual del motor si corresponde).

LISTA DE COMPROBACIÓN DE MANTENIMIENTO CADA 100 HORAS

25. Cambie el aceite del cárter del cigüeñal.
26. Cambie el filtro del aceite del motor.
27. Lubrique la rueda de tracción, los cojinetes de la rueda pivotante y la guía de la cremallera de la dirección (lado del motor sobre la rueda trasera).
ASEGÚRESE DE ENGRASAR EL ENGRASADOR ZERK SITUADO SOBRE LA CREMALLERA DE PIÑÓN (consulte Conjunto de rueda trasera, lista de piezas).
28. Lubrique los cojinetes de la rueda delantera.
29. Lubrique todas las juntas móviles.
30. Compruebe si las zapatas de los frenos están desgastadas y ajuste si es necesario.
31. Lubrique los 6 (diesel)/4 (gasolina/propano líquido) casquillos DANHOUSER con NAPA #765-1363 o un lubricante antiagarrotamiento equivalente. Los casquillos están ubicados en la dirección, la elevación del portacepilllos, la elevación de las rasquetas, la elevación del cepillo principal, ambos extremos roscados del cable de aceleración y los cilindros de la puerta de descarga variable.

Realice el mantenimiento recomendado del motor (consulte el manual del motor si corresponde).

LISTA DE COMPROBACIÓN DE MANTENIMIENTO CADA 250 HORAS

32. Lubrique las ruedas pivotantes de las rasquetas.
33. Limpie el depósito de la solución y la criba del filtro.
34. Sustituya el elemento del filtro del aire del motor.
35. Lave el sistema de refrigerante del radiador.
36. Retire la bujía; limpie o sustituya (gasolina/propano líquido).
37. Compruebe el distribuidor y las puntas; limpie o sustituya (gasolina/propano líquido).
38. Limpie y lubrique la biela del controlador (diesel).
39. Cambie el filtro del combustible.
40. Sustituya el elemento del filtro hidráulico.

Realice el mantenimiento recomendado del motor (consulte el manual del motor si corresponde).

LISTA DE COMPROBACIÓN DE MANTENIMIENTO CADA 400 HORAS

41. Limpie el depósito hidráulico.
42. Limpie el filtro de la admisión hidráulica.
43. Cambie el líquido hidráulico.

Realice el mantenimiento recomendado del motor (consulte el manual del motor si corresponde).

TABLA DE MANTENIMIENTO

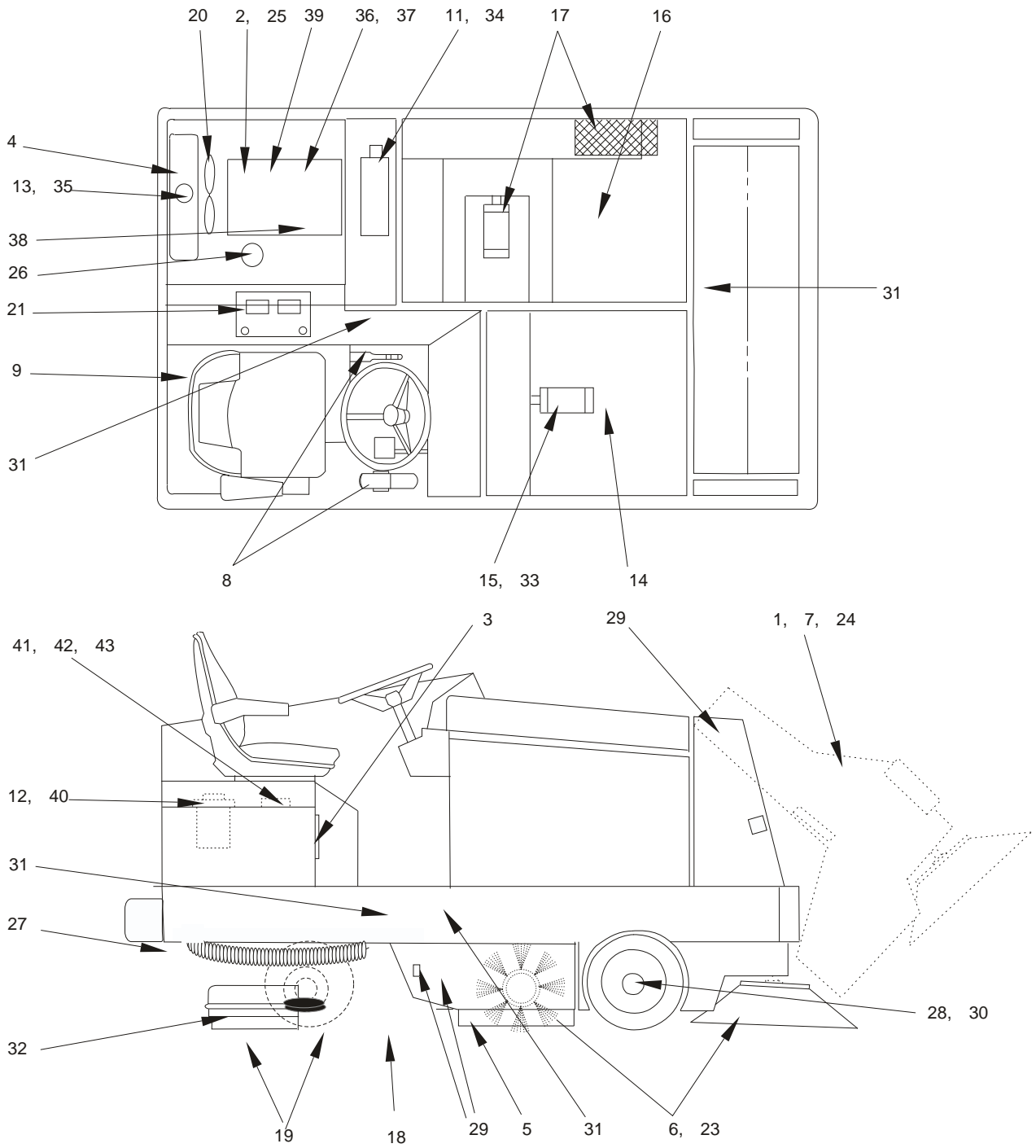
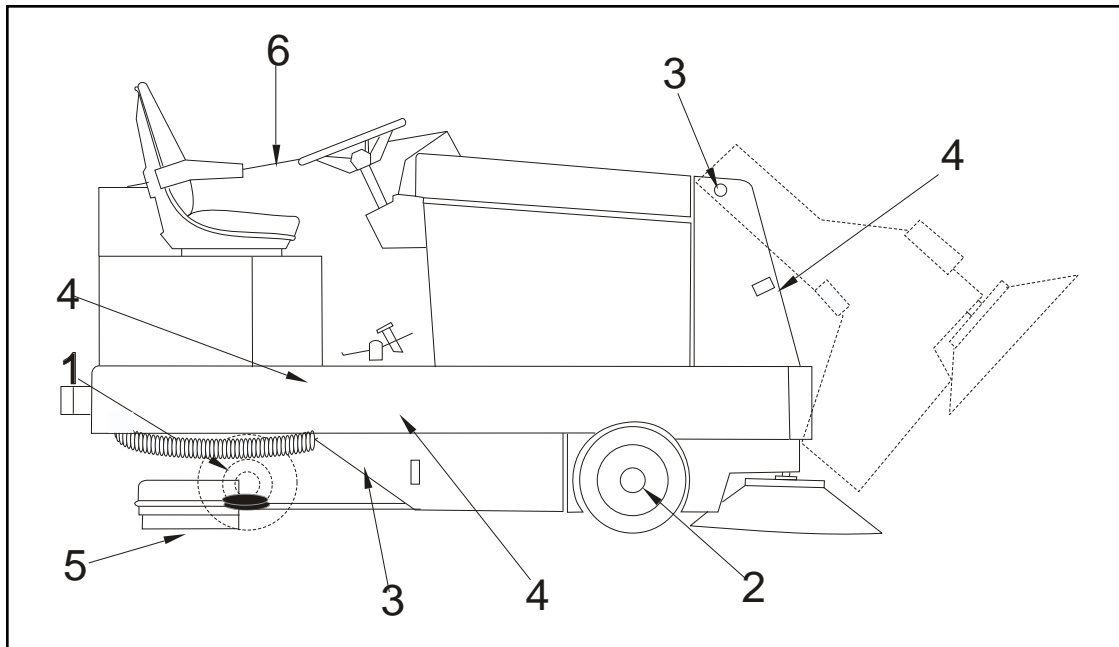


FIGURA 22

MANTENIMIENTO GENERAL DE LA MÁQUINA**FIGURA 23****LUBRICACIÓN****Lubricación a las 100 horas**

1. Lubrique la rueda de tracción, los cojinetes de la rueda pivotante y la guía de la cremallera de la dirección.
2. Lubrique los cojinetes de la rueda delantera.
3. Lubrique todas las juntas móviles.
4. Lubrique los 6 (diesel)/4 (gasolina/propano líquido) casquillos DANHOUSER con NAPA #765-1363 o un lubricante antiagarrotamiento equivalente. Los casquillos están ubicados en la dirección, la elevación del portacepillos, la elevación de las rasquetas, la elevación del cepillo principal, ambos extremos roscados del cable de aceleración y los cilindros de la puerta de descarga variable.

Lubricación a las 250 horas

5. Lubrique las ruedas pivotantes de las rasquetas.
6. Lubrique la biela del controlador (diesel).

Utilice una grasa multiusos de un buen nivel. Evite el uso de excesiva grasa.

MANTENIMIENTO GENERAL DE LA MÁQUINA

MOTOR

Lea y respete todas las instrucciones en la sección del manual del motor. Debido a la naturaleza del trabajo que realiza la máquina, hay que tener un cuidado especial para proteger el motor de estos elementos. Compruebe el aceite cada día antes de comenzar las operaciones. Asegúrese de comprobar el colector de polvo de la tapa del filtro de aire y vaciar si es necesario. Compruebe también el purificador de aire y cambie si su estado así lo exige. Un deje el motor llegar a estar recubierto de polvo y suciedad.

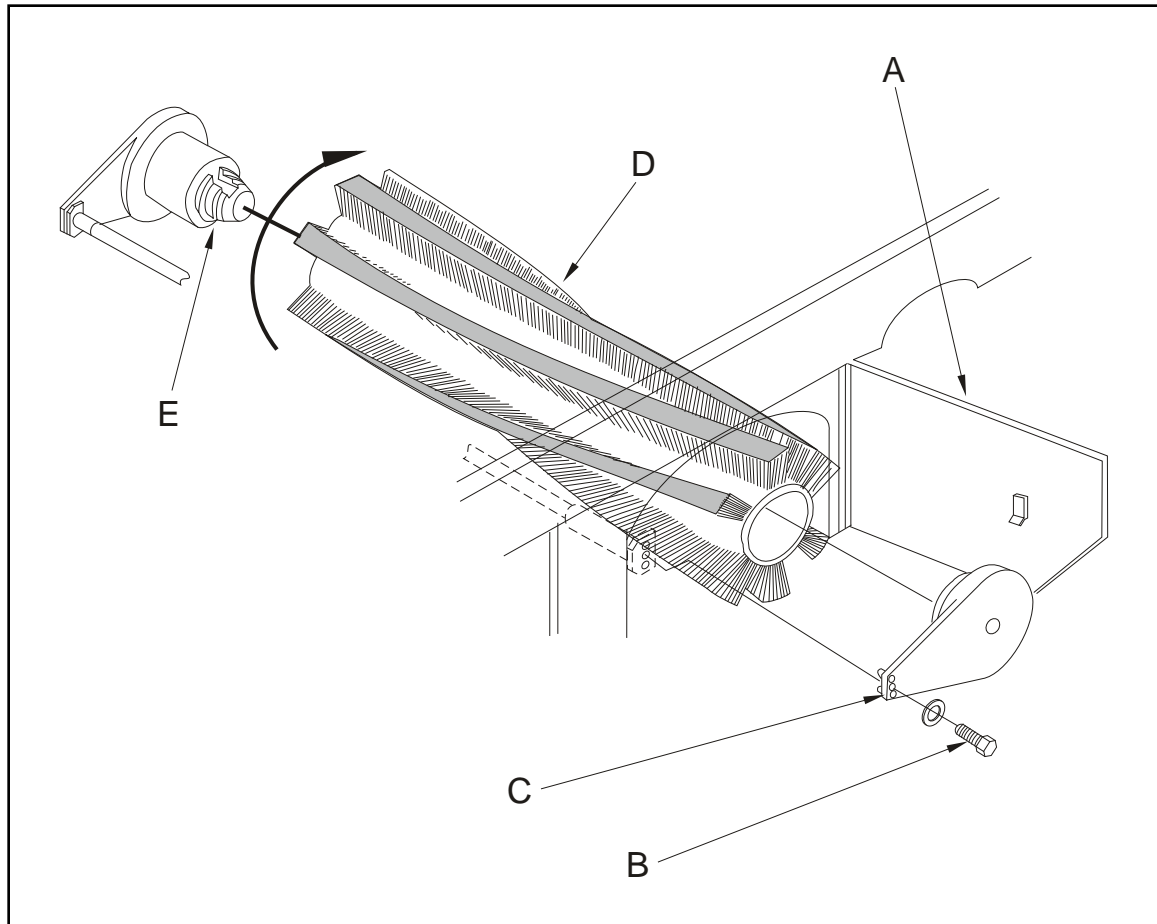


FIGURA 24

PARA RETIRAR EL CEPILLO DE BARRIDO PRINCIPAL

1. Abra la puerta de la cámara del cepillo derecho (A).
2. Coloque el control del cepillo principal en la posición "SWEEP" (barrer).
3. Retire el perno de retención (B).
4. Retire el conjunto del brazo libre (C).
5. Retire el cepillo principal (D) y descártelo.
6. Coloque un nuevo cepillo principal en la cámara del cepillo.
7. Gire el nuevo cepillo hacia la derecha sobre el cubo de accionamiento (E) hasta que se enganche en las lengüetas del cepillo del cubo de accionamiento.
8. Coloque el conjunto del brazo libre (C) en su lugar.
9. Coloque el perno de retención (B) en su lugar y apriete.
10. Cierre la puerta de la cámara del cepillo (A).
11. Ponga el motor en marcha.
12. Coloque la palanca del cepillo en la posición "SWEEP" (barrer).
13. Deje que el cepillo barra sin moverse durante 30 segundos.
14. Coloque la palanca del cepillo en la posición "UP" (arriba).
15. Haga retroceder la máquina fuera del lugar de la prueba.
16. Inspeccione el área pulida donde ha barrido el cepillo, en busca de contacto de las cerdas de dicho cepillo con el suelo. El área de contacto de las cerdas del cepillo con el suelo debe tener una anchura de 5 a 8 cm.

MANTENIMIENTO GENERAL DE LA MÁQUINA**AJUSTE DEL NIVEL DEL CEPILLO PRINCIPAL**

El nivel del cepillo principal se ajusta en fábrica y no debería necesitar ajustes; si el nivel se desajusta y el patrón de contacto de las cerdas del cepillo no tiene una anchura regular de 5 a 8 cm: ajuste el bastidor de elevación del brazo del cepillo. El bastidor está sostenido por dos cojinetes con brida. Estos cojinetes están situados dentro de las puertas de los cepillos. Los pernos de carro en las dos bridas de los extremos deben aflojarse. Después es posible nivelar el bastidor y apretar los pernos.

CÓMO AJUSTAR EL PATRÓN DE DESGASTE DEL CEPILLO PRINCIPAL

Cuando las cerdas del cepillo se empiezan a desgastar, pueden realizarse los siguientes ajustes para mantener un patrón del cepillo de 5 cm.

1. Afloje la tuerca situada en el compartimento del motor.
2. Sitúe la palanca del cepillo en la posición "Sweep" (barrer) y ajuste la contratuerca para obtener un patrón de barrido de 5 cm. La contratuerca moverá la varilla de ajuste que ajusta el patrón de barrido del cepillo para el desgaste.

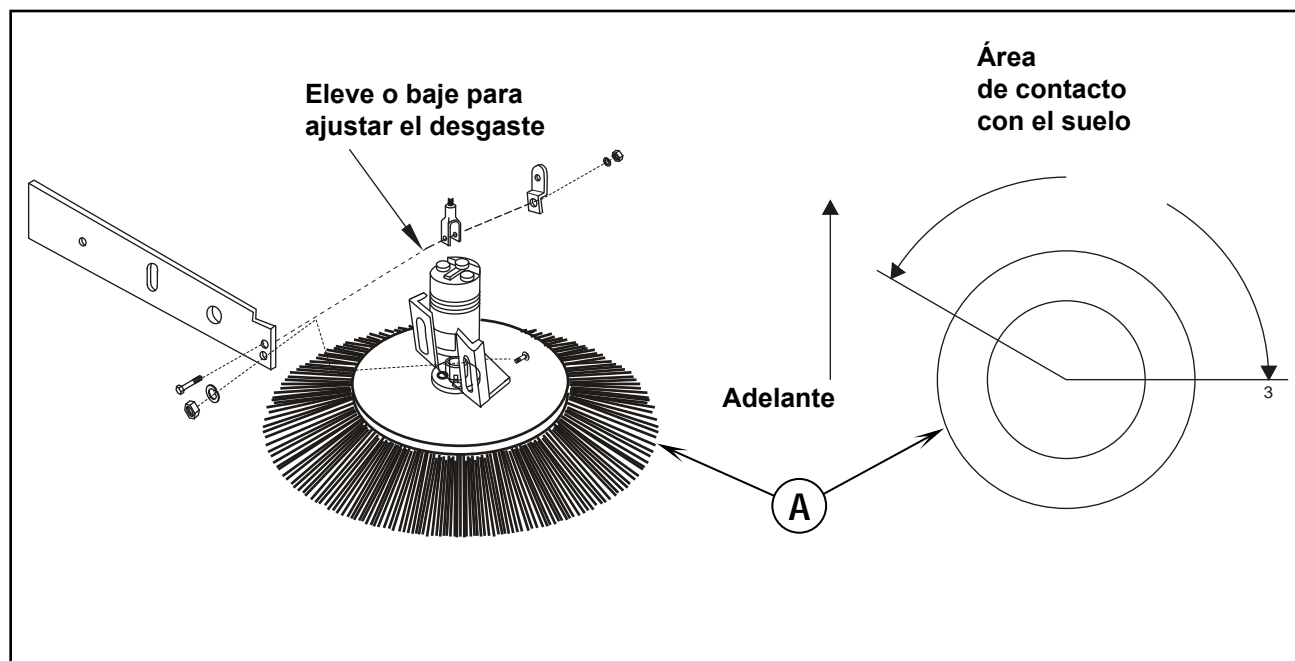


FIGURA 25

AJUSTE DEL NIVEL DEL CEPILLO LATERAL

A medida que el cepillo lateral (A) se desgaste, afloje los dos pernos de ajuste para desgaste y deslice el conjunto del motor de los cepillos a una posición tal que el cepillo contacte con el suelo a un ángulo de 3° cuando se baje como se muestra en la figura 25.

SUSTITUCIÓN DEL CEPILLO LATERAL

Coloque el control de elevación del cepillo lateral en la posición "UP" (arriba). Retire el tornillo de retención en la mitad inferior del cepillo lateral. Retire el cepillo lateral. Transfiera el separador y los tornillos de la brida del cepillo al cepillo lateral de repuesto. Coloque el cepillo lateral de repuesto en el eje. Coloque el tornillo de retención en su lugar y apriete.

MANTENIMIENTO GENERAL DE LA MÁQUINA

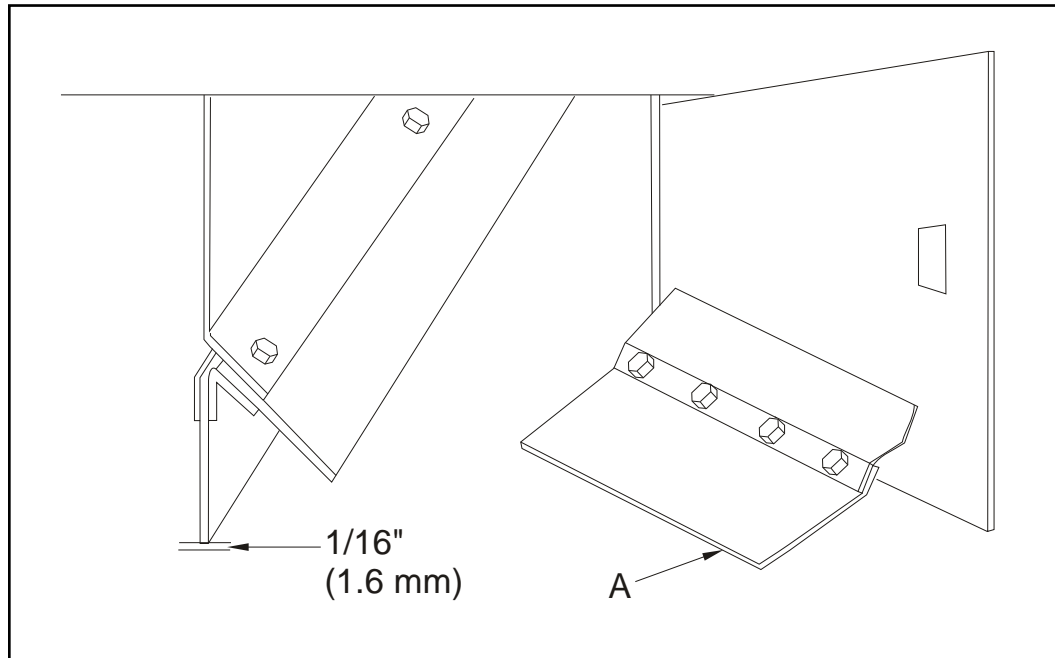


FIGURA 26

ALETAS

Las aletas de uretano y goma son susceptibles de sufrir daños, y deben inspeccionarse regularmente y mantenerse en buen estado. Las aletas laterales son ajustables y deben mantenerse aproximadamente a 1,6 mm sobre el suelo. Ajuste la aleta de forma regular respecto al suelo (**A**). Las aletas frontal y trasera no tienen forma de ajustarse.

Todas las aletas deben sustituirse cuando estén desgastadas o dañadas de tal forma que no puedan realizar su función.

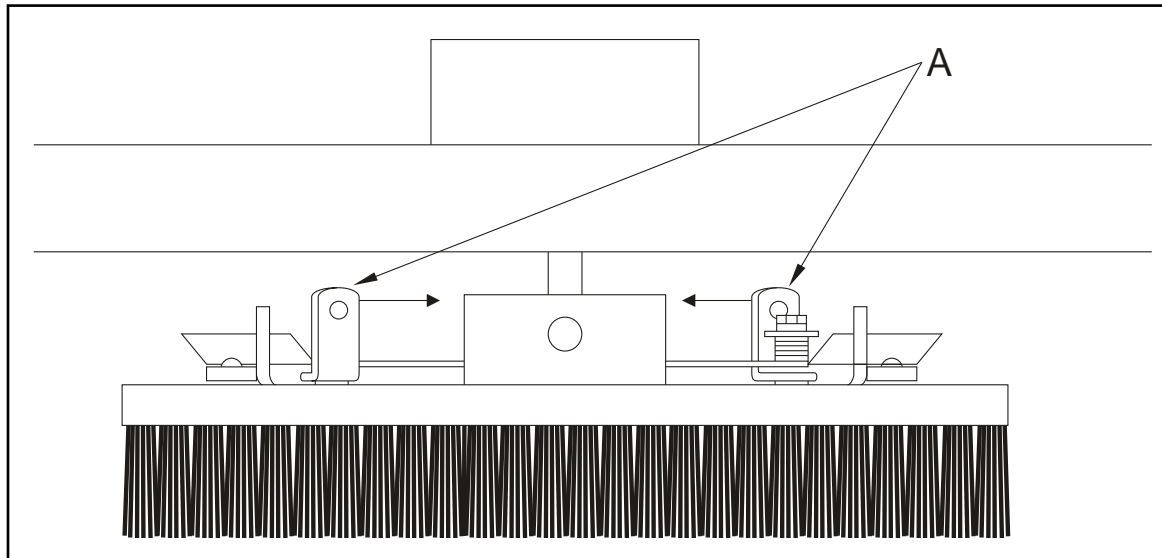
MANTENIMIENTO GENERAL DE LA MÁQUINA

FIGURA 27

SUSTITUCIÓN DEL CEPILLO DE FREGADO

1. Eleve el portacepillos de fregado presionando el interruptor "Scrub Brush" (cepillo de fregado) en el panel de instrumentos.
2. Presione los seguros del cepillo (A) hacia dentro para soltar el cepillo de fregado.
3. Retire el cepillo de fregado antiguo.
4. Encaje el nuevo cepillo en su lugar.

CUBIERTAS Y SEGUROS

Las cubiertas se han diseñado para permitir el acceso, gracias a sus bisagras o retirándolas, a todas las áreas de la máquina. No requieren ningún mantenimiento. Para conocer cómo lubricar los seguros, consulte la sección sobre lubricación.

LUZ DE ADVERTENCIA DE LA SOLUCIÓN

La luz de advertencia de la solución se ilumina cuando el depósito de la solución está vacío. Esta parte del sistema de control de nivel no requiere mantenimiento. Si el sistema no funciona, consulte la Guía de resolución de problemas eléctricos.

LUZ DE ADVERTENCIA DE RECUPERACIÓN

La advertencia de recuperación se ilumina aproximadamente 5 minutos antes de la pérdida de aspiración al depósito de recuperación. Esta parte del sistema de control de nivel no requiere mantenimiento, excepto la limpieza diaria del interruptor de nivel del depósito. Si el sistema no funciona, consulte la Guía de resolución de problemas eléctricos.

CONTROL DE LA SOLUCIÓN (SIN RECICLAJE O ESTÁNDAR)

La palanca de control de la solución controla la cantidad de solución que se aplica a los cepillos de fregado. Excepto por unas pocas gotas de aceite que se aplican al pivote de la palanca cada 100 horas, el sistema no debería requerir ningún mantenimiento importante.

El control de la solución debería desconectarse completamente situando la palanca en la posición de desconexión (trasera). Si no se produce una desconexión completa, es necesario ajustar el cable de control.

CONTROL DE LA SOLUCIÓN (SISTEMA DE RECICLAJE O ESP).

En el modo de reciclaje, la palanca de control de la solución también se utiliza para activar la bomba de detergente. Si la bomba de detergentes no funciona (con el motor en funcionamiento) cuando la palanca de control de la solución se mueve al rango de bajo a alto, compruebe primero el circuito activando el interruptor manualmente. Si la bomba de detergentes no funciona en ese momento, se recomienda una comprobación eléctrica o mecánica. (Consulte la Guía de resolución de problemas eléctricos o Resolución de problemas de la bomba de detergente).

MANTENIMIENTO GENERAL DE LA MÁQUINA

SISTEMA DE BOMBA DE RECICLAJE O ESP

La bomba de reciclaje está situada directamente detrás y debajo del depósito de recuperación. La bomba es eléctrica y, excepto por la limpieza diaria de las cribas de admisión de la bomba, no requiere ningún mantenimiento regular.

NOTA

No haga funcionar la bomba en seco. La unidad depende del líquido bombeado para la lubricación.

ALMACENAMIENTO DE LA BOMBA DE RECICLAJE (ESP)

Vacíe la bomba siempre para un almacenamiento prolongado, especialmente si pueden producirse temperaturas bajo cero.

RASQUETA TRASERA

La rasqueta requerirá mantenimiento cuando los bordes interiores de las hojas se vuelvan redondeados debido al desgaste, lo que dificultará la acción de fregado o la recogida del agua. Para el mantenimiento o la reparación de la rasqueta trasera, utilice los siguientes pasos:

1. Afloje los cuatro botones de aluminio, elemento **10** (sostienen la herramienta de la rasqueta al soporte de la misma).
2. Retire la herramienta de la rasqueta y póngala boca abajo para el mantenimiento de las hojas o las ruedas pivotantes. Las hojas de las rasquetas se han diseñado para poder darles la vuelta y utilizar el borde sin desgastar (elementos **5 y 6**).

PARA REALIZAR EL MANTENIMIENTO DE LAS HOJAS:

1. Afloje los pernos de fijación, que fijan los elementos **8 y 9** entre sí.
2. Afloje lo suficiente como para deslizar los soportes de fijación del extremo fuera de la herramienta de la rasqueta. Esto permitirá dar la vuelta a las hojas o instalar unas nuevas.
3. Instale hojas de manera que la hoja exterior sea 4,7 mm más larga que las hojas interiores; esto se logra montando el borde superior de la hoja contra la soldadura de la herramienta de la rasqueta.
4. Vuelva a instalar la banda de fijación de la rasqueta y apriete el perno de fijación firmemente.

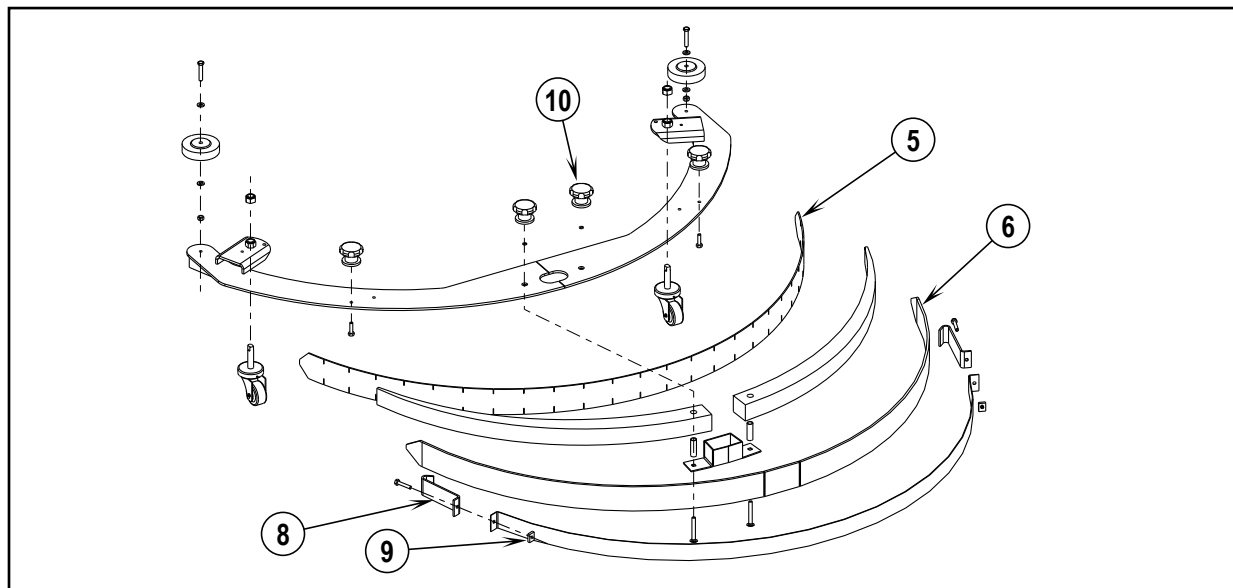


FIGURA 28

RUEDAS PIVOTANTES DE LAS RASQUETAS

Engrase los engrasadores Zerk de las ruedas pivotantes (2); las 3 ruedas pivotantes deben engrasarse cada vez que se realice el mantenimiento de las hojas.

AJUSTE DE LAS RUEDAS PIVOTANTES

Baje la rasqueta a una superficie plana, y asegúrese de que la hoja de la rasqueta trasera está perpendicular respecto a la superficie. Ajuste la rueda pivotante a 4,76 mm por encima de la superficie plana, fije las contratuercas.

RESOLUCIÓN DE PROBLEMAS GENERALES

<u>PROBLEMA</u>	<u>CAUSA PROBABLE</u>	<u>SOLUCIÓN</u>
El barrido no funciona	<ol style="list-style-type: none"> 1. Puerta de descarga cerrada 2. La tolva está elevada 3. Interruptor de la tolva mal ajustado 	<ol style="list-style-type: none"> 1. Abra la puerta de descarga 2. Baje la tolva 3. Ajuste el interruptor de la tolva
Mala recogida de agua en la rasqueta	<ol style="list-style-type: none"> 1. La rasqueta posterior o lateral está desgastada o dañada 2. Obstrucción en la recogida de agua 3. Fugas de aire en el tubo y la conexión de succión 4. Fugas de aire en la cubierta del depósito de recuperación, las juntas del colector, o ambas 5. Mal vacío 6. El tubo de vaciado o el tapón de vaciado tienen fugas o no están bien cerrados. 	<ol style="list-style-type: none"> 1. Examine la hoja de goma de la rasqueta por si tiene cortes o puntos desgastados. 2. Repare o sustituya el tubo y la conexión. 3. Repare o sustituya las juntas 4. Compruebe el sello del depósito de recuperación 5. Compruebe el motor de aspiración 6. Cierre, repare o sustituya el tapón de vaciado en el depósito de recuperación.
Derrame de agua de la rasqueta	<ol style="list-style-type: none"> 1. Mal contacto con el suelo de las hojas de la rasqueta lateral. 2. Hojas de la rasqueta gastadas o dañadas 3. Se aplica demasiada solución antes de tomar curvas. 4. Los cepillos giran en la dirección contraria 	<ol style="list-style-type: none"> 1. Reajuste las hojas para que hagan un contacto adecuado 2. Cambie o ajuste 3. Desconecte la solución de 5 a 10 min 4. Compruebe la posición de los interruptores.
Falta de succión en la parte posterior	<ol style="list-style-type: none"> 1. Obstrucción el tubo de succión o la herramienta de recogida 2. Conexiones sueltas entre el tubo de succión y la rasqueta, o entre los tubos y la entrada del colector. 3. El motor de aspiración no funciona 4. Caja del flotador de aspiración obstruida 5. Flotador de aspiración desconectado 	<ol style="list-style-type: none"> 1. Desconecte el tubo de succión de la rasqueta; lave la rasqueta y los tubos. 2. Compruebe las conexiones de todos los tubos por si están sueltas o dañadas. 3. Compruebe el motor hidráulico en la recuperación. 4. Limpie el metal perforado perfectamente 5. Exceso de solución en el depósito de vaciado de recuperación Acumulación excesiva de espuma, cambie la mezcla de productos químicos de limpieza. Use materiales aprobados por Advance.

RESOLUCIÓN DE PROBLEMAS GENERALES

<u>PROBLEMA</u>	<u>CAUSA PROBABLE</u>	<u>SOLUCIÓN</u>
Mal fregado	<ol style="list-style-type: none"> 1. Cepillos de fregado desgastados 2. Método de trabajo incorrecto 3. Agente limpiador o mezcla de limpieza incorrecta 4. Mala distribución de la solución 	<ol style="list-style-type: none"> 1. Inspeccione los cepillos. Si se han desgastado hasta 1,3 cm o menos, cambie los 3 cepillos 2. Compruebe los procedimientos de fregado, la presión de los cepillos, el tipo de cepillo, el caudal de la solución y el producto químico de limpieza utilizado. En el caso de condiciones extremas, puede ser necesario fregar dos veces. 3. Use materiales recomendados por Nilfisk. 4. Limpie el tubo de distribución y los orificios de medición que van a los cepillos. Compruebe el tubo de alimentación y limpie si es necesario. Compruebe el sistema de control de la válvula y el cable.
El motor funciona, pero la máquina no se mueve a nivel del suelo.	<ol style="list-style-type: none"> 1. El pedal, la biela o ambos se han atascado o no están ajustados. 2. Ruedas delanteras atascadas o frenos bloqueados 3. Problemas en la bomba hidráulica 4. Motor hidráulico de la rueda trasera, chaveta del eje rota, eje roto, etc. 	<ol style="list-style-type: none"> 1. Compruebe la biela del pedal 2. Compruebe ruedas y frenos 3. Compruebe y repare la bomba, compruebe la válvula de remolque. Consulte la información de CESSNA. 4. Compruebe y repare. Consulte la información de Char-Lynn.
La máquina se mueve lentamente	<ol style="list-style-type: none"> 1. Nivel del aceite hidráulico bajo 2. Resistencia en el freno 3. Temperatura del aceite hidráulico demasiado alta 4. Desgaste de la bomba hidráulica o el motor de la rueda de tracción 	<ol style="list-style-type: none"> 1. Añada aceite al depósito 2. Compruebe los frenos 3. Compruebe el nivel del aceite; añada SAE 5 (FORD tipo F) ATF, si es necesario 4. Consulte la información sobre la bomba hidráulica CESSNA
La bomba hidráulica hace un ruido excesivo	<ol style="list-style-type: none"> 1. Obstrucción en el filtro de entrada o la conducción de succión 2. Burbujas de aire en el líquido hidráulico 3. La bomba hidráulica está desgastada o dañada 	<ol style="list-style-type: none"> 1. Limpie el filtro de entrada. Vacíe y lave el depósito si el aceite está sucio. Rellene con SAE 5 (FORD tipo F) ATF. 2. Compruebe si el nivel del líquido hidráulico es bajo, o si hay fugas en los accesorios o los tubos 3. Consulte la sección sobre la bomba CESSNA.

ESPECIFICACIONES TÉCNICAS (SEGÚN LA INSTALACIÓN DE LA UNIDAD Y LAS PRUEBAS A LAS QUE SE HA SOMETIDO)

Modelo		7765 gasolina (descarga variable)	7765 LPG (propano líquido) (descarga variable)
Nº de modelo		56514925	56514926
Nivel de presión sonora (IEC 60335-2-72: 2002 Amend. 1:2005, ISO 11201)	dB (A)	87	87
Nivel de potencia acústica (IEC 60335-2-72: 2002, enmienda. 1:2005, ISO 3744)	dB (A)	Lwa 109,0	Lwa 109,0
Peso total	kg	1.973	1973
Vibraciones en los controles manuales (ISO 5349-1)	m/s ²	0,70 m/s ²	0,70 m/s ²
Vibraciones en el asiento (EN 1032)	m/s ²	0,20 m/s ²	0,20 m/s ²
Capacidad ascendente			
Transporte		14,1% (8°)	14,1% (8°)
Limpeza		10,5% (6°)	10,5% (6°)

Modelo		7765 diesel (descarga variable)	7765 gasolina (descarga manual)
		7765 LPG (propano líquido) (descarga variable)	7765 LPG (propano líquido) (descarga manual)
			7765 diesel (descarga manual)
Nº de modelo		56514927	56514928
		56514931	56514929
			56514930
Nivel de presión sonora (IEC 60335-2-72: 2002 Amend. 1:2005, ISO 11201)	dB (A)	87	87
Nivel de potencia acústica (IEC 60335-2-72: 2002, enmienda. 1:2005, ISO 3744)	dB (A)	Lwa 109,0	Lwa 109,0
Peso total	kg	1.973	1.769
Vibraciones en los controles manuales (ISO 5349-1)	m/s ²	0,70 m/s ²	0,70 m/s ²
Vibraciones en el asiento (EN 1032)	m/s ²	0,20 m/s ²	0,20 m/s ²
Capacidad ascendente			
Transporte		14,1% (8°)	14,1% (8°)
Limpeza		10,5% (6°)	10,5% (6°)



**Nilfisk
Advance**

setting standards

Nilfisk-Advance, Inc.
14600 21st Avenue North
Plymouth, MN 55447-3408
www.nilfisk-advance.com
Phone: 800-989-2235
Fax: 800-989-6566
©2009 Nilfisk-Advance, Inc.