

Adgressor®

Rider Scrubbers



ecoflex™ system

 **Advance**
by Nilfisk

Flexibility for every kind of clean.

The Advance Adgressor® rider-scrubber with EcoFlex™ System lets you clean green and still meet the highest expectations for clean floors. With the industry's most flexible floor-scrubber technology, you can develop a sustainable cleaning routine and quickly adjust to whatever the job demands. Be prepared to get more out of your budget, clean with less impact to the environment and maintain clean floors when you do.



Operators can quickly and easily select the right blend of pad pressure, water and detergent to tackle any cleaning challenge. Here are just a few of the flexible cleaning modes:

- **Water Only** – Perfect for removing surface dirt and maintaining the clean look of floors. Water-only mode eliminates the impact of detergents on the environment and reduces cleaning costs.
- **Ultra-low Detergent** – Well suited for routine cleaning where a small amount of green-certified detergent will do the trick. Water and detergent are dispensed separately at the scrub deck, eliminating solution waste.
- **Standard Detergent** – The tough cleaning you expect. At standard detergent, pad pressure and flow rate, you'll have a combination powerful enough to pull stubborn dirt, grease, and oil from the surface.
- **Burst of Power** – For deep, restorative cleaning or unexpected challenges. EcoFlex's burst of power temporarily increases your machine's pad pressure, detergent use and flow rate at the touch of a button.

The Adgressor is designed as a true industrial rider scrubber with reliability, productivity, and ease of use and maintenance built in. Combining large scrub decks and solution capacities with maneuverability and speed, the Adgressor delivers high productivity. A steel chassis and metal bumpers stand up to tough operating environments while thick high density polyethylene tanks will not dent, crack, or corrode.

The Adgressor with EcoFlex System delivers the flexibility to clean your floors more efficiently. By using a system that cleans like you do, you'll reduce your cost to clean and create a more sustainable cleaning program.

Ride on to labor savings!



Advance Adgressor® with 35 inch scrub deck cleans up to 46,200 square feet in 1 hour at 3 mph.

46,200 sq ft



1 hour

Walk-behind scrubber with 32 inch scrub deck cleans up to 28,160 square feet in 1 hour at 2 mph.

28,160 sq ft



1 hour

Considering only the labor savings from the increased productivity of a rider over a walk behind, the additional price of a rider is typically paid back in less than one year. This does not even include the productivity gains from having an operator that is more energized to accomplish other cleaning activities after scrubbing since they are:

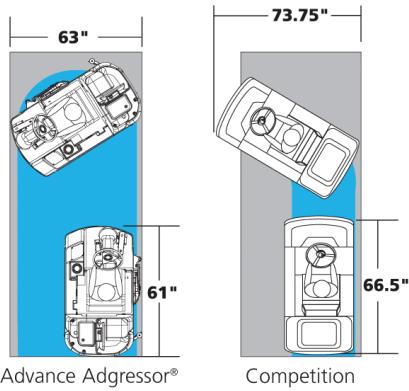
- **Scrubbing for less time – Leaving more time for other maintenance tasks.**
- **Sitting and scrubbing – conserving energy for other tasks.**

- 1 Comfortable full size operator compartment has excellent field of vision with Clear-View™ sight lines
- 2 Large recovery tank opening provides easy, unobstructed cleaning
- 3 One Touch™ control panel for all scrub functions. Includes all indicators/gauges
- 4 Optional EcoFlex™ System offers green and clean flexibility
- 5 Variable volume horn and backup alarm are standard
- 6 High capacity and rugged polyethylene solution and recovery tanks are crack, dent and chemical resistant
- 7 Steering column tilts for comfort and easy boarding



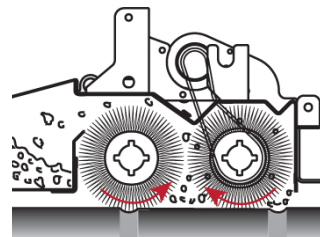
- 8 Solution tank has EasyFlow drain hose, for clean and controlled dumping
- 9 Mechanical safety brake with parking brake standard
- 10 Metal bumpers for added machine protection
- 11 UltraFlow™ – unique design increases air speed in squeegee for better pick up and dryer floors
- 12 QuickChange™ – no tools interchangeable deck system
- 13 Heavy-duty side skirts leave floors dry and safe

Food and Beverage Distribution/Warehousing Municipalities
 Universities Manufacturing Government Buildings
 Transportation Facilities Stadiums and Arenas Large Retail/Malls



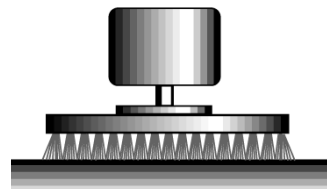
EcoFlex™ System models have One-Touch™ activation for an on-demand cleaning burst of power.

Deck Type: What's Right For You?



Cylindrical Benefits

- Debris pick up to eliminate pre sweeping
- Better cleaning of rough grouted floors



Disc Benefits

- More aggressive scrubbing of smooth floors
- Can use less solution

Superior turning, sight lines and compact size allows the Adgressor® to clean where others can't.

Technical Specifications

Models	Adgressor® 3220	Adgressor® 3520	Adgressor® 3820
Scrub Path	32 in (81 cm)	35 in (89 cm)	38 in (97 cm)
Max. Productivity at 4.0 mph	56,320 ft ² /hr	61,600 ft ² /hr	66,880 ft ² /hr
Max. Productivity at 2.5 mph	35,200 ft ² /hr	38,500 ft ² /hr	41,800 ft ² /hr
Solution Tank	42 gal (157 L)	42 gal (157 L)	42 gal (157 L)
Recovery Tank	42 gal (157 L)	42 gal (157 L)	42 gal (157 L)
Brush Drive			
Disc	1.5 hp (1)	0.6 hp (3)	0.6 hp (3)
Cylindrical	Two 0.75 hp, 560 Watt motors on opposing ends, poly-V belt brush drive		
Scrub Deck			
Disc	Manual-adjusting side skirts contain solution		
Cylindrical	Includes hopper for collecting small litter. Auto-adjusting side skirts contain solution		
Brush Speed	Disc 250 rpm, Cylindrical 900 rpm		
Brush Pressure	Programmable 3 settings up to 250 lb (113 kg)		
Drive System	1.5 hp motor with gear transmission, band brake and dynamic braking. Programmable speeds up to 4.5 mph (7.3 kph)		
Gradeability	Transport - 20% / 11.5 deg., Working (scrubbing) - 8% / 4.6 deg		
Min. Turn-around Aisle Width	63 inch (160 cm) with a 32 inch deck		
Voltage	36 Volt for more power and longer run time		
Power Source	310 Ah or 420 Ah wet or 312 AGM maint-free battery options		
Battery Charger	Option of shelf or onboard charger		
Solution Control Cycles – All Models	Smart Solutions™ is standard providing better water and chemical utilization and fewer dump and refills		
Vacuum Motor	0.75 hp 3-stage with optional dual vacuum		
Sound Level	68 dB A at operator's position		
Frame Dimensions	Length = 61 in (155 cm), Width = 32 in (82 cm), Height = 53 in (135 cm)		
Squeegee Width	36.6 in (93 cm)	42.1 in (107 cm)	45.1 in (115 cm)
Weight	Machine Only 657 lb (298 kg). With full tank and standard batteries 1,553 lb (705 kg)		
Optional EcoFlex™ System Specifications			
Solution Flow Pump Dilution Ratios Refillable Cartridge Capacity Battery Watering System	32:1, 50:1, 64:1, 100:1, 128:1, 150:1, 200:1, 256:1, 300:1 1.25 gal (4.75 L)		

Specifications are subject to change without notice.



Optional Accessories

- Right side edging broom
- Headlight kit
- Safety strobe light kit
- Cool Tool™ Scrub & Vac™ kit
- Dual vac kit
- Onboard charger
- Battery water level indicator
- Dual arm rest kit
- Seat belt kit
- Rear scrubber compound tires
- Oil-resistant neoprene, squeegee and scrub deck blades
- Full range of brushes and pad holders for light to aggressive scrubbing

Ask about our leasing options.

Reach a new standard of cleaning power.
Visit <http://www.advance-us.com> or contact your
Advance sales representative to learn more.

©2017 Nilfisk, Inc. Form L1567A 5-8-17



Features and Benefits

- Available with EcoFlex™ System
- One-Touch™ electronic function controls are conveniently located to keep operation simple and safe
- "Quick Change™" scrub deck interchange system provides eight unique decks for one standard machine
- Easy access to batteries and other components assures minimal down time
- Low sound level 68 dB A, permits operation anywhere, anytime
- Flexibility to custom fit your application
- Best in class productivity
- Easy to use – Easy to maintain
- The most machine for your cleaning dollar

Smart cleaning.

Our products are designed using innovative technologies that increase productivity and drive down the cost to clean.

Maintain peak performance with Nilfisk Parts.

Nilfisk, Inc.

9435 Winnetka Avenue North
Brooklyn Park, MN 55445
www.advance-us.com
Phone 800-214-7700
Fax 800-989-6566

240 Superior Boulevard
Mississauga, Ontario, Canada L5T 2L2
www.nilfisk-advance.ca
Phone 800-668-8400
Fax 800-263-5111

