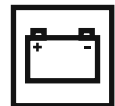
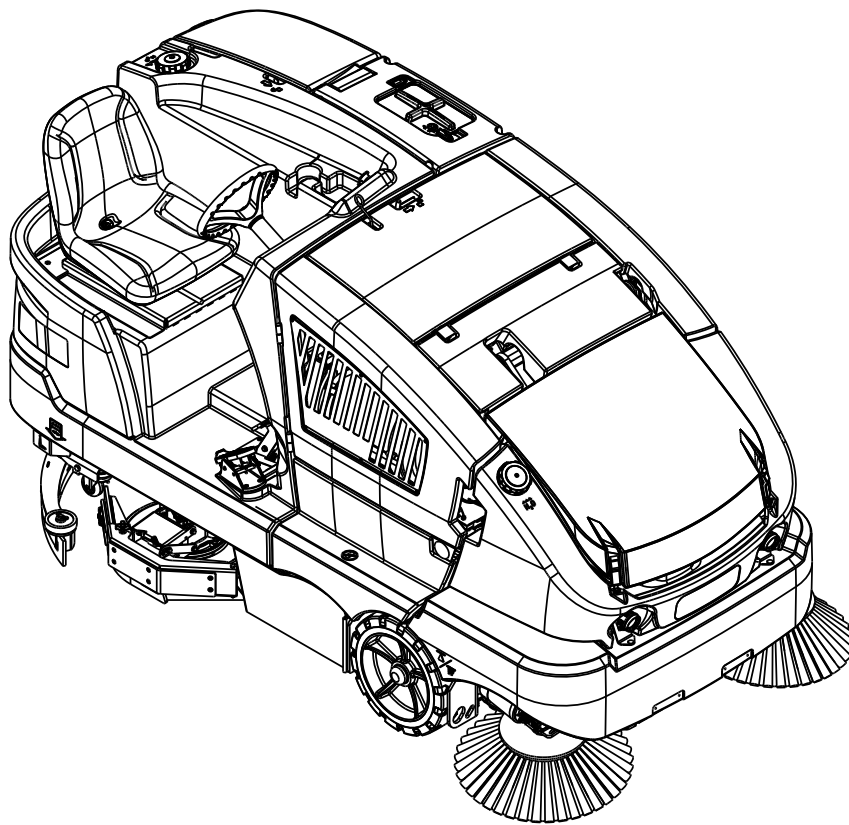


CS7010

Parts List

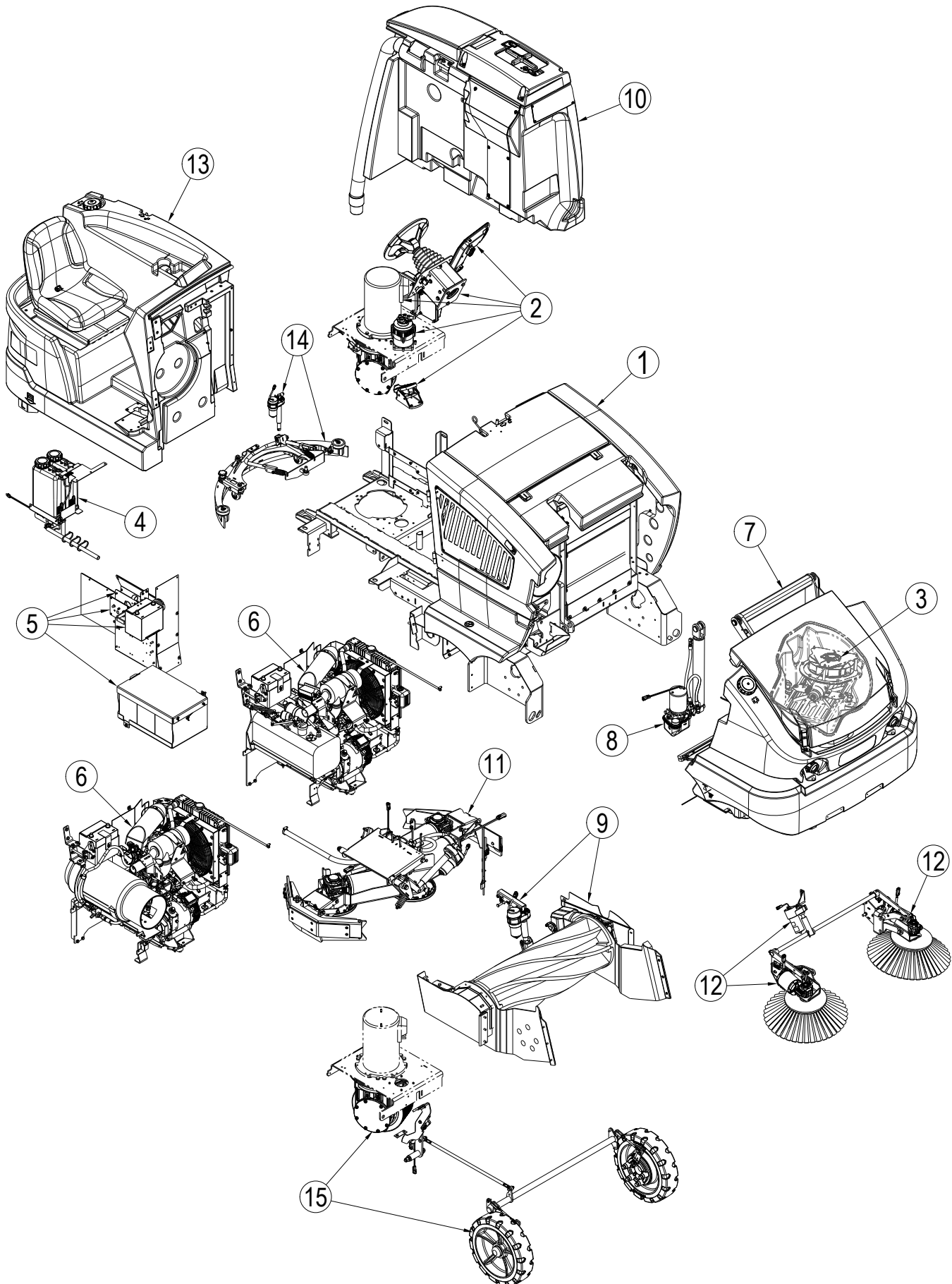
12/2016 REV A
Form no. 56042665



Models:

56511710(48 LPG Hybrid), 56511711(48 LPG Hybrid EcoFlex) 56511712(48 Diesel Hybrid),
56511713(48 Battery), 56511810(48 Diesel Hybrid EcoFlex), 56511811(48 Battery EcoFlex),
56511812(48 Fuel Cell EcoFlex), 56511813(48 Gasoline Hybrid EcoFlex),
56511814(48 Gasoline Hybrid), 56511819(48 Fuel Cell)

GENERAL VIEW



GENERAL VIEW

Kit	Item	Ref. No.	Qty	Description
	1		1	Chassis System
	2		1	Control System
	3		1	Dust Control System
	4		1	Ecoflex™ Assembly
	5		1	Electrical System
	6		1	Engine Systems
	7		1	Hopper System
	8		1	Hydraulic System
	9		1	Main Broom System
	10		1	Recovery System
	11		1	Scrub System
	12		1	Side Broom System
	13		1	Solution System
	14		1	Squeegee System
	15		1	Wheel System

TABLE OF CONTENTS

DESCRIPTION	PAGE
Chassis System-GASOLINE-PETROL-LPG & DIESEL	4-5
Chassis System-BATTERY	6-7
Chassis System-FUEL CELL	8-9
Chassis System-Front Engine Cover Assembly	10-11
Chassis System-Fuel Cell Front Cover Assembly	12-13
Chassis System-Engine Cover Assembly	14-15
Chassis System-Fuel Cell Engine Cover Assembly	16-17
Chassis System-Right Door Assembly	18-19
Chassis System-Left Cover Assembly	20-21
Chassis System-Pull Rod Assembly	22-23
Chassis System-Fuel Cell Pull Rod Assembly	24-25
Control System	26-27
Control System-Steering Assembly	28-29
Decal System	30-31
Dust Control System	32-33
EcoFlex™ Assembly	34-35
Electrical System	36-37
Electrical System-Circuit Breaker Panel Assembly	38
Electrical System-Contactor Panel Assembly	39
Engine System-Gasoline-Petrol	40-41
Engine Assembly-Gasoline-Petrol	42-43
Engine Sub Assembly-Gasoline-Petrol	44-45
Gasoline-Petrol Tank Assembly	46-47
Engine System-LPG LEV	48-49
Power Unit-LPG LEV	50-51
Engine Assembly-LPG LEV	52-53
Engine Base-Replacement Parts-LPG LEV	54-55
LPG Tank Assembly	56-57
Engine System-DIESEL	58-59
Engine Assembly-DIESEL	60-61
Engine Sub Assembly-DIESEL	62-63
Diesel Fuel Tank Assembly	64-65
Hopper System-1	66-67
Hopper System-2	68-69
Hydraulic System	70-71
Main Broom System	72-73
Recovery System	74-75
Scrubbing System-1	76-77
Scrubbing System-2	78-79
Scrub System-Right Skirt Assembly	80-81
Scrub System-Left Skirt Assembly	82-83
Side Broom System	84-85
Right Side Broom Arm Assembly	86-87
Left Side Broom Arm Assembly	88-89
Solution System-1	90-91
Solution System-2	92-93
Squeegee System	94-95
Squeegee Assembly	96-97
Wheel System	98-99
Wheel System-Brake Linkage Assembly	100-101
Ladder Diagrams	102-119
Optional Kits & Accessories	120-121
Recommended Spare Parts	122
Brush Selector Guide	123
Broom Selector Guide	124
Squeegee Blade Selector Guide	125

WHEN ORDERING PARTS

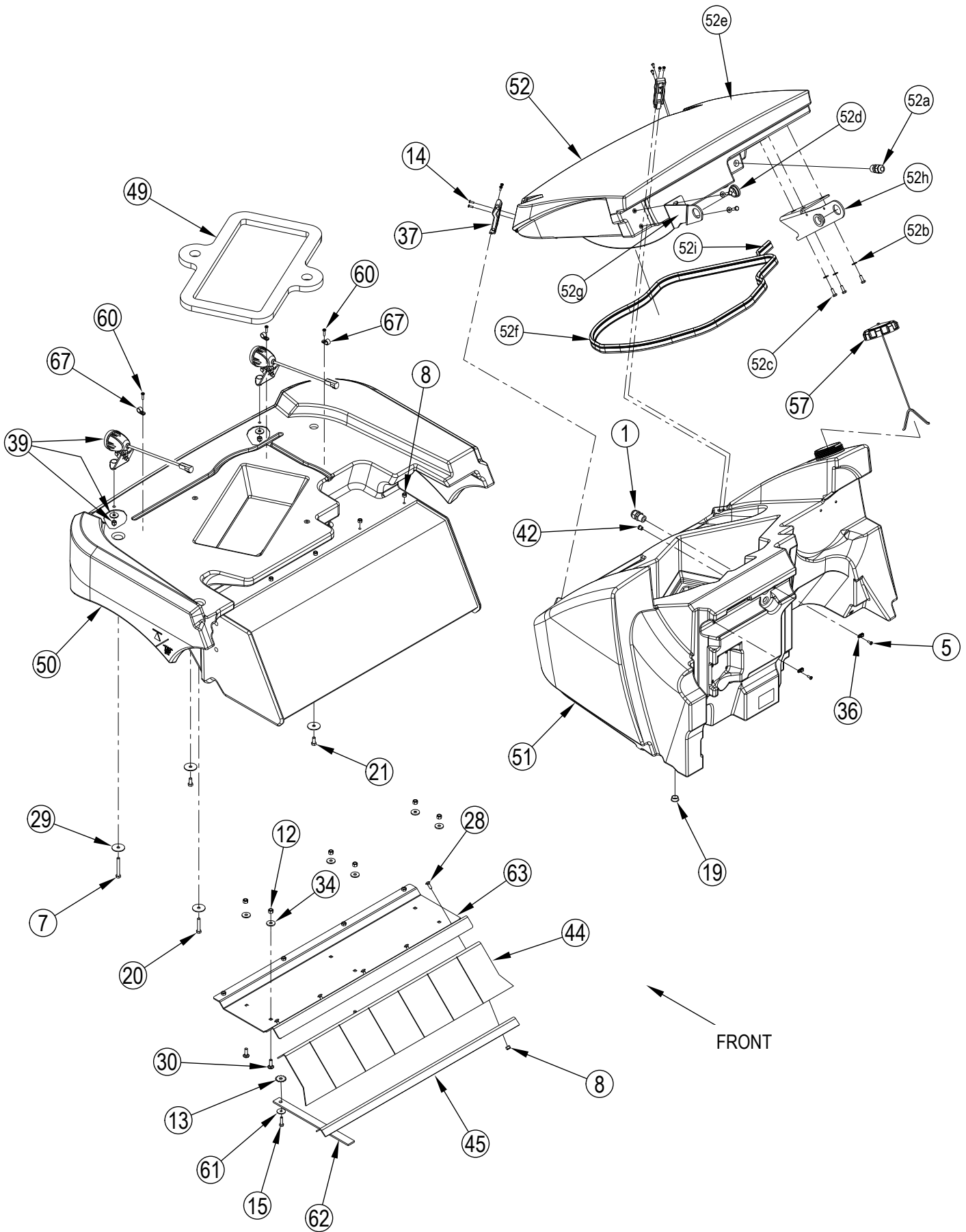
- * Use the part numbers from the "Ref. No." columns in this parts list. If the "Ref. No." column is blank; look under the "Kit" column to identify which kit contains the part in question, then use the kit callout, for example "K1", to find the "Ref. No." for that kit.

Kit	Item	Ref. No.	Qty	Description
K1	1		16	Washer Flat 3/16 Zinc Plat
K1	2		2	Screw-BHS-Brass-10-32x3/8-MS
K1	3		3	Washer EPDM 7/32 X 1/8
	4	805	1	Chain-Cover
	5	905	2	Caster Swivel 4 Gray Non MA
K1	6		2	Nut, Hex Nyl Loc 10-24
K1	7		3	Scr- Hex SS 1/4-20 X .75
K1	8		16	Scr, Hex Hd Loc 1/4-20 x .50
K1	9		3	Wsh, Flt SS .260 X 1.000 X .074
	10	56113012	1	Solution Tank
	11	56113034	2	Hinge Plate
K1		56113103	1	Kit-Hardware Solution Tank

- * Specify the model and serial number of the machine.
- * Use the space below to record the model and serial number for future reference.

Model _____ Serial No. _____

HOPPER SYSTEM-1



HOPPER SYSTEM-1

Kit	Item	Ref. No.	Qty	Description
	1	56323135	1	Strain Relief
	2	56449221	2	Bumper, 1.43 Dia
K4	3		3	Scr. Soc Hd 10-24 X 0.62
K4	4		2	Scr. Hex 5/8-11 X 1.50
K4	5		2	Scr-Pan Phil 10-24 X .50
K4	6		5	Wsh, Flt SAE #8
K4	7		1	Scr. Hex 5/16-18 X 2.50
K3,K4,K58			15	Nut, Hex Nyl Loc SS 1/4-20
K4	9		3	Nut, Hex Nyl Loc 10-24
K4	10		1	Nut, Hex Nyl Loc-Thin 5/16-18
K4	11		2	Nut, Hex Nyl Loc-Thin SS 1/4-20
K2,K4,K612			6	Nut, Hex Nyl Loc SS 5/16-18
	13	2-00-03829	1	Lock Washer, 3/8 Int./Ext. Tooth
K1,K4	14		8	Scr. Pan Phil SS 8-32 X .50
K4,K5	15	56002883	5	Scr- Hex SS 1/4-20 X 1.00
K4	16		2	Wsh, Flt Std SS 3/8
K4	17		4	Scr- Hex SS 3/8-16 X 1.50
K4	18		2	Wsh, Flt Std SS 1/4
	19	56900041	1	Plug, Cap
K4	20		1	Scr. Hex 5/16-18 X 1.75
K4	21		5	Scr- Hex SS 5/16-18 X .75
K4	22		1	Pin, Clevis .500 X 3.00
K4	23		2	Nut, Hex Nyl Loc SS 3/8-16
K4	24		2	Pin, Cotter Hair
K4	25		2	Ring, Ret Ext 1.00 Shaft
K4	26		1	Clevis Pin
K4	27		3	Wsh-Flt SS .33 X 1.00 X .060
K3,K4,K528			12	Scr-Carriage SS 1/4-20 X .75
K4	29		4	Wsh-Flt SS .344 X 1.500 X .080
K2,K4,K630			6	Scr-Carriage SS 5/16-18 X 1.00
K4	31		2	Ring, Ret Ext 1.125 Shaft
K4	32		2	Nut, Hex Jam 1/2-13
K2,K4,K6 34			6	Wsh-Flt SS .344 X 1.000 X .109
	35	56511830	2	Sensor, Proximity SW6 / SW13
	36	56469854	2	Tie Anchor
K1	37		2	Latch
	39	56383035	2	Light Assy LT2 / LT3
	[40]	56383029	2	Adapter DT06 To MP280
	41	56507941	2	Bearing, Flange 1.125 X 1.281 X .750
	42	56509079	1	Plug - Pipe 1/8 Npt Plastic
	43	56511192	1	Dump Door Assy
	43a	56002491	13	Nut, Hex Nyl Loc SS 1/4-20
	43b	56002883	7	Scr- Hex SS 1/4-20 X 1.00
	43c	56003715	6	Scr-Carriage SS 1/4-20 X .75
	43d	56009002	2	Wsh, Flt .266 X .906 X .060
	43e	56507177	2	Clamp, Hopper Door Side
	43f	56507178	2	Seal, Hopper Door Side
	43g	56511155	1	Hopper Door Weldt
	43h	56509141	1	Dump Door Pivot Weldt
	43i	56509144	1	Seal-Hopper Door Bottom
K5	43j		2	Clamp-Hopper Door Bottom
	43k	56509146	2	Seal-Hopper Door Bottom

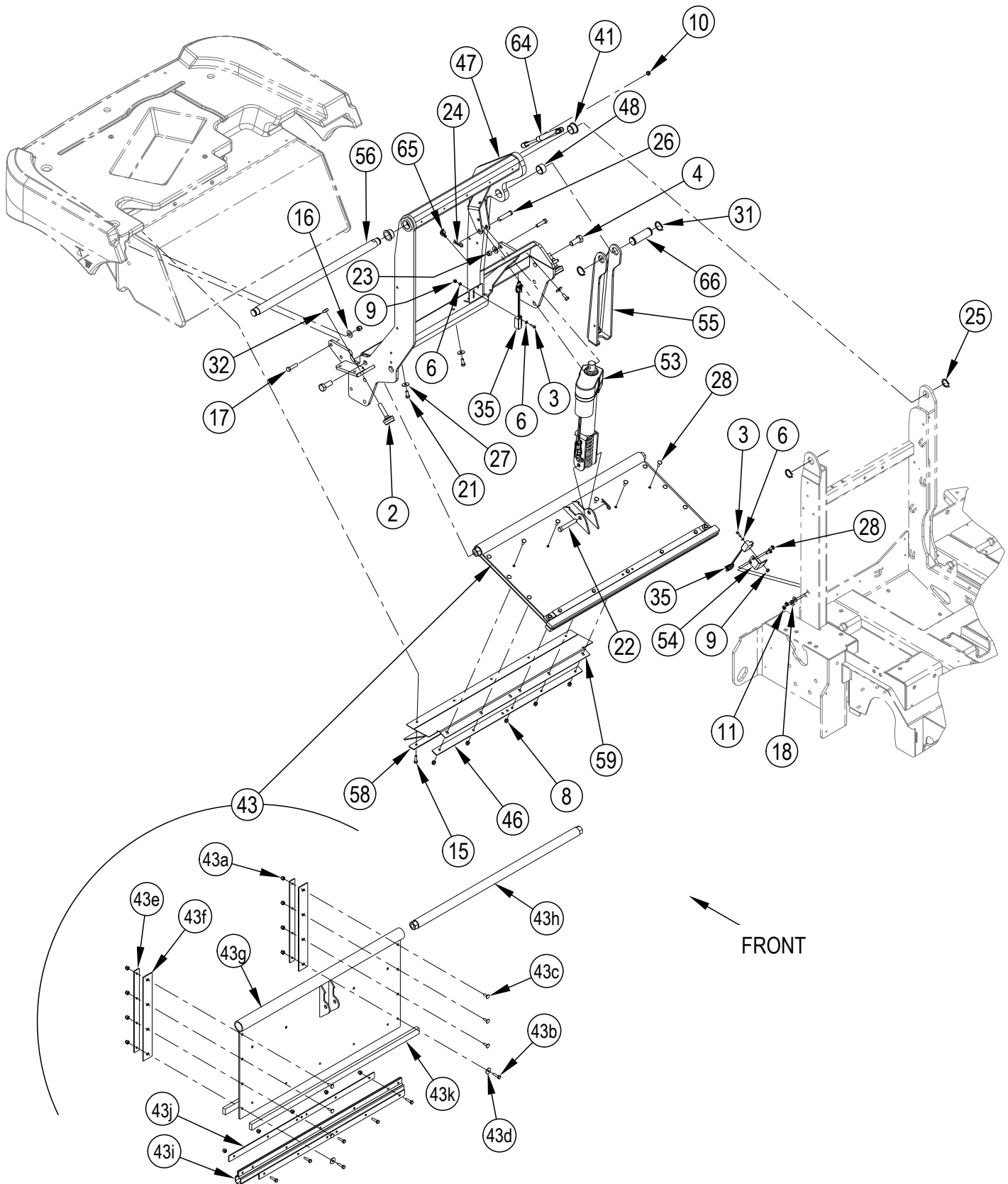
Kit	Item	Ref. No.	Qty	Description
K3	44		1	Flap-Hopper
K3	45		1	Clamp-Hopper Flap
K5	46		1	Clamp-Hopper Door Bottom
	47	56509388	1	Hopper Lift Weldment
	48	56509398	1	Bearing-Slv 1.125x1.281x0.750
	49	56509399	1	Seal-Hopper
	50	56509400	1	Hopper-Lower
	51	56509401	1	Hopper-Upper
K1	52		1	Hopper Cover Assy
K1	52a		1	Strain Relief
K1	52b		5	Wsh, Flt SAE 1/4
K1	52c		5	Scr, Hex 1/4-20 X .75
K1	52d		2	Bearing, FI 1 Id X 1-1/4 Od X 1/2 L
K1	52e		1	Cover-Hopper
K1	52f		1	Seal - Hopper Cover
K1	52g		1	Hinge-Hopper Cover Lt
K1	52h		1	Hinge-Hopper Cover Rt
K1	52i		1	Seal-Hopper Cover
	53	56511759	1	Dump Door Actuator Assy M7
	54	56383694	1	Bracket-Sensor Mounting
	55	56509798	1	Prop Rod Assy
	56	56509989	1	Bar-Hopper Hinge
	57	56510148	1	Cap-Vented W/ Tether
K5	58		1	Clamp-Hopper Door Seal
K5	59		1	Seal-Hopper Door
	60	56009005	3	Scr Panphils Type Ab 10-16x.75
K4	61		1	Wsh-Flt Ss .260 x 1.000 x .074
	62	56416517	1	Strap, Static, 12.5"
K2	63		1	Hopper Skid Weldt
	64	56510713	1	Spring-Gas
	65	56507793	1	Clip, Conduit
	66	56507885	1	Pin, Cylinder
	67	56056903	3	Clamp Loop E00129

Service Kits

K1	56510793	1	Hopper Cover Kit
K2	56510796	1	Skid Plate Kit-Hopper
K3	56510800	1	Hopper Flap Kit
K4	56511890	1	Hardware Kit-Hopper System
K5	56510801	1	Hopper Door Seal Kit
K6	56511579	1	Hopper Guard Kit

[] = Not Shown

HOPPER SYSTEM-2



HOPPER SYSTEM-2

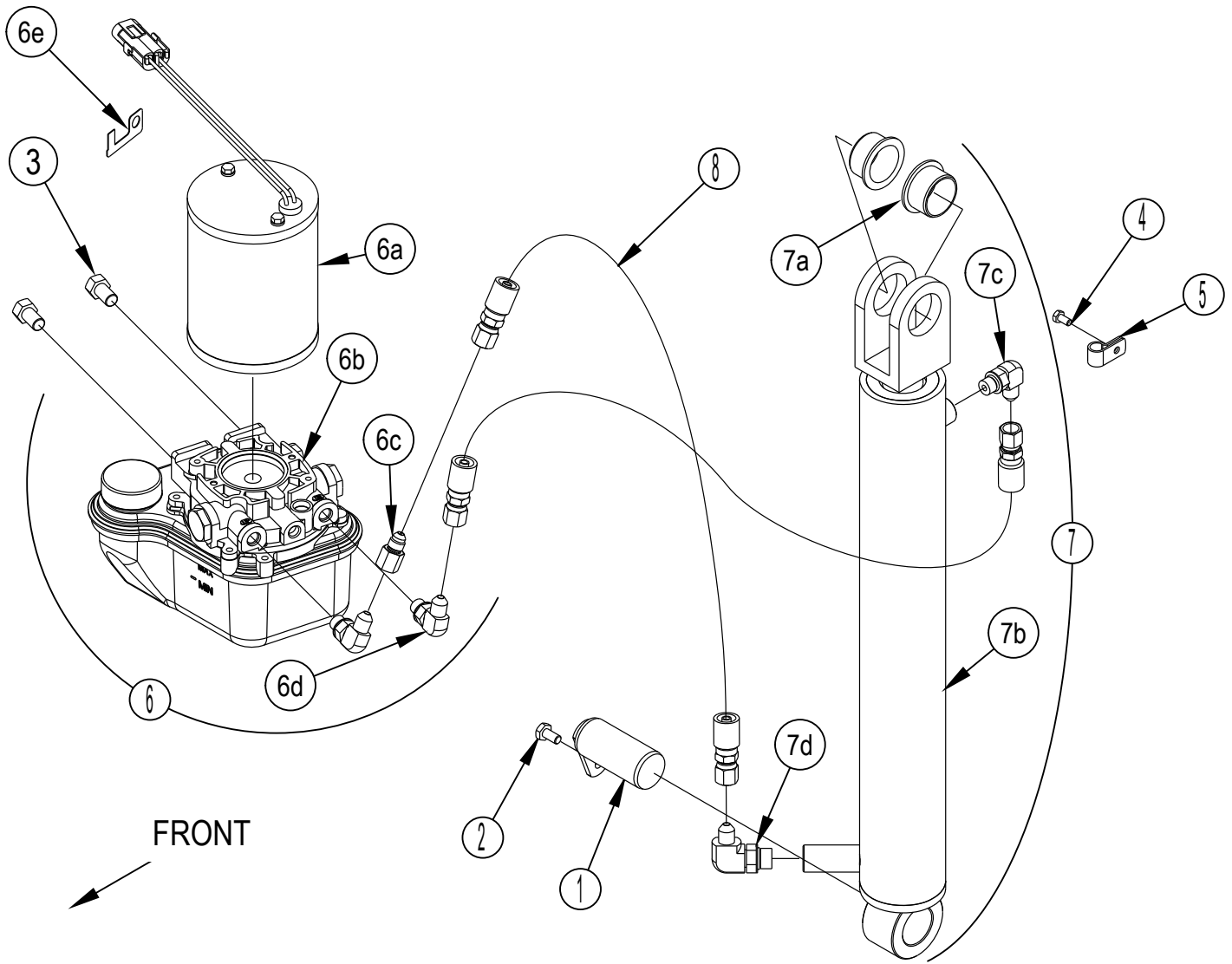
Kit	Item	Ref. No.	Qty	Description	Kit	Item	Ref. No.	Qty	Description
	1	56323135	1	Strain Relief	K3	44		1	Flap-Hopper
	2	56449221	2	Bumper, 1.43 Dia	K3	45		1	Clamp-Hopper Flap
K4	3		3	Scr. Soc Hd 10-24 X 0.62	K5	46		1	Clamp-Hopper Door Bottom
K4	4		2	Scr. Hex 5/8-11 X 1.50		47	56509388	1	Hopper Lift Weldment
K4	5		2	Scr-Pan Phil 10-24 X .50		48	56509398	1	Bearing-Slv 1.125x1.281x0.750
K4	6		5	Wsh, Flt SAE #8		49	56509399	1	Seal-Hopper
K4	7		1	Scr. Hex 5/16-18 X 2.50		50	56509400	1	Hopper-Lower
K3,K4,K58			15	Nut, Hex Nyl Loc SS 1/4-20		51	56509401	1	Hopper-Upper
K4	9		3	Nut, Hex Nyl Loc 10-24	K1	52		1	Hopper Cover Assy
K4	10		1	Nut, Hex Nyl Loc-Thin 5/16-18	K1	52a		1	Strain Relief
K4	11		2	Nut, Hex Nyl Loc-Thin SS 1/4-20	K1	52b		5	Wsh, Flt SAE 1/4
K2,K4,K612			6	Nut, Hex Nyl Loc SS 5/16-18	K1	52c		5	Scr. Hex 1/4-20 X .75
	13	2-00-03829	1	Lock Washer, 3/8 Int./Ext. Tooth	K1	52d		2	Bearing, Fl 1 Id X 1-1/4 Od X 1/2 L
K1,K4	14		8	Scr. Pan Phil SS 8-32 X .50	K1	52e		1	Cover-Hopper
K4,K5	15		5	Scr- Hex SS 1/4-20 X 1.00	K1	52f		1	Seal - Hopper Cover
K4	16		2	Wsh, Flt Std SS 3/8	K1	52g		1	Hinge-Hopper Cover Lt
K4	17		4	Scr- Hex SS 3/8-16 X 1.50	K1	52h		1	Hinge-Hopper Cover Rt
K4	18		2	Wsh, Flt Std SS 1/4	K1	52i		1	Seal-Hopper Cover
	19	56900041	1	Plug, Cap		53	56511759	1	Dump Door Actuator Assy M7
K4	20		1	Scr. Hex 5/16-18 X 1.75		54	56383694	1	Bracket-Sensor Mounting
K4	21		5	Scr- Hex SS 5/16-18 X .75		55	56509798	1	Prop Rod Assy
K4	22		1	Pin,Clevis .500 X 3.00		56	56509989	1	Bar-Hopper Hinge
K4	23		2	Nut, Hex Nyl Loc SS 3/8-16		57	56510148	1	Cap-Vented W/ Tether
K4	24		2	Pin, Cotter Hair	K5	58		1	Clamp-Hopper Door Seal
K4	25		2	Ring, Ret Ext 1.00 Shaft	K5	59		1	Seal-Hopper Door
K4	26		1	Clevis Pin		60	56009005	3	Scr Panphils Type Ab 10-16x.75
K4	27		3	Wsh-Flt SS .33 X 1.00 X.060	K4	61		1	Wsh-Flt Ss .260 x 1.000 x .074
K3,K4,K528			12	Scr-Carriage SS 1/4-20 X .75		62	56416517	1	Strap, Static, 12.5"
K4	29		4	Wsh-Flt SS .344 X 1.500 X .080	K2	63		1	Hopper Skid Weldt
K2,K4,K630			6	Scr-Carriage SS 5/16-18 X 1.00		64	56510713	1	Spring-Gas
K4	31		2	Ring, Ret Ext 1.125 Shaft		65	56507793	1	Clip, Conduit
K4	32		2	Nut, Hex Jam 1/2-13		66	56507885	1	Pin, Cylinder
K2,K4,K6 34			6	Wsh-Flt SS .344 X 1.000 X .109		67	56056903	3	Clamp Loop E00129
	35	56511830	2	Sensor, Proximity SW6 / SW13					
	36	56469854	2	Tie Anchor					
K1	37		2	Latch					
	39	56383035	2	Light Assy LT2 / LT3					
[40]	56383029		2	Adapter DT06 To MP280					
	41	56507941	2	Bearing, Flange 1.125 X 1.281 X .750					
	42	56509079	1	Plug - Pipe 1/8 Npt Plastic					
	43	56511192	1	Dump Door Assy					
	43a	56002491	13	Nut, Hex Nyl Loc SS 1/4-20					
	43b	56002883	7	Scr- Hex SS 1/4-20 X 1.00					
	43c	56003715	6	Scr-Carriage SS 1/4-20 X .75					
	43d	56009002	2	Wsh, Flt .266 X .906 X .060					
	43e	56507177	2	Clamp, Hopper Door Side					
	43f	56507178	2	Seal, Hopper Door Side					
	43g	56511155	1	Hopper Door Weldt					
	43h	56509141	1	Dump Door Pivot Weldt					
	43i	56509144	1	Seal-Hopper Door Bottom					
K5	43j		2	Clamp-Hopper Door Bottom					
	43k	56509146	2	Seal-Hopper Door Bottom					

Service Kits

K1	56510793	1	Hopper Cover Kit
K2	56510796	1	Skid Plate Kit-Hopper
K3	56510800	1	Hopper Flap Kit
K4	56511890	1	Hardware Kit-Hopper System
K5	56510801	1	Hopper Door Seal Kit
K6	56511579	1	Hopper Guard Kit

[] = Not Shown

HYDRAULIC SYSTEM



HYDRAULIC SYSTEM

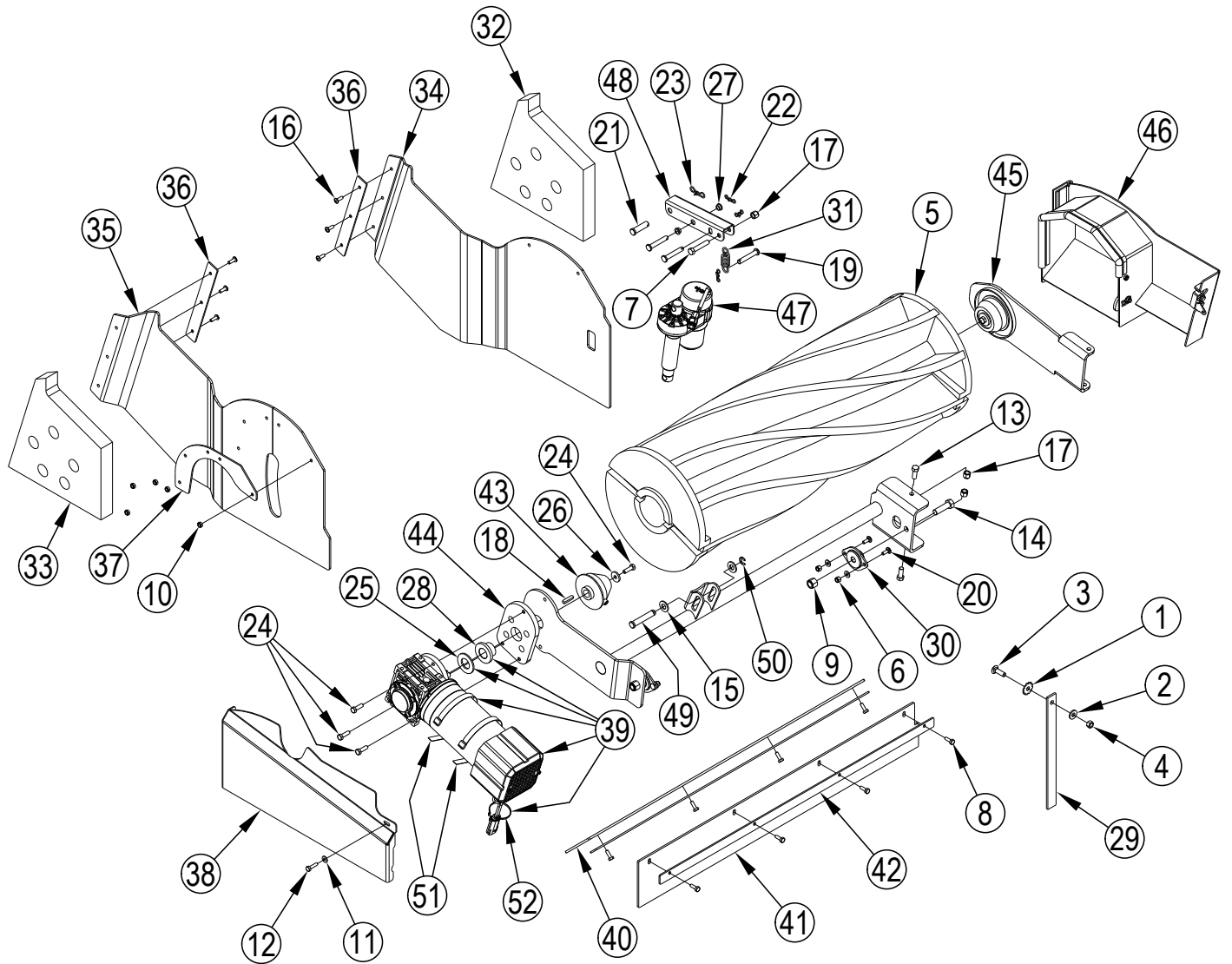
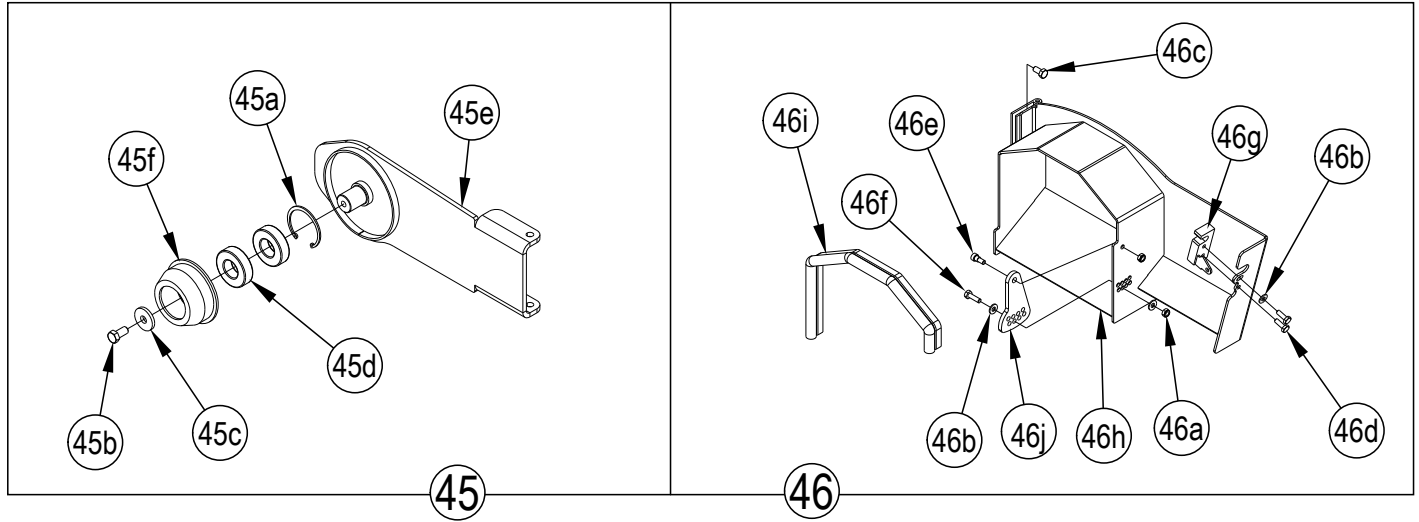
Kit	Item	Ref. No.	Qty	Description
	1	56416308	1	Left Hinge Pin Weldt
K1	2		1	Scr, Hex Hd Loc 1/4-20x.50
K1	3		2	Scr, Hex Hd Loc 3/8-16x.62
K1	4		1	Scr, Hex Thd Form 10-24 X .38
K1	5		1	Clamp-P
	6	56511837	1	Hydraulic Power Pack Assy
	6a	56511831	1	Motor 36v-3669RPM-0.55hp M11
	6b	56509374	1	Hydraulic Pump/Reservoir Assy
	[]	56509383	1	Hydraulic Reservoir Kit (for 56509374)
	[]	56509375	1	Cap-Hyd Reservoir (for 56509374)
	[]	56325157	1	O-Ring (for 56509374)
	6c	56510682	1	Fitting-Orifice
	6d	56900101	2	Elbow, 90 O-Ring
	6e	56409769	1	Clip, Weatherpack Mount
	7		1	Hopper Lift Cylinder Assy
	7a	56507941	2	Bearing, Flange 1.125 X 1.281 X .750
	7b	56509377	1	Cylinder-Hydraulic 2.00 X 13.06
	[]	56509381	1	Seal Kit (for 56509377)
	7c	56900101	1	Elbow, 90 O-Ring
	7d	56900110	1	Elbow, 90 O-Ring
	8	56509382	2	Hose Assy

Service Kits

K1	56511891	1	Hardware Kit-Hydraulic Sys
----	----------	---	----------------------------

[] = Not Shown

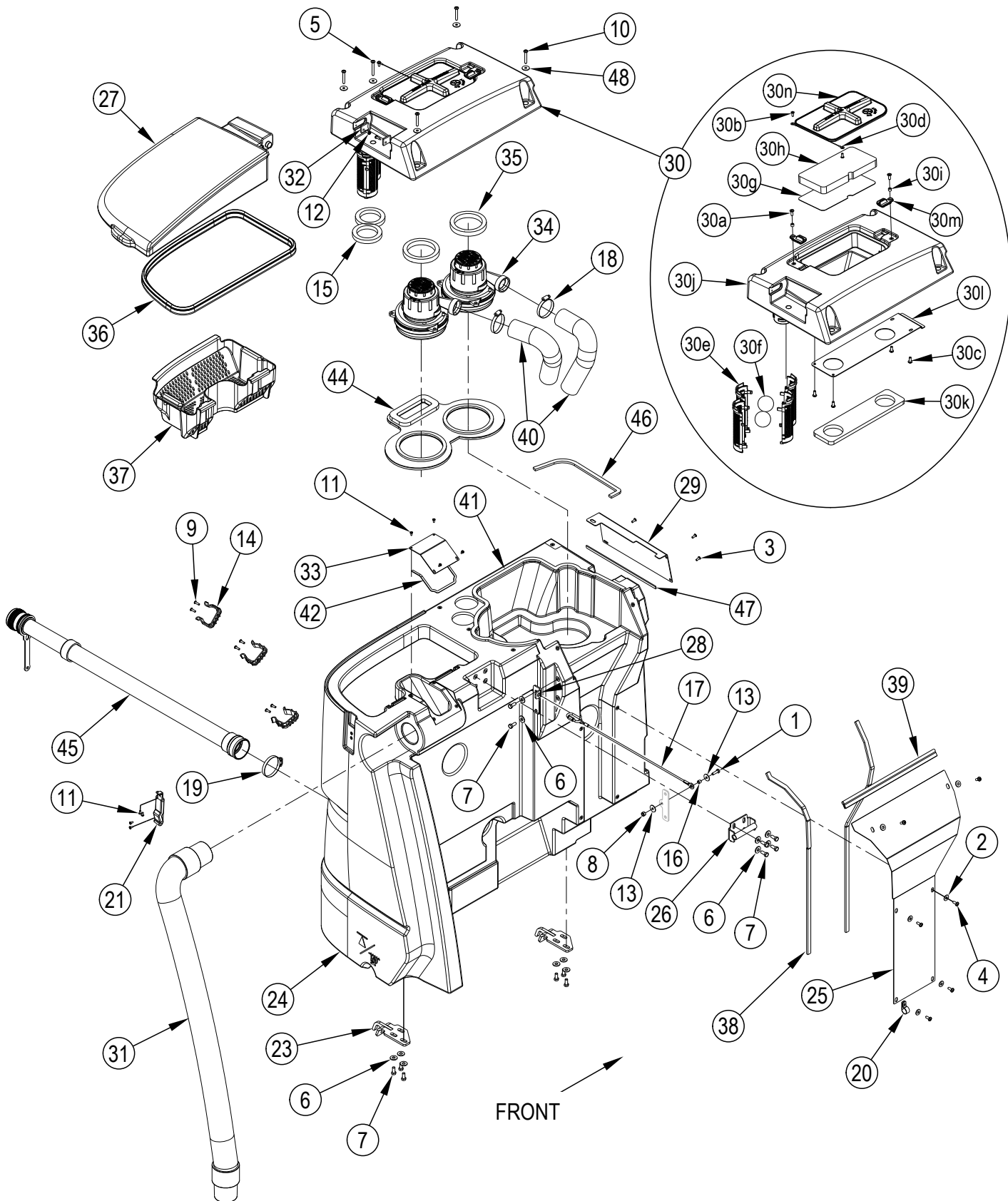
MAIN BROOM SYSTEM



MAIN BROOM SYSTEM

Kit	Item	Ref. No.	Qty	Description	Kit	Item	Ref. No.	Qty	Description
K7	1		1	Lock Washer, 3/8 Int./Ext. Tooth		46	56511187	1	Broom Door Assembly
K7	2		1	Flat Washer, 1.00 X .39 X .06		46a	56002850	2	Nut, Hex Nyl Loc-Thin SS 1/4-20
	3	2-00-05187	1	3/8-16 X 1.0", Carriage Bolt		46b	56002859	3	Wsh-Fit SAE SS 1/4
K7	4		1	Nut, Hex, Stop, 3/8-16		46c	56002937	3	Scr-Hex Loc SS 5/16-18 X .62
	5	33018858	1	Main Broom Spiral		46d	56003221	2	Scr-Hex Loc SS 1/4-20 X .75
K6,K7	6		4	Nut-Hex Nyl Loc Ss 1/4-20		46e	56003717	1	Scr, Soc Shd .31 X .25 X 1/4-20
K5,K7	7		1	Scr- Hex Ss 3/8-16 X 2.00		46f	56003844	1	Scr- Hex SS 1/4-20 X .88
K1,K7	8		8	Scr- Hex Ss 1/4-20 X .75		46g	56413802	1	Latch, Rh
K6,K7	9		2	Nut-Hex Nyl Loc Ss 1/2-13		46h	56511116	1	Broom Door Weldment
K7	10		5	Nut, Hex Nyl Loc-Thin Ss 1/4-20		46i	56509612	1	Seal-Broom Door
K6,K7	11		5	Wsh-Fit Sae Ss 1/4		46j	56509754	1	Arm-Stop
K7	12		1	Scr- Hex Ss 1/4-20 X 1.00	K5	47		1	Actuator-Lin-36v-51mm Stroke M6
K6,K7	13		2	Scr- Hex Ss 3/8-16 X 1.00	K5	48		1	Bracket-Spring
K6,K7	14		2	Scr- Hex Ss 1/2-13 X 1.75	K6	49		1	Pin-Clevis-Grooved-Ss .5x2.75
K6,K7	15		2	Wsh-Fit Sae Ss 1/2	K6	50		1	Retaining Ring-E Style-Ss .5
K4,K7	16		6	Scr-Pan Phil Ss 1/4-20 X .75	K2,K9	51	56477616	2	Cable Tie 20 Inch E00549
K5,K6,K717			3	Nut-Hex Nyl Loc Ss 3/8-16	K2,K9	52	56478246	1	Cable Tie E00549 Re438ba
K6,K7	18		1	Key, Sq .25 X 1.19					
K5,K7	19		3	Pin-Clevis .375 X 2.25					Main Brooms
K6,K7	20		4	Scr-Carriage Ss 1/4-20 X .75		33018858	1		Main Broom Spiral
K5,K7	21		1	Pin-Clevis .50 X 1.75		*	33018856	1	Broom-Main Nylon
K5,K7	22		3	Pin-Bow-Tie Cot 1/4-3/8x.072		*	33018857	1	Broom-Main Prolene
K5,K7	23		1	Pin-Bow-Tie Cot 7/16-1/2x.091					
K2,K6,K724			4	Scr-Hex Loc Ss 5/16-18 X 1.00					Service Kits
K2,K7,K825	56004012		1	Wsh-Fit 18-8 Ss-1.062x2x.13	K1	56510739	1		Strap Kit-Broom Rear
K6,K7	26		1	Wsh, Fit Harden .344x1.000x.120/.135	K2	56510740	1		Motor Kit-Broom M1
K5	27		2	Bearing, Flange	K3	56422152	1		Brush Kit-Motor (for Broom Motor Assy)
K2,K8	28	56384760	1	Guard-String	K4	56510741	1		Skirt Kit-Broom
	29	56416517	1	Strap,Static, 12.5"	K5	56511898	1		Actuator Kit-Main Broom
K6	30		2	Bearing	K6	56510804	1		Support Kit-Main Broom
K5	31		1	Spring-Extension	K7	56511882	1		Hardware Kit-Main Broom
K4	32		1	Foam-Right Skirt	K8	56384904	1		String Guard Kit
K4	33		1	Foam-Left Skirt	K9	56384531	1		Motor Only Kit-Main Broom
K4	34		1	Skirt-Right					
K4	35		1	Skirt-Left					* = Optional, Not Included
K4	36		2	Strap-Skirt					[] = Not Shown
	37	56509520	1	Strap-Left Skirt					
	38	56509525	1	Panel Weldment					
K2,K9	39		1	Broom Motor Assembly M1					
K3	[]		1	Brush Kit-Motor (for Broom Motor Assy)					
K1	40		1	Flap-Broom Recirc					
K1	41		1	Skirt-Broom Rear					
K1	42		2	Strap-Broom Rear					
K6	43		1	Broom Drive Hub Assembly					
K6	44		1	Broom Support Weldment					
	45	56511186	1	Broom Arm Assembly					
	45a	56003314	1	Ring, Retainer					
	45b	56003338	1	Scr-Hex Loc SS 3/8-16 X .75					
	45c	56009195	1	Wsh-Fit .406 X 1.25 X .164					
	45d	56479430	2	Bearing Ball					
	45e	56511138	1	Broom Arm Weldment					
	45f	56509726	1	Hub-Broom Idler					

RECOVERY SYSTEM



RECOVERY SYSTEM

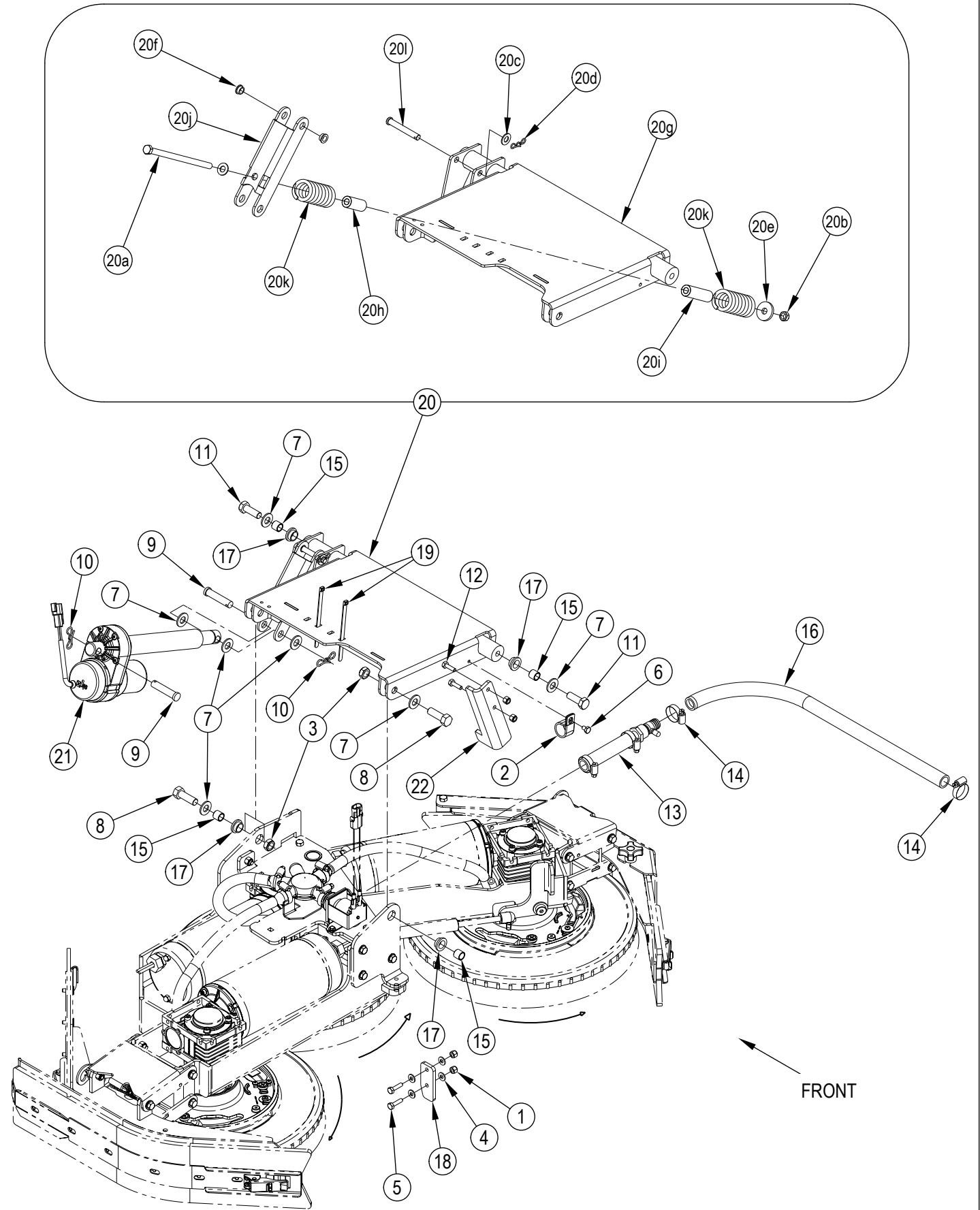
Kit	Item	Ref. No.	Qty	Description
K5	1		1	Scr. Hex 1/4-20 X .88
K5	2		6	Wsh, Flt Std 1/4
K5	3		3	Scr-Pan Phil 10-24 X .50
K5	4		6	Scr-Pan Phil 1/4-20 X .62
K5	5		1	Scr-Pan Phil S.S. 1/4-20 X 2.0
K5,K6	6		12	Wsh, Flt Std 5/16
K5,K6	7		12	Scr. Hex Hd Loc 5/16-18 X .75
K5	8		1	Nut, Hex Nyl Loc 1/4-20
K4,K5	9		6	Scr. Pan Phil SS 10-24 X .62
K5	10		4	Scr Pan Phil SS 1/4-20 X 1.75
K5	11		8	Scr. Pan Phil SS 8-32 X .38
K5	12		2	Scr Panphils Type Ab 10-16x.75
K5	13		2	Wsh, Flt .266 X .906 X .060
K4	14		3	Clamp. Plastic
	15	56314760	2	Gasket, Vacuum Duct
	16	56368989	1	Bushing
	17	56382992	1	Cable Assy-Quick Link-19.5 In
	18	56440213	2	Clamp- Hose SAE #32
K3	19		1	Clamp- Hose SAE #36
	20	56486112	1	Clamp-P
	21	56507188	1	Latch
K6	23		2	Tank Pivot Weldt
	24	56509194	1	Tank-Recovery
	25	56509285	1	Exhaust Cover
	26	56509304	1	Latch Pin Weldment
K1	27	56509350	1	Cover - Recovery Tank
	28	56509355	1	Tether Hook
	29	56509364	1	Plate-Cover
	30		1	Vac Fan Cover Assy
K5	30a		2	Scr Pan Phil SS 1/4-20 X .62
K5	30b		2	Scr. Pan Phil Plastite 10-14 X .50
K5	30c		4	Scr. Pan Phil Type B 1/4-14 X .62
	30d	56314400	1	Wire Rope, 9 Inch
K2	30e		4	Cage, Float
K2	30f		2	Ball, Float
	30g	56413194	1	Screen, Filter
	30h	56413195	1	Filter
	30i	56453849	2	Bushing .26x.37x.28
	30j	56509201	1	Cover-Vac Fan
	30k	56509352	1	Gasket - Vac Fan Top
	30l	56509353	1	Plate - Vac Cover
	30m	56510695	2	Latch-Plastic
	30n	56510701	1	Lid Assy-Vac Filter
		56314491	1	Gasket Vac Cover

Kit	Item	Ref. No.	Qty	Description
	31	56509985	1	Hose-Squeegee
	32	56510143	2	Tab-Hinge
	33	56510189	1	Plate-Inlet
	34	56511400	2	Motor-Vac-42vdc-17000RPM-.75HP M4 / M5
K7	[]		1	Vacuum Motor Brush Kit
	35	56511764	2	Gasket-Vac Motor-Inlet
K1	36	56510232	1	Gasket-Recovery Cover
	37	56510611	1	Debris Basket
	38	56510674	2	Gasket-Cover
	39	56510676	1	Trim-Seal
	40	56510677	2	Foam Tube Assy
	41	56510678	1	Gasket-Tank
	42	56510679	1	Gasket-Inlet Plate
K5	43		5	Wsh-Fit SS .266 X .906 X .060
	44	56511738	1	Vacuum Plate Assy-Bottom
K3	45		1	Drain Hose Ribbed
	46	56511189	1	Gasket-Panel
	47	56511190	1	Gasket-Cover

Service Kits

K1	56510580	1	Lid Kit-Rec
K2	56510583	1	Float Ball Cage Kit
K3	56383261	1	Drain Hose Kit
K4	56510586	1	Clip Kit-Drain Hose
K5	56511889	1	Hardware Kit-Recovery System
K6	56510584	1	Pivot Kit-Rec Tank
K7	56116107	1	Vacuum Motor Brush Kit

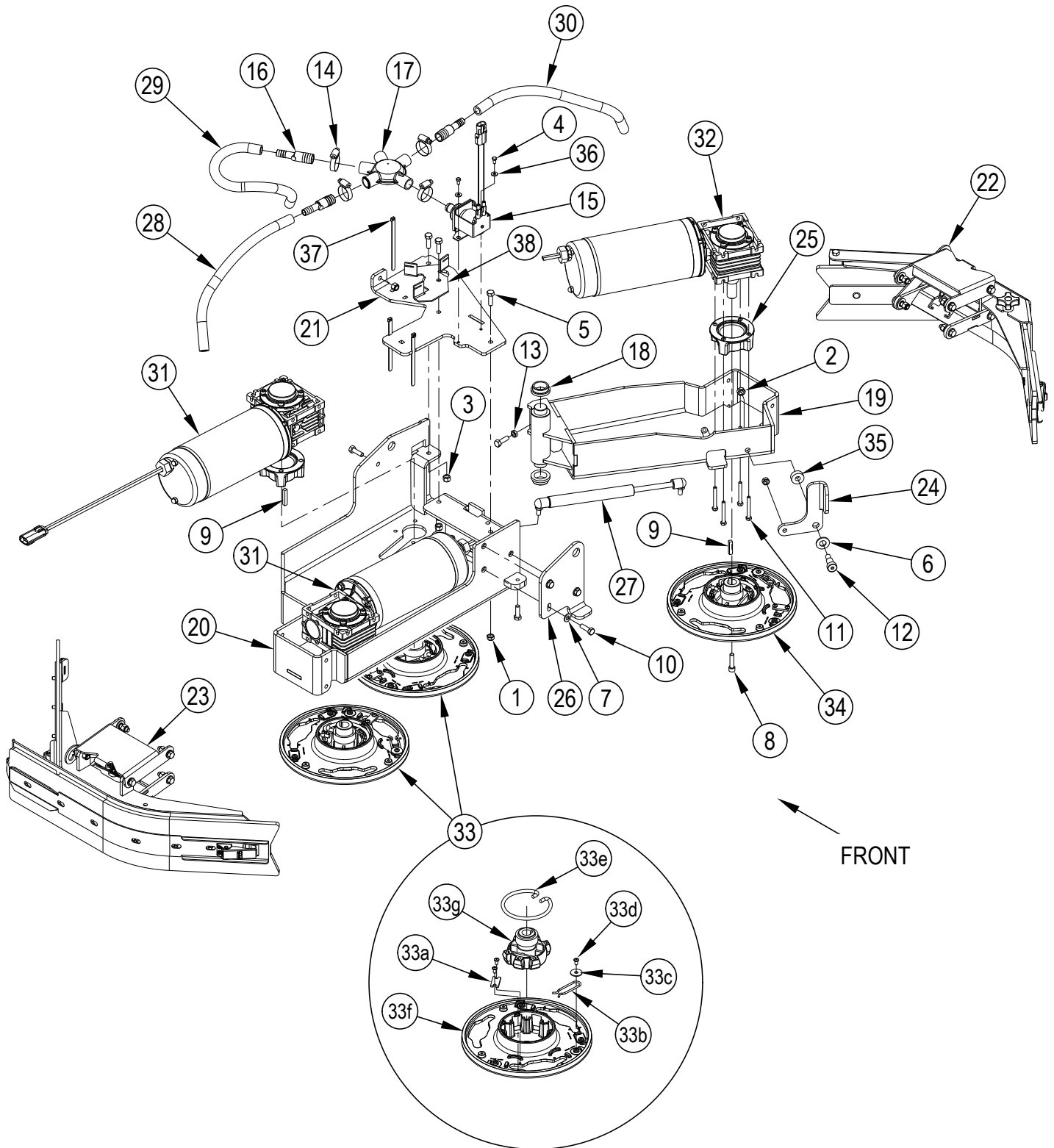
SCRUBBING SYSTEM-1



SCRUBBING SYSTEM-1

Kit	Item	Ref. No.	Qty	Description
K1	1		6	Nut, Hex Nyl Loc SS 1/4-20
	2	56303651	1	Clamp P CI-16
K1	3		2	Nut, Hex Nyl Loc-Thin SS 1/2-13
K1	4		4	Wsh-Fit SAE SS 1/4
K1	5		2	Scr- Hex SS 1/4-20 X 1.00
K1	6		1	Scr Hex Thd Form 1/4-20x .38
K1	7		7	Wsh-Fit SAE SS 1/2
K1	8		2	Scr- Hex SS 1/2-13 X 1.50
K1	9		2	Clevis Pin
K1	10		2	Pin- Bow-Tie Cotter 7/16 - 1/2
K1	11		2	Scr-Hex Loc SS M12-1.75 X 35mm
K1	12		2	Scr- Hex SS 1/4-20 X .88
	13	56510946	1	Chem. Injection Tee Assy
	14	56244969	2	Clamp- Hose SAE #12
	14	56305053	1	Sensor, Proximity S1
	15	56367206	4	Bushing
	16	56510948	1	Hose-.75 X 21.50 In. Spiral
	17	56420160	4	Bearing, Flange
	18	56510625	1	Stop-Scrub Deck
	19	2-00-04345	2	Ty-Rap Thomas+Betts-Ty-28m
	20		1	Arm-Deck Lift Assembly
	20a	56003845	1	Scr, Hex SS 3/8-16 X 7.00
	20b	56002852	1	Nut, Hex Nyl Loc-Thin SS 3/8-16
	20c	56002910	2	Wsh-Fit SAE SS 3/8
	20d	56003813	1	Pin- Bow-Tie Cotter 1/4 - 3/8
	20e	56009195	1	Wsh-Fit .406 X 1.25 X .164
	20f	56324505	2	Bearing, Flange
	20g	56511162	1	Deck Lift Weldment
	20h	56509186	1	Spacer-.385 X .75 X 1.75
	20i	56509189	1	Spacer-.385 X .75 X 2.56
	20j	56511146	1	Arm-Lift Spring
	20k	56601470	2	Compression Spring
	20l	2-00-06075	1	Pin Clevis 3/8 X 2.625
	21	56511263	1	Actuator-Lin-36v-152 Mm Stroke M17
	22	56509622	1	Bracket-Positive Stop
Service Kits				
K1	56511886		1	Hardware Kit-Scrub Sys

SCRUBBING SYSTEM-2



SCRUBBING SYSTEM-2

Kit	Item	Ref. No.	Qty	Description
K1,K2	1		2	Nut, Hex Nyl Loc-Thin SS 5/16-18
K1,K2	2		1	Nut, Hex Nyl Loc-Thin SS 3/8-16
K1,K2	3		4	Nut, Hex Nyl Loc SS 5/16-18
K1,K2	4		2	Scr- Hex SS 10-24 X .38
K1,K2	5		5	Scr- Hex SS 5/16-18 X 1.00
K1,K2	6		1	Wsh-Flt SAE SS 1/2
K1,K2	7		3	Wsh-Flt SAE SS 5/16
K1,K2	8		3	Scr-Soc Hd SS 5/16-18 X 1.25
K1,K2	9		3	Key, Sq .25 X 1.44
K1	10		4	Scr-Hex Loc SS 5/16-18 X 1.00
K1	11		12	Scr-Hex Loc SS M6-1 X 50mm
K1	12		1	Scr-Soc Shd .50 X .75 X 3/8-16
K1	13		1	Nut-Hex Jam SS 5/16-18
K3	14	56244969	4	Clamp- Hose SAE #12
	15	56511832	1	Valve-Solenoid Assy-36v L1
	16	56315625	3	Barb, Coupler 1/2 X 3/4
K3	17	56413426	1	Manifold, Solution
	18	56507767	2	Bearing, Fl 1 Id X 1-1/4 Od X 1/2 L
	19	56511129	1	Arm-Weldment
	20	56511158	1	Deck-Weldment
	21	56511159	1	Plate-Pivot
	22		1	Assembly-Side Squeegee (see pages 80-81)
	23		1	Assembly-Side Squeegee (see pages 82-83)
	24	56511210	1	Bracket-Lever Arm
	25	56510005	3	Spacer-Motor
	26	56511126	1	Bracket-Scrub Adjustment
	27	56510144	1	Spring-Gas
	28	56510287	1	Hose-Push Lock 14
	29	56510288	1	Hose-Push Lock 17.5
	30	56510289	1	Hose-Push Lock 16
	31	56511862	2	Scrub Motor Assembly M13 / M14
	[]	56510763	1	Brush Kit (for 56511862)
	32	56511861	1	Scrub Motor Assembly M15
	[]	56510763	1	Brush Kit (for 56511861)
	33	56601276	2	Brush Plate Assy
	33a	56366455	1	Plate, Stop
	33b	56366463	1	Spring Retainer
	33c	56009002	1	Wsh, Flt .266 X .906 X .060
	33d	56009247	3	Scr. Pan Phil Plastite 10-14 X .38
	33e	56601056	1	Spring, Brush Holder
	33f	56601118	1	Brush Plate
	33g	56112521	1	Gimbal-Collar Assembly
	34	56601384	1	Brush Plate Assy NOTE 1
	35	56510990	1	Spacer .406x1.00x.370
K1	36		2	Wsh Flt SS .219x.500x.047/.062
	37	2-00-04345	3	Ty-Rap Thomas+Betts-Ty-28m
K3	38		1	Bracket-Manifold

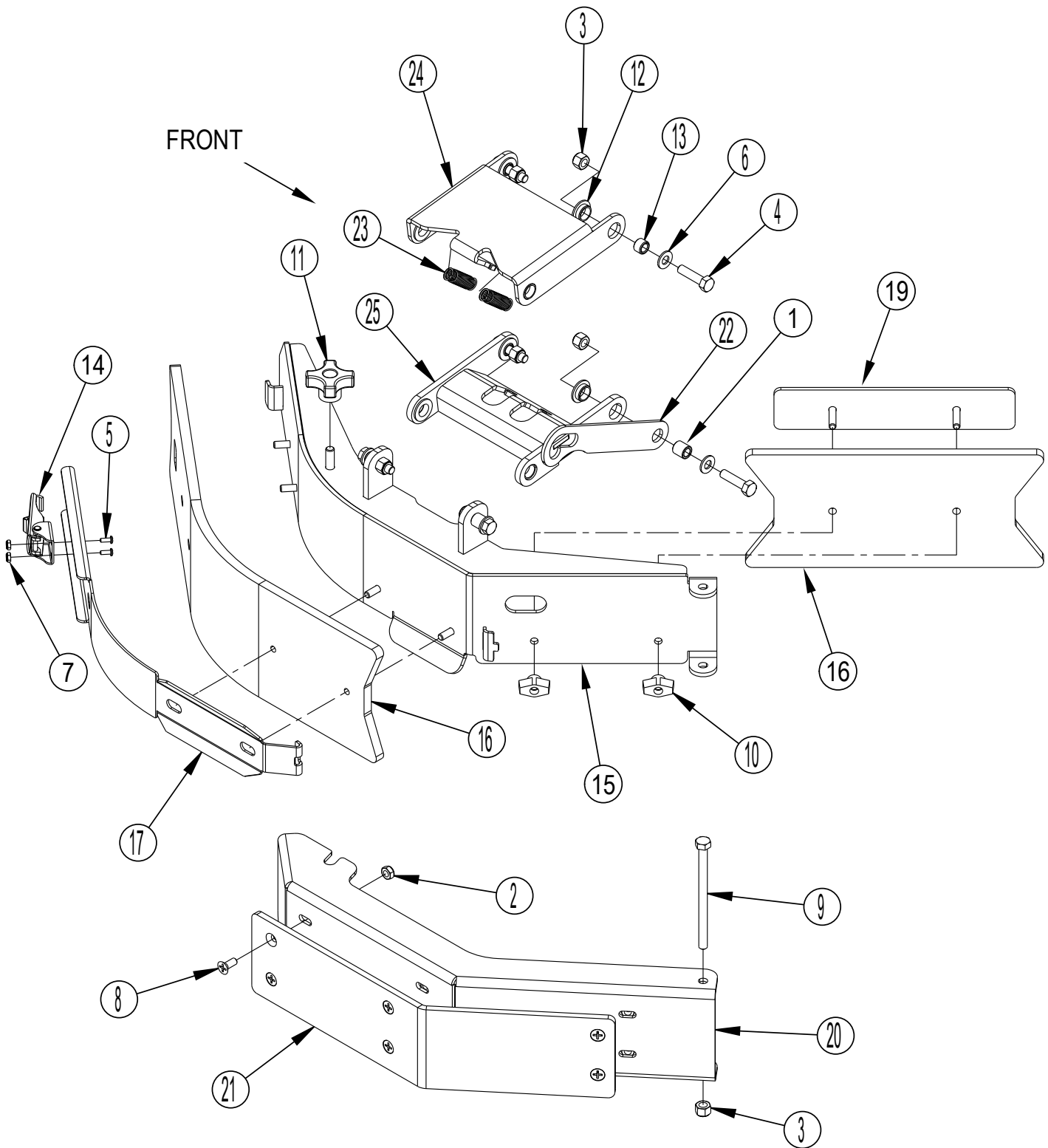
Service Kits

K1	56511886	1	Hardware Kit-Scrub Sys
K2	56510807	1	Hardware Kit-Deck Assy
K3	56384703	1	Manifold Bracket Kit

[] = Not Shown

NOTE 1: Uses same components as 56601276.

SCRUB SYSTEM-RIGHT SKIRT ASSEMBLY



SCRUB SYSTEM-RIGHT SKIRT ASSEMBLY

Kit	Item	Ref. No.	Qty	Description
			1	Assembly-Side Squeegee
K1	1		2	Bushing
K4	2		6	Nut, Hex Nyl Loc-Thin SS 1/4-20
K1,K3	3		9	Nut, Hex Nyl Loc SS 5/16-18
K1	4		8	Scr- Hex SS 5/16-18 X 1.25
K2	5		2	Scr. Pan Phil SS 6-32 X .38
K1	6		8	Wsh-Flt SAE SS 5/16
K2	7		2	Nut, Hex Nyl Loc-Thin SS 6-32
K4	8		6	Scr-Flt Phil SS 1/4-20 X .75
K3	9		1	Scr- Hex SS 5/16-18 X 4.50
K3	10		2	Knob, Wing
	11	56407303	1	Knob
K1	12		8	Bearing, Flange .625 X .500 X .250
K1	13		6	Bushing .32x.50x.35
K2	14		1	Latch Assembly
	15	56511160	1	Blade Support Weldment
	16	56510374	1	Blade Kit-Deck Red Gum NOTE 1
K2	17		1	Strap-Blade
	19	56511275	1	Strap Weldment-Squeegee
	20	56511213	1	Guard-Edge Scrub
K4	21		1	Guard-Uhmw
K1	22	56510139	1	Plate-Catch
K1	23	56510254	2	Spring-Extension
K1	24		1	Arm-Side Squeegee Weldt
K1	25		1	Arm-Side Squeegee Weldt

Deck Blade Kits

	56510374	1	Blade Kit-Deck Red Gum NOTE 1
*	56510375	1	Blade Kit-Deck Gum NOTE 1
*	56510376	1	Blade Kit-Deck PU NOTE 1

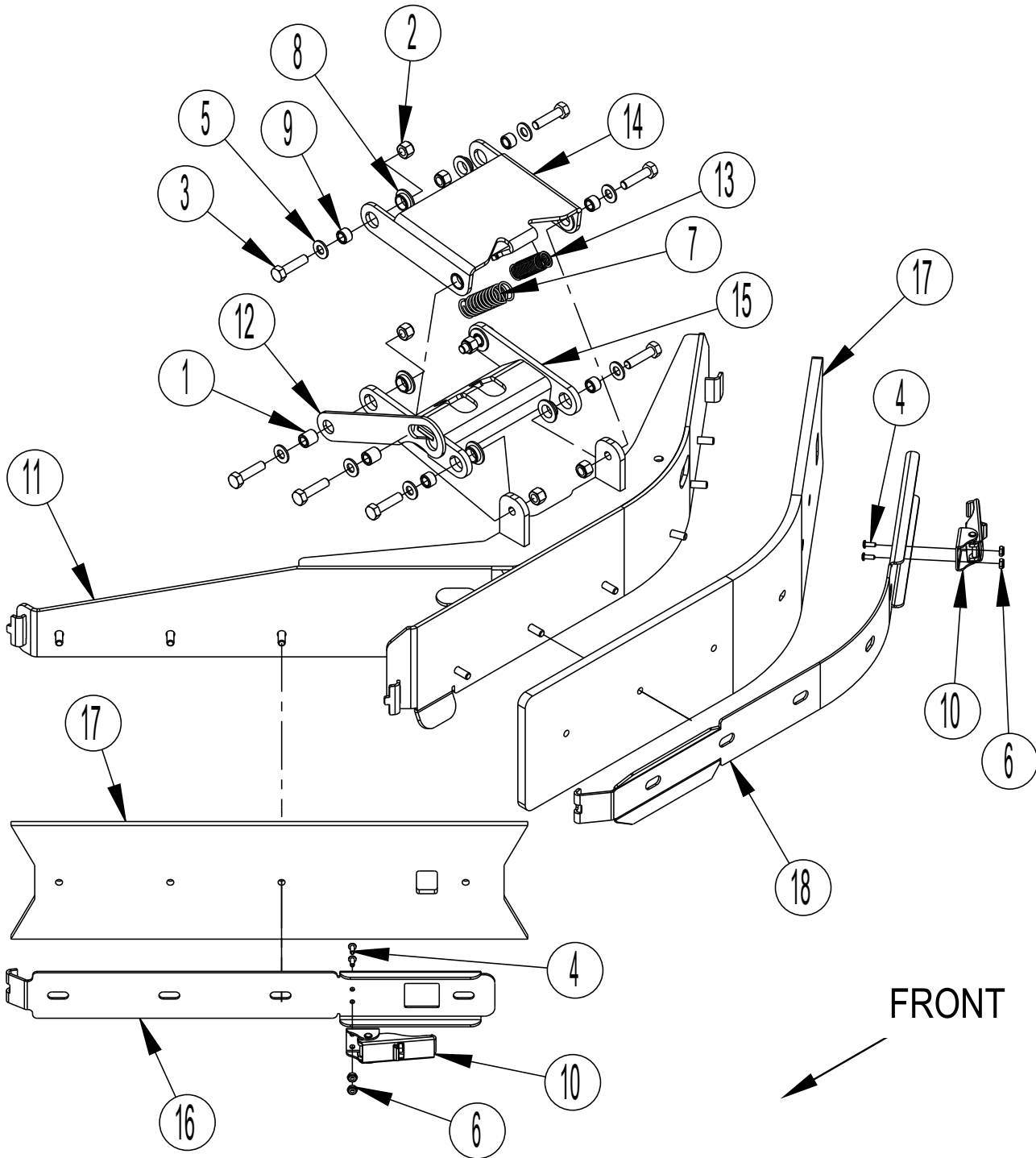
Service Kits

K1	56383050	1	Arm Kit-Right Side Squeegee
K2	56510811	1	Strap Kit-Side Squeegee
K3	56510812	1	Hardware Kit-Side Squeegee Rt
K4	56510813	1	Guard Kit-UHMW

* = Optional, Not Included

NOTE 1: All Deck Blade Kits include all blades for both skirt assemblies

SCRUB SYSTEM-LEFT SKIRT ASSEMBLY



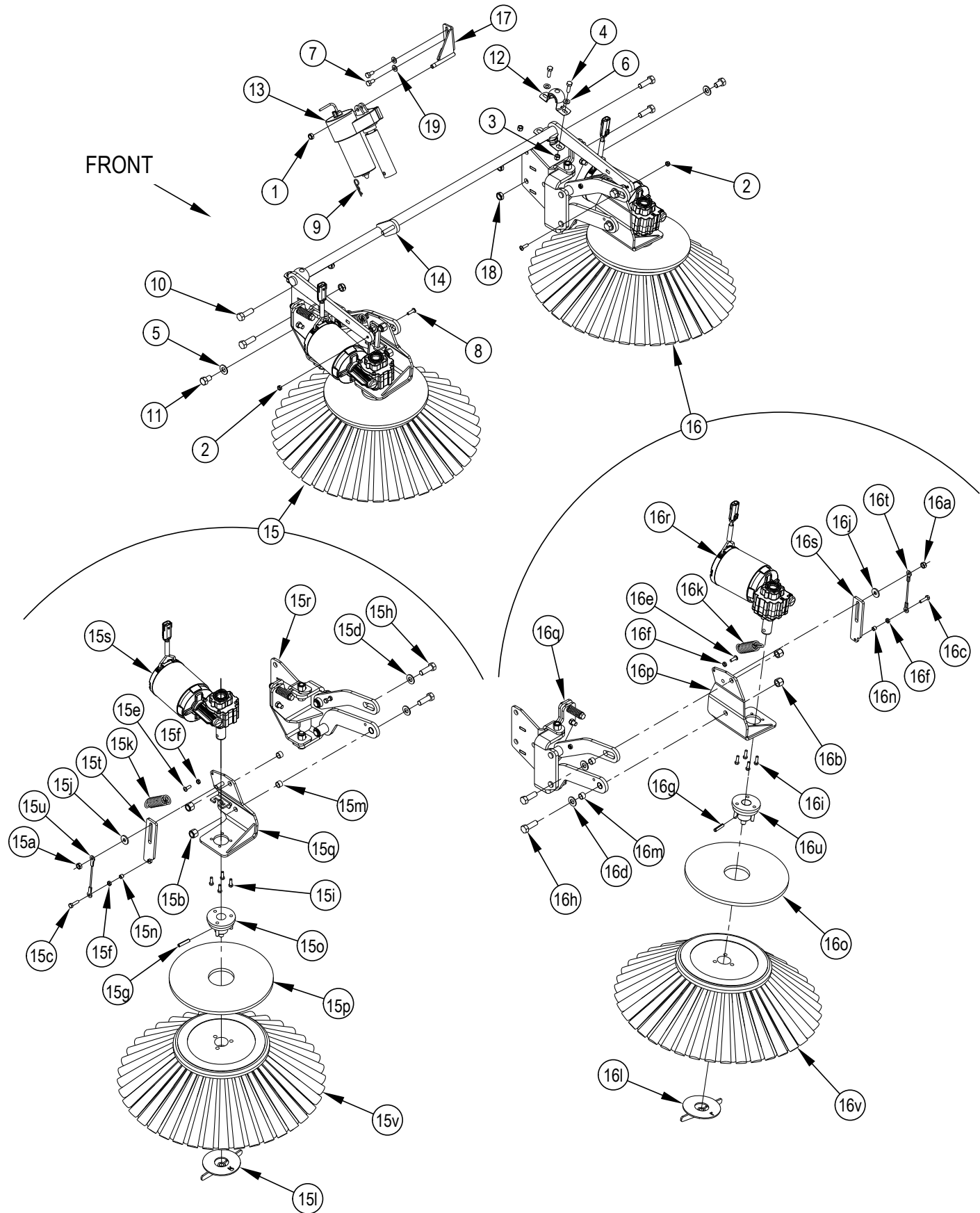
SCRUB SYSTEM-LEFT SKIRT ASSEMBLY

Kit	Item	Ref. No.	Qty	Description
			1	Assembly-Side Squeegee
K1	1		2	Bushing
K1	2		8	Nut, Hex Nyl Loc SS 5/16-18
K1	3		8	Scr- Hex SS 5/16-18 X 1.25
K2,K3	4		4	Scr, Pan Phil SS 6-32 X .38
K1	5		8	Wsh-Flt SAE SS 5/16
K2,K3	6		4	Nut, Hex Nyl Loc-Thin SS 6-32
K1	7	56305253	1	Spring, Extension
K1	8		8	Bearing, Flange .625 X .500 X .250
K1	9		6	Bushing .32x.50x.35
K2,K3	10		2	Latch Assembly
	11	56511161	1	Blade Support Weldment
K1	12	56510139	1	Plate-Catch
K1	13	56510254	1	Spring-Extension
K1	14		1	Arm-Side Squeegee Weldt
K1	15		1	Arm-Side Squeegee Weldt
K2	16		1	Strap-Blade
	17	56510374	1	Blade Kit-Deck Red Gum NOTE 1
K3	18		1	Strap-Blade
Deck Blade Kits				
		56510374	1	Blade Kit-Deck Red Gum NOTE 1
	*	56510375	1	Blade Kit-Deck Gum NOTE 1
	*	56510376	1	Blade Kit-Deck PU NOTE 1
Service Kits				
K1		56510810	1	Arm Kit-Left Side Squeegee
K2		56510883	1	Strap Kit-Side Squeegee LT FR
K3		56510882	1	Strap Kit-Side Squeegee LT RR

* = Optional, Not Included

NOTE 1: All Deck Blade Kits include all blades for both skirt assemblies

SIDE BROOM SYSTEM



SIDE BROOM SYSTEM

Kit	Item	Ref. No.	Qty	Description	Kit	Item	Ref. No.	Qty	Description
K4	1		1	Nut, Hex Nyl Loc-Thin 3/8-16		16		1	Left Side Broom Assy
K4	2		2	Nut, Hex Nyl Loc-Thin SS 1/4-20	K3,K4	16a		1	Nut-Hex Machine Ss 3/8-16
K1,K4	3		4	Nut, Hex Nyl Loc SS 5/16-18	K3	16b		2	Nut, Hex Nyl Loc SS 1/2-13
K1,K4	4		4	Scr- Hex SS 5/16-18 X 1.00	K3	16c		1	Scr- Hex SS 1/4-20 X 1.00
K4	5		2	Wsh-Fit SAE SS 1/2	K3	16d		2	Wsh-Fit SAE SS 1/2
K1,K4	6		4	Wsh-Fit SAE SS 5/16	K3,K5	16e		1	Scr, Pan Phil SS 1/4-20 X .75
K4	7		2	Scr, Hex Hd Loc	K3,K5	16f		2	Nut-Hex Jam SS 1/4-20
K4	8		2	Scr, Pan Phil SS 1/4-20 X .88	K5	16g		1	Pin, Spr .31 X 1.38
K4	9		1	Pin, Cotter Hair .0915 X .375	K3	16h		2	Scr- Hex SS 1/2-13 X 1.50
K4	10		4	Scr- Hex SS 1/2-13 X 1.50	K5	16i		4	Scr-Hex Loc Ss M6-1 X 20mm
K4	11	56003834	2	Scr-Hex Loc SS 1/2-13 X .75	K3,K4	16j		1	Wsh, Fit SS .378 X 1.000 X .120
K1	12		2	Bearing, Pillow Block	K3	16k	56051136	1	Spring, Ext
	13	56116781	1	Actuator-36v M13 / M18		16l	56305725	1	Left Thumb Nut Weldt
	14	56511113	1	Side Broom Lift Weldt	K3	16m		2	Bushing
	15		1	Right Side Broom Assy	K3	16n		1	Bushing
K2	15a		1	Nut-Hex Machine Ss 3/8-16		16o	56509048	1	Guard-Side Broom
K2,K4	15b		2	Nut, Hex Nyl Loc SS 1/2-13	K3	16p	56511653	1	Broom Motor Mount Weldment-Ls
K2,K4	15c		1	Scr- Hex SS 1/4-20 X 1.00	K3	16q	56511196	1	Lt Sb Arm Assy (see pages 88-89)
K2,K4	15d		2	Wsh-Fit SAE SS 1/2		16r	56384564	1	Motor-42vdc-115rpm-0.4hp-Left M3L
K2,K4,K515e			1	Scr, Pan Phil SS 1/4-20 X .75		[]	56384521	1	Sidebroom Motor Brush Kit (for 56384565 & 56384564)
K2,K4,K515f			2	Nut-Hex Jam SS 1/4-20	K3	16s		1	Bracket-Sb Lift
K4,K5	15g		1	Pin, Spr .31 X 1.38	K3	16t	56510639	1	Cable Assy-.31 X 4.75
K2,K4	15h		2	Scr- Hex SS 1/2-13 X 1.50		16u	56510680	1	Lt Sb Hub Assy
K4,K5	15i		4	Scr-Hex Loc Ss M6-1 X 20mm		16v	56510707	1	Broom-Side Poly
K2,K4	15j		1	Wsh, Fit SS .378 X 1.000 X .120		17	56510954	1	Actuator Bracket Weldt
K2	15k	56051136	1	Spring, Ext	K4	18		4	Nut-Hex Nyl Loc-Thin SS 1/2-13
	15l	56305731	1	Right Thumb Nut Weldt		19		2	Wsh-Fit SAE 5/16
K2	15m		2	Bushing					
K2	15n		1	Bushing					
	15o	56509046	1	Side Broom Hub Assy					
	15p	56509048	1	Guard-Side Broom					
K2	15q	56511652	1	Broom Motor Mount Weldment-Rs					
K2	15r	56511195	1	Rt Sb Arm Assy (see pages 86-87)					
K6	15s	56384565	1	Motor-42vdc-115rpm-0.4hp-Right M3R					
	[]	56384521	1	Sidebroom Motor Brush Kit (for 56384565 & 56384564)					
K2	15t		1	Bracket-Sb Lift					
K2	15u	56510639	1	Cable Assy-.31 X 4.75					
	15v	56510707	1	Broom-Side Poly					

Service Kits

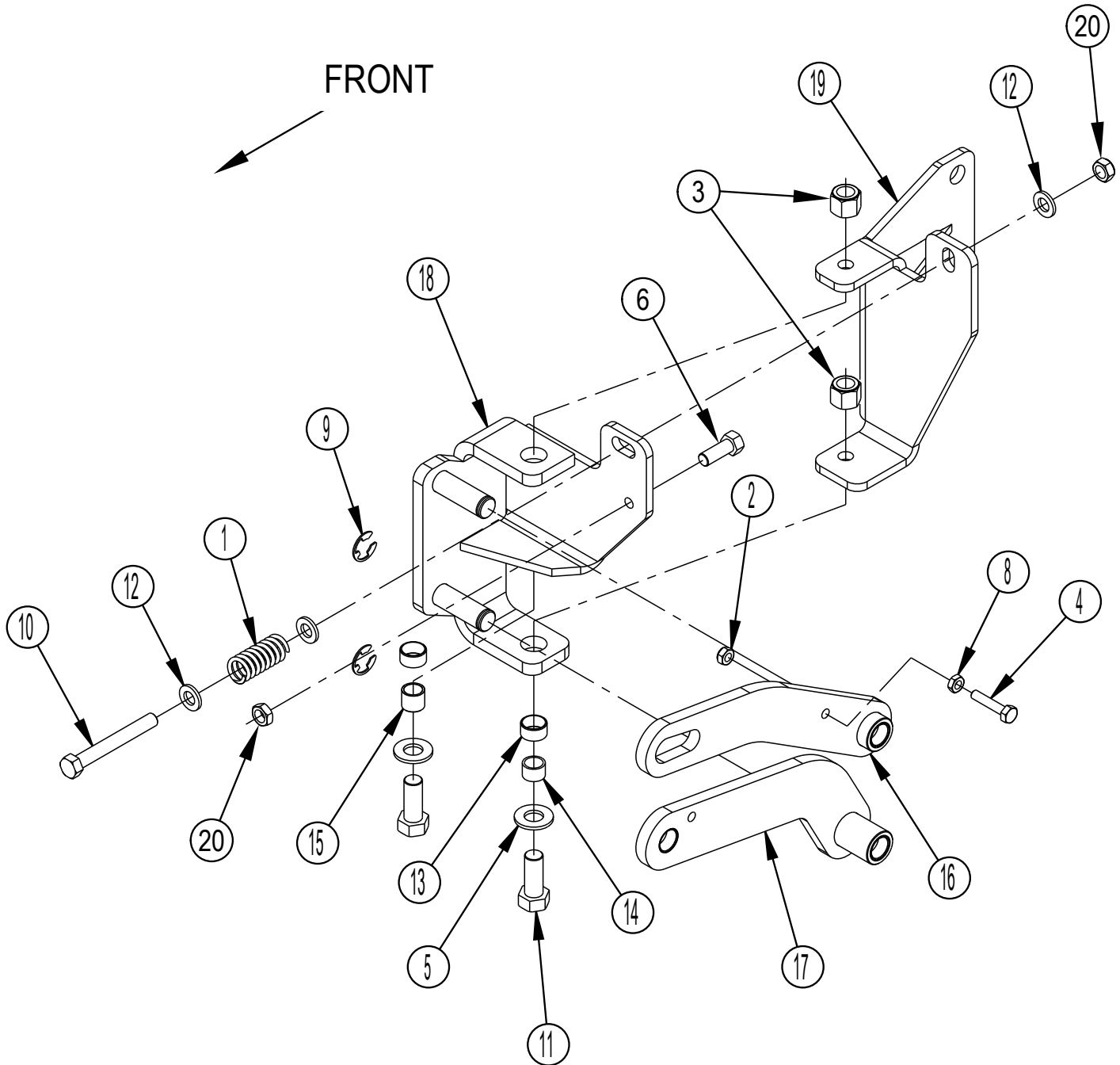
K1	56510736	1	Bearing Kit-Side Broom
K2	56510767	1	Bracket Kit-Right Side Broom
K3	56510769	1	Bracket Kit-Left Side Broom
K4	56511883	1	Hardware Kit-Side Broom System
K5	56510822	2	Hardware Kit-Side Broom Assy

[] = Not Shown

RIGHT SIDE BROOM ARM ASSEMBLY

Kit	Item	Ref. No.	Qty	Description
		56511195	1	RT SB Arm Assy
	1	56171123	1	Spring, Compression
K1	2		1	Nut, Hex Nyl Loc-Thin SS 1/4-20
	3		2	Nut, Hex Nyl Loc-Thin SS 3/8-16
K1	4		1	Scr- Hex SS 1/4-20 X 1.25
	5		2	Wsh-Flt SAE SS 1/2
	6		1	Scr Hex 3/8-16 X 1.00
	7			Intentionally Omitted
K1	8		1	Nut-Hex Jam SS 1/4-20
K1	9		2	Ring, Ret Ext Type E 0.62 Dia
	10		1	Scr- Hex SS 3/8-16 X 3.00
	11		2	Scr Hex S.S. 1/2-13 X 1.5
	12		3	Wsh-Flt .406x.750x.090
	13		2	Bearing, .719 X .625 X .375
	14		1	Bushing
	15		1	Bushing
K1	16		1	Upr Rt Arm Assy
K1	17		1	Lwr Rt Arm Assy
	18		1	Right Hinge Weldt
	19		1	Right Hinge Weldt
	20		2	Nut Hex Nyl Loc SS 1/2-13
Service Kits				
K1		56382854	1	Arm Assy Kit-Rt

LEFT SIDE BROOM ARM ASSEMBLY



LEFT SIDE BROOM ARM ASSEMBLY

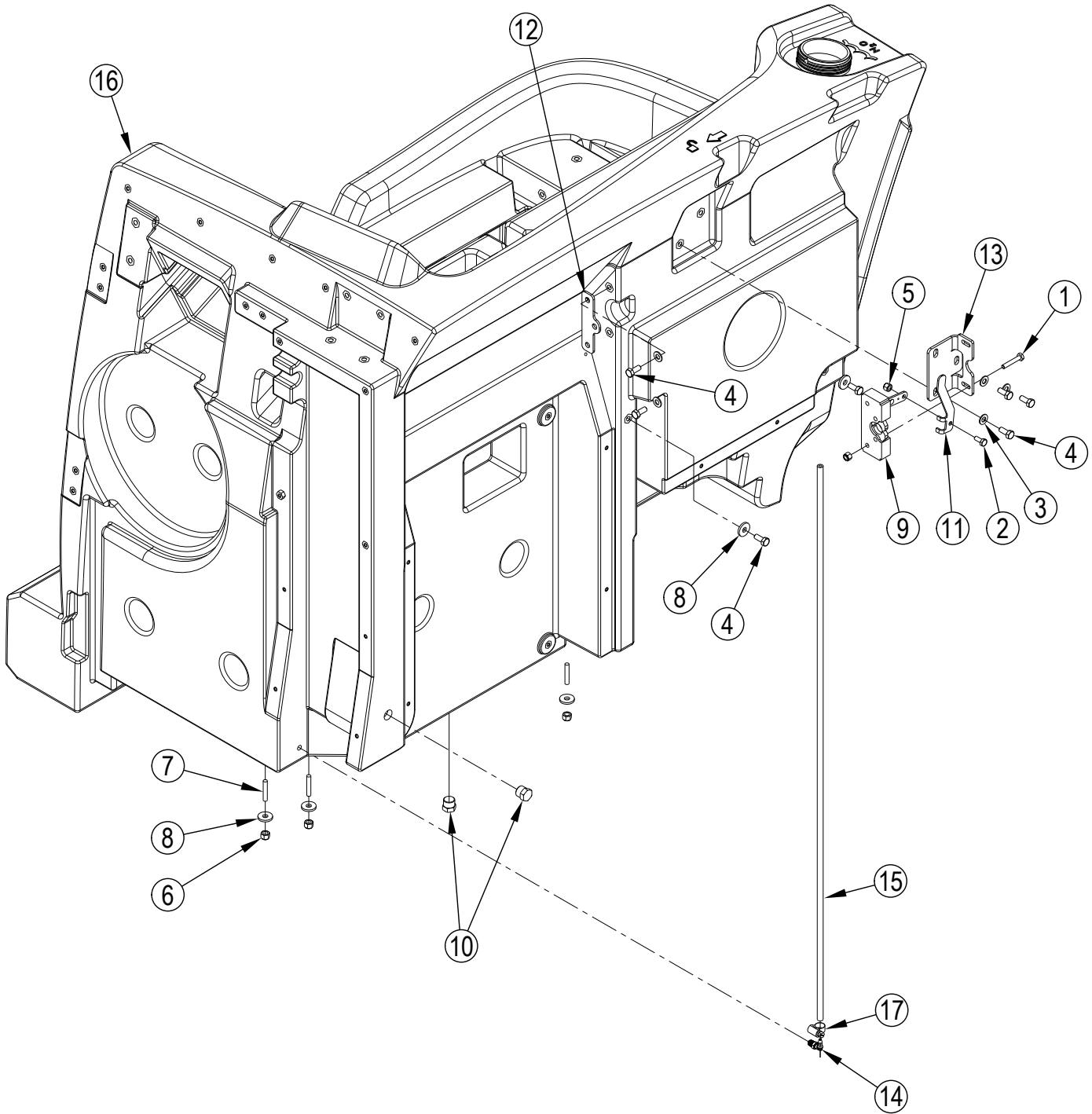
Kit	Item	Ref. No.	Qty	Description
		56511196	1	LT SB Arm Assy
	1	56171123	1	Spring, Compression
K1	2		1	Nut, Hex Nyl Loc-Thin SS 1/4-20
	3		2	Nut Hex Nyl Loc SS 1/2-13
K1	4		1	Scr- Hex SS 1/4-20 X 1.25
	5		2	Wsh-Flt SAE SS 1/2
	6		1	Scr Hex 3/8-16 X 1.00
	7			Intentionally Omitted
K1	8		1	Nut-Hex Jam SS 1/4-20
K1	9		2	Ring, Ret Ext Type E 0.62 Dia
	10		1	Scr- Hex SS 3/8-16 X 3.00
	11		2	Scr Hex S.S. 1/2-13 X 1.5
	12		3	Wsh-Flt .406x.750x.090
	13		2	Bearing, .719 X .625 X .375
	14		1	Bushing
	15		1	Bushing
K1	16		1	Upr Lt Arm Assy
K1	17		1	Lwr Lt Arm Assy
	18		1	Left Hinge Weldt
	19		1	Left Hinge Weldt
	20		2	Nut, Hex Nyl Loc-Thin SS 3/8-16
Service Kits				
K1		56382855	1	Arm Assy Kit-Lt

SOLUTION SYSTEM-1

<u>Kit</u>	<u>Item</u>	<u>Ref. No.</u>	<u>Qty</u>	<u>Description</u>
K1	1	56407162	1	Filter
	[]	56384157	1	Gasket-Filter (for 56407162)
K1,K2	2		4	Wsh, Flt SAE #10
K2	3		4	Scr Pan Phil SS 10-24 X .50
K2	4		6	Wsh, Flt SAE 1/4
K2	5		1	Scr-Pan Phil 1/4-20 X 1.00
K1,K2	6		4	Nut, Hex Nyl Loc 10-24
K1,K2	7		2	Scr- Hex SS 1/4-20 X .50
K2	8		5	Scr, Hex Hd Loc 1/4-20x.62
	9	56384956	2	Clamp-Hose
	10	56046309	1	Spacer, Phenolic
K1	11	56110318	2	U-Bolt 10-24 X R.69
K1	12		2	Clamp- Hose SAE #10
K1	13	56305545	1	Barb. 90 Elbow 3/4 X 3/4 Npt
K1	14		1	Valve-Solution
	15	56509188	1	Tank-Solution
	16	56509464	1	Seat Assembly
	16a	56001939	4	Wsh, Flt SAE 5/16
	16b	56002922	3	Scr Hex Loc 1/4-20 X .62
	16c	56002098	3	Wsh, Flt SAE 1/4
	16d	56002701	4	Nut, Hex Nyl Loc 5/16-18
	16e	56509461	1	Seat Mount Weldt
	16f	56383291	1	Seat
	16g	7-72-05005	1	Slide, Seat
	16h	7-82-00050	1	Switch SW3
	16i	56315382	1	Clip Conduit
	17	56509475	1	Tube Assy-Pressure Sensing
	18	56510442	1	Cap-Extra Vent
K1	19		1	Shield-Valve
	20	56510540	1	Plate-Seal
	21	56510542	1	Plate-Spacer
	22	56510590	1	Bulb Seal
	23	56511169	1	Cover Weldt
	24	56510659	1	Tube-Tygon
	25	56601215	1	Prop Rod, Seat
K1	26	56900292	1	Barb. Adapter 3/4 X 3/4npt
K1	27	56383049	1	Hose Assy
K2	28		4	Wsh Flt SAE SS 10
Service Kits				
K1	56383052	1	Filter Kit-Solution	
K2	56511887	1	Hardware Kit-Solution System	

[] = Not Shown

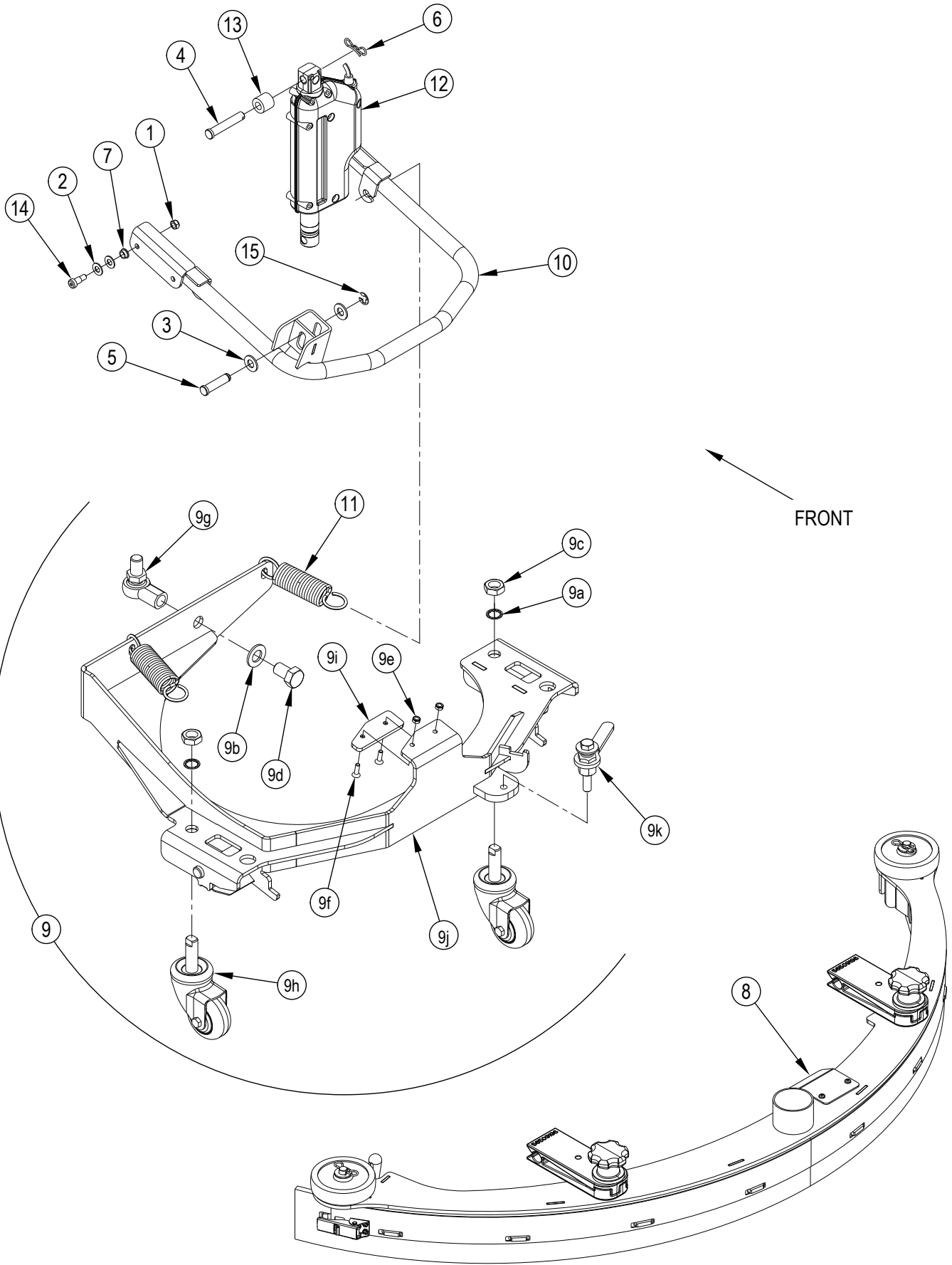
SOLUTION SYSTEM-2



SOLUTION SYSTEM-2

<u>Kit</u>	<u>Item</u>	<u>Ref. No.</u>	<u>Qty</u>	<u>Description</u>
K2,K3	1		1	Scr-Hex 1/4-20 X 1.50
K2,K3	2		1	Scr-Hex 1/4-20 X .62
K2,K3	3		5	Wsh, Flt Sae 5/16
K2,K3	4		7	Scr-Hex 5/16-18 X .75
K2,K3	5		2	Nut, Hex Nyl Loc 1/4-20
K2	6		3	Nut-Hex Nyl Loc Ss 5/16-18
K2	7		3	Threaded Stud, Stainless
K2	8		5	Wsh, Flt .344 X .938 X .125
K3	9	56304827	1	Latch, Rh
	10	56305547	2	Plug, 1/2 Hex Pipe
K3	11		1	Handle-Recovery Latch
	12	56509363	1	Hook-Tether
K3	13		1	Bracket-Latch Mount
	14	56511378	1	Fitting-3/8 Barb X 1/8 Mpt
	15	56511382	1	Hose-3/16x3/8x43
	16	56511578	1	Tank-Solution
	17	56756364	1	Clamp- Hose Sae #4
<u>Service Kits</u>				
K2	56511887		1	Hardware Kit-Solution System
K3	56510594		1	Latch Kit-Rec Tank

SQUEEGEE SYSTEM



FRONT

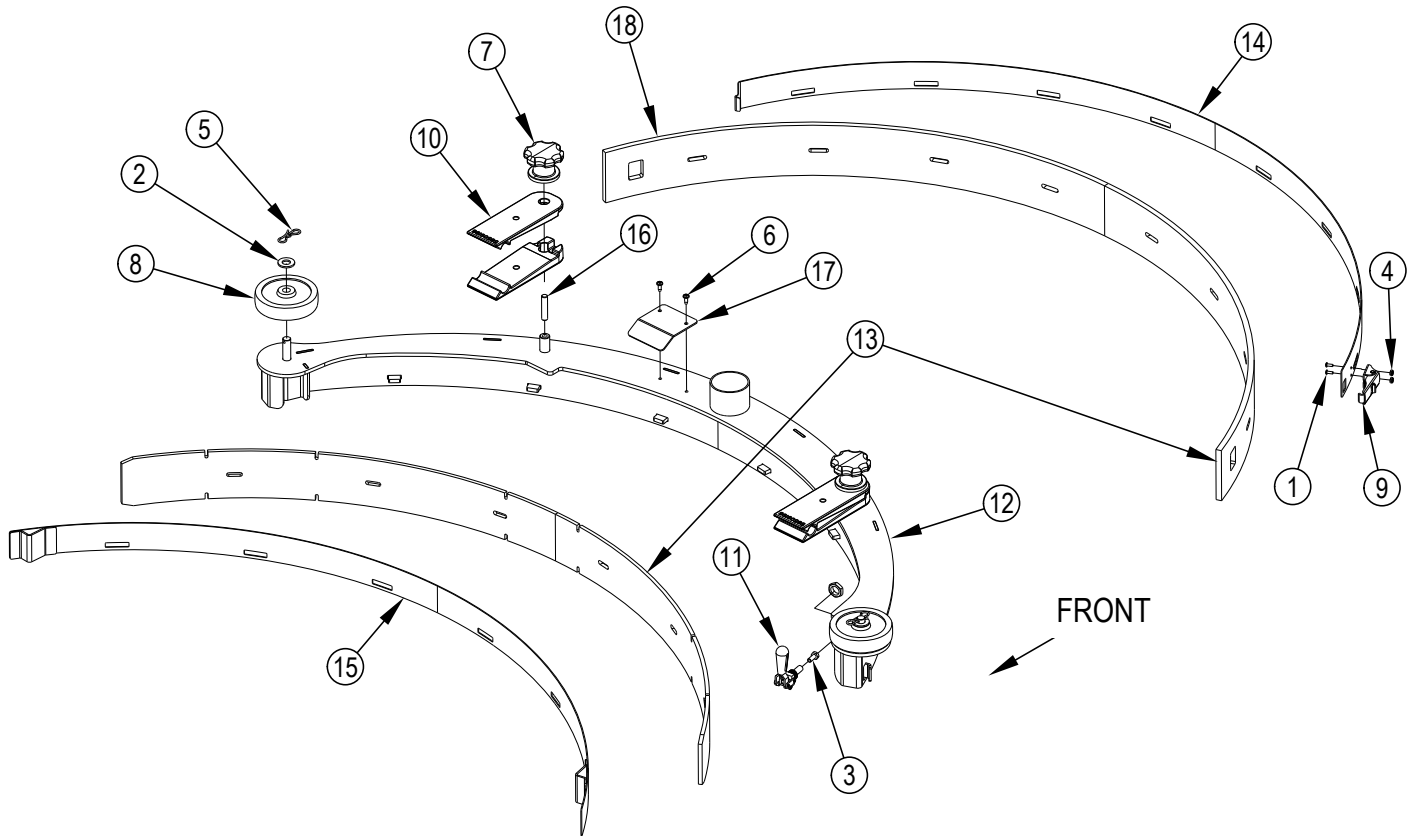
SQUEEGEE SYSTEM

Kit	Item	Ref. No.	Qty	Description
K1	1		2	Nut, Hex Nyl Loc-Thin SS 5/16-18
K1	2		4	Wsh-Flt SAE SS 3/8
K1,K2	3		2	Wsh-Flt SAE SS 1/2
K2	4		1	Pin-Clevis .50 X 2.75
K2	5		1	Pin-Clevis-Grooved-SS .5 x 2.00
K2	6		1	Pin- Bow-Tie Cotter 7/16 - 1/2
K1	7		2	Bearing, Flange
	8	56511216	1	Assembly-Squeegee Tool (includes Red Gum Rubber Blades) (see pages 96-97)
	9		1	Assembly-Squeegee Support
K1,K3	9a		2	Washer, Int. Shake Pr
K1,K5	9b		1	Wsh, Flt SAE 3/4
K1,K3	9c			Nut Hex Jam 3/4-10
K1,K5	9d		1	Scr, Hex 3/4-16 X 1.25 Grade8
K1,K4	9e		2	Nut, Hex Nyl Loc-Thin SS 1/4-20
K1,K4	9f		2	Scr-Flt Phil SS 1/4-20 X .88
K5	9g		1	Rod End
K3	9h		2	Caster-Squeegee
K4	9i		1	Pad-Squeegee Lift
	9j	56511280	1	Support Weldment
	9k	56510168	1	Handle-Adjustment
	10	56509241	1	Arm-Squeegee Lift
	11	56509246	2	Spring-Extension
	12	56511259	1	Actuator-Lin-36v-89mm Stroke M16
K2	13		1	Spacer-.510 X 1 X .88
K1	14		2	3/8 Shoulder Screw 1/2lg 5/16-18thrd
K2	15		1	Retaining Ring-E Style-SS .5

Service Kits

K1	56511881	1	Hardware Kit-Squeegee Sys
K2	56510768	1	Hardware Kit-Squeegee Actuator
K3	56510817	1	Caster Kit-Squeegee
K4	56510828	1	Pad Kit-Squeegee Lift
K5	56510829	1	Rod End-Squeegee

SQUEEGEE ASSEMBLY



SQUEEGEE ASSEMBLY

Kit	Item	Ref. No.	Qty	Description
		56511216	1	Assembly-Squeegee Tool
K1,K3	1		2	Scr-Pan Phil SS 6-32 X .38
K4	2		2	Wsh-Fit SAE SS 1/2
K1,K5	3		1	Scr-Hex Loc SS 1/4-20 X .62
K1,K3	4		2	Nut-Hex Nyl Loc-Thin SS 6-32
K1,K3,K45			2	Pin-Bow-Tie Cotter 7/16 - 1/2
K1,K5	6		2	Scr-Pan Phil SS Type F 10-24 X .50
	7	56109704	2	Knob-Squeegee
K4	8	56111639	2	Wheel
K3	9		1	Latch Assembly
K2	10		4	Clip-Squeegee
	11	56509203	1	Clamp-Push Pull
	12		1	Squeegee Weldment NOTE 2
	13	56510371	1	Blade Kit-Squeegee Red Gum NOTE 1
	14	56509219	1	Strap-Squeegee
	15	56509220	1	Strap-Weldment
	16	56510151	2	Stud - 3/8-16x1.75
	17	56510153	1	Plate-Adjustment
	18	56509213	1	Blade-Sq Rear-Red Gum NOTE 3
		56510378	1	Blade-Sq-Rear-Gum NOTE 3
		56510380	1	Blade-Sq-Rear-Pu NOTE 3
Squeegee Blade Kits				
		56510371	1	Blade Kit-Squeegee Red Gum NOTE 1
	*	56510372	1	Blade Kit-Squeegee Gum NOTE 1
	*	56510373	1	Blade Kit-Squeegee PU NOTE 1
Service Kits				
K1		56511881	1	Hardware Kit-Squeegee Sys
K2		56510830	1	Clip Kit-Squeegee
K3		56510831	1	Latch Kit-Squeegee
K4		56510832	1	Wheel Kit-Squeegee
K5		56510833	1	Hardware Kit-Squeegee Tool

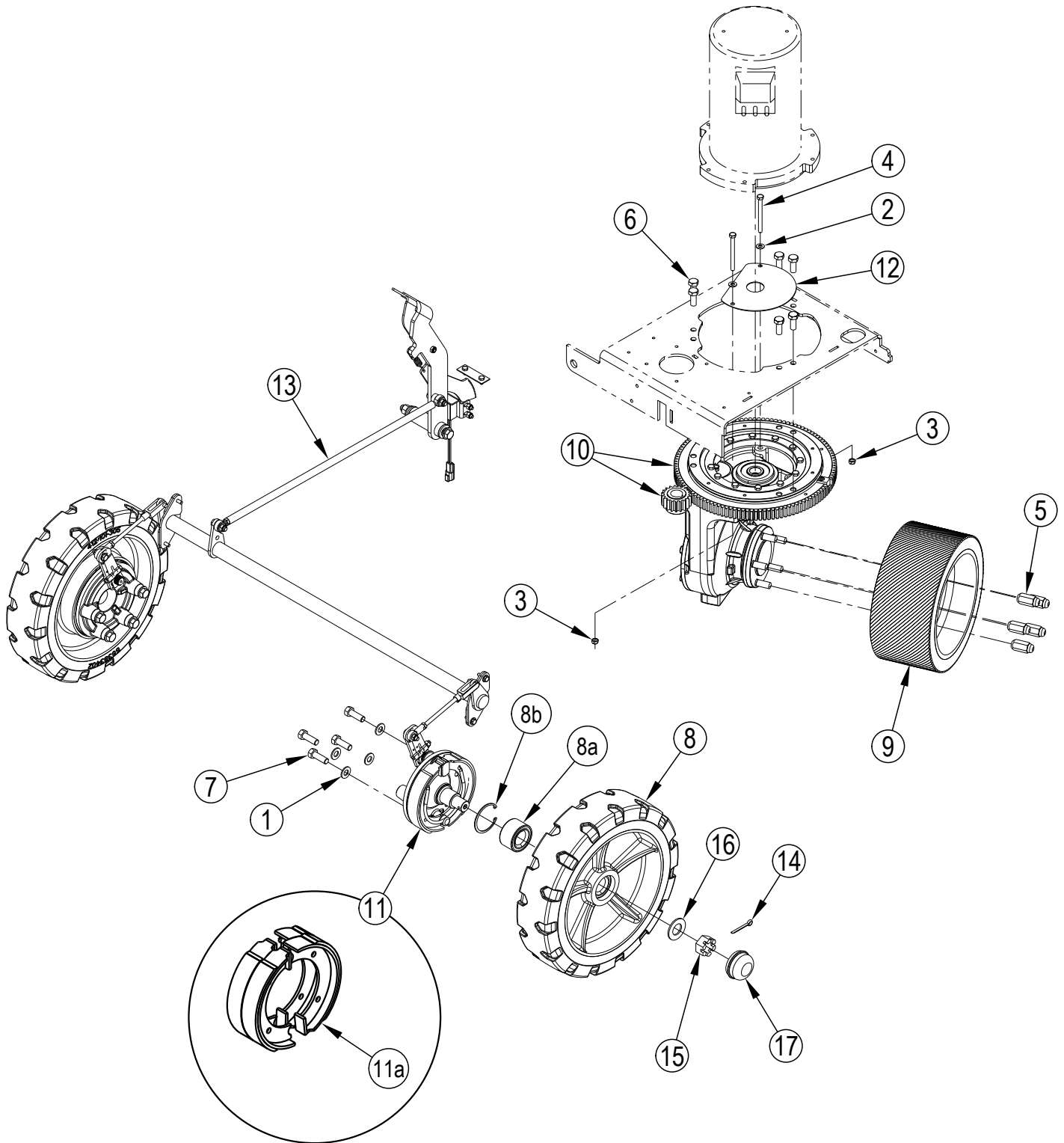
* = Optional, Not Included

NOTE 1: All squeegee blade kits include both front and rear squeegee blades.

NOTE 2: The squeegee weldment is not available for sale separately. If you need to replace it please order the entire squeegee assembly 56511216.

NOTE 3: If you need to replace the rear squeegee blades, they are available for sale separately.

WHEEL SYSTEM



WHEEL SYSTEM

Kit	Item	Ref. No.	Qty	Description
K1	1		8	Wsh-Flt Sae 1/2
K1,K4	2		2	Wsh, Flt Sae 5/16
K1,K4	3		2	Nut, Hex Nyl Loc-Thin 5/16-18
K1,K4	4		2	Scr-Hex 5/16-18 X 3.50
K1,K3	5		5	Nut Lug M14x1.5
K1	6		6	Scr, Hex Loc M12-1.75 X 30mm
K1	7		8	Scr, Hex Loc 1/2-20 X 1.50 Grade 8
	8	56383402	2	Wheel-Mold-On 16.2x4
	8a	56509532	1	Bearing-Wheel (for 56383402)
	8b	56509533	1	Ring-Snap (for 56383402)
	9	56509157	1	Wheel-Drive 310x140
K2	10	56509195	1	Gearbox-Traction Drive
	11	56509664	2	Brake & Spindle Assembly
K4	12		1	Shield-Splash
	13		1	Brake Linkage Assy (see pages 100-101)
	13a	56510762	1	Brake Shoe Kit (for 56509664 contains 4 brake shoes)
	14	2-00-02436	2	Pin, Cotter
	15	2-00-05026	2	1" X 14 Slotted Nut
	16	2-00-05239	2	Washer, Spacer
	17	8-11-00030	2	Grease Cap

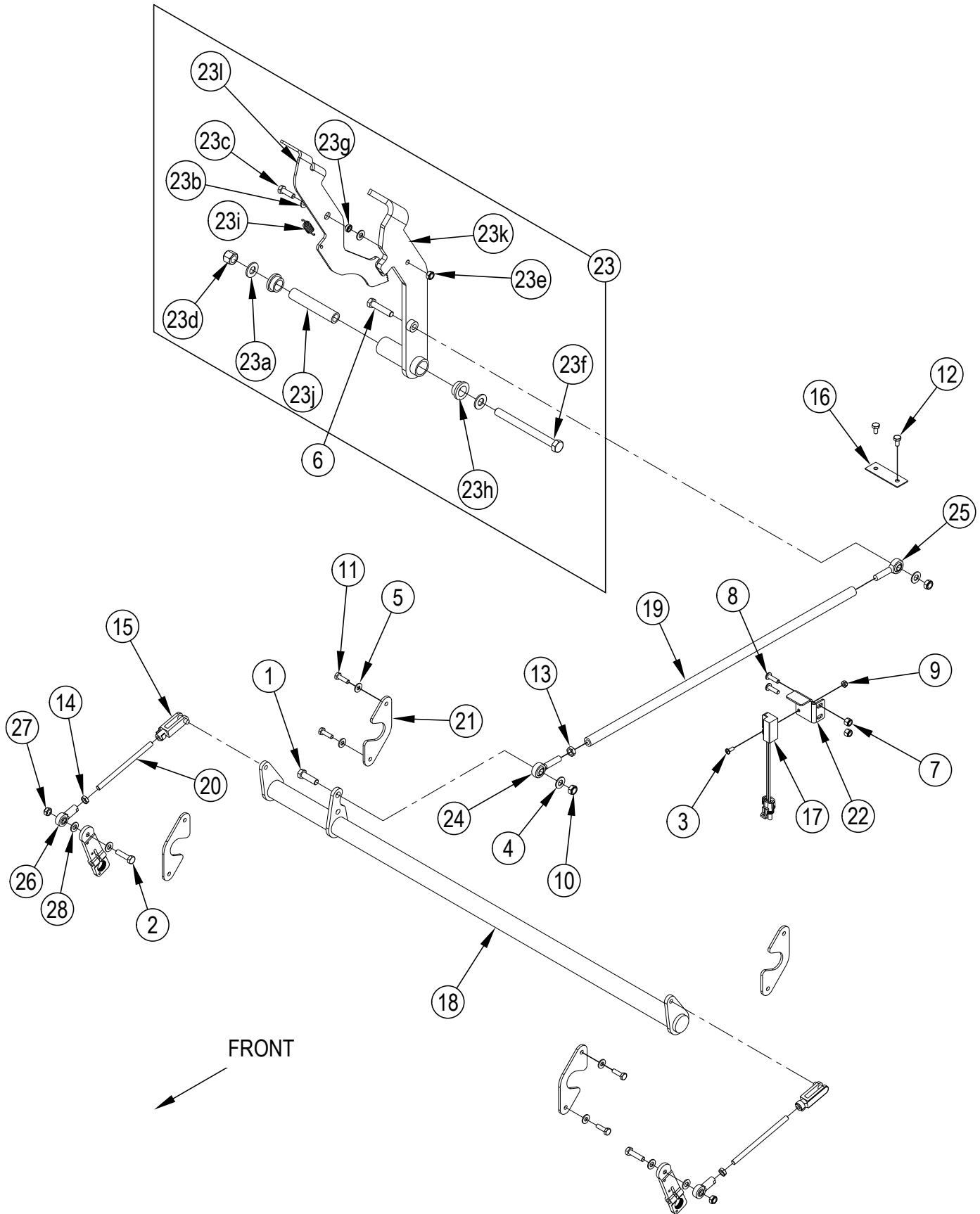
Service Kits

K1	56511880	1	Hardware kit-Wheel System
K2	56510825	1	Ring/Pinion Gear Kit-Steering (for 56509195)
K3	56510738	1	Lug Nut Kit
K4	56510737	1	Motor Kit-Drive

[] = Not Shown

* = Optional, Not Included

WHEEL SYSTEM-BRAKE LINKAGE ASSEMBLY



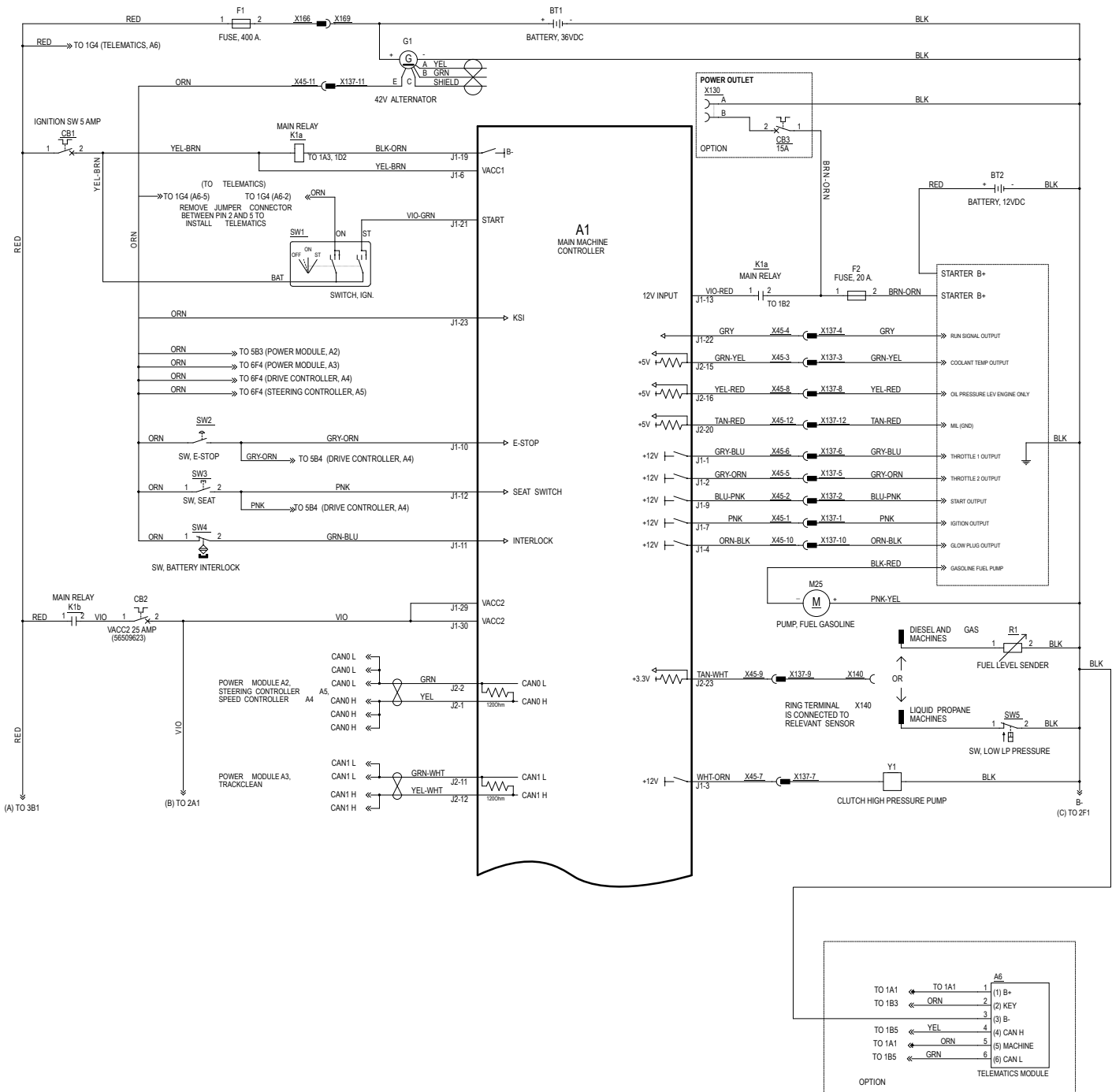
WHEEL SYSTEM-BRAKE LINKAGE ASSEMBLY

Kit	Item	Ref. No.	Qty	Description
K2	1		1	Scr. Hex 3/8-16 X 1.25
K2	2		2	Scr Hex 5/16-18 X 1.25
K2	3		1	Scr-Pan Phil 10-24 X .50
K1,K2	4		2	Wsh. Flt SAE 3/8
K2	5		4	Wsh. Flt SAE 1/4
K1,K2	6		1	Scr. Hex 3/8-16 X 1.75
K2	7		2	Nut, Hex Nyl Loc 1/4-20
K2	8		2	Scr-Pan Phil 1/4-20 X .88
K2	9		1	Nut, Hex Nyl Loc-Thin 10-24
K1,K2	10		2	Nut, Hex Nyl Loc-Thin 3/8-16
K2	11		4	Scr,Hex Hd Loc 1/4-20x.88
K1,K2	12		2	Scr, Hex Thd Form 1/4-20 X .50
K2	13		1	Nut, Hex Jam 3/8-24
K2	14		2	Nut Hex Jam 5/16-24
	15	56416089	2	Clevis Assembly
K1	16	56304543	1	Catch, Brake Lock
	17	56511830	1	Sensor-Proximity SW9
	18	56509365	1	Weldt-Brake Bar
	19	56509368	1	Rod-Brake
	20	56509369	2	Rod-Brake
	21	56509370	4	Pivot-Brake
	22	56511139	1	Bracket-Switch Mount
K1	23		1	Brake Pedal Assy
K1	23a		2	Wsh-Flt SAE 1/2
K1	23b		2	Wsh, Flt SAE 5/16
K1	23c		1	Scr. Hex 5/16-18 X 1.00
K1	23d		1	Nut-Hex Nyl Loc 1/2-13
K1	23e		1	Nut, Hex Nyl Loc-Thin 5/16-18
K1	23f		1	Scr. Hex 1/2-13 X 5.50
K1	23g		1	Bushing .323 X .500 X .180
K1	23h		2	Bearing, Fl 1.000x.750x.500
K1	23i		1	Spring, Extension
K1	23j		1	Bushing-.520 X .750 X 3.995
K1	23k		1	Brake Pedal Weldt
K1	23l		1	Pedal-Park Brake
	24	2-00-06016	1	Rod End, 3/8-24 Rh
	25	2-00-06017	1	Rod End, 3/8-24 Left Hand
	26	56418478	2	Rod End .31
K2	27		2	Nut Hex Nyl Loc-Thin 5/16-18
K2	28		4	Wsh Flt SAE 5/16

Service Kits

K1	56510786	1	Brake Pedal Kit
K2	56510785	1	Hardware Kit-Brake Linkage

LADDER DIAGRAM-1



LADDER DIAGRAM-1

Kit	Item	Ref. No.	Qty	Description
	A1	56511588	1	MAIN CONTROLER
	BT1	NA	1	Battery 36V 770 Amp HR NOTE 1
		NA	1	Battery 36V NOTE 2
	BT2	56380449	1	Battery 12V Wet NOTE 1
	CB1	56315255	1	Circuit Breaker-5 Amp (Battery)
	CB2	56509623	1	Circuit Breaker-25 Amp (VACC2)
	CB3	56509623	1	Circuit Breaker-15 Amp (Power Outlet 12V)
	F1	56303297	1	Fuse, 400 Amp (Main Fuse)
	F2	287020	1	Fuse, 20 Amp (12V from Starter)
	G1	56511663	1	Alternator 42 Vdc, 310 A (System power)
	K1	40892A	1	Main Relay
	M25	56511864	1	Pump, Fuel (for Gasoline engine)
	R1	56511257	1	Fuel Level Sender (Gasoline and Diesel fuel level)
	SW1	56111109	1	Switch Assembly, Key (Ignition Switch)
	SW2	56104247	1	Disconnect, Emergency (Emergency Stop)
	SW3	7-82-00050	1	Switch-Seat
	SW4	56511830	1	Switch-Battery Interlock (Battery Interlock)
	SW5	56511563	1	Switch-N.C. Pressure (Signals low/empty LPG tank)
	Y1	NA	1	Clutch-High Pressure Pump (part of High Pressure Pump Assy 56509812 / Optional)

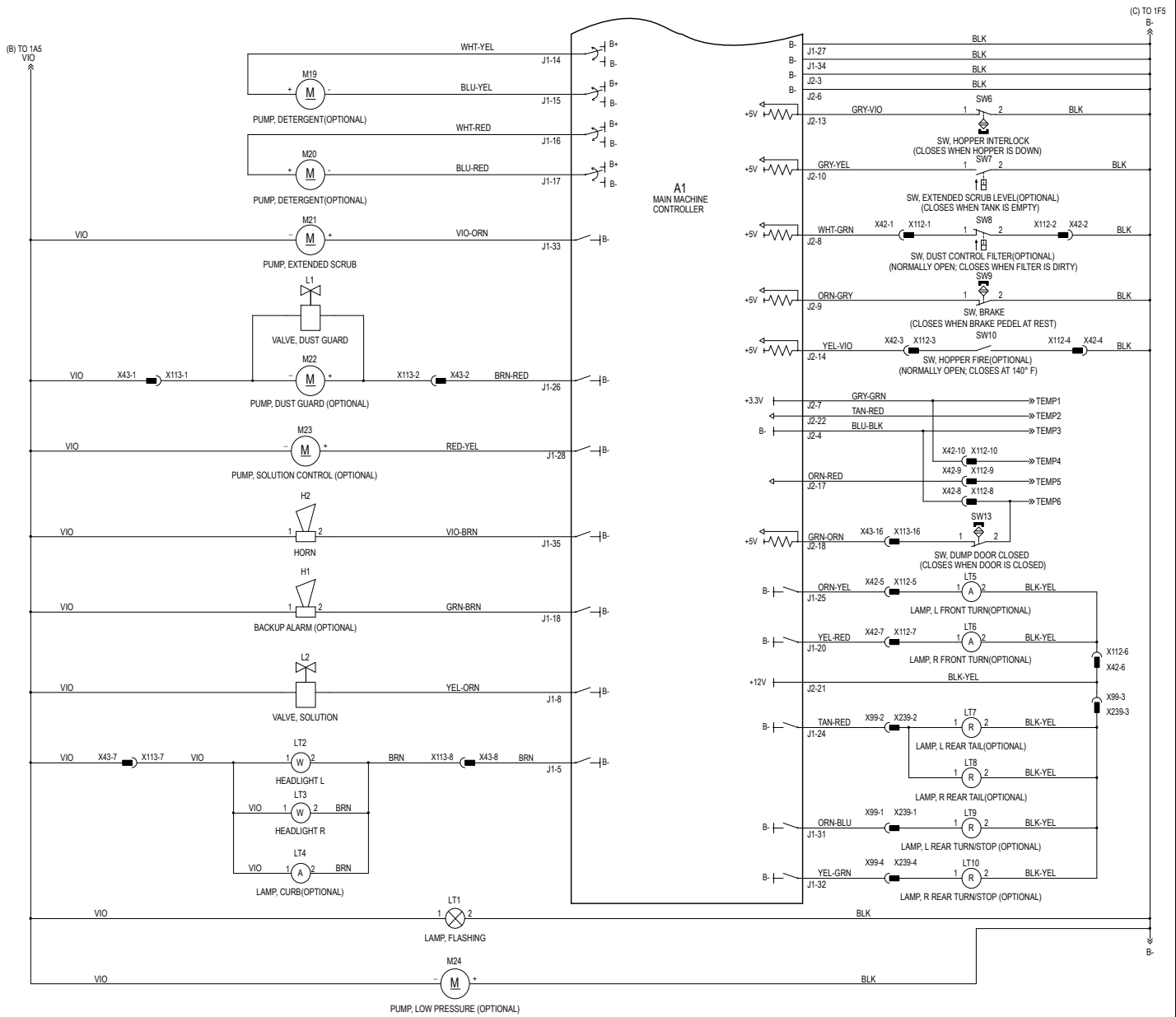
NOTE 1: These items are only used on LPG and diesel models.

NOTE 2: Only used on battery models.

Color Codes

BLK	Black
BLU	Blue
BRN	Brown
GRA	Gray
GRN	Green
ORN	Orange
PINK	Pink
RED	Red
TAN	Tan
VIO	Violet
WHT	White
YEL	Yellow

LADDER DIAGRAM-2



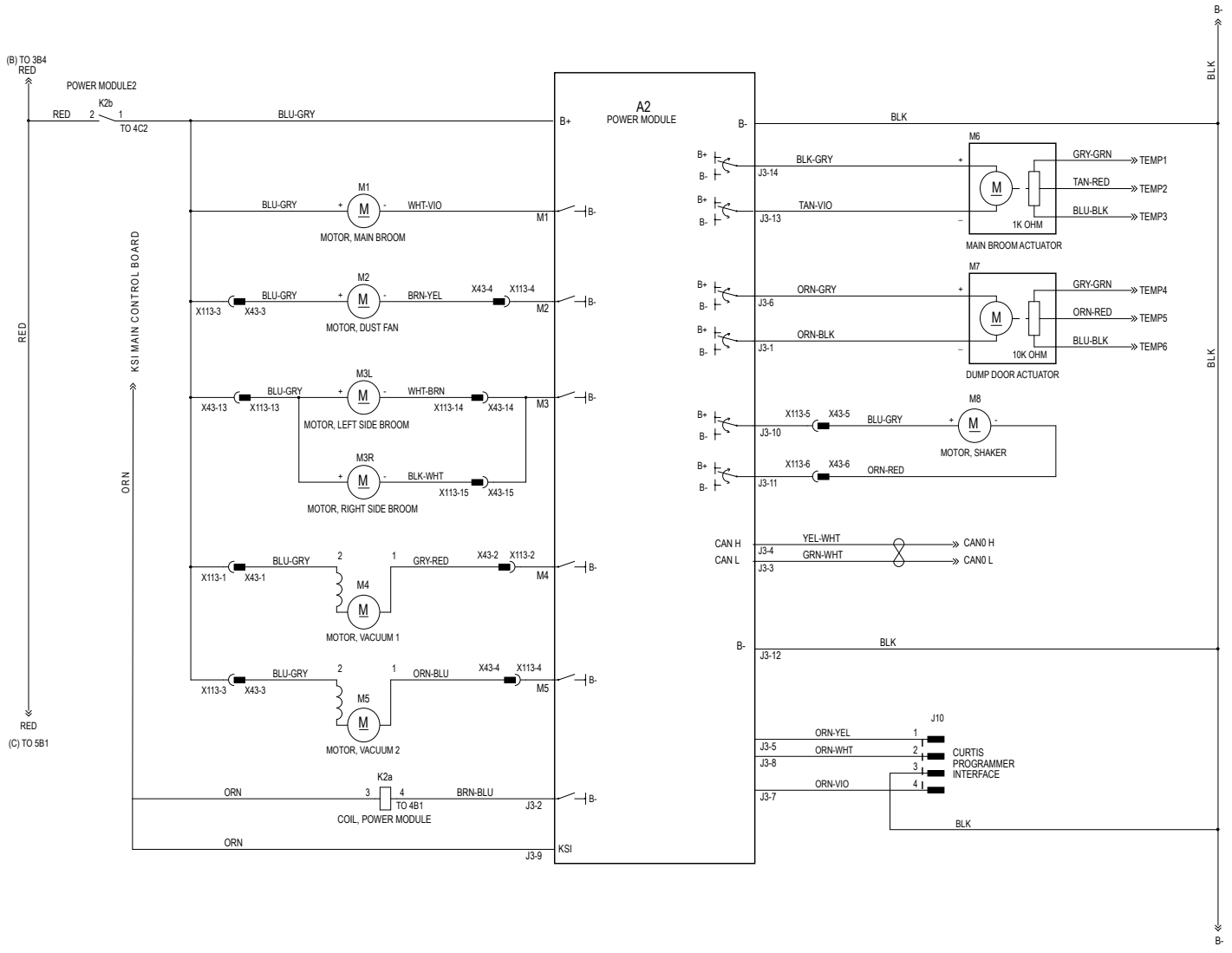
LADDER DIAGRAM-2

Kit	Item	Ref. No.	Qty	Description
	A1	56511588	1	Main Controler
	H1	56409232	1	Backup Alarm
	H2	56482365	1	Horn 36V
	L1	56397216	1	Solenoid Valve Assy (Dust Guard / Optional)
	L2	56384490	1	Valve, 36V Solenoid (Solution)
	LT1	56510893	1	Beacon, Warning (Optional)
	LT2	56383032	1	Light Assy (Left)
	LT3	56383032	1	Light Assy (Right)
	LT4		1	Curb Light (Optional)
	LT5	56509559	1	Light-Turn Signal (Left Front / Optional)
	LT6	56509559	1	Light-Turn Signal (Right Front / Optional)
	LT7	56510280	1	Left Tail Light (Optional)
	LT8	56510280	1	Right Tail Light (Optional)
	LT9	56511857	1	Light Red (Left Rear Turn Signal / Optional)
	LT10	56511857	1	Light Red (Right Rear Turn Signal / Optional)
	M19	56110742	1	Pump Detergent 12V (EcoFlex / Optional)
	M20	56110742	1	Pump Detergent 12V (EcoFlex / Optional)
	M21	56511834	1	Pump 36V (Extended Scrub Pump)
	M22	56116767	1	Pump-36vdc (Dust Guard / Optional)
	M23	56511834	1	Pump 36V(EcoFlex / Optional)
	M24	56511835	1	Pump Assy (Spray Wand Kit / Optional)
	SW6	56511830	1	Sensor-Proximity (Hopper Interlock)
	SW7	56509932	1	Switch-Extended Scrub Level (Optional)
	SW8	56509761	1	Switch-Vacuum (Plugged Filter Kit / Optional)
	SW9	56511830	1	Sensor-Proximity (Brake Switch)
	SW10	56418405	1	Switch-Temperature (Hopper Temp Sensor Kit)
	SW13	56511830	1	Sensor, Proximity (Switch, Dump Door Closed)

Color Codes

BLK	Black
BLU	Blue
BRN	Brown
GRA	Gray
GRN	Green
ORN	Orange
PINK	Pink
RED	Red
TAN	Tan
VIO	Violet
WHT	White
YEL	Yellow

LADDER DIAGRAM-3



LADDER DIAGRAM-3

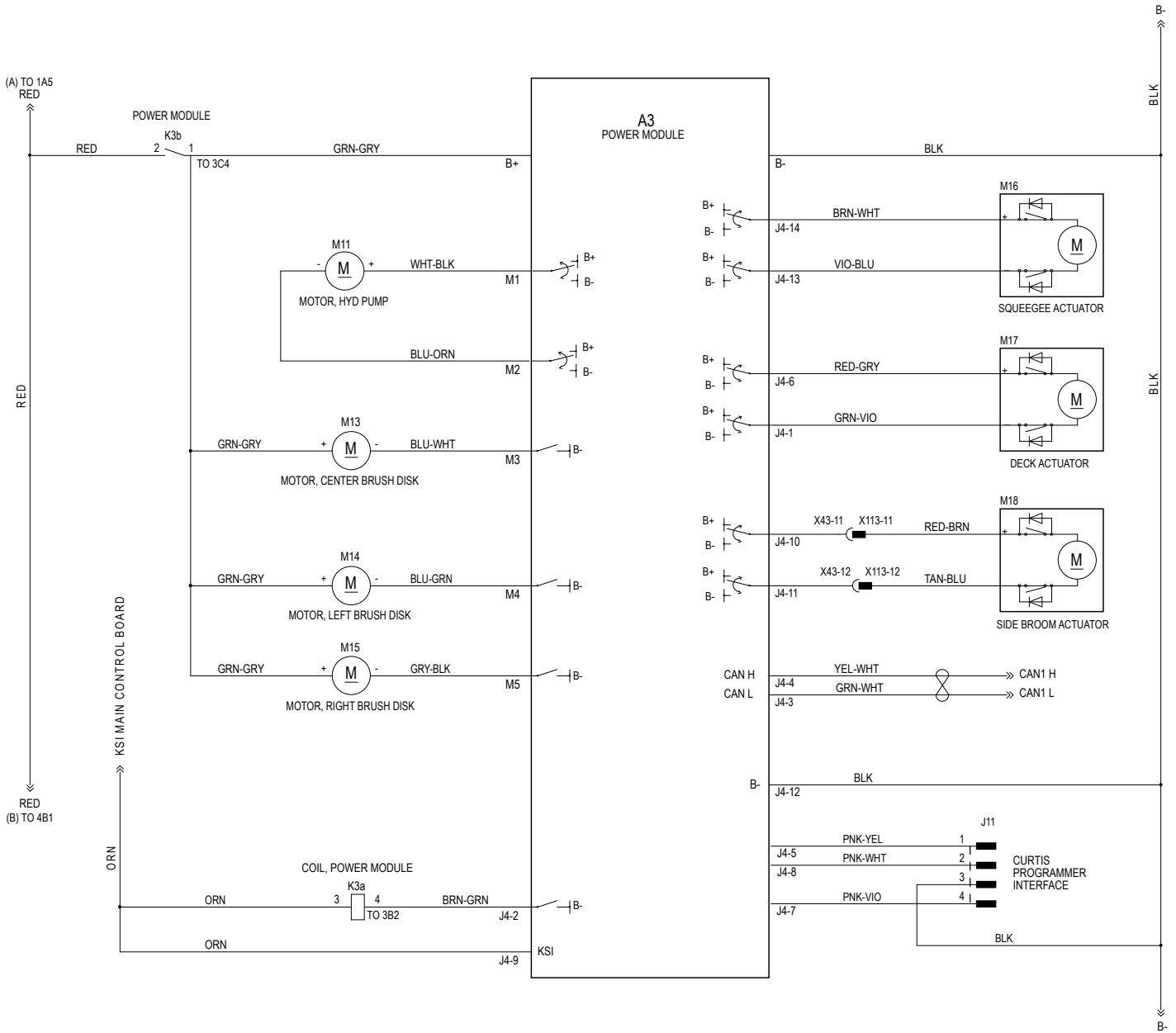
Kit	Item	Ref. No.	Qty	Description
	A2	56511622	1	Power Module
	J10	NA	1	Curtis Programmer Interface
	K2	56395453	1	Contactor 36V (Power Module A2)
	M1	56510740	1	Motor Kit-Broom
	[]	56422152	1	Motor Brush Kit (for 56510740)
	M2	33015359	1	Vac Fan 36v (Dust control System)
	M3R	56384565	1	Motor-42vdc-115rpm-0.4hp-Right
	[]	56384521	1	Sidebroom Motor Brush Kit (for 56384565 & 56384564)
	M3L	56384564	1	Motor-42vdc-115rpm-0.4hp-Left
	[]	56384521	1	Sidebroom Motor Brush Kit (for 56384565 & 56384564)
	M4	56511400	1	Vac Motor Assy (Solution recovery)
	M5	56511400	1	Vac Motor Assy (Solution recovery)
	M6	56511260	1	Actuator-Lin-36v-51mm Stroke (Main Broom Actuator)
	M7	56511759	1	Actuator-36v (Dump Door Actuator Motor)
	M8	56511366	1	Motor-36vdc-Filter Shaker (Shaker Motor)

[] = Not Shown

Color Codes

BLK	Black
BLU	Blue
BRN	Brown
GRA	Gray
GRN	Green
ORN	Orange
PINK	Pink
RED	Red
TAN	Tan
VIO	Violet
WHT	White
YEL	Yellow

LADDER DIAGRAM-4



LADDER DIAGRAM-4

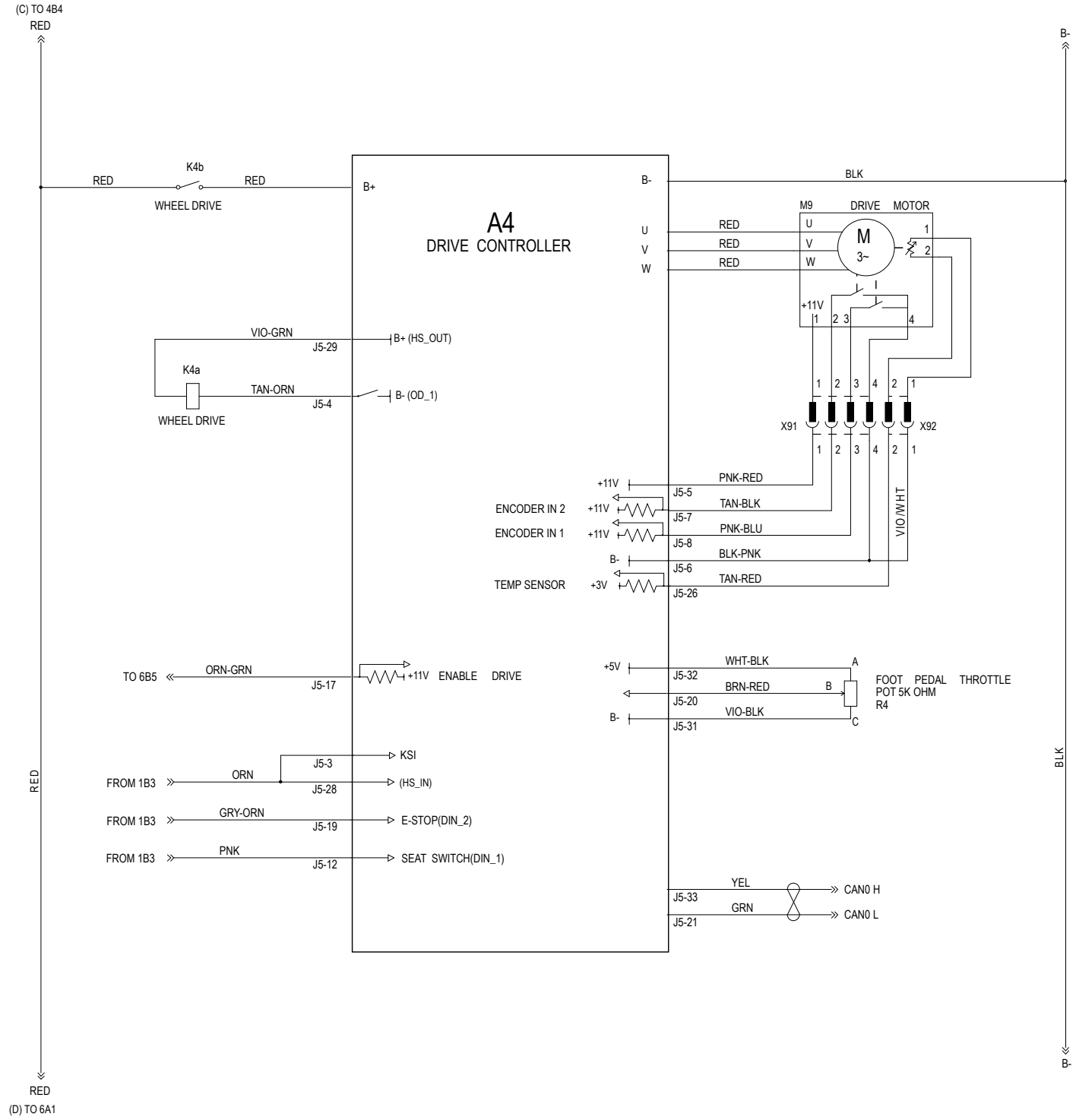
<u>Kit</u>	<u>Item</u>	<u>Ref. No.</u>	<u>Qty</u>	<u>Description</u>
	A3	56511622	1	Power Module
	J11	NA	1	Curtis Programmer Interface
	K3	56395453	1	Contactor 36V (Power Module A3)
	M11	56511831	1	Motor-36v-3669rpm-0.55hp (Hydraulic Pump Motor)
	M13	56511862	1	Motor-36vdc-2750rpm-1hp (Motor-Center Brush)
	[]	56510763	1	Brush Kit (for 56511862)
	M14	56511862	1	Motor-Left Brush
	[]	56510763	1	Brush Kit (for 56511862)
	M15	56511861	1	Motor-Right Brush
	[]	56510763	1	Brush Kit (for 56511861)
	M16	56511259	1	Actuator-Lin-36v-89mm Stroke (Squeegee Actuator)
	M17	56511263	1	Actuator-Lin-36v-152 Mm Stroke (Scrub Deck Actuator)
	M18	56116781	1	Actuator-Squeegee (Side Broom Actuator)

[] = Not Shown

Color Codes

BLK	Black
BLU	Blue
BRN	Brown
GRA	Gray
GRN	Green
ORN	Orange
PINK	Pink
RED	Red
TAN	Tan
VIO	Violet
WHT	White
YEL	Yellow

LADDER DIAGRAM-5



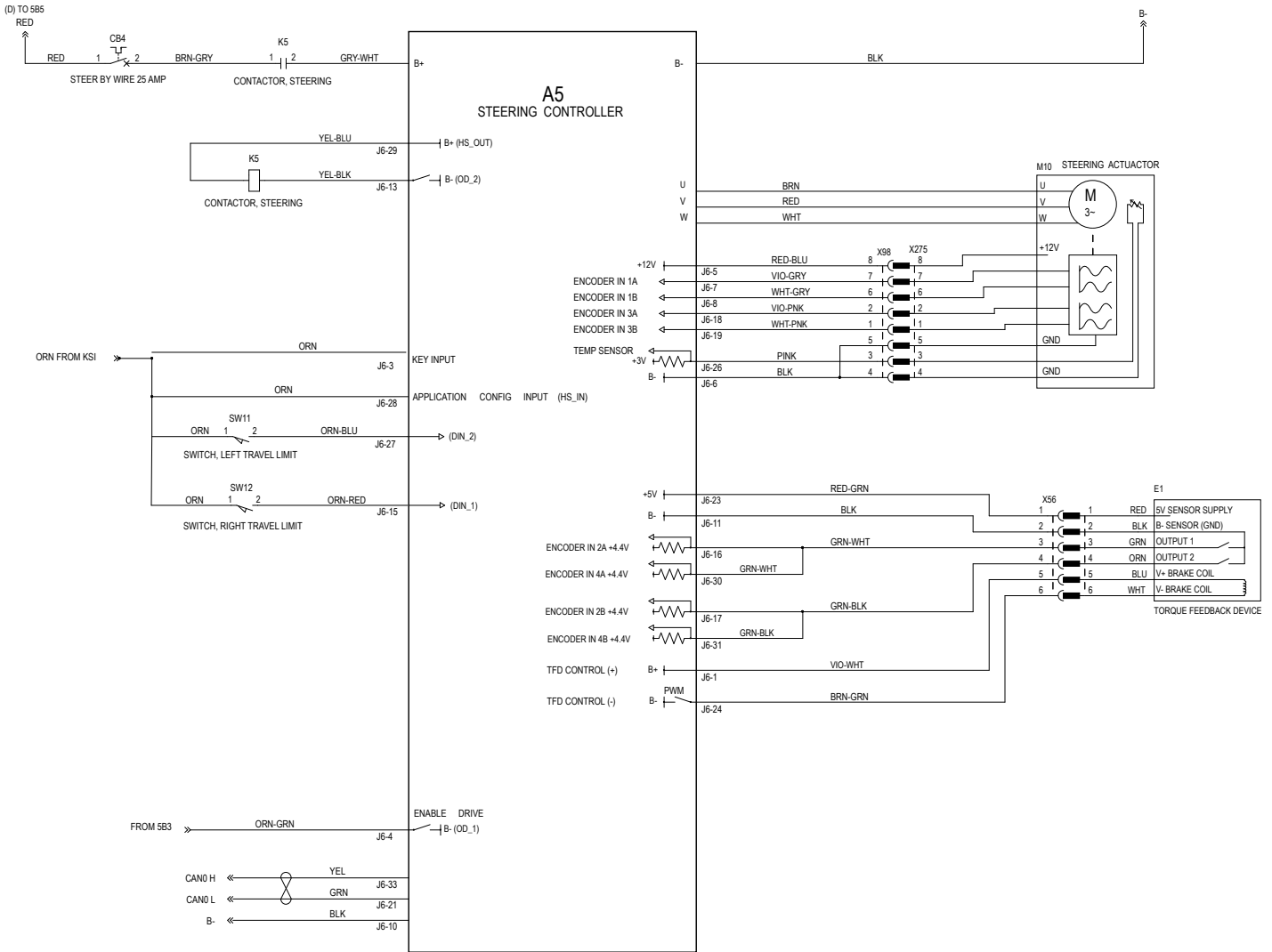
LADDER DIAGRAM-5

Kit	Item	Ref. No.	Qty	Description
	A4	56511698	1	Controller, Motor Speed (Drive Controller)
	K4	56395453	1	CONTACTOR, 36V (Drive Contactor)
	M9	56509168	1	Motor, Traction – Ac (Motor, Wheel Drive)
	R4	56601052	1	Foot Pedal Assy (Traction throttle)

Color Codes

BLK	Black
BLU	Blue
BRN	Brown
GRA	Gray
GRN	Green
ORN	Orange
PINK	Pink
RED	Red
TAN	Tan
VIO	Violet
WHT	White
YEL	Yellow

LADDER DIAGRAM-6

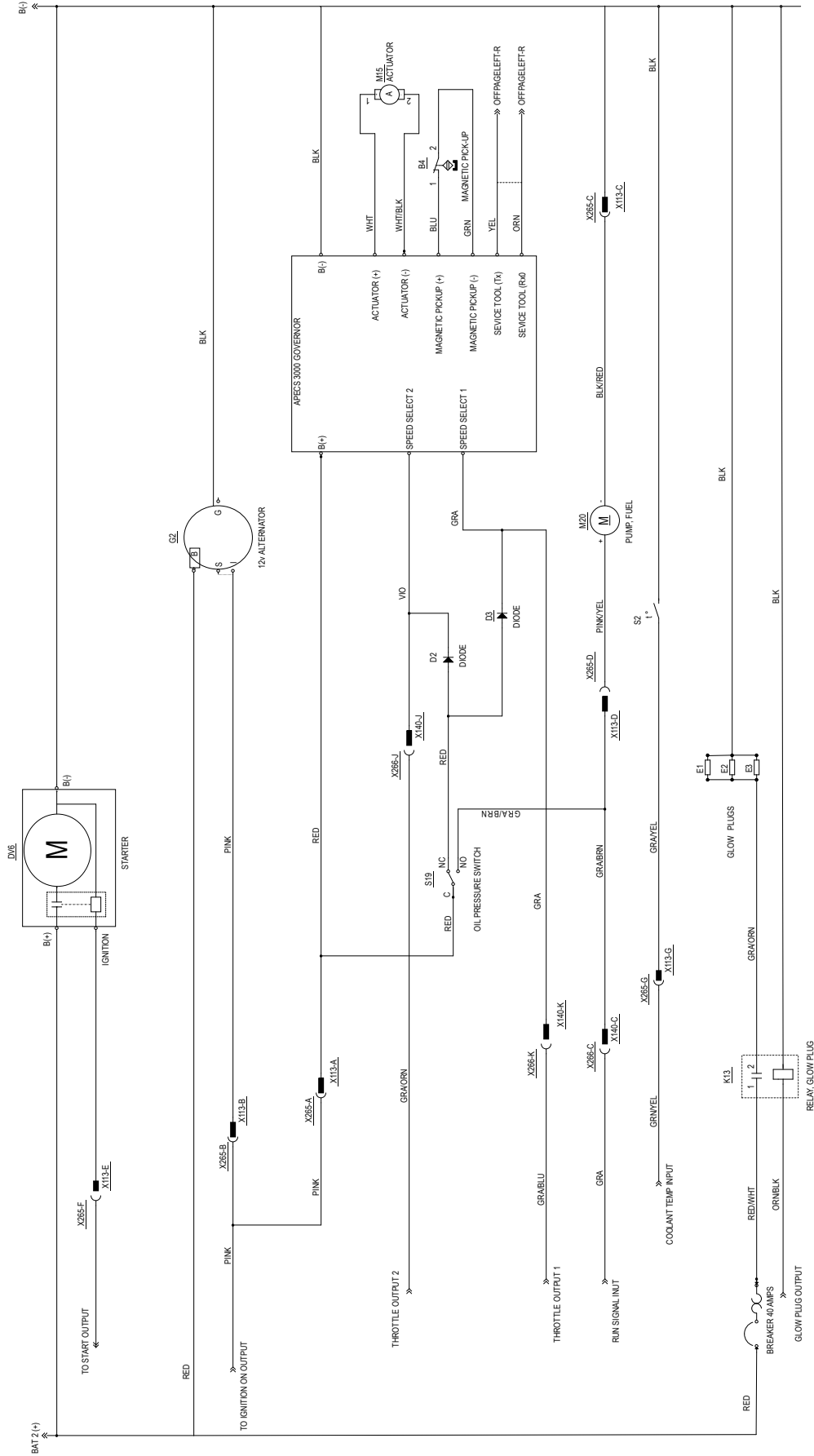


LADDER DIAGRAM-6

Kit	Item	Ref. No.	Qty	Description
	A5	56511598	1	Controller-Steering Motor (Steering Controller)
	CB4	56315255	1	Circuit Breaker-25 Amp (Steering CB)
	E1	56511615	1	Torque Feedback Device (Steering Wheel Sensor)
	K5	40892A	1	Relay (Steering Relay)
	M10	56511657	1	Motor-Steering (Steer Actuator)
	SW11	56511830	1	Sensor, Proximity (Switch, Left Travel Limit)
	SW12	56511830	1	Sensor, Proximity (Switch, Right Travel Limit)

LADDER DIAGRAM-KUBOTA DIESEL ENGINE SYSTEM

KUBOTA DIESEL ENGINE SYSTEM



LADDER DIAGRAM-KUBOTA DIESEL ENGINE SYSTEM

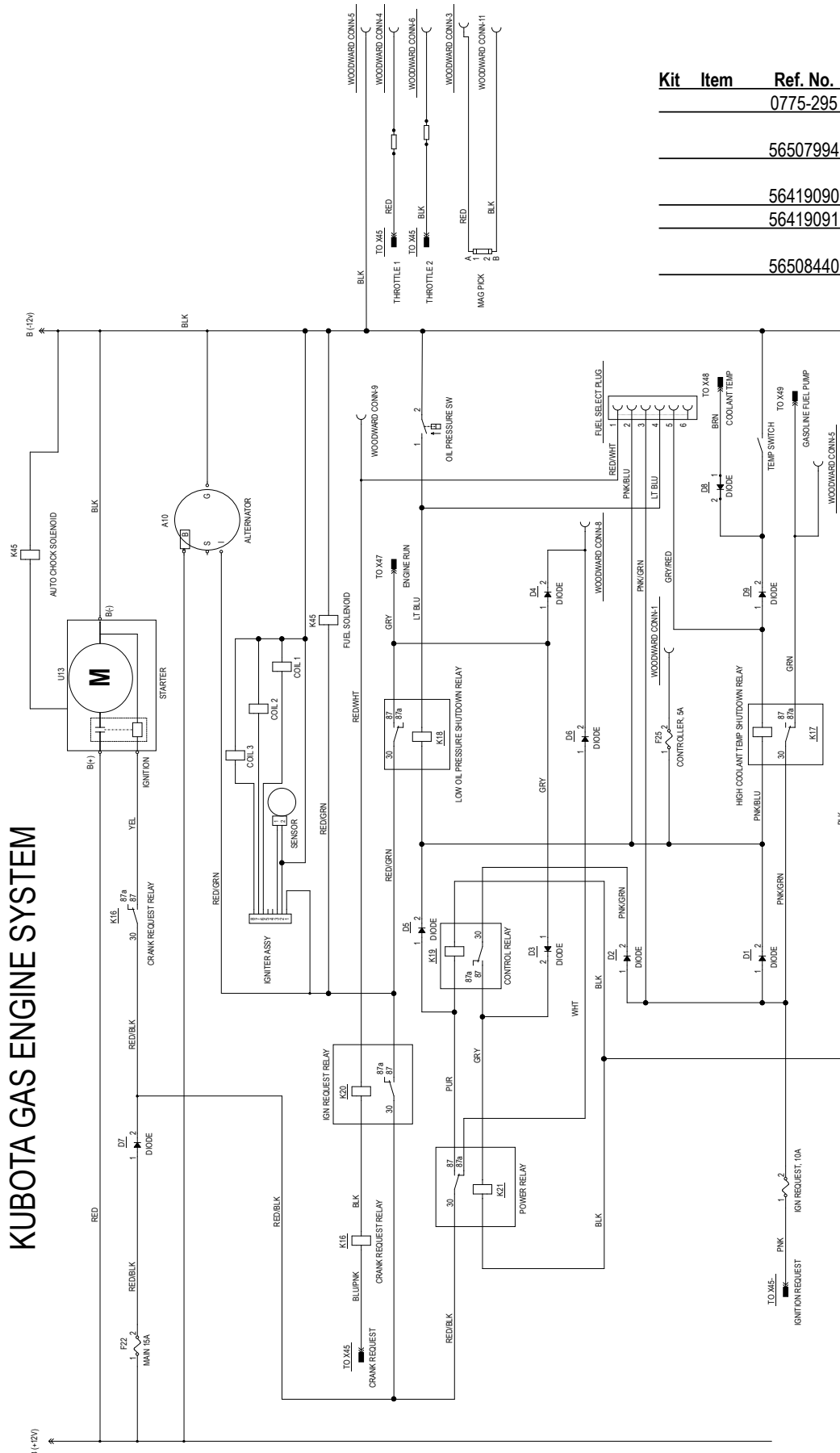
Kit	Item	Ref. No.	Qty	Description
	B4	NA	1	Magnetic Pick-Up (part of Apecs 3000 Governor 56510350)
	CB11	56509624	1	Circuit Breaker-40A (Glow Plugs)
	DV6	56419089	1	Starter
	E1	NA	1	Glow Plug
	E2	NA	1	Glow Plug
	E3	NA	1	Glow Plug
	G2	56510385	1	Alternator
	K13	56110423	1	Relay-SPST 12V 75A
		56510350	1	Apecs 3000 Governor
	M15	NA	1	Actuator (part of Apecs 3000 Governor 56510350)
	M20	56508355	1	Fuel Pump
	S18	56419091	1	Switch-Coolant Temp
	S19	56508444	1	Switch-Oil Pressure

Color Codes

BLK	Black
BLU	Blue
BRN	Brown
GRA	Gray
GRN	Green
ORN	Orange
PINK	Pink
RED	Red
TAN	Tan
VIO	Violet
WHT	White
YEL	Yellow

LADDER DIAGRAM-KUBOTA-GASOLINE-PETROL ENGINE SYSTEM

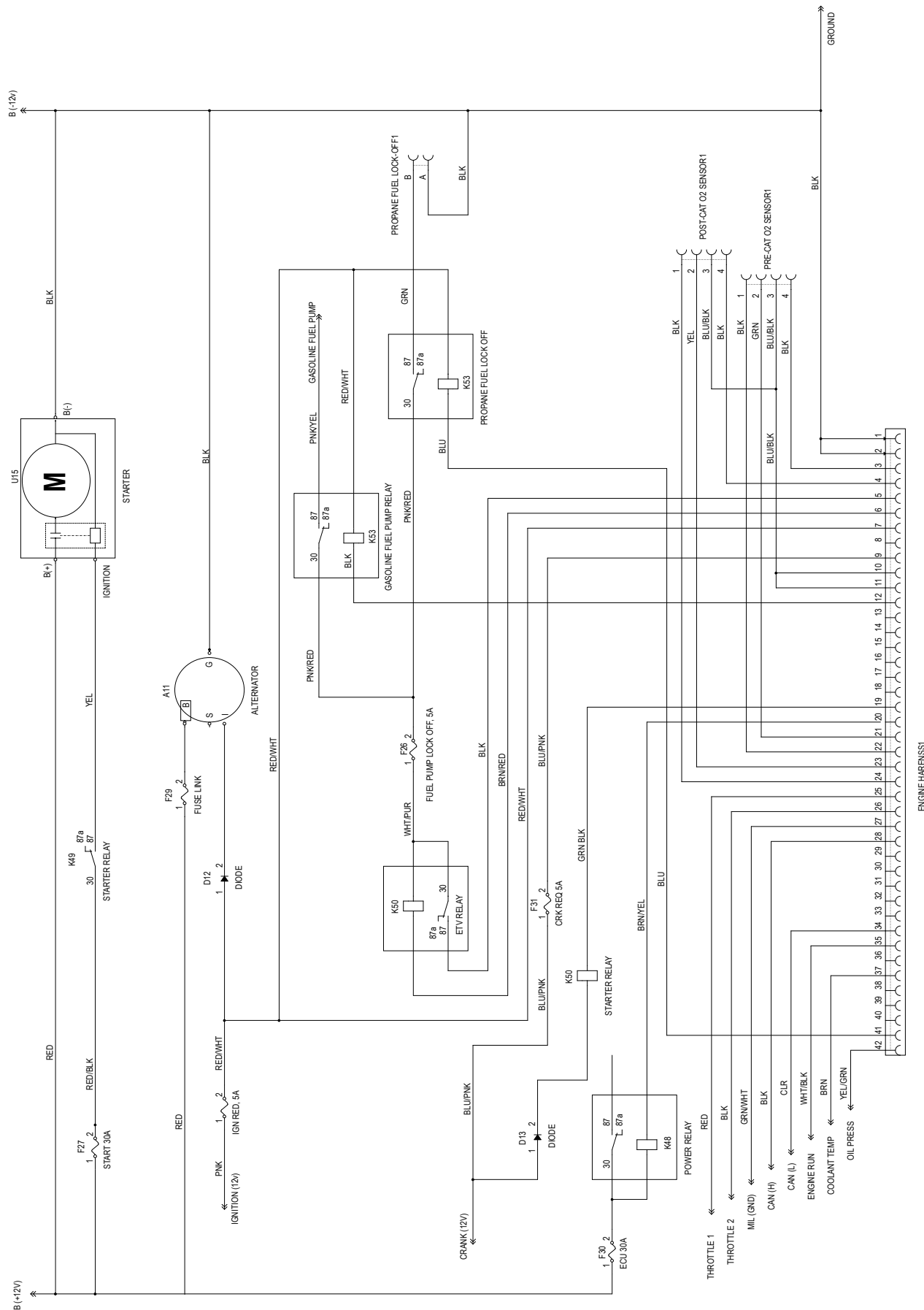
KUBOTA GAS ENGINE SYSTEM



Kit	Item	Ref. No.	Qty	Description
		0775-295	1	Alternator
		56507994	1	Fuel Lock-Off Solenoid
		56419090	1	Oil Switch
		56419091	1	Temp Switch
		56508440	1	Starter

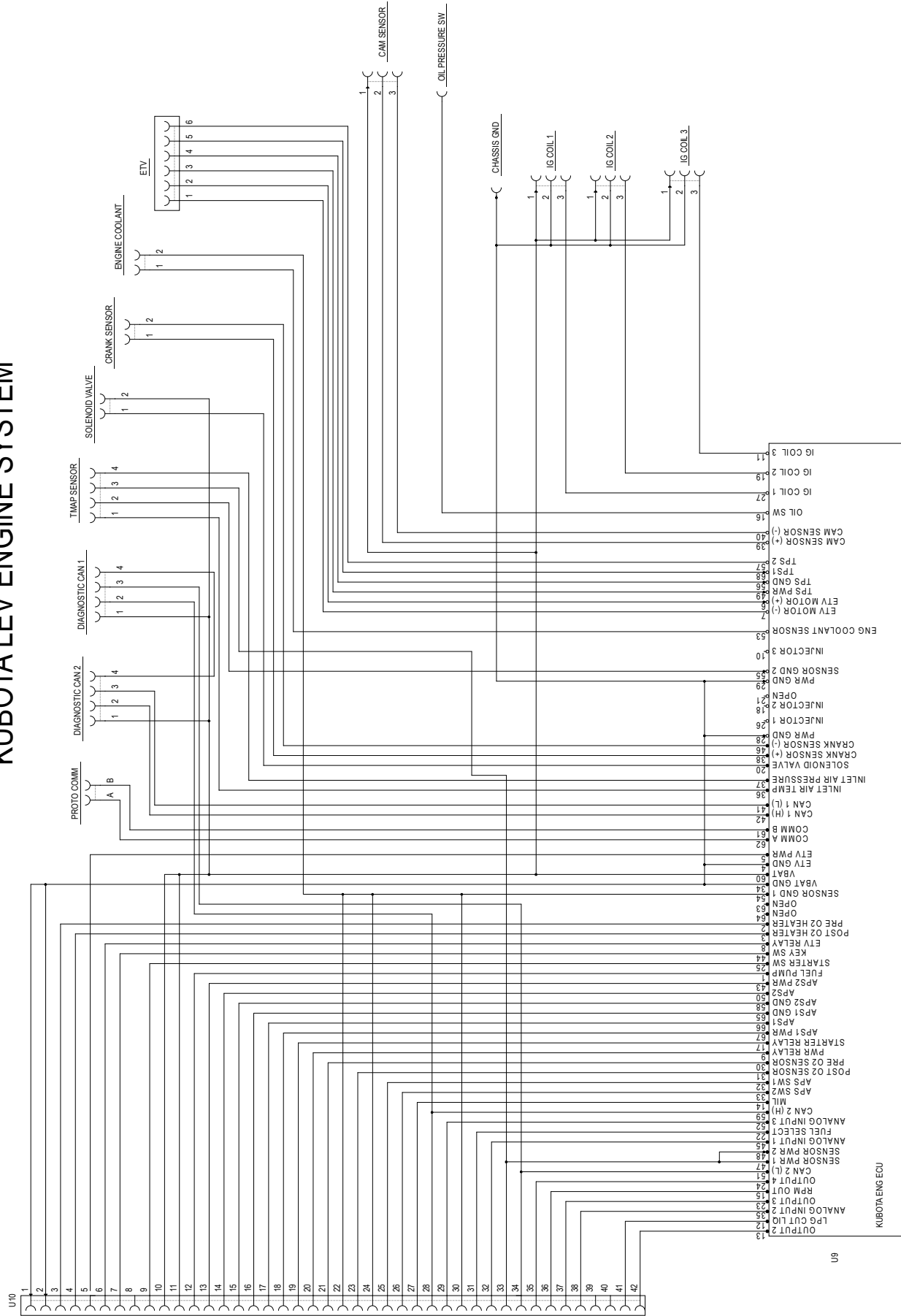
LADDER DIAGRAM-KUBOTA-LEV ENGINE SYSTEM-1

KUBOTA LEV ENGINE SYSTEM

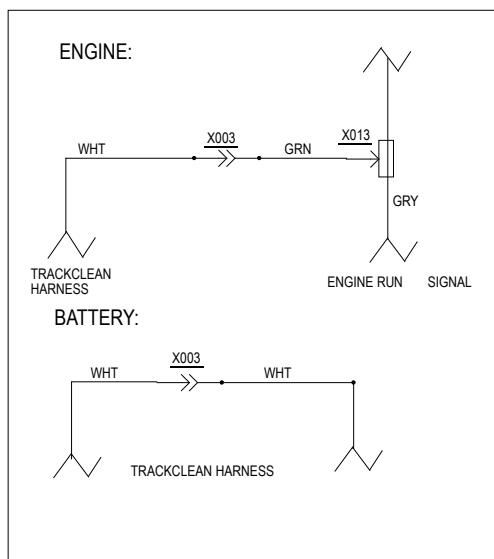


LADDER DIAGRAM-KUBOTA-LEV ENGINE SYSTEM-2

KUBOTA LEV ENGINE SYSTEM

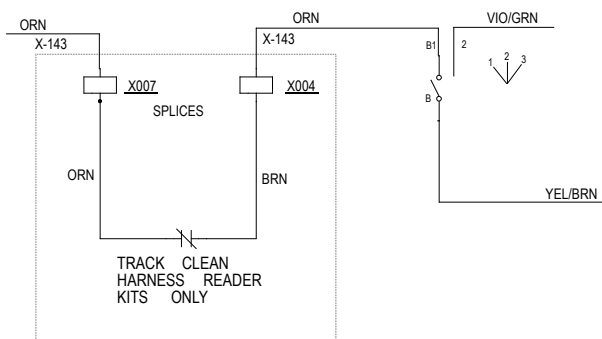


LADDER DIAGRAM-TRACK CLEAN CONNECTIONS

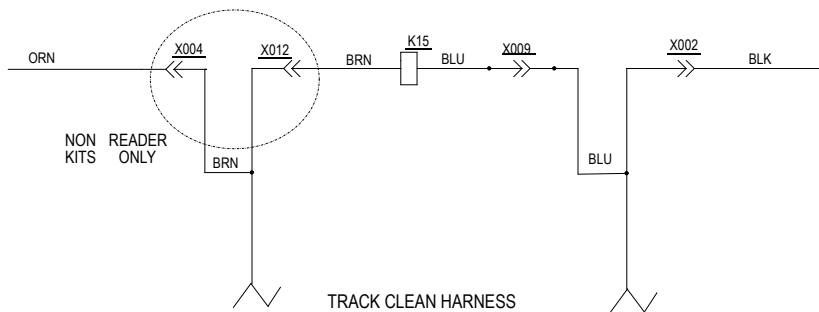
SCHEMATIC
DIAGRAM

KEY SWITCH DETAIL:

CUT ORN X-143



K15 RELAY DETAIL



OPTIONAL KITS & ACCESSORIES

Ref. No.	Qty	Description
		Optional Kits NOTE 3
* 56511845	1	Extended Scrub Kit
* 56509988	1	Deluxe Seat Kit
* 56509975	1	Overhead Guard Kit-79"
* 56510399	1	Overhead Guard Kit-82"
* 56383455	1	Seat Belt Kit
* 56511858	1	Brake Light/Turn Signal Kit
* 56511757	1	Rear Corner Roller Kit
* 56509914	1	Front Corner Roller Kit
* 56510326	1	Super Duty Kit
* 56510605	1	Fire Extinguisher Kit
* 56511843	1	Back-Up Alarm Kit
* 56509994	1	Floor Mat Kit
* 56511855	1	Ecoflex Kit-Advance
* 56509811	1	High Pressure Pump Kit-Diesel
* 56509810	1	High Pressure Pump Kit-Lpg
* 56509729	1	Plugged Filter Switch Kit
* 56509728	1	Hopper Temperature Sensor Kit
* 56383045	1	Light Kit
* 56511852	1	Overhead Guard Beacon Kit
* 56510444	1	Overhead Guard Canopy Kit
* 56511851	1	Warning Beacon Kit
* 56510424	1	Solution Fill Shut-Off Kit
* 56510443	1	Vac Wand Kit
* 56511839	1	Wash Hose Kit
* 56510015	1	Water Heater Option-LPG
* 56510464	1	Water Heater Option-Diesel
* 56383189	1	Arm Rest Option (R/H Only)
* 56511741	1	Squeegee Guard Kit
* 56510450	1	Front Bumper Kit
* 56601410	1	Drain Hose Extension
* 56111280	1	Recovery Tank Clean Out Kit
* 56510465	1	Accessory Socket Kit
* 56511841	1	Dust Guard Kit

OPTIONAL KITS & ACCESSORIES

<u>Squeegee Blade Kits (See Squeegee Blade Selector Guide)</u>		
	56510371	1 Blade kit-Squeegee Red Gum NOTE 1
*	56510372	1 Blade kit-Squeegee Gum NOTE 1
*	56510373	1 Blade Kit-Squeegee PU NOTE 1
<u>Deck Blade Kits</u>		
	56510374	1 Blade Kit-Deck Red Gum NOTE 2
*	56510375	1 Blade Kit-Deck Gum NOTE 2
*	56510376	1 Blade Kit-Deck PU NOTE 2
<u>Options</u>		
	56383293	1 Wheel-Drive 310x140 NOTE 4
<u>Accessories</u>		
*	56044725	1 Literature Pack
<u>Scrub Brushes (See Brush Selector Guide)</u>		
*	56505780	3 Short Trim Pad Holder
*	56505195	3 Pad Retainer for 56505750
*	56505785	3 ProLite
*	56505784	3 Prolene
*	56505786	3 Union Mix
*	56505783	3 AgLite Grit 500
*	56505787	3 MidGrit 240
*	56505788	3 MidLite Grit 180
*	56505782	3 Dyna Grit 80
*	56505781	3 Magna Grit 46
<u>Main Brooms</u>		
	33018858	1 Broom-Main Prolene/Wire
*	33018856	1 Broom-Main Nylon
*	33018857	1 Broom-Main Prolene
<u>Side Brooms</u>		
	56510707	1 Broom-Side Poly

* = Optional, Not Included

NOTE 1: All squeegee blade kits include both front and rear squeegee blades.

NOTE 2: All Deck Blade Kits include all blades for both skirt assemblies

NOTE 3: Replacement parts for the kits listed above can be found on each kit's associated instruction sheet.

NOTE 4: This drive wheel can be used in place of the standard drive wheel 56509157 for increased traction.

RECOMMENDED SPARE PARTS

Ref. No.	Qty	Description	Ref. No.	Qty	Description
		Wear Parts			Extra Ordinary Maintenance
		Brushes			Actuators
56505780		Short Trim Pad Holder	56511263		Actuator-Scrub Deck
56505195		Pad Retainer (For 56505780)	56511259		Actuator-Squeegee Lift
56505785		Prolite	56116781		Actuator-Side Broom
56505784		Prolene	56511260		Actuator-Broom Lift
56505786		Union Mix	56511758		Actuator-Dump Door
56505783		AgLite Grit 500	56511657		Actuator-Steering 36V
56505787		MidGrit 240			Relays
56505788		MidLite Grit 180	40892A		Relay, DPDT 36VDC (K1 / Main Relay)
56505782		Dyna Grit 80	40892A		Relay, DPDT 36VDC (K5 / Steering Relay)
56505781		Magna Grit 46			Fuses
		Brooms	56303297		Fuse, 400 Amp F1
33018858		Broom-Main Prolene/Wire	N/A		Fuse, 150 Amp F2
33018856		Broom-Main Nylon			Sensors - Switches
33018857		Broom-Main Prolene	N/A		Current Sensor (Brush)
		Side Brooms	N/A		Current Sensor (Broom)
56510707		Broom-Side Poly	N/A		Current Sensor (Vac)
		Deck Blades & Hardware	56511830		Sensor-Proximity (Hopper Interlock)
		Left Skirt	56509932		Switch-Extended Scrub Level (Optional)
56510374		Blade Kit-Deck Red Gum	56511830		Sensor-Proximity (Brake)
56510375		Blade Kit-Deck White Gum	56509761		Switch-Vacuum (Plugged Filter Kit / Optional)
56510376		Blade Kit-Deck PU	56511830		Sensor-Proximity (Hopper Dump Door Extent)
56510810		Arm Kit-Side Squeegee	56418405		Switch-Temperature (Hopper Temp Sensor Kit)
56510883		Strap Kit-Side Squeegee LT FR			Motors & Carbon Brushes
56510882		Strap Kit-Side Squeegee LT RR	33015359		Motor Vacuum 36V
		Right Skirt	56511367		Shaker Motor Kit
56510374		Blade Kit-Deck Red Gum	56508440		Starter Motor LPG
56510375		Blade Kit-Deck White Gum	56419089		Starter Motor Diesel
56510376		Blade Kit-Deck PU	56511831		Motor 36V 0.55Hp (Hydraulic Pump Hopper Cyl)
56510810		Arm Kit-Side Squeegee	56511400		Motor Vacuum 36V Dc
56510811		Strap Kit-Side Squeegee	56116107		Vacuum Motor Brush Kit
56510812		Hardware Kit-Side Squeegee Rt	56384565		Motor-42vdc-115rpm-0.4hp-Right (Side Brooms)
56510813		Guard Kit-UHMW	56384564		Motor-42vdc-115rpm-0.4hp-Left (Side Brooms)
56511213		Guard-Edge Scrub	56384521		Sidebroom Motor Brush Kit (For 56384565 & 56384564)
		Filters	56510737		Motor Kit Drive
56510354		Filter rectangular synthetic	56511366		Motor Shaker
56508458		Oil filter cartridge LPG	56384183		Motor Broom
56510095		LPG Tank filter Assy	56511861		Motor Left Brush
56419086		Fuel Filter Cartridge Diesel	56510763		Brush Kit (For 56510291 & 56510292)
56482659		Oil filter cartridge Diesel	56511862		Motor Right Brush
56413194		Screen filter Recovery system	56509561		Motor Dust Control
56413195		Filter Recovery system	56509168		Motor Drive
56510581		Filter kit Solution	56510740		Motor Kit-Broom
56407162		Filter Solution	56422152		Brush Kit-Motor (for Broom Motor)
56482028		Filter Safety			Pumps
56482029		Filter Primary	56511864		Fuel Pump (Petrol/Gasoline/Diesel)
		Hopper System	56511834		Pump water, 36v M19 Ecoflex
56509146		FLAP & Seal-Hopper Door Bottom	56510888		Detergent Pump Kit
56511192		Dump Door Assy	56511549		Water Pump Assy LPG
56509399		Seal-Hopper	56509374		Hydraulic Pump/Reservoir Assy
		Recovery System	56110742		Pump-Chemical Metering (EcoFlex / Optional)
56510232		Gasket-Recovery Cover			Printed Circuit Boards
56509985		Hose-Squeegee	56511698		Controller-Traction Drive
56383261		Drain Hose Kit	56511588		User Interface Panel Assy
56510583		Float Ball Cage Kit	56511598		Controller-Steering
56510678		Gasket-Tank	56511615		Torque Feedback Device
		Wheel System			MISC
56509157		Wheel-Drive 310x140	56508456		Spark Plug
56383402		Wheel-Mold-On 16.2 X 4	56510629		Belt-Fan (Petrol / Gasoline Engine)
			56509442		Belt-3VX X 45.0
			56510185		Governor-Controller
			56510738		Lug Nut Kit
			56511577		Belt-Fan-34.75 Od (LEV Engine)
			56419087		Fan Belt (Diesel Engine)

BRUSH SELECTOR GUIDE

We provide brushes and pad holders that will give you the best possible performance between machine and floor. Following are descriptions of the materials and their applications.

- ProLite:** Bristles are made from light-duty polypropylene for general scrubbing when you do not want to scratch or remove finish from the floor. Recommended for use in place of red pads.
- Prolene:** Polypropylene material for medium-duty scrubbing on concrete, terrazzo and vinyl floor tile. Recommended for use in place of green or blue pads.
- Union Mix:** Medium grade natural fibers for polishing finished floors with standard-speed equipment. Recommended for use in place of white pads.
- AgLite Grit 500:** For light scrubbing when used wet; buffing or polishing when used dry on urethane coated, sealed concrete or other resilient hard surface floors. Recommended for use in place of red or white pads.
- MidGrit 240:** For general purpose scrubbing when you need a lighter action for sealed or unsealed concrete, stone, terrazzo, quarry tile and other resilient hard floor surfaces. Recommended for use in place of green or blue pads.
- MidLite Grit 180:** For general purpose scrubbing of sealed or unsealed concrete, stone, terrazzo, quarry tile and other resilient hard floor surfaces. Recommended for use in place of green or blue pads.
- Dyna Grit 80:** For aggressive, heavy-duty scrubbing or stripping of floors. Recommended for use in place of brown pads.
- Magna Grit 46:** For extreme heavy-duty scrubbing or stripping of floors. This brush has extra large diameter silicon carbide grit impregnated synthetic bristles. Recommended for use in place of black pads.
- Short Trim**
- Pad Holder:** Made with a structural foam block and center ring for correct pad centering. It has a "shower feed" design for getting solution to the floor.

BRUSHES

- 56505780 - Short Trim Pad Holder
- 56505195 - Pad Retainer for 56505800
- 56505785 - ProLite
- 56505784 - Prolene
- 56505786 - Union Mix
- 56505783 - AgLite Grit 500
- 56505787 - MidGrit 240
- 56505788 - MidLite Grit 180
- 56505782 - Dyna Grit 80
- 56505781 - Magna Grit 46

DISC BRUSH APPLICATION GUIDE (SUGGESTION ONLY)

	46	80	180	240	500			Union
Application	Grit	Grit	Grit	Grit	Grit	Prolene	Prolite	Mix
Stripping:								
Concrete	X	X						
Terrazzo	X	X						
Ceramic/Quarry tile		X						
Vinyl tile		X						
General Scrubbing:								
Concrete	X	X	X	X		X		
Terrazzo			X	X	X	X		
Ceramic/Quarry tile			X	X	X	X		
Marble					X		X	
Vinyl tile			X		X	X		
Raised-rubber tile					X		X	
Polishing:								
Raised Disc Tile								X
Marble								X
Vinyl tile								X

BROOM SELECTOR GUIDE

CYLINDRICAL BRUSH APPLICATION GUIDE (SUGGESTION ONLY)

Application	46 Grit	80 Grit	180 Grit	Polypropylene	Stiff Nylon	Soft Nylon
Stripping:						
Concrete	X	X				
Terrazzo	X	X				
Ceramic/Quarry tile		X				
Vinyl tile		X				
General Scrubbing:						
Concrete	X	X	X	X	X	
Terrazzo			X	X	X	X
Ceramic/Quarry tile			X	X	X	X
Marble			X		X	X
Vinyl tile			X	X	X	X
Raised-rubber tile			X			X

Main Broom: 33018858 Prolene & Wire (STD.) (6 Double Rows)

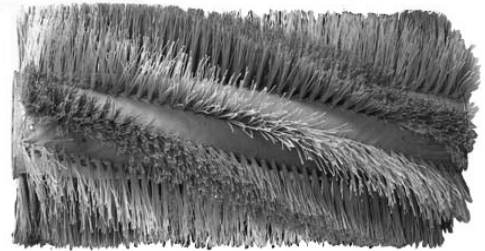
This broom has a more aggressive cleaning action, used to pick up heavier debris.

33018857 Prolene (Optional) (6 Double Rows)

A top quality synthetic fiber. This filament is made for a wide variety of applications. Retains its stiffness when wet and resists abrasive chemicals, solvents and oils. A general purpose material offering high performance for a wide range of applications.

33018856 Nylon (Optional) (6 Double Rows)

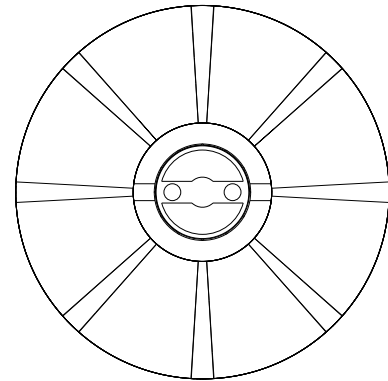
General purpose broom that can be used for all types of light soil. High wear material so uneven surfaces do not cause excessive wear. Nylon has a high heat deflection temperature, is chemical resistant and will absorb water in wet conditions. Truly a general purpose broom.



6 Double Row

Length..... 35.43" (90 cm)

Diameter.... 12.20" (31 cm)

**Side Broom: 56510707 Polypropylene (STD.)**

The side broom function is to sweep the dirt and debris away from the curb, wall, pallet, etc. into the path of the main broom.



Diameter 22" (56 cm)

SQUEEGEE BLADE SELECTOR GUIDE

Gum Rubber: Provides superior wiping action on tile, terrazzo, and polished floors.

Red Gum Rubber: Provides longest life on finished or unfinished concrete floors.

Polyurethane: Oil resistance provides superior life in applications with oily floors.

SQUEEGEE BLADE APPLICATION GUIDE(SUGGESTION ONLY)

Performance Traits	Gum Rubber (Natural Rubber)	Red Gum Rubber (Natural Rubber)	Polyurethane/ Pentathane
Tear Strength		X	X
Abrasion Resistance		X	X
Applications			
Oil Resistant Applications			X
Appearance	Tan	Red	Translucent



9435 Winnetka Ave North
Minneapolis, MN 55445
www.advance-us.com
Phone: 800-989-2235
Fax: 800-989-6566
©2017 Nilfisk, Inc.

