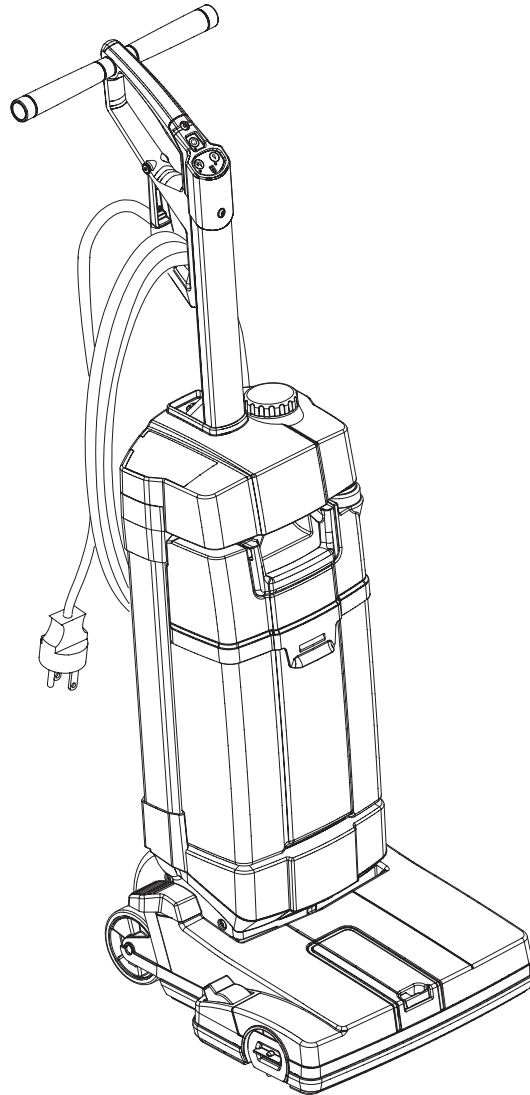


SC100



PARTS LIST

Model: 107408120 - 107408121

TABLE OF CONTENTS

| | |
|---|----|
| GENERAL VIEW | 2 |
| NOZZLE HEAD | 4 |
| BODY | 6 |
| RECOVERY TANK | 8 |
| SOLUTION TANK | 10 |
| HANDLE | 12 |
| WIRING DIAGRAM | 14 |
| RECOMMENDED PARTS - ACCESSORIES/OPTIONAL..... | 15 |

WHEN ORDERING PARTS

- Use the part numbers from the “REF. NO.” columns in this parts list. If the “REF. NO.” column is blank; look under the “KIT” column to identify which kit contains the part in question, then use the kit callout, for example “K1”, to find the “REF. NO.” for that kit.
- Specify the model and serial number of the machine.
- Use the space below to record the model and serial number for future reference.

Model

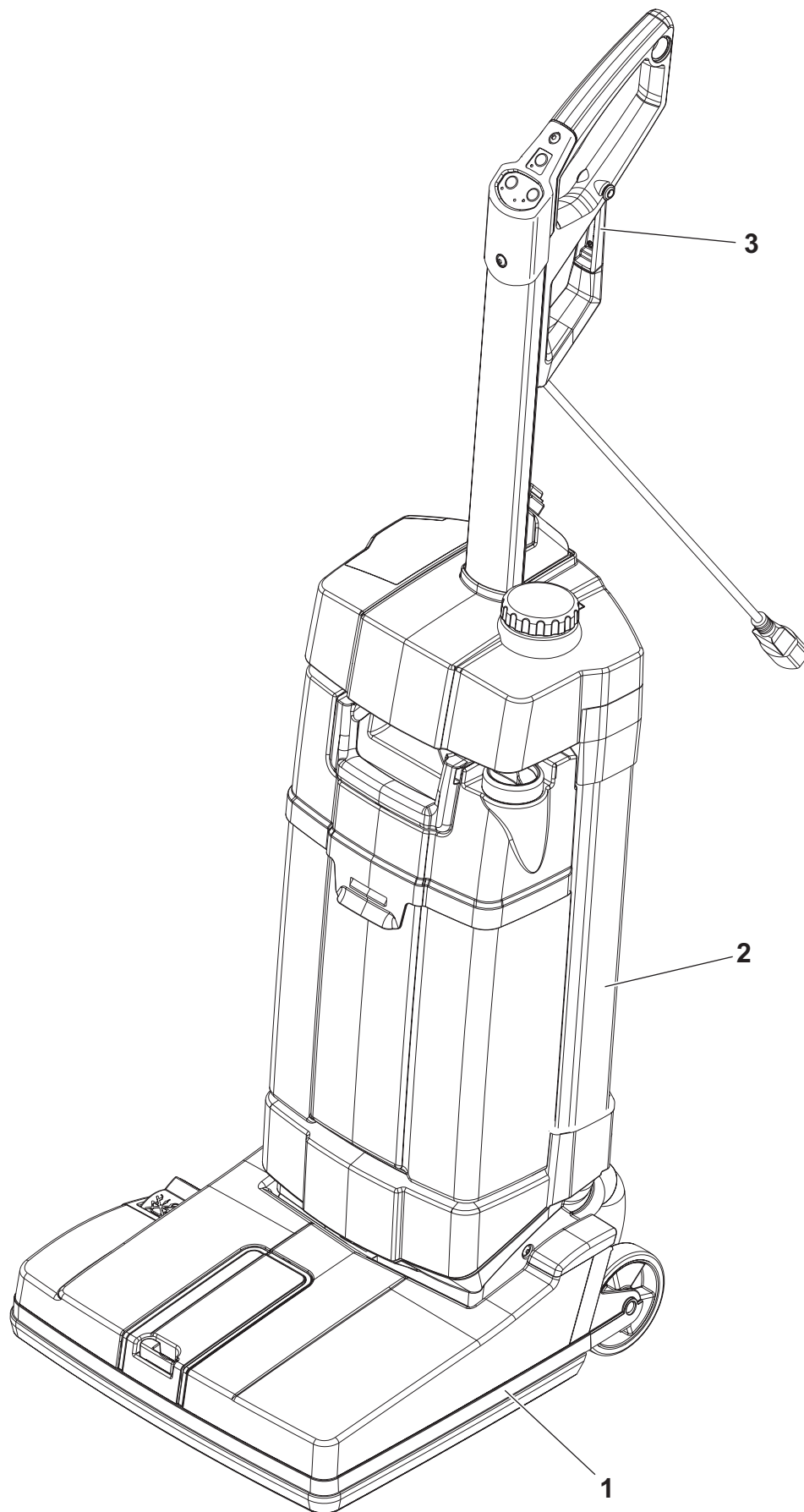
Serial No.

* = Optional

= Modified item No. or New item No.

[] = Not shown

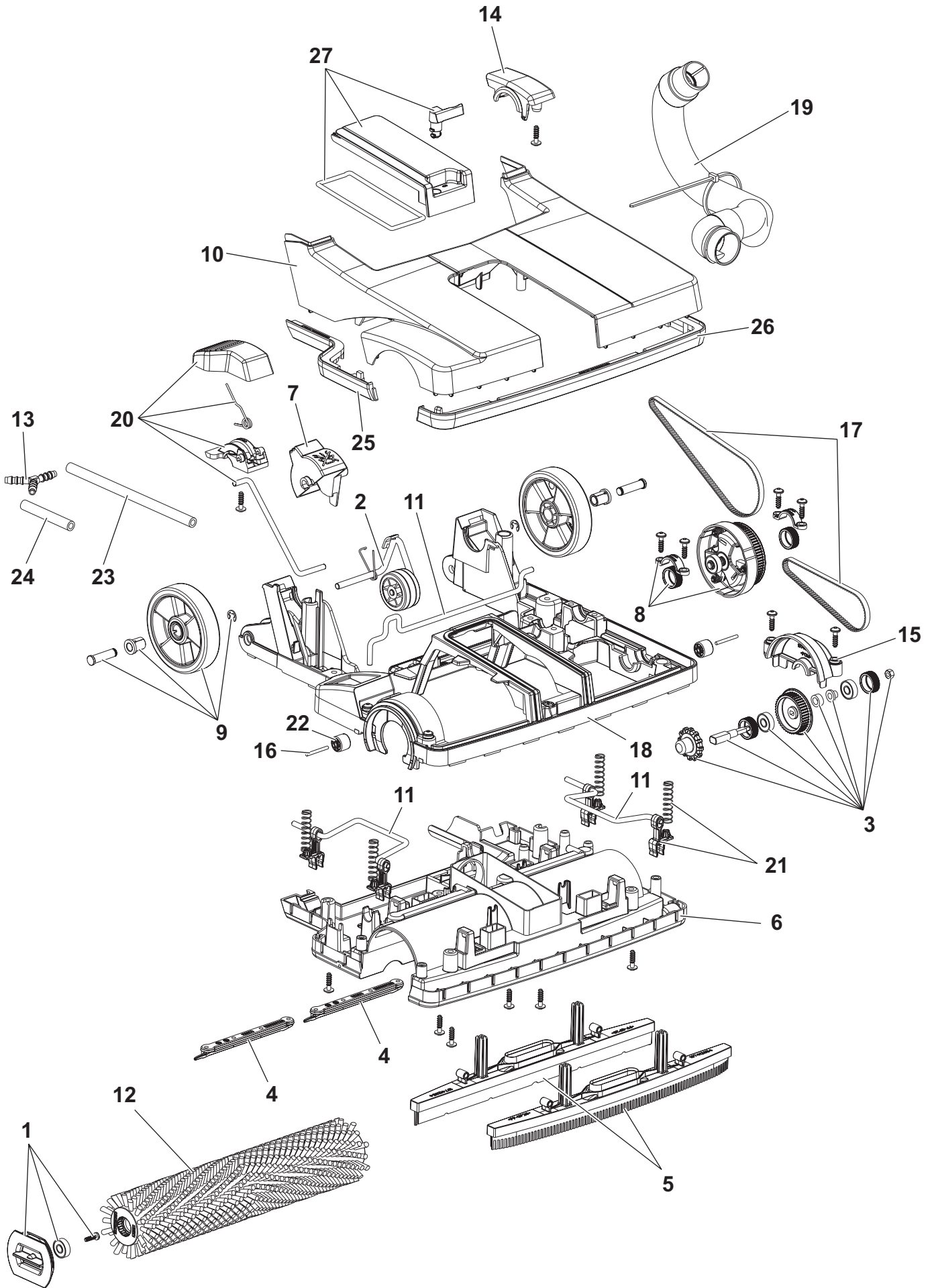
GENERAL VIEW



GENERAL VIEW

| KIT | ITEM | REF. NO. | QTY | DESCRIPTION |
|-----|------|-----------|-----|-------------------------|
| | 1 | | 1 | NOZZLE HEAD CPL |
| | 2 | | 1 | BODY CPL. NILFISK 230V |
| | 3 | | 1 | HANDLE CPL. NILFISK |
| | [4] | 107411864 | 1 | MANUAL SUCTION HOSE KIT |
| | [5] | 107411865 | 1 | CARPET COMPLETE KIT |
| | [6] | 107414568 | 1 | ACCESSORY BAG KIT |
| | [7] | 107416424 | 1 | DETACHABLE CORD 15M US |

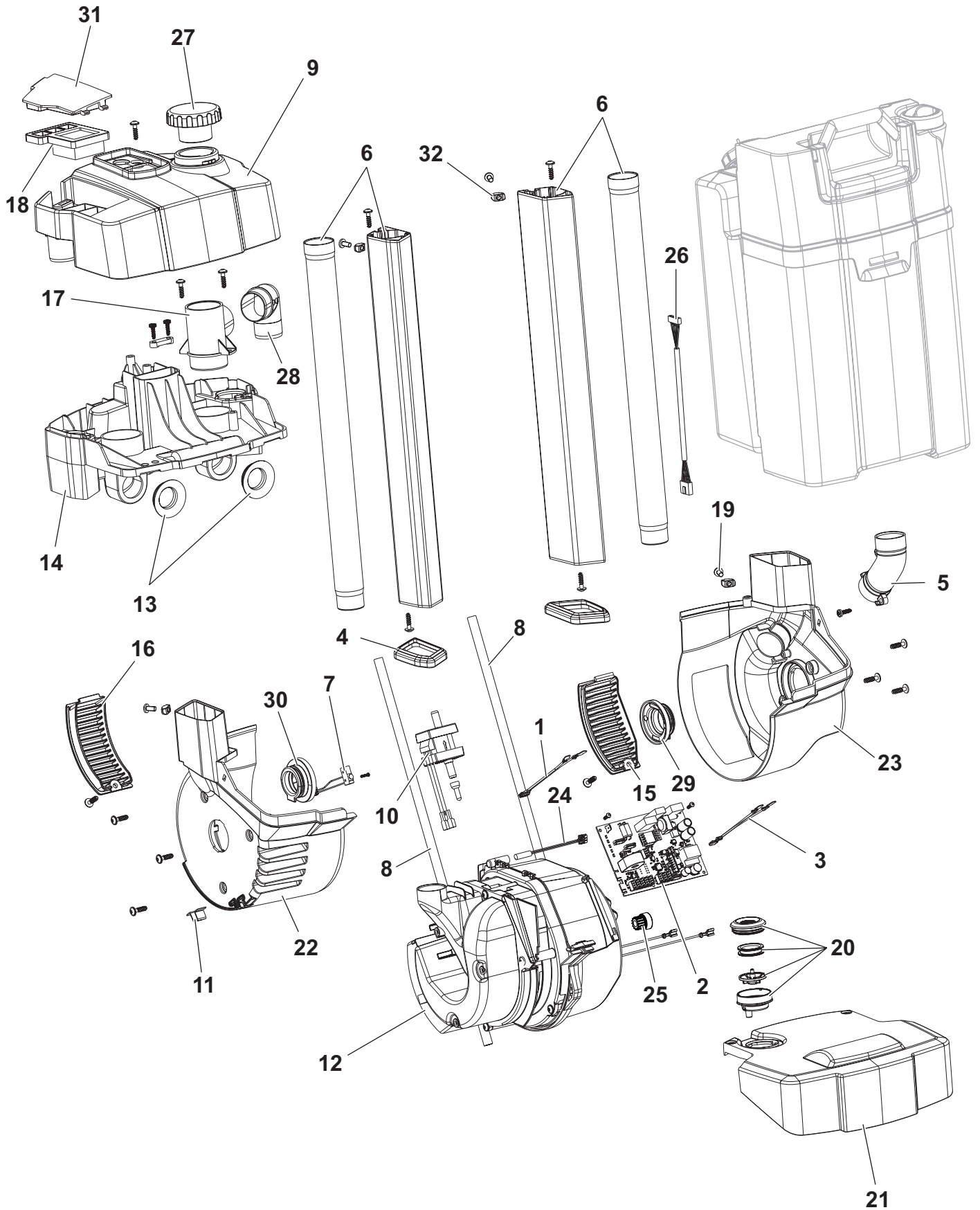
NOZZLE HEAD



NOZZLE HEAD

| KIT | ITEM | REF. NO. | QTY | DESCRIPTION |
|-----|-----------|------------------|----------|--|
| | 1 | 107413503 | 1 | KEY LOCK BRUSH JET BLACK |
| | 2 | 107413471 | 1 | AXLE HIGHT ADJUSTMENT ROLLER |
| | 3 | 107413495 | 1 | BRUSH MOUNTING |
| | 4 | 107413493 | 2 | DOSING BRIDGE |
| | 5 | 107411867 | 1 | SQUEEGEE 321MM 13 KIT |
| | 5 | 107411868 | 1 | SQUEEGEE 321MM 13 CARPET KIT |
| K1 | 6 | | 1 | NOZZLE HEAD CHASSIS |
| | 7 | 107413522 | 1 | SQUEEGEE PEDAL JET BLACK |
| | 8 | 107413487 | 1 | CLUTCH OVERLOAD CPL |
| | 9 | 107413515 | 1 | REAR WHEEL Ø90 WITH AXLE CPL. |
| K2 | 10 | | 1 | TOP COVER CHASSIS RAL 7001 |
| | 11 | 107413520 | 1 | SQUEEGEE LIFTER |
| | 12 | 107411860 | 1 | BRUSH CYL 310MM 12.5 MEDIUM PPL WHITE |
| | 12 | 107411861 | 1 | BRUSH CYL 310MM 12.5 HARD PPL BLACK |
| | 12 | 107411862 | 1 | BRUSH CYL 310MM 12.5 MICROFIBRE |
| | 12 | 107411863 | 1 | BRUSH CYL 310MM 12.5 CARPET |
| K2 | 13 | | 1 | Y-CONNECTOR FOR Ø6/Ø10 TUBE |
| | 14 | 107414818 | 1 | BEARING COVER LEFT JET BLACK |
| | 15 | 107413476 | 1 | BRUSH BEARING COVER |
| K1 | 16 | | 2 | AXLE FOR SUPPORT ROLLER |
| | 17 | 107413477 | 1 | BANDO BELT (BRUSH) |
| K1 | 18 | | 1 | FRAME FOR CHASSIS |
| | 19 | 107413478 | 1 | HOSE AIRCHANNEL |
| | 20 | 107413512 | 1 | PARKING PEDAL ORANGE |
| | 21 | 107413521 | 4 | SQUEEGEE LIFTER, BODY |
| K1 | 22 | | 2 | SUPPORT ROLLOR |
| K2 | 23 | | 1 | SILICONE HOSE 10X6 |
| K2 | 24 | | 1 | SILICONE HOSE 10X6 |
| K1 | 25 | | 1 | BUMPER RIGHT |
| K1 | 26 | | 1 | BUMPER, LEFT |
| | 27 | 107413488 | 1 | COVER FOR SQUEEGEE CHANNEL JET BLACK |
| | [K1] | 107413509 | 1 | NOZZLE HEAD |
| | [K2] | 107413525 | 1 | TOP COVER CHASSIS GREY |

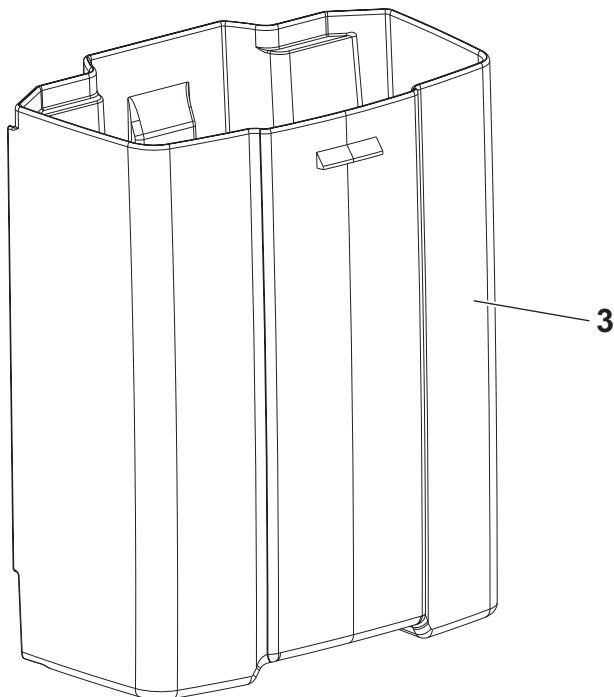
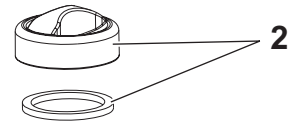
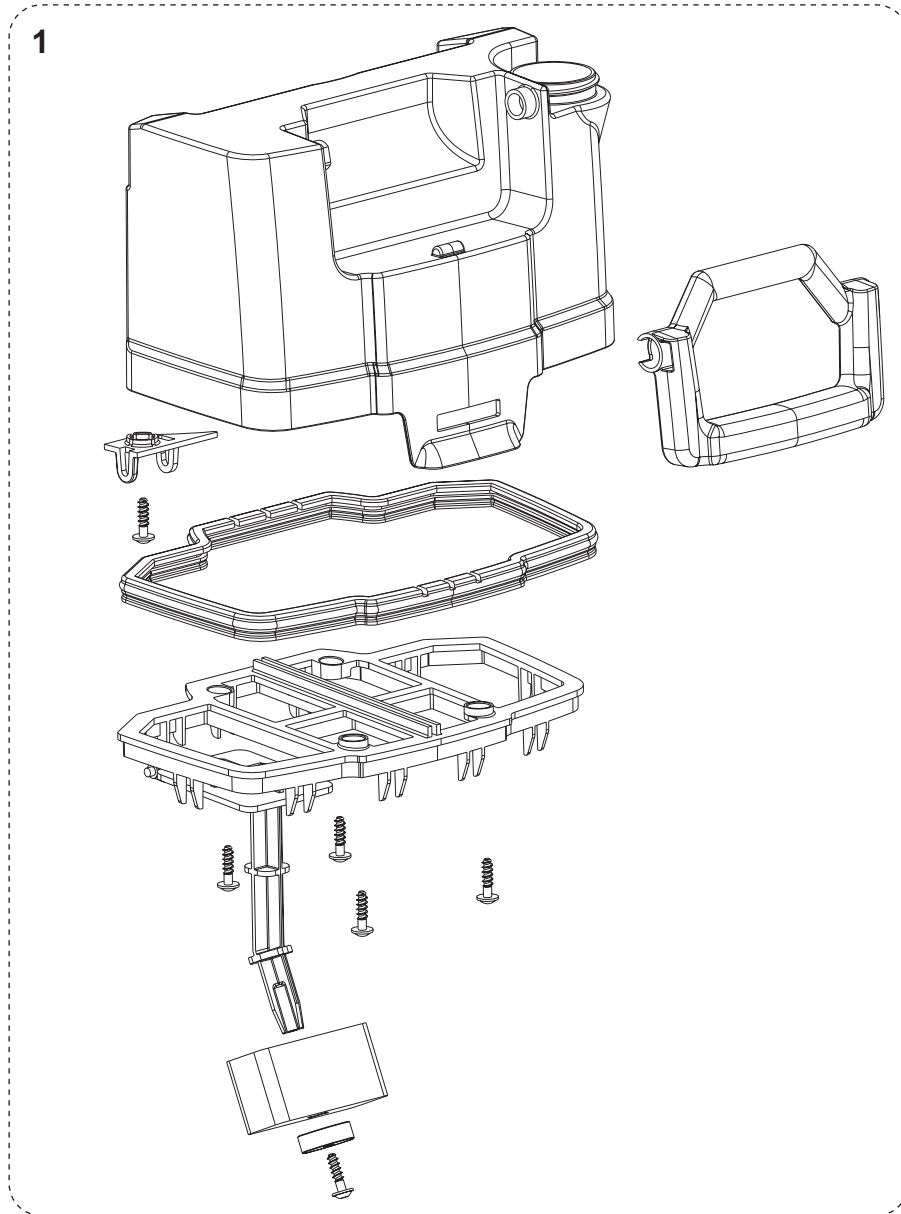
BODY



BODY

| KIT | ITEM | REF. NO. | QTY | DESCRIPTION |
|-----|------|-----------|-----|--------------------------------|
| | 1 | 107414819 | 1 | WIRE FOR PUMP |
| | 2 | 107413511 | 1 | PCBA DELTA UP 220-240V |
| | 3 | 107414814 | 1 | WIRE W. FASTONS |
| | 4 | 107414820 | 2 | SEALING F. PROFILE, LEFT RIGHT |
| K2 | 5 | 107413479 | 1 | BEND FOR SUCTION HOSE |
| | 6 | 107414816 | 2 | PROFIL ALUMINIUM WITH TUBES |
| | 7 | 107414815 | 1 | PARKING SWITCH |
| | 8 | 107413523 | 1 | SILICONE HOSE 10X6 |
| K3 | 9 | | 1 | TOPCOVER, NILFISK SC100 |
| | 10 | 107413492 | 1 | DOSING PUMP, NILFISK |
| K1 | 11 | | 1 | P-CLIP |
| | 12 | 107416434 | 1 | MOTOR HOUSING US |
| | 13 | 107413499 | 1 | GASKET IN/OUT |
| K3 | 14 | | 1 | FLOW BASE RAL 7016 |
| K2 | 15 | | 1 | LID FOR OUTLET, MOTOR |
| K1 | 16 | | 1 | LID FOR OUTLET, TURBINE |
| K3 | 17 | | 1 | ADAPTER TOP COVER |
| | 18 | 107413496 | 1 | FILTER |
| | 19 | 107413508 | 1 | M5X10 BOLT |
| | 20 | 107413497 | 1 | SOLUTION FILTER |
| | 21 | 107416439 | 1 | TOP COVER BASE ADVANCE |
| K1 | 22 | | 1 | BODY RIGHT RAL 7016 |
| K2 | 23 | | 1 | BODY LEFT RAL 7016 |
| | 24 | 107413533 | 1 | WIRE W. JST3POL |
| | 25 | 107413535 | 1 | COG WHEEL M3 14 T |
| | 26 | 107413481 | 1 | CABLE F. USER-INTERFACE |
| | 27 | 107413486 | 1 | CAP FOR SPOT CLEANING BLACK |
| K3 | 28 | | 1 | ADAPTER TUBE 90° |
| K2 | 29 | | 1 | POM BEARING LEFT |
| K1 | 30 | | 1 | POM BEARING RIGHT |
| | 31 | 107413504 | 1 | LID FOR FILTER GREY |
| | 32 | 107413529 | 1 | T-NUT, M5 |
| | [K1] | 107416425 | 1 | BODY RIGHT RAL 7016 |
| | [K2] | 107416426 | 1 | BODY LEFT RAL 7016 |
| | [K3] | 107416431 | 1 | FLOW BASE RAL 7016 US |

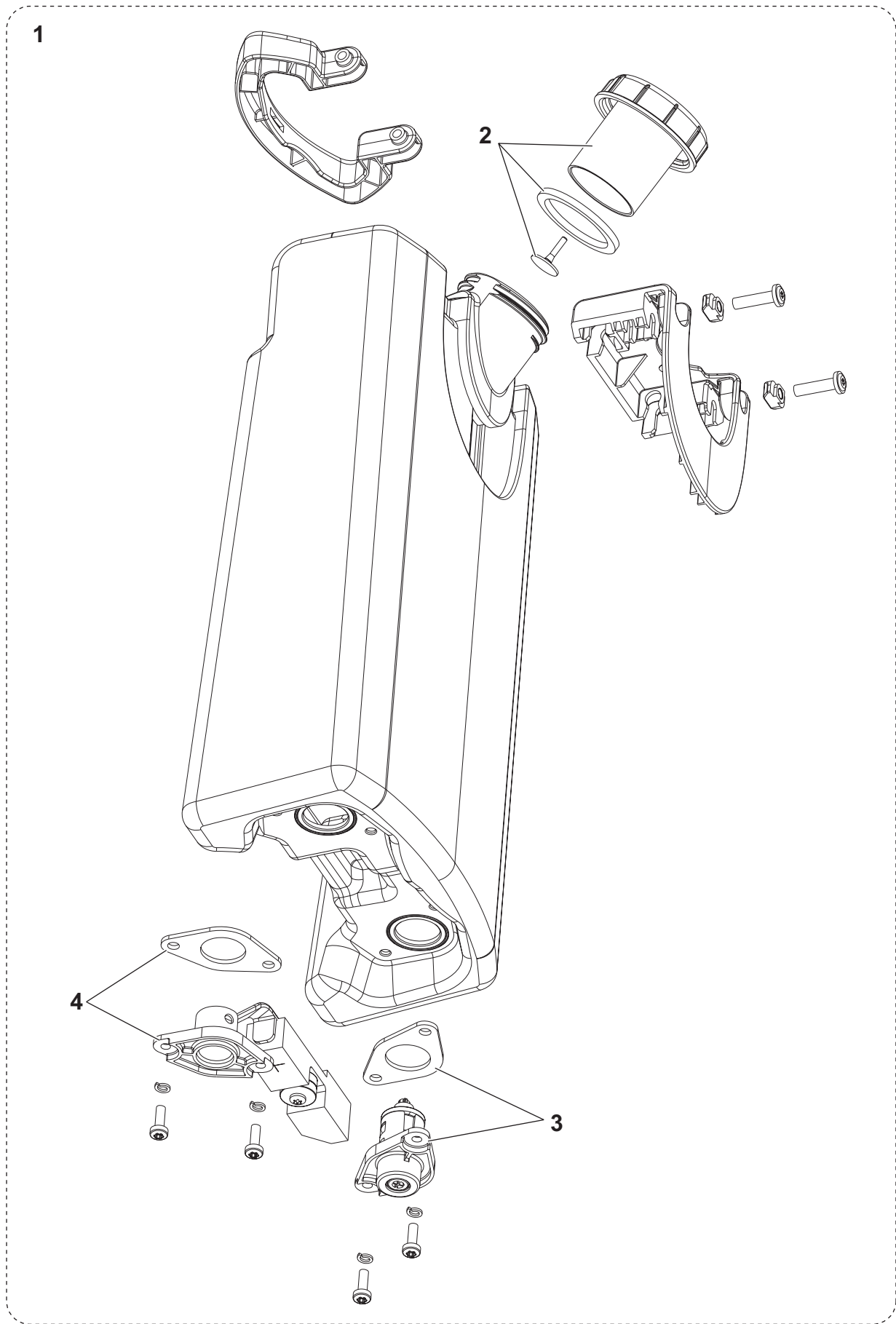
RECOVERY TANK



RECOVERY TANK

| KIT | ITEM | REF. NO. | QTY | DESCRIPTION |
|-----|------|-----------|-----|------------------------|
| | 1 | 107413527 | 1 | TOP RECOVERY TANK GREY |
| | 2 | 107413484 | 1 | CAP FOR RECOVERY TANK |
| | 3 | 107413513 | 1 | RECOVERY TANK GREY |

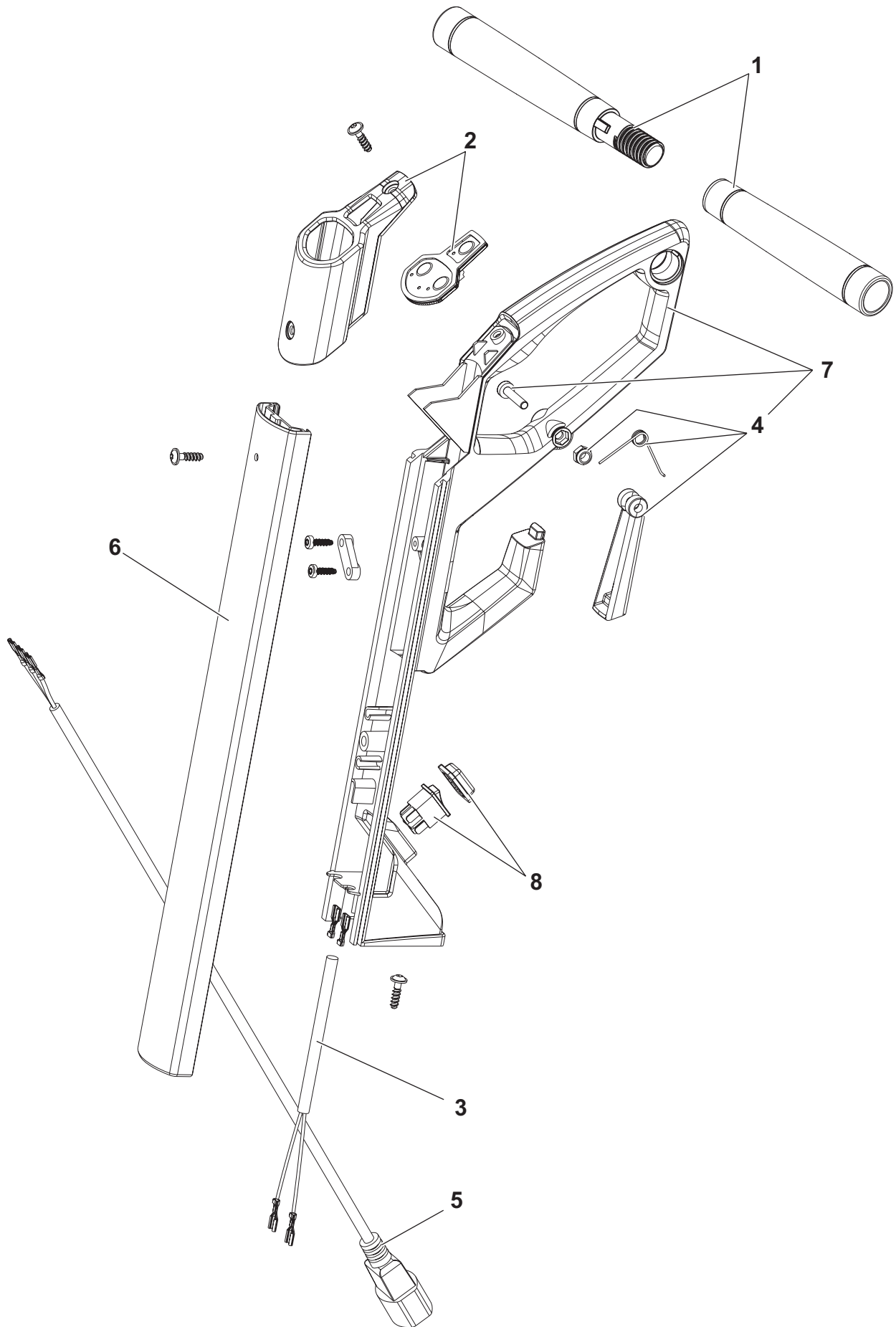
SOLUTION TANK



SOLUTION TANK

| KIT | ITEM | REF. NO. | QTY | DESCRIPTION |
|-----|------|-----------|-----|------------------------------|
| | 1 | 107413519 | 1 | SOLUTION TANK NATURAL |
| | 2 | 107413485 | 1 | CAP SOLUTION TANK JET BLACK |
| | 3 | 107413532 | 1 | VALVE FOR SOLUTION TANK CPL. |
| | 4 | 107413506 | 1 | LEVEL INDICATION |

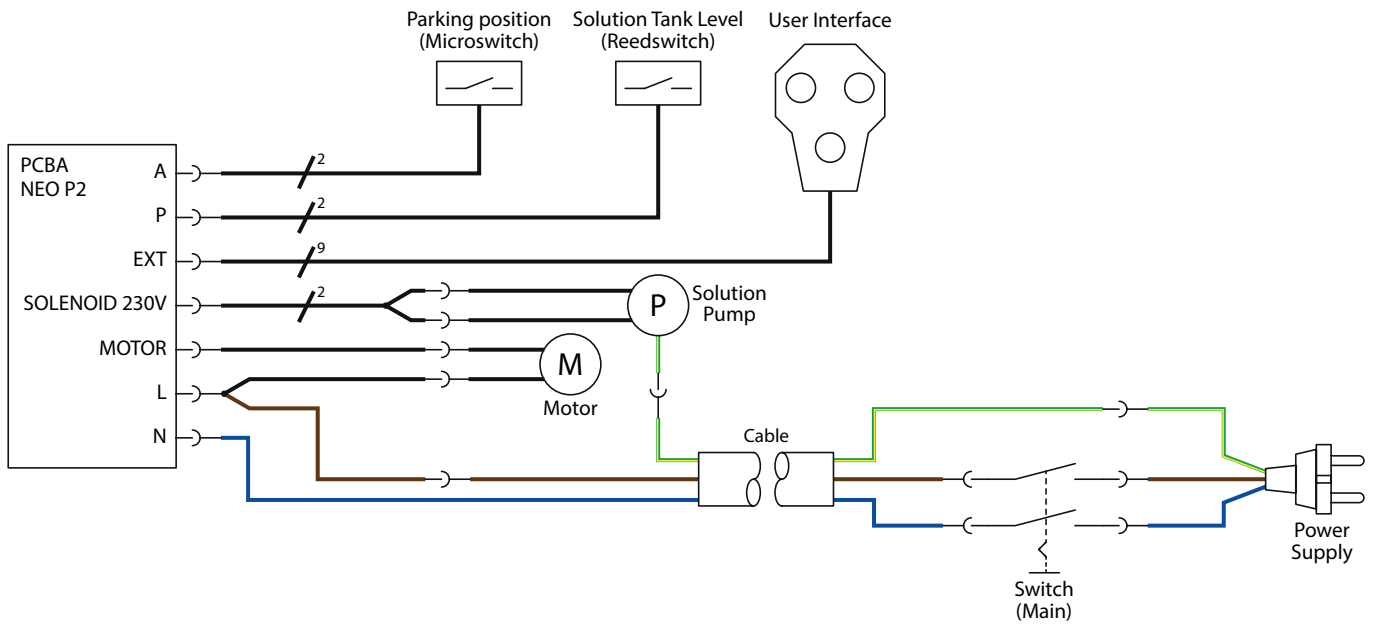
HANDLE



HANDLE

| KIT | ITEM | REF. NO. | QTY | DESCRIPTION |
|-----|------|-----------|-----|--------------------------------|
| | 1 | 107413470 | 1 | 2-HAND HANDLE |
| | 2 | 107416435 | 1 | NILFISK USER INTERFACE |
| | 3 | 107416438 | 1 | WIRE, MAIN SWITCH US |
| | 4 | 107413480 | 1 | CARABINA AND SPRING FOR HANDLE |
| | 5 | 107416427 | 1 | DETACHABLE CORD MALE PLUG US |
| | 6 | 107413472 | 1 | ALUMINUM TUBE (HANDRAIL) |
| | 7 | 107416433 | 1 | HANDLE SCRUBBER ADVANCE |
| | 8 | 107413516 | 1 | SWITCH, MAIN |

WIRING DIAGRAM



RECOMMENDED PARTS

| REF. NO. | QTY | DESCRIPTION |
|----------------------------------|-----|---------------------------------------|
| NORMAL WEAR | | |
| 107411867 | 1 | SQUEEGEE 321MM 13 KIT |
| 107411860 | 1 | BRUSH CYL 310MM 12.5 MEDIUM PPL WHITE |
| ORDINARY MAINTENANCE | | |
| 107413503 | 1 | KEY LOCK BRUSH JET BLACK |
| 107413471 | 1 | AXLE HIGHT ADJUSTMENT ROLLER |
| 107413515 | 1 | REAR WHEEL Ø90 WITH AXLE CPL. |
| 107413477 | 1 | BANDO BELT (BRUSH) |
| 107413478 | 1 | HOSE, AIRCHANNEL |
| 107416434 | 1 | MOTOR HOUSING US |
| 107413496 | 1 | FILTER |
| 107416427 | 1 | DETACHABLE CORD MALE PLUG US |
| 107413532 | 1 | VALVE FOR SOLUTION TANK CPL. |
| EXTRAORDINARY MAINTENANCE | | |
| 107413493 | 2 | DOSING BRIDGE |
| 107413509 | 1 | NOZZLE HEAD |
| 107413525 | 1 | TOP COVER CHASSIS GREY |
| 107413487 | 1 | CLUTCH OVERLOAD CPL |
| 107413488 | 1 | COVER FOR SQUEEGEE CHANNEL JET BLACK |
| 107413511 | 1 | PCBA DELTA UP 220-240V |
| 107413535 | 1 | COG WHEEL M3 14 T |
| 107413504 | 1 | LID FOR FILTER GREY |
| 107416426 | 1 | BODY LEFT RAL 7016 |
| 107416425 | 1 | BODY RIGHT RAL 7016 |
| 107413492 | 1 | DOSING PUMP, NILFISK |
| 107413499 | 1 | GASKET IN/OUT |
| 107413497 | 1 | SOLUTION FILTER |
| 107413486 | 1 | CAP FOR SPOT CLEANING BLACK |
| 107413525 | 1 | TOP COVER CHASSIS GREY |
| 107413484 | 1 | CAP FOR RECOVERY TANK |
| 107413513 | 1 | RECOVERY TANK GREY |
| 107413527 | 1 | TOP RECOVERY TANK GREY |
| 107416433 | 1 | HANDLE SCRUBBER ADVANCE |
| 107416435 | 1 | NILFISK USER INTERFACE |
| 107413519 | 1 | SOLUTION TANK NATURAL |

ACCESSORIES/ OPTIONAL

| REF. NO. | QTY | DESCRIPTION |
|-----------|-----|---------------------------------------|
| 107411864 | 1 | MANUAL SUCTION HOSE KIT |
| 107411865 | 1 | CARPET COMPLETE KIT |
| 107414568 | 1 | ACCESSORY BAG KIT |
| 107416424 | 1 | DETACHABLE CORD 15M US |
| 107411867 | 1 | SQUEEGEE 321MM 13 KIT |
| 107411868 | 1 | SQUEEGEE 321MM 13 CARPET KIT |
| 107411860 | 1 | BRUSH CYL 310MM 12.5 MEDIUM PPL WHITE |
| 107411861 | 1 | BRUSH CYL 310MM 12.5 HARD PPL BLACK |
| 107411862 | 1 | BRUSH CYL 310MM 12.5 MICROFIBRE |
| 107411863 | 1 | BRUSH CYL 310MM 12.5 CARPET |
| 107413489 | 1 | DETACHABLE CORD MALE PLUG |



9435 Winnetka Avenue North
Brookly Park, MN 55445
www.advance-us.com
Phone: 800-989-2235
Fax: 800-989-6566
©2015 Nilfisk, Inc.