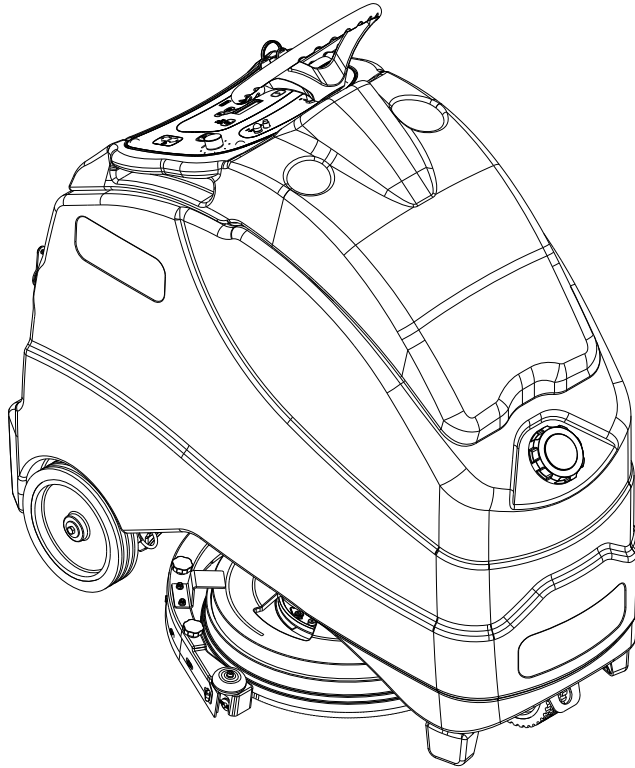
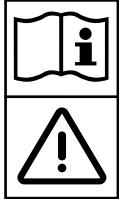


# SC1500

---



---

**Instructions For Use - Original Instructions**

**Instrucciones de uso**

**Mode d'emploi**

**Model: 56104000 (X20D), 56104001 (X20R)**

A-English  
B-Español  
C-Français



**TABLE OF CONTENTS**

	<b>Page</b>
Introduction.....	A-3
Cautions and Warnings.....	A-4 - A-5
Know Your Machine.....	A-6 - A-7
Control Panel.....	A-8 - A-9
<b>Prepare the Machine for Use</b>	
Install the Batteries.....	A-10
Install the Brush (disc).....	A-11
Install the Pad (REV).....	A-12
Install the Squeegee.....	A-13
Fill the Solution Tank.....	A-13
Detergent System.....	A-14 - A-15
<b>Operating the Machine</b>	
Scrubbing.....	A-16 - A-17
After Use.....	A-18
Maintenance Schedule.....	A-18
Lubricating the Machine.....	A-19
Electromagnetic Brake.....	A-19
Charging the Batteries (Wet).....	A-20
Check the Battery Water Level.....	A-20
Charging the Batteries (Gel).....	A-21
Squeegee Maintenance.....	A-22
Squeegee Adjustment.....	A-22
Troubleshooting.....	A-23
Technical Specifications.....	A-24

## INTRODUCTION

This manual will help you get the most from your Advance Scrubber. Read it thoroughly before operating the machine.

**Note: Bold numbers in parentheses indicate an item illustrated on pages A-6 – A-9.**

This machine is only suitable for commercial use, for example in hotels, schools, hospitals, factories, shops, offices and rental businesses. The SC1500 is a battery powered floor cleaning machine.

## PARTS AND SERVICE

Repairs, when required, should be performed by your Authorized Advance Service Center, who employs factory trained service personnel, and maintains an inventory of Advance original replacement parts and accessories.

Call the ADVANCE DEALER named below for repair parts or service. Please specify the Model and Serial Number when discussing your machine.

## MODIFICATIONS

Modifications and additions to the cleaning machine which affect capacity and safe operation shall not be performed by the customer or user without prior written approval from Nilfisk-Advance Inc. Unapproved modifications will void the machine warranty and make the customer liable for any resulting accidents.

## NAME PLATE

The Model Number and Serial Number of your machine are shown on the Nameplate on the machine. This information is needed when ordering repair parts for the machine. Use the space below to note the Model Number and Serial Number of your machine for future reference.

MODEL NUMBER \_\_\_\_\_

SERIAL NUMBER \_\_\_\_\_

## UNCRATE THE MACHINE

When the machine is delivered, carefully inspect the shipping packaging and the machine for damage. If damage is evident, save the shipping carton (if applicable) so that it can be inspected. Contact the Advance Customer Service Department immediately to file a freight damage claim. Refer to the unpacking instruction sheet included with the machine to remove the machine from the pallet.

## TRANSPORTING THE MACHINE

### CAUTION!

Before transporting the machine on an open truck or trailer, make sure that . . .

- All tanks are empty.
- Recovery tank cover is latched securely.
- The machine is tied down securely - see Tie Down Locations (6) in *Know Your Machine*.
- The machine's electromagnetic brake is engaged (not manually overridden).

### WARNING!

The Products sold with this Manual contain or may contain chemicals that are known to certain governments (such as the State of California, as identified in its Proposition 65 Regulatory Warning Law) to cause cancer, birth defects or other reproductive harm. In certain locations (including the State of California) purchasers of these Products that place them in service at an employment job site or a publicly accessible space are required by regulation to make certain notices, warnings or disclosures regarding the chemicals that are or may be contained in the Products at or about such work sites. It is the purchaser's responsibility to know the content of, and to comply with, any laws and regulations relating to the use of these Products in such environments. The Manufacturer disclaims any responsibility to advise purchasers of any specific requirements that may be applicable to the use of the Products in such environments.

## CAUTIONS AND WARNINGS

### SYMBOLS

Advance uses the symbols below to signal potentially dangerous conditions. Always read this information carefully and take the necessary steps to protect personnel and property.

#### **DANGER!**

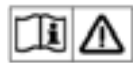
Is used to warn of immediate hazards that will cause severe personal injury or death.

#### **WARNING!**

Is used to call attention to a situation that could cause severe personal injury.

#### **CAUTION!**

Is used to call attention to a situation that could cause minor personal injury or damage to the machine or other property.



Read all instructions before using.

## GENERAL SAFETY INSTRUCTIONS

Specific Cautions and Warnings are included to warn you of potential danger of machine damage or bodily harm.

This machine is for commercial use, for example in hotels, schools, hospitals, factories, shops and offices other than normal residential housekeeping purposes.

#### **WARNING!**

- This machine shall be used only by properly trained and authorized persons.
- This machine is not intended for use by persons (including children) with reduced physical, sensory or mental capabilities, or lack of experience and knowledge.
- While on ramps or inclines, avoid sudden stops. Avoid abrupt sharp turns. Use low speed down ramps.
- Observe the Gross Vehicle Weight, GVW, of the machine when loading, driving, lifting or supporting the machine.
- Keep sparks, flame and smoking materials away from batteries. Explosive gases are vented during normal operation.
- Charging the batteries produces highly explosive hydrogen gas. Charge batteries only in well-ventilated areas, away from open flame. Do not smoke while charging the batteries.
- Remove all jewelry when working near electrical components.
- Turn the key switch off (O) and disconnect the batteries before servicing electrical components.
- Never work under a machine without safety blocks or stands to support the machine.
- Do not dispense flammable cleaning agents, operate the machine on or near these agents, or operate in areas where flammable liquids exist.
- Do not clean this machine with a pressure washer.
- Only use the brushes provided with the appliance or those specified in the instruction manual. The use of other brushes may impair safety.

## CAUTIONS AND WARNINGS - CONTINUED



### CAUTION!

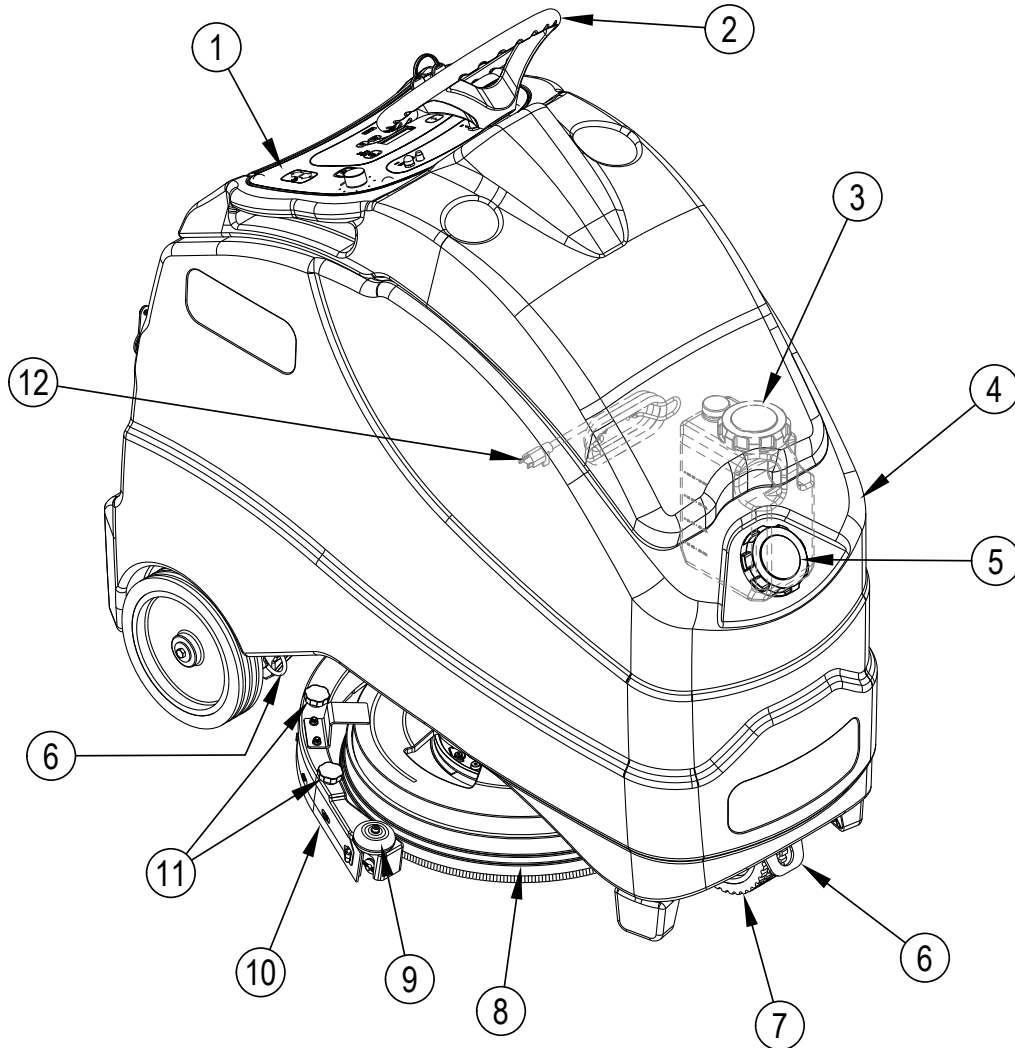
- This machine is not approved for use on public paths or roads.
- This machine is not suitable for picking up hazardous dust.
- Do not use scarifier discs and grinding stones. Advance will not be held responsible for any damage to floor surfaces caused by scarifiers or grinding stones (can also cause damage to the brush drive system).
- When operating this machine, ensure that third parties, particularly children, are not endangered.
- Before performing any service function, carefully read all instructions pertaining to that function.
- Do not leave the machine unattended without first turning the key switch off (O), removing the key and applying the parking brake.
- Turn the key switch off (O) and remove the key, before changing the brushes, and before opening any access panels.
- Take precautions to prevent hair, jewelry, or loose clothing from becoming caught in moving parts.
- Use caution when moving this machine in below freezing temperature conditions. Any water in the solution, recovery or detergent tanks or in the hose lines could freeze, causing damage to valves and fittings. Flush with windshield washer fluid.
- The batteries must be removed from the machine before the machine is scrapped. The disposal of the batteries should be safely done in accordance with your local environmental regulations.
- Do not use on surfaces having a gradient exceeding that marked on the machine.
- All doors and covers are to be positioned as indicated in the instruction manual before using the machine.
- This machine should only be used and stored indoors.

**SAVE THESE INSTRUCTIONS**

## KNOW YOUR MACHINE

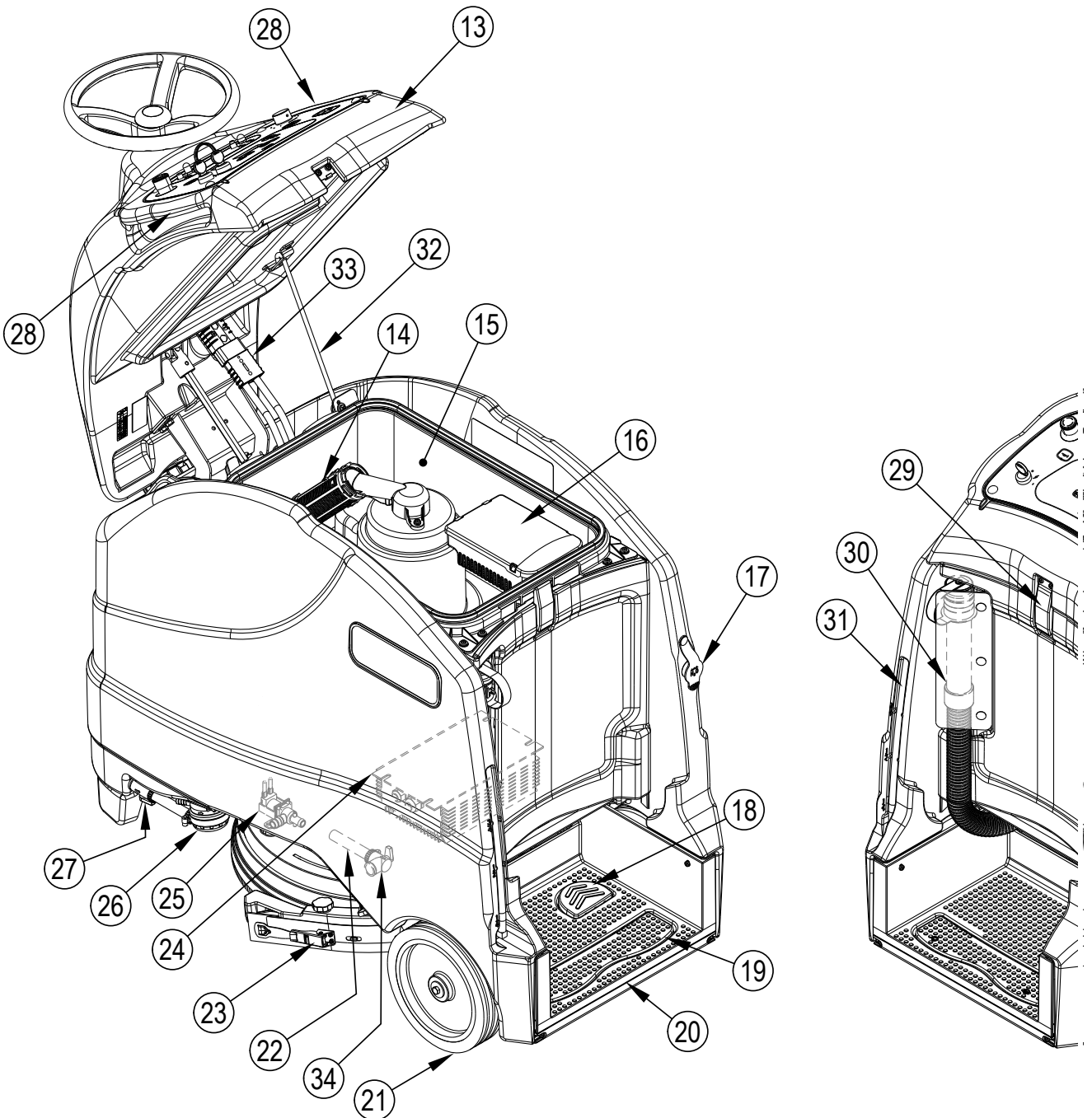
As you read this manual, you will occasionally run across a bold number or letter in parentheses - example: **(2)**. These numbers refer to an item shown on these pages unless otherwise noted. Refer back to these pages whenever necessary to pinpoint the location of an item mentioned in the text. **NOTE:** Refer to the service manual for detailed explanations of each item illustrated on the next 4 pages.

- 1 Control Panel
- 2 Steering Wheel
- 3 Detergent Cartridge
- 4 Solution Tank
- 5 Solution Tank Fill Cap
- 6 Tie Down Locations
- 7 Drive Wheel
- 8 Scrub Deck
- 9 Squeegee Roller
- 10 Squeegee Assembly
- 11 Squeegee Cover Knobs (4)
- 12 On-Board Charger Power Cord



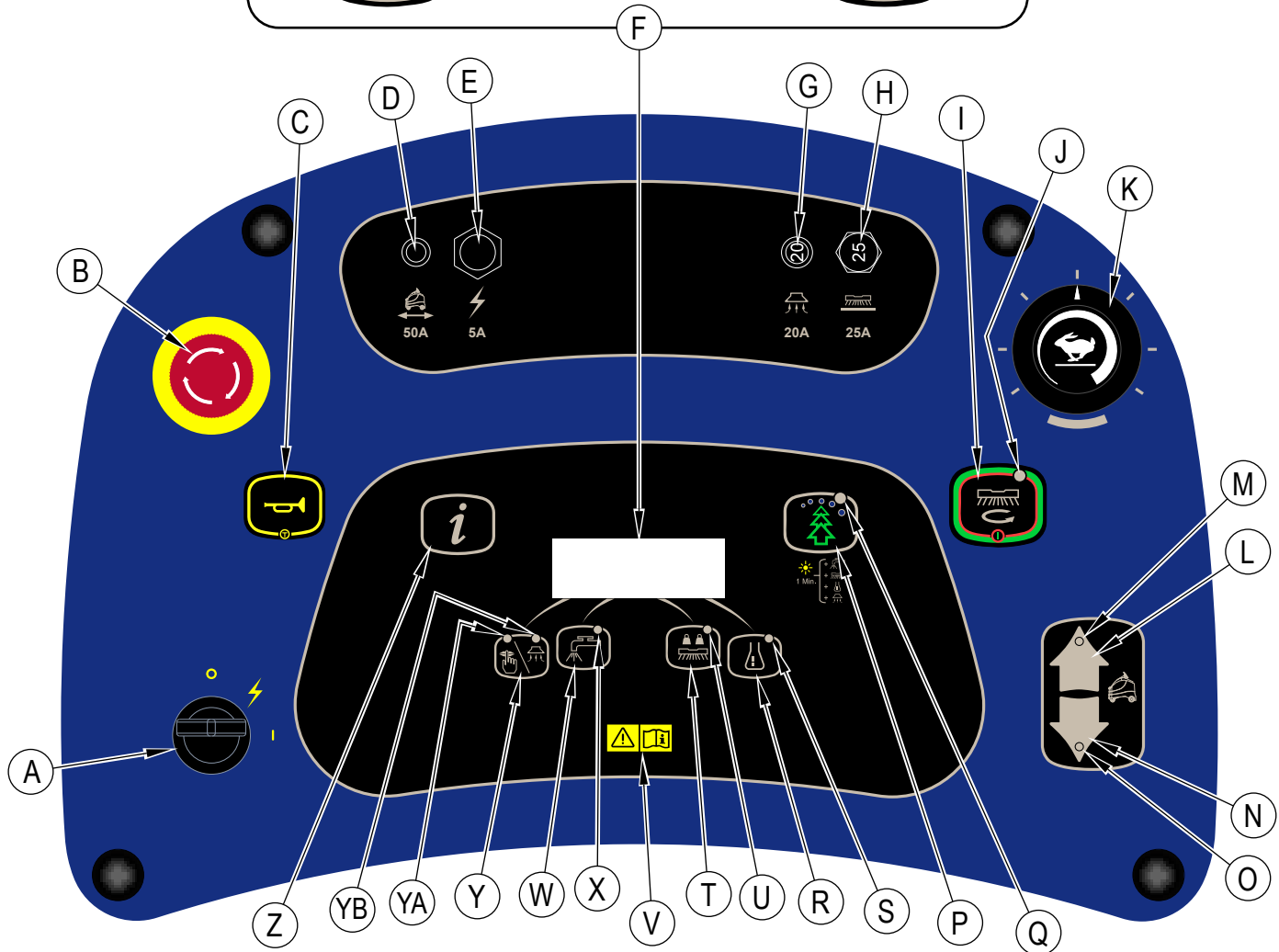
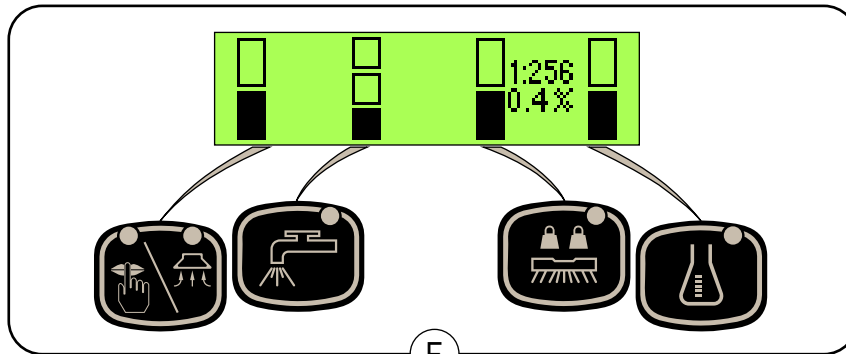
## KNOW YOUR MACHINE

- |    |   |    |                                |
|----|---|----|--------------------------------|
| 13 | Control Panel Housing / Recovery Tank Cover | 24 | Battery Charger                |
| 14 | Automatic Vacuum Motor Shutoff Float        | 25 | Solution Solenoid Valve        |
| 15 | Recovery Tank                               | 26 | Solution Filter                |
| 16 | Debris Catch Tray                           | 27 | Solution Shutoff Valve         |
| 17 | Solution Tank Rear Fill Port                | 28 | Hand Holds                     |
| 18 | Go Pedal                                    | 29 | Latch                          |
| 19 | Operator Presence Pedal                     | 30 | Recovery Tank Drain Hose       |
| 20 | Platform                                    | 31 | Solution Tank Level Sight Tube |
| 21 | Rear Wheel                                  | 32 | Prop Rod                       |
| 22 | Solution Tank Drain Hose                    | 33 | Battery Connector (optional)   |
| 23 | Rear Squeegee Blade Removal Latch           | 34 | Solution Drain Valve           |



### CONTROL PANEL

- |   |   |    |   |
|---|---|----|---|
| A | Key Switch                                    | P  | Burst of Power Switch                     |
| B | Emergency Stop                                | Q  | Burst of Power Indicator                  |
| C | Horn Switch                                   | R  | Detergent Strength Switch                 |
| D | Drive Wheel Circuit Breaker (50 Amp)          | S  | Detergent ON/OFF Indicator                |
| E | Control Circuit Circuit Breaker (5 Amp)       | T  | Extra Pressure Switch                     |
| F | Graphic Display (see Control Panel-Continued) | U  | Extra Pressure Indicator                  |
| G | Vacuum Motor Circuit Breaker (20 Amp)         | V  | Read All Instructions Before Using Symbol |
| H | Brush Motor Circuit Breaker (25 Amp)          | W  | Solution Flow Adjustment Switch           |
| I | One-Touch™ Scrub ON/OFF Switch                | X  | Solution ON/OFF Indicator                 |
| J | Scrub ON/OFF Indicator                        | Y  | Vacuum Power Adjustment Switch            |
| K | Speed Adjustment Knob                         | YA | Quiet Vacuum Mode Indicator               |
| L | Forward Drive Switch                          | YB | Standard Vacuum Mode Indicator            |
| M | Forward Drive Indicator                       | Z  | Information Switch                        |
| N | Reverse Drive Switch                          |    |   |
| O | Reverse Drive Indicator                       |    |   |





### CONTROL PANEL - CONTINUED

- 1 Scrubbing Screen
- 2 Information Screen
- 3 Battery Low Voltage Screen
- 4 Battery Charger Screen

**F Graphic Display**

**F1 Vacuum Level Bar Graph**  
 TOP = High  
 BOTTOM = Low  
 NONE = Off

**F2 Solution Flow Rate Bar Graph**  
 TOP = High  
 MIDDLE = Medium  
 BOTTOM = Low  
 NONE = Off

**F3 Scrub Brush Pressure Bar Graph**  
 TOP = Extra Pressure  
 BOTTOM = Standard Pressure

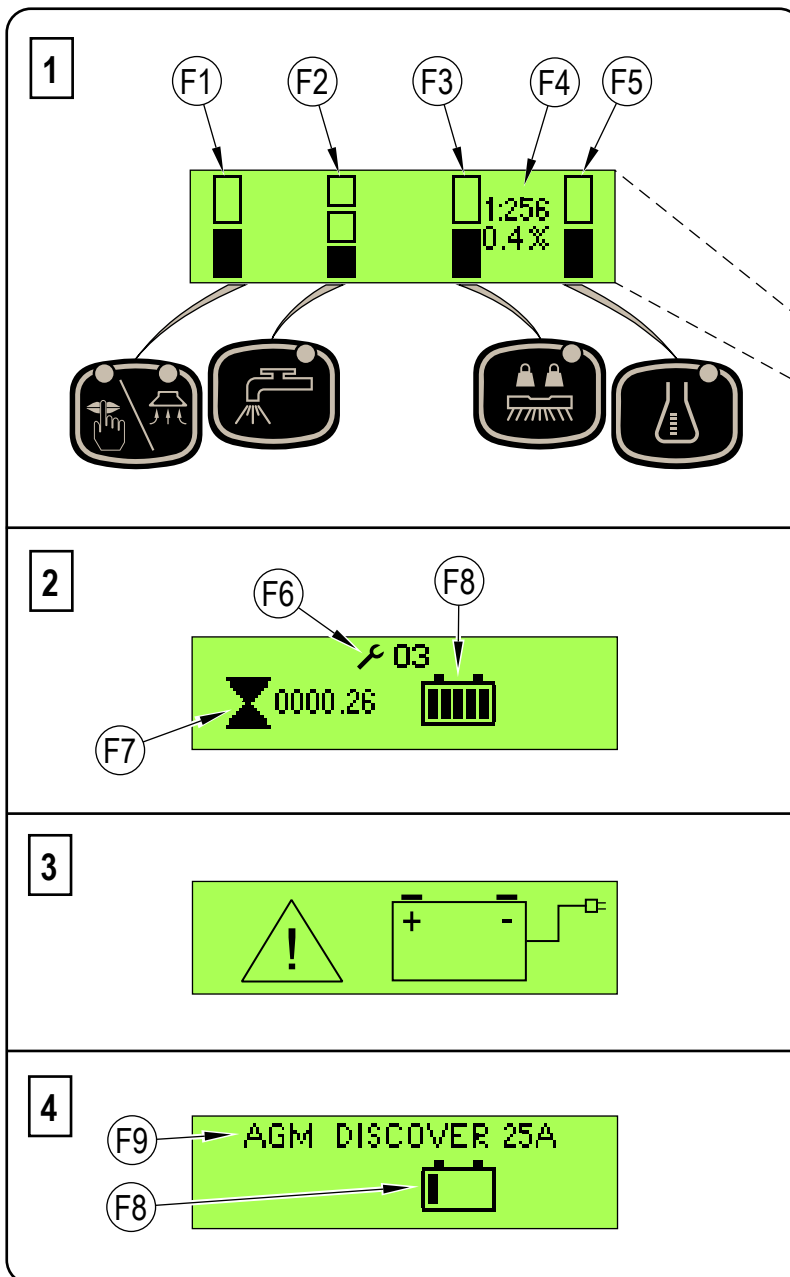
**F4 Detergent Ratio/Percentage Indicator**  
**F5 Detergent Indicator Bar Graph**  
 TOP = Strong Detergent  
 BOTTOM = Weak Detergent  
 NONE = Off

**F6 Fault Codes**

**F7 Hour Meter**

**F8 Battery Charge Level Indicator**

**F9 Battery Type**



## BATTERIES

If your machine shipped with batteries installed do the following:

- Check that the batteries are connected to the machine.
- Turn ON the Key Switch (A) and check the Battery Indicator (F8). If the gauge is completely filled the batteries are ready for use. If the gauge is less than full the batteries should be charged before use. See the "Charging The Batteries" section.
- **IMPORTANT!** IF YOUR MACHINE HAS AN ONBOARD BATTERY CHARGER REFER TO THE OEM PRODUCT MANUAL FOR INSTRUCTIONS REGARDING SETTING THE CHARGER FOR BATTERY TYPE.

If your machine shipped without batteries installed do the following:

- Consult your Authorized Advance dealer for recommended batteries.
- Install the batteries by following the instructions below.
- **DO NOT install two 12 volt batteries in your machine. This affects the stability of the machine.**
- **IMPORTANT!** IF YOUR MACHINE HAS AN ONBOARD BATTERY CHARGER REFER TO THE OEM PRODUCT MANUAL FOR INSTRUCTIONS REGARDING SETTING THE CHARGER FOR BATTERY TYPE.

## INSTALL THE BATTERIES



### WARNING !

Use extreme caution when working with batteries. Sulfuric acid in batteries can cause severe injury if allowed to contact the skin or eyes. Explosive hydrogen gas is vented from inside the batteries through openings in the battery caps. This gas can be ignited by any electrical arc, spark or flame. If battery acid makes contact with your skin, flush the affected area with water for 5 minutes and seek medical attention.

**When Servicing Batteries...**

- Remove all jewelry.
- Do not smoke.
- Wear safety glasses, a rubber apron and rubber gloves.
- Work in a well-ventilated area.
- Do not allow tools to touch more than one battery terminal at a time.
- ALWAYS disconnect the negative (ground) cable first when replacing batteries to prevent sparks.
- ALWAYS connect the negative cable last when installing batteries.



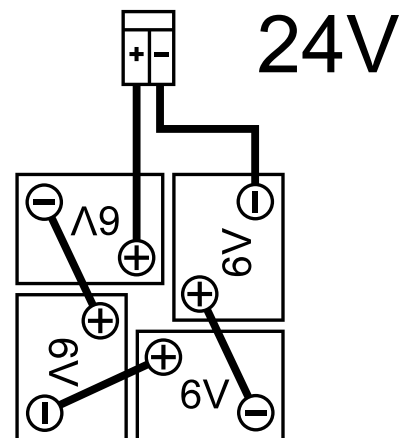
### CAUTION !

Electrical components in this machine can be severely damaged if the batteries are not installed and connected properly. Batteries should be installed by Advance or by a qualified electrician.

- 1 Empty the Recovery Tank (15) using the Recovery Tank Drain Hose (30).
- 2 Turn the Key Switch (A) off (O) and remove the key. Unlatch (29) then swing open the Recovery Tank Cover (13) and set the Prop Rod (32).
- 3 Tip the Recovery Tank (15) back towards the operator's platform to expose the battery compartment.
- 4 Using (2) people and an appropriate lifting strap, carefully lift the batteries into the compartment tray exactly as shown. Refer to the molded diagram on the underside of the Recovery Tank Cover.
- 5 **See Figure 1.** Install battery cables as shown and tighten the nuts on the battery terminals.
- 6 Install the battery boots and secure tightly to the battery cables with the supplied tie straps.
- 7 Connect the machine's main power cables to the batteries or if so equipped plug together the battery connector (33). Close the recovery tank cover.

When changing batteries or the charger, please contact your local authorized service center for correct battery, charger and machine settings to prevent battery damage.

FIGURE 1



260A/H-20HR-RATE

## INSTALL THE BRUSH (DISC SYSTEM)

1 Make sure the Scrub Deck (8) is in the RAISED position. Make sure the Key Switch (A) is off (O).

### CAUTION!

Turn the key switch off (O) and remove the key, before changing the brush.

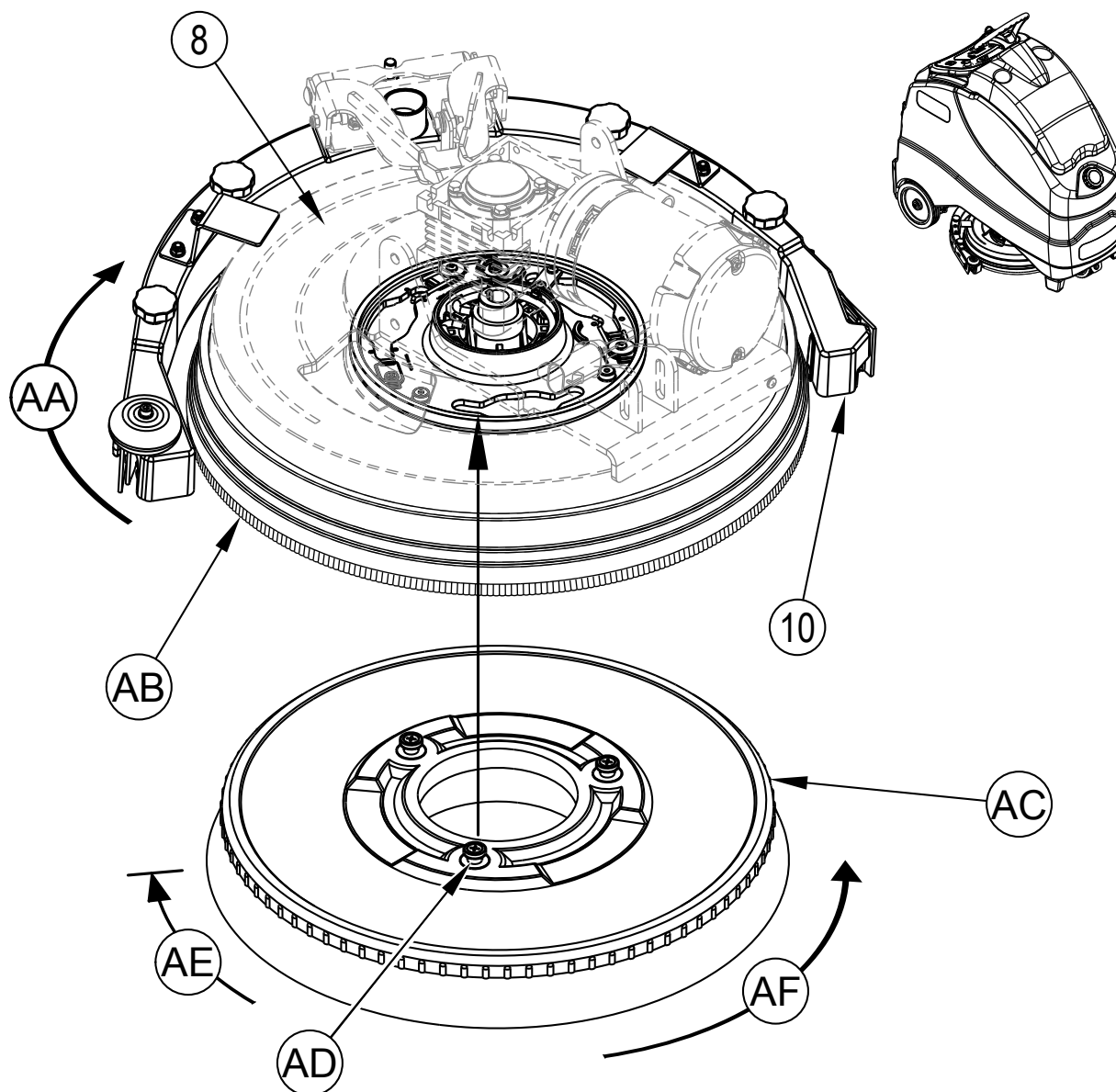
2 See Figure 2. Rotate the Squeegee Assembly (10) away from your side of the machine to create better access to the brush, (AA).

3 Lift the Scrub Deck Skirt (AB) up and slide the brush under the scrub deck.

4 If using a pad, install the pad on the pad holder.

5 To mount the Brush (AC) (or pad holder) lift the brush and align the Lugs (AD) on the brush with the holes on the mounting plate then turn to lock in place (from the right side of the machine, turn the outside edge of brush towards the rear of machine as shown (AE)). **NOTE:** During operation the brush should rotate in direction (AF).

FIGURE 2



## INSTALL THE PAD (REV SYSTEM)

- 1 Make sure the Scrub Deck is in the RAISED position. Make sure the Key Switch (A) is off (O).

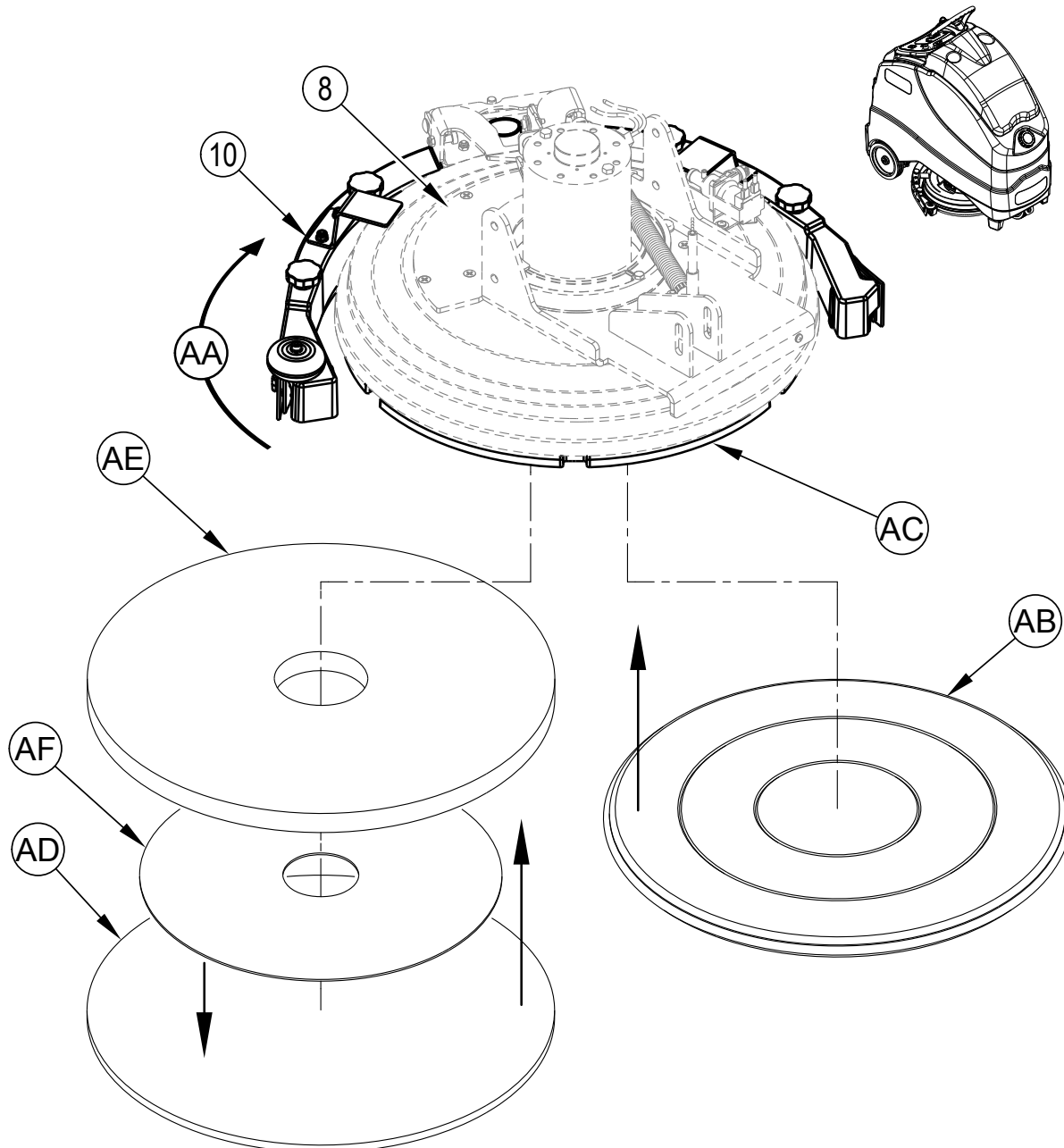


### CAUTION !

Turn the key switch off (O) and remove the key, before changing the pad

- 2 **See Figure 3.** Rotate the Squeegee Assembly (10) away from your side of the machine to create better access to the pad, (AA).
- 3 **Daily Scrubbing:** Slide a daily scrubbing pad (AE) or Microfiber Pad (AB) under the pad driver, center it on the fixed pad driver (AC) and lift it upwards and press it onto the harpoon face of the pad driver.
- 4 **Floor Finish Removal:** Install a new red pad (AE) to the pad driver (AC) as described in step 3 above. If using the optional double sided Velcro (AF), attach it to the center of maroon SPP pad (AD) and slide this assembly under the red pad and center it and then press upwards to attach this assembly to the red pad. If the optional double sided Velcro is not used, install a new red as described in step 3 above and place a new maroon SPP pad on the floor centered on the red pad. Lower the deck to the floor on top of the maroon SPP pad and check that it is centered.
- NOTE:** Never attach a maroon SPP pad directly to the pad driver, damage to the pad driver will result causing replacement.

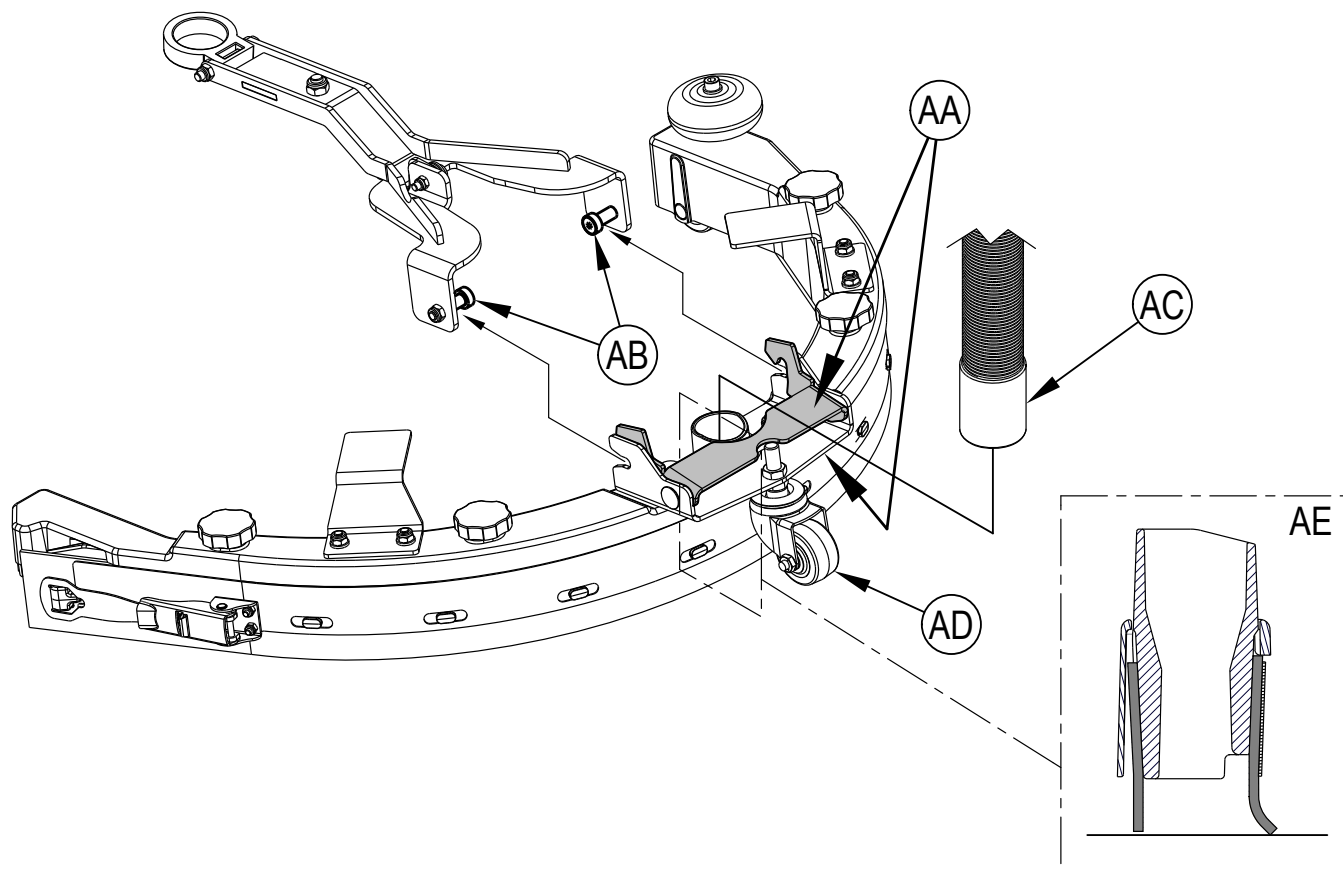
FIGURE 3



## INSTALL THE SQUEEGEE

- 1 See Figure 4. Squeeze the back of the Squeegee Mount Bracket (AA) to open and release the bracket once it's in place over the deck arm Pins (AB).
- 2 Connect the Recovery Hose (AC) to the squeegee inlet.
- 3 Lower the scrub deck and squeegee, move the machine ahead slightly. If necessary adjust the rear squeegee height using the Rear Caster Wheel (AD) so that the rear squeegee blade touches the floor evenly across its entire width and is bent over slightly as shown in the squeegee cross section (AE).

**FIGURE 4**



## FILL THE SOLUTION TANK

Read the cleaning chemical label and calculate the proper amount of chemical to mix for a tank that holds 12 US gallons (45 liters).

Open the Solution Tank Fill Cap (5) or the Solution Tank Rear Fill Port (17), then fill the tank 1/3 full of water, add the cleaning chemical, then fill up the tank the remainder of the way. The amount of solution in the tank can be observed by looking at the Solution Tank Level Sight Tube (31).



## CAUTION!

Use only low-foaming, non-flammable liquid detergents intended for automatic scrubber machine applications. Water temperature should not exceed 130 degrees Fahrenheit (55 degrees Celsius).

## DETERGENT SYSTEM PREPARATION AND USE (ECOFLEX)

### COMMON INSTRUCTIONS:

The Detergent Cartridge (3) is located under the Control Panel Housing (13). Fill the detergent cartridge with a maximum of 1 gallon (4 Liters) of detergent. **SERVICE NOTE:** Remove the detergent cartridge from the machine prior to filling to avoid spilling detergent on the machine.

It is recommended that a separate cartridge be used for each detergent you plan to use. The detergent cartridges have a white decal on them so you can write the detergent name on each cartridge to avoid mixing them up. When installing a new cartridge, remove the factory cap and place the cartridge in the machine. Install the Dry Break Cap (AA) as shown in Figure 5.

The system should be purged of previous detergent when switching to a different detergent. **SERVICE NOTE:** Move machine over floor drain before purging because a small amount of detergent will be dispensed in the process.

### To Purge When Changing Detergent (SCRUB AND SOLUTION SYSTEMS MUST BE OFF):

- 1 Disconnect and remove the detergent cartridge.
- 2 Turn the key switch (A) to the ON (I) position. Wait a few seconds for the start-up sequence to finish.
- 3 Press and hold the Detergent Switch (R) and the Solution Switch (W) for 3 seconds. Release the switches when the chemical purge icon (F10) appears on the display and the Detergent Indicator (S) starts flashing. **NOTE:** Once activated the purge process takes at least 10 seconds. See illustration on next page for Detergent System indicators. Normally one purge cycle is adequate to purge the system.

### To Purge Weekly (SCRUB AND SOLUTION SYSTEMS MUST BE OFF):

- 1 Disconnect and remove the detergent cartridge. Install and connect a Cartridge filled with clean warm water.
- 2 Follow steps 2 and 3 from "To Purge When Changing Detergent".

When the detergent level is nearing the bottom of the cartridge it is time to refill or replace the cartridge.

**SERVICE NOTE:** Follow the "To Purge Weekly" instructions above if the machine is going to be stored for an extended period of time.

### Detergent Ratio (SCRUB AND SOLUTION SYSTEM MUST BE ON):

No detergent is dispensed until the scrub and detergent systems are activated, direction is selected (L) or (N) and the Go Pedal (18) is pushed.

- The Detergent Ratio/Percentage Indicator (F4) will always be displayed when the detergent system is on.

There are 4 modes of EcoFlex operation:

1. *Chemical Free Cleaning Mode* – During scrubbing, the detergent system can be turned off at any time to allow scrubbing with water only. Press the Detergent Switch (R) until the Detergent Indicator (S) is OFF and Detergent Indicator Bar Graph (F5) displays both top and bottom boxes empty.
2. *Weak Detergent Mode* – Detergent Indicator (S) ON, Detergent Indicator Bar Graph (F5) displays bottom box filled and top box empty. Pressing the Detergent Switch (R) will cycle from weak to strong to OFF and back to weak in a repeating sequence. See below the steps "To program the Weak Detergent Ratio/Percentage".
3. *Strong Detergent Mode* – Detergent Indicator (S) ON, Detergent Indicator Bar Graph (F5) displays both top and bottom boxes filled. Pressing the Detergent Switch (R) will cycle from weak to strong to OFF and back to weak in a repeating sequence. See below the steps "To program the Strong Detergent Ratio/Percentage". Do not use a detergent level exceeding the detergent manufacturer's recommendation.
4. *Burst of Power Cleaning Mode* – Press the Burst of Power Switch (P) to temporarily (1 minute) engage the strong detergent strength, extra scrub pressure, full vacuum power and increase the solution flow rate to the next available level. The Burst of Power Indicator (Q) will blink during this 1 minute interval, after which all scrub parameters will return to their previous state.

### To program the Strong Detergent Ratio/Percentage (set this first)

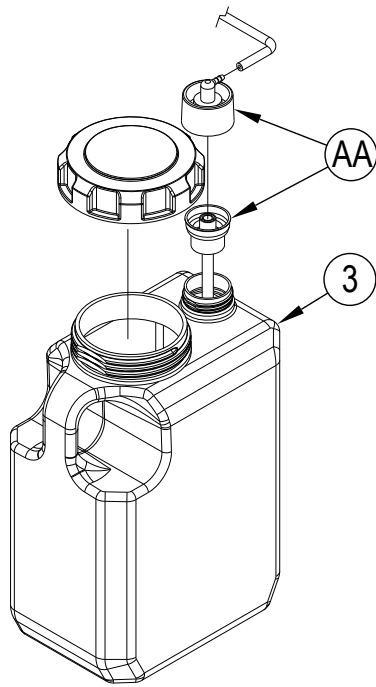
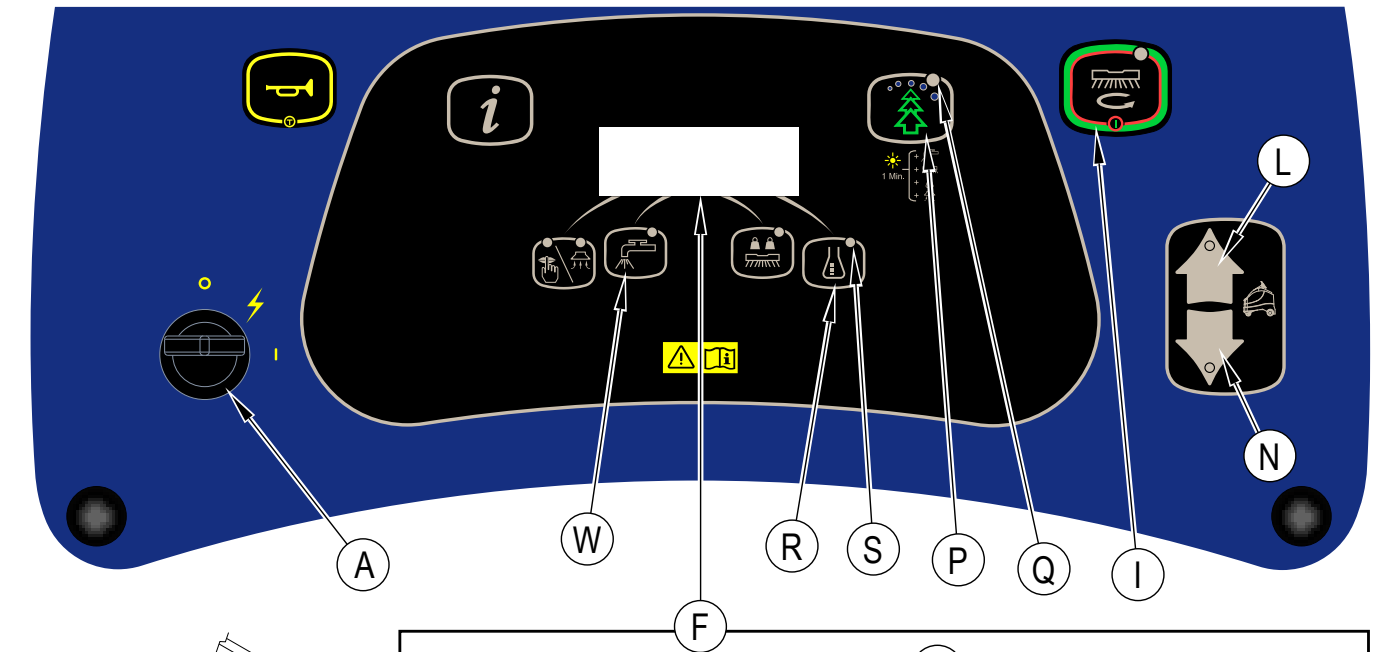
1. Press the OneTouch™ Scrub Switch (I) to activate the scrub system.
2. Press the Detergent Switch (R) until the Bar Graph (F5) displays Strong detergent (both top and bottom boxes filled).
3. Press and hold the Detergent Switch (R) again for 3 seconds to enter the programming mode. Once you have entered the strong detergent adjustment mode the top box of (F5) will flash. Also the detergent ratio/percentage (F4) and indicator (S) will begin to flash.
4. While the indicators are flashing, pressing and releasing the detergent switch (R) will cycle through the options. The ratio and its corresponding percentage are displayed together.  
Ratio = 1:32, 1:50, 1:64, 1:100, 1:128, 1:150, 1:200, 1:256, 1:300, 1:400.  
Percentage = 3%, 2%, 1.5%, 1%, 0.8%, 0.66%, 0.5%, 0.4%, 0.3%, 0.25%.
5. Once the desired ratio/percentage is displayed on the screen (F4), stop and it will save the setting after 3 seconds.
6. If the weak setting is currently set to a higher value than the new strong programmed setting, the software will automatically adjust the weak setting to be one value weaker than the strong setting.

### To program the Weak Detergent Ratio/Percentage

1. Press the OneTouch™ Scrub Switch (I) to activate the scrub system.
2. Press the Detergent Switch (R) until the Bar Graph (F5) displays Weak detergent (bottom box filled and top box empty).
3. Press and hold the Detergent Switch (R) again for 3 seconds to enter the programming mode. Once you have entered the weak detergent adjustment mode the bottom box of (F5) will flash. Also the detergent ratio/percentage (F4) and indicator (S) will begin to flash.
4. While the indicators are flashing, pressing and releasing the detergent switch (R) will cycle through the available options. The weak setting must be a value weaker than or equal to the strong setting, so only the values that fall within that range will be displayed as you cycle through them.
5. Once the desired ratio/percentage is displayed on the screen (F4), stop and it will save the setting after 3 seconds.

**DETERGENT SYSTEM PREPARATION AND USE (ECOFLEX)**

**FIGURE 5**



	<p>Purge</p> <p>Press and hold (R) &amp; (W) for 3 seconds to purge</p>
<p>F4</p> <p>F5</p>	Weak detergent
	Strong detergent
	Detergent OFF

## OPERATING THE MACHINE



### WARNING!

Be sure you understand the operator controls and their functions.

While on ramps or inclines, avoid sudden stops. Avoid abrupt sharp turns. Use low speed down ramps.

#### To Scrub...

Follow the instructions in "Preparing the Machine for Use" section of this manual.

- 1 **See Figure 6.** Step onto the Platform (20) compressing Operator's Presence Pedal (19). **NOTE:** Do not press the Go Pedal (18) until you are ready to move the machine.
- 2 Turn the Key Switch (A) ON (I). Wait a few seconds for the start-up sequence to finish. The graphic display (F) will show the information screen [2]. Reference the Battery Charge Level Indicator (F8) before proceeding.
- 3 To transport the machine to the work area, first push the Forward Drive Switch (L) or Reverse Drive Switch (N) to select the direction of travel and then apply pressure with your foot on the Go Pedal (18). **Safety Feature:** If you press and hold the Go Pedal (18) prior to pressing either Forward (L) or Reverse (N) an "error 03" (F6) will appear on the screen preventing the machine from moving. If this occurs cycle the key switch OFF and ON in order to operate the machine. An audible alert from the horn will sound in reverse. Adjust machine speed by rotating the Speed Adjustment Knob (K) clockwise to go faster or counterclockwise to go slower.
- 4 Press and hold the Solution Switch (W) to pre-wet the floor, solution will be dispensed at the HIGH rate while the switch is held. **NOTE:** This will help prevent scarring of the floor surface when starting to scrub with dry brushes. This can only be done prior to pressing the One-Touch Scrub Switch (I).
- 5 Press the One-Touch Scrub Switch (I). The graphic display (F) will change to the scrubbing screen [1]. The scrub deck and squeegee will be lowered to the floor. The scrub, vacuum, solution and detergent systems are enabled and will all start when the Go Pedal (18) is activated. The scrub parameters are saved after each use. When the key is turned ON and the One-Touch scrub button is pressed the scrub parameters (vacuum power, solution flow rate, scrub pressure setting and detergent strength) will all be remembered from previous use.
 

**Scrub:** Each press of the Brush Pressure Switch (T) will change between STANDARD pressure ((F3) bottom box filled top box empty) and EXTRA pressure ((F3) both bottom and top boxes filled). The scrub system can only be turned OFF by pressing the One-Touch Scrub Switch (I).

**Solution:** The solution flow rate can be changed independently of the scrub pressure by pressing the Solution Switch (W). Each press of the switch will cycle between LOW, MEDIUM, HIGH, OFF and back to LOW. LOW is indicated when (F2) displays bottom box filled, MEDIUM is indicated when (F2) displays bottom and middle boxes filled, HIGH is indicated when (F2) displays all three boxes filled, and OFF is indicated when (F2) displays all three boxes empty.

**Vacuum:** The vacuum level can be changed independently. Each press of the Vacuum Switch (Y) will cycle between LOW, HIGH, OFF and back to LOW. LOW is indicated when Vacuum Level Bar Graph (F1) displays bottom box filled, HIGH is indicated when (F1) displays both bottom and top boxes filled. OFF is indicated when (F1) displays both bottom and top boxes empty. **NOTE:** To pick up solution without scrubbing, press the Vacuum Switch (Y) while in transport mode. This will cause the squeegee to lower and the vac motor to turn ON at the LOW level.

**Detergent:** See "Detergent System Preparation and Use (EcoFlex)" for more detailed information regarding the adjustment and use of the detergent system.
- 6 **Daily Scrub:** Begin scrubbing by driving the machine forward in a straight line at a safe speed and overlap each path by 2-3 inches (50-75 mm). Adjust the machine speed, scrub pressure, solution flow and detergent level when necessary according to the condition of the floor. **NOTE:** The machine speed can be adjusted by rotating the Speed Adjustment Knob (K) clockwise to go faster or counterclockwise to go slower.
 

**Floor Finish Removal (REV model only):** Ensure there is a red pad attached directly to the fixed pad driver and that the maroon SPP pad is not attached to the fixed pad driver. Adjust the scrub parameters as follows: Adjust the machine speed potentiometer to a slow scrub speed approximated by that shown in Figure 6 (K). Adjust the solution flow rate to low, the scrub pressure to high and turn detergent off. The vacuum power setting can be set to either low or high.
- 7 Press the Burst of Power Switch (P) to temporarily (1 minute) engage the strong detergent strength, extra scrub pressure, full vacuum power and increase the solution flow rate to the next available level. The Burst of Power Indicator (Q) will blink during this 1 minute interval, after which all scrub parameters will return to their previous state.



### CAUTION!

To avoid damaging the floor, only start and stop the scrubbing function while the machine is in motion.

- 8 When scrubbing, check behind the machine occasionally to see that all of the waste water is being picked up. If there is water trailing the machine, you may be dispensing too much solution, the recovery tank may be full, or the squeegee tool may require adjustment.
- 9 For extremely dirty floors, a one-pass scrubbing operation may not be satisfactory and a "double-scrub" operation may be required. This operation is the same as a one-pass scrubbing except on the first pass the squeegee is in the up position. Lift up the squeegee assembly and rotate the double scrub bracket (AA) down, to hold the squeegee off the floor. This allows the cleaning solution to remain on the floor to work longer. The final pass is made over the same area, with the squeegee lowered to pick up the accumulated solution.
- 10 The recovery tank has a shut-off float (14) that causes a change in pitch in the vac motor. When this float is activated, the recovery tank must be emptied. The machine will not pick up water with the float activated.
- 11 When the operator wants to stop scrubbing:
 

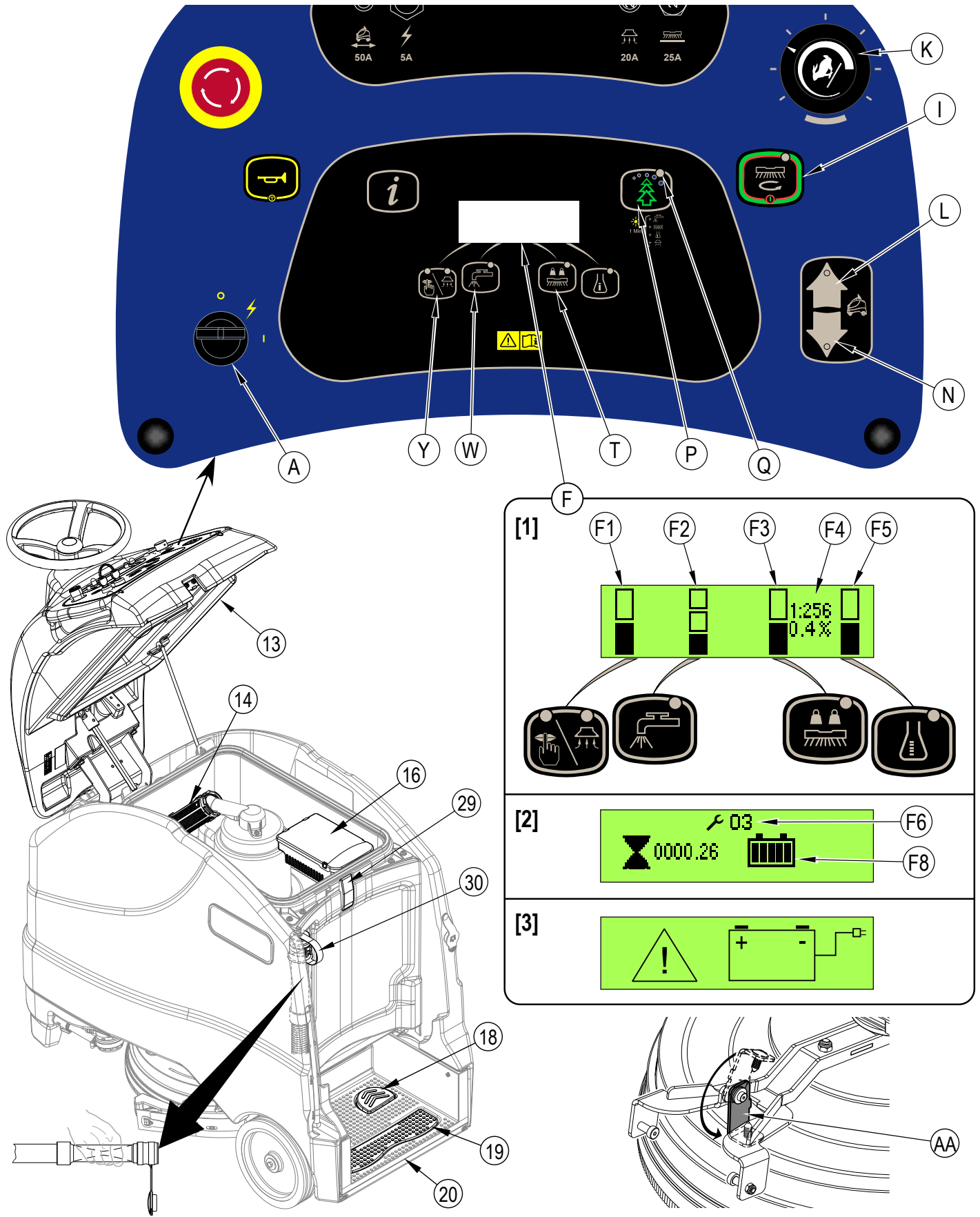
Press the One-Touch Scrub Switch (I) once. This will automatically stop the scrub brushes and solution flow and the scrub deck will raise up. The squeegee will raise up after a brief delay with the scrub deck and the vacuum will stop after a brief time delay (this is to allow any remaining water to be picked up without turning the vacuum back on) if the vacuum switch is pressed during this time delay the vacuum will turn off.
- 12 Drive the machine to a designated waste water "DISPOSAL SITE" and empty the recovery tank. To empty, pull the Recovery Tank Drain Hose (30) from its rear storage area, then unscrew the cap (hold the end of the hose above the water level in the tank to avoid sudden, uncontrolled flow of waste water). The drain hose can be squeezed to regulate the flow. Unlatch (29) and lift open the Recovery Tank Cover (13) to inspect and empty the Debris Catch Tray (16) in the recovery tank. Refill the solution tank and continue scrubbing.

**NOTE:** Make sure the Recovery Tank Cover (13) and the Recovery Tank Drain Hose (30) cap are properly seated or the machine will not pick-up water correctly.

When the batteries require recharging the Battery Low Voltage Screen [3] will come on. Then the scrub brushes and solution flow will stop and the scrub deck will raise up. Once the battery voltage drops below a second cutoff level the squeegee will raise up and the vacuum will stop after a brief delay. Transport the machine to a service area and recharge the batteries according to the instructions in the Battery section of this manual.



FIGURE 6



**AFTER USE**

- 1 When finished scrubbing, press the One-Touch Scrub Switch **(1)**, this will automatically raise, retract and stop all the machine systems (brush, squeegee, vacuum, solution and detergent). Then drive the machine to a service area for daily maintenance and review of other needed service upkeep.
- 2 To empty the solution tank:  
Direct the Solution Tank Drain Hose **(22)** toward a designated "DISPOSAL SITE" and open the Solution Drain Valve **(34)**. Also the tank can be drained by closing the Solution Shutoff Valve **(27)** and removing the cap from the Solution Filter **(26)**, then open the Solution Shutoff Valve to drain the solution out through the filter. Rinse the tank with clean water.
- 3 To empty the recovery tank, pull the Recovery Tank Drain Hose **(30)** from its storage area. Direct the hose to a designated "DISPOSAL SITE" and unscrew the cap (hold the end of the hose above the water level in the tank to avoid sudden, uncontrolled flow of waste water). Unlatch **(29)** and lift open the Recovery Tank Cover **(13)** set the prop rod **(32)**. Inspect and empty the Debris Catch Tray **(16)** in the recovery tank. Rinse the tank with clean water.
- 4 Remove the brush or pad holder. Rinse the brush or pad in warm water and hang up to dry.
- 5 Remove the squeegee, rinse it with warm water and hang it up to dry.
- 6 Check the maintenance schedule below and perform any required maintenance before storage.
- 7 Store the machine indoors in a clean dry place. Keep from freezing. Leave the tanks open to air them out.
- 8 Turn the Key Switch **(A)** OFF (O) and remove the key.
- 9 Batteries are the most expensive replacement item on this machine. To protect your investment and to get as many cycles from the batteries as possible, remember the following:
  - Batteries will last longer if kept fully charged.
  - Batteries equipped with this machine will not develop a memory.
  - Batteries will last longer and will deliver more cycles if they are opportunity charged.
  - Battery chargers will not over or undercharge the batteries.
  - Batteries will prematurely fail if stored in a discharged state.
  - When the machine is not being used, plug the machine in to charge the batteries.
  - Every day after use, the battery charger must be plugged in and the charger must be allowed to run through a full charging sequence to fully charge the batteries.

**MAINTENANCE SCHEDULE**

MAINTENANCE ITEM	Daily	Weekly	Monthly	Yearly
Charge Batteries	X			
Check/Clean Tanks & Hoses	X			
Check/Clean the Brushes/Pads	X			
Check/Clean the Squeegee	X			
Check/Clean Vacuum Shut-Off Float	X			
Empty/Clean Debris Catch Tray in Recovery Tank	X			
Check Each Battery Cell(s) Water Level		X		
Inspect Scrub Housing Skirt		X		
Inspect and clean Solution Filter		X		
Purge Detergent System		X		
Lubrication of Machine			X	
* Check Carbon Brushes				X

\* Have an Authorized Advance Service Center check the vacuum motor carbon motor brushes once a year or after 300 operating hours. The brush and drive motor carbon brushes should be checked every 500 hours or once a year.

## LUBRICATING THE MACHINE

Apply grease to (or grease fitting locations) (AA):

Use grease type Lubriplate® 730-2 or equivalent

- Steering Chain
- Drive Wheel Chain
- Drive Chain Idler Sprocket (grease fitting)
- Steering Shaft (steering assembly tube)

Once a month, apply light machine oil to lubricate the (AB):

- Steering shaft universal joints

FIGURE 7

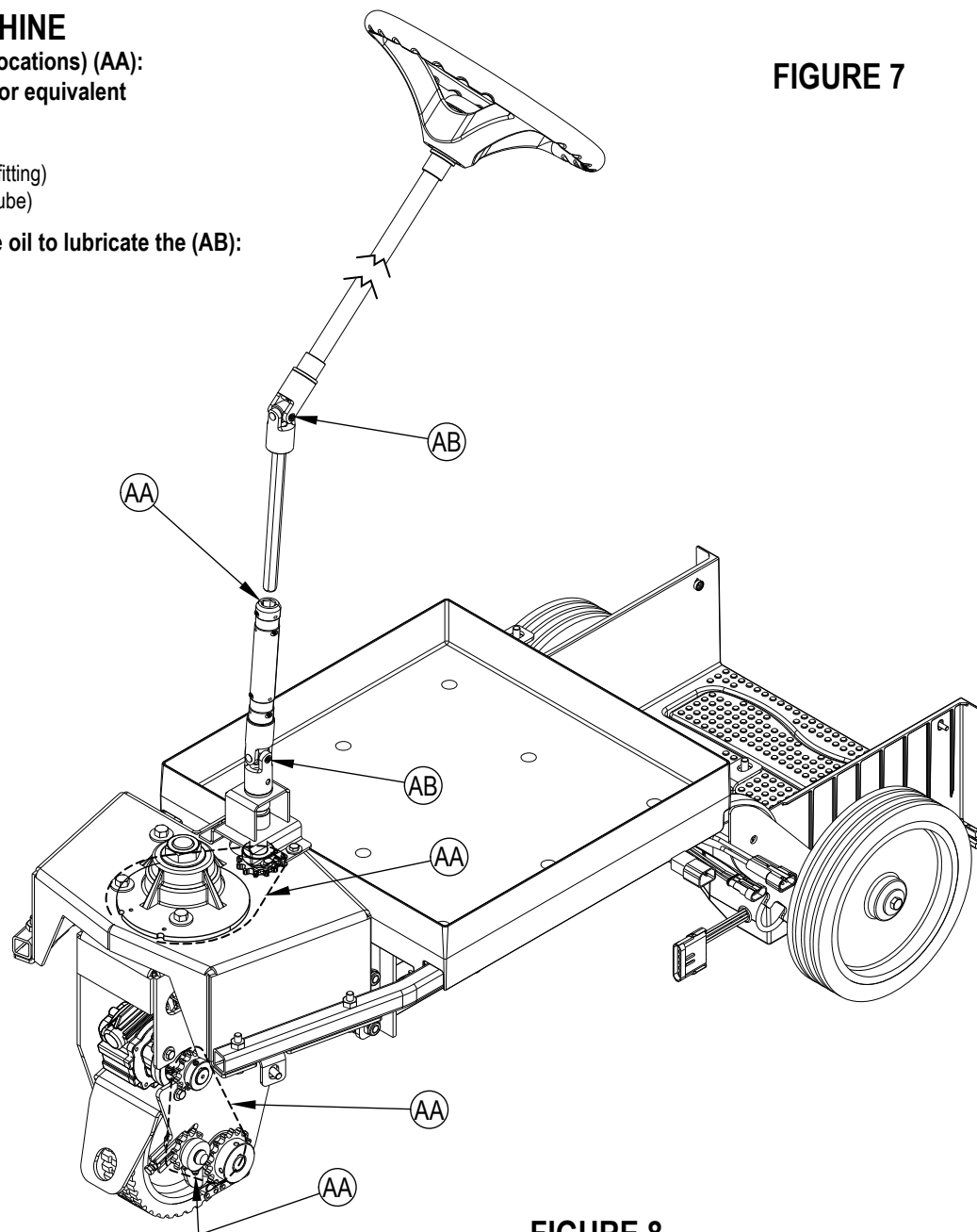
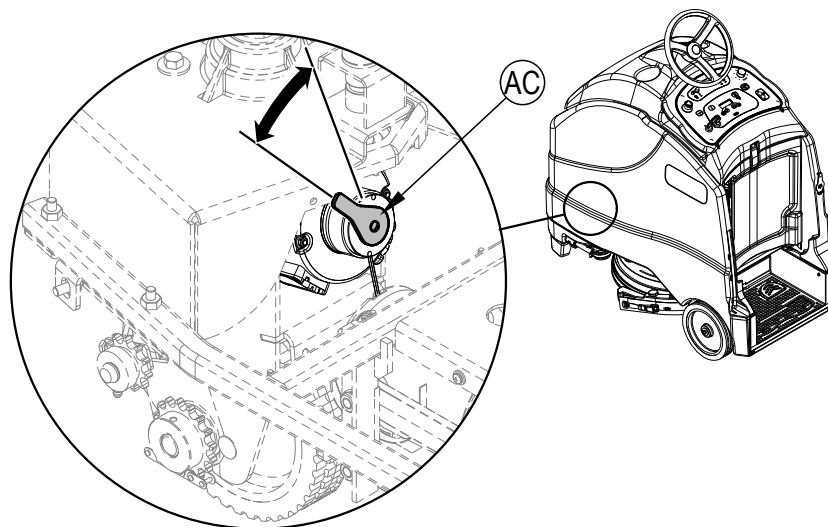


FIGURE 8

## ELECTROMAGNETIC BRAKE

See Figure 8. The drive wheel motor has a built in electromagnetic brake that is engaged whenever the Key Switch (A) is OFF or the Go Pedal (18) is not being pressed, machine in neutral. This brake can be manually overridden if necessary by reaching up around the back of the front drive wheel and rotating the Brake Arm (AC) up as shown. This should only be done in the event you need to push or pull the unit. Remember to re-engage the brake arm once you finish moving the machine. **NOTE:** Turn the drive wheel 45° to the right for easier access to the brake arm.



## CHARGING WET BATTERIES

Charge the batteries each time the machine is used or when the Battery Charge Level Indicator (F8) is reading less than full.

### WARNING!

Do not top off the batteries before charging. Check to ensure the plates are covered only.

Charge batteries in a well-ventilated area. If battery acid makes contact with your skin, flush the affected area with water for 5 minutes and seek medical attention.

Do not smoke while servicing the batteries.

#### When Servicing Batteries...

- \* Remove all jewelry
- \* Do not smoke
- \* Wear safety glasses, rubber gloves and a rubber apron
- \* Work in a well-ventilated area
- \* Do not allow tools to touch more than one battery terminal at a time
- \* ALWAYS disconnect the negative (ground) cable first when replacing batteries to prevent sparks.
- \* ALWAYS connect the negative cable last when installing batteries.

#### If your machine shipped **with** an onboard battery charger do the following:

- 1 Turn the Key Switch (A) OFF.
- 2 **See Figure 9.** Open the Control Panel Housing (13) set the Prop Rod (32).
- 3 Empty the Recovery Tank (15) using the Recovery Tank Drain Hose (30). Tip the Recovery Tank (15) back for proper ventilation.
- 4 Unwind the electrical cord for the onboard charger near the front of the machine and plug it into a properly grounded outlet. Refer to the OEM product manual for more detailed operating instructions. **NOTE:** The Battery Charger Screen [4] will be displayed on the Graphic Display (F) while AC power is applied to the onboard charger (during which time all machine functions are disabled). This screen will display Battery Charge Level Indicator (F8) and Battery Type (F9).
- 5 The Battery Charge Level Indicator (F8) will display full once the batteries are done charging.

#### If your machine shipped **without** an onboard battery charger do the following:

- 1 Turn the Key Switch (A) OFF.
- 2 **See Figure 9.** Open the Control Panel Housing (13) set the Prop Rod (32).
- 3 Empty the Recovery Tank (15) using the Recovery Tank Drain Hose (30). Tip the Recovery Tank (15) back for proper ventilation.
- 4 Disconnect the batteries from the machine and push the connector from the charger into the Machine Battery Connector (33). Follow the instructions on the battery charger. **SERVICE NOTE:** Make sure you plug the battery charger into the connector that attaches to the batteries.

### CAUTION!

To avoid damage to floor surfaces, wipe water and acid from the top of the batteries after charging. Under or overcharging will shorten battery life and limit performance. Be sure to FOLLOW PROPER CHARGING INSTRUCTIONS!

## CHECKING THE BATTERY WATER LEVEL

Check the water level of the batteries at least once a week.

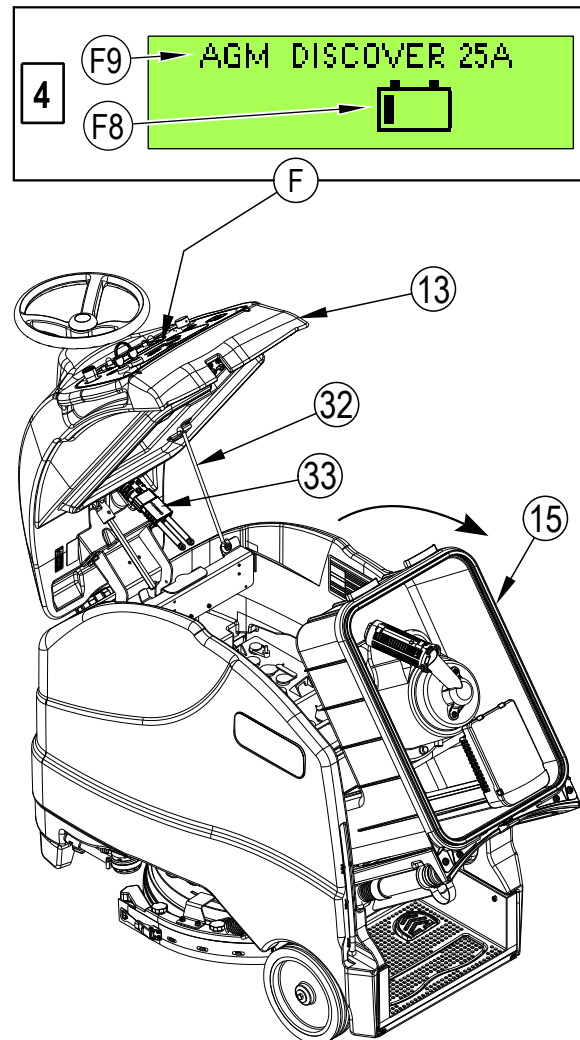
Remove the vent caps and check the water level in each battery cell. Use distilled or demineralized water in a battery filling dispenser (available at most auto parts stores) to fill each cell to the level indicator (or to .39 inches / 10 mm over the top of the separators). DO NOT over-fill the batteries!

### CAUTION!

Acid can spill onto the floor if the batteries are overfilled.

Tighten the vent caps. Wash the tops of the batteries with a solution of baking soda and water (2 tablespoons of baking soda to 1 liter of water).

FIGURE 9



## CHARGING GEL/AGM (VRLA) BATTERIES

Charge the batteries each time the machine is used or when the Battery Charge Level Indicator (F8) is reading less than full.

### WARNING!

Charge batteries in a well-ventilated area. If battery acid makes contact with your skin, flush the affected area with water for 5 minutes and seek medical attention.

Do not smoke while servicing the batteries.

#### When Servicing Batteries...

- \* Remove all jewelry
- \* Do not smoke
- \* Wear safety glasses, rubber gloves and a rubber apron
- \* Work in a well-ventilated area
- \* Do not allow tools to touch more than one battery terminal at a time
- \* ALWAYS disconnect the negative (ground) cable first when replacing batteries to prevent sparks.
- \* ALWAYS connect the negative cable last when installing batteries.

### CAUTION!

Your voltage regulated lead acid (VRLA) battery will deliver superior performance and life ONLY IF IT IS RECHARGED PROPERLY! Under or overcharging will shorten battery life and limit performance. Be sure to FOLLOW PROPER CHARGING INSTRUCTIONS! DO NOT ATTEMPT TO OPEN THIS BATTERY! If a VRLA battery is opened, it loses its pressure and the plates become oxygen contaminated. THE WARRANTY WILL BE VOIDED IF THE BATTERY IS OPENED.

#### If your machine shipped with an onboard battery charger do the following:

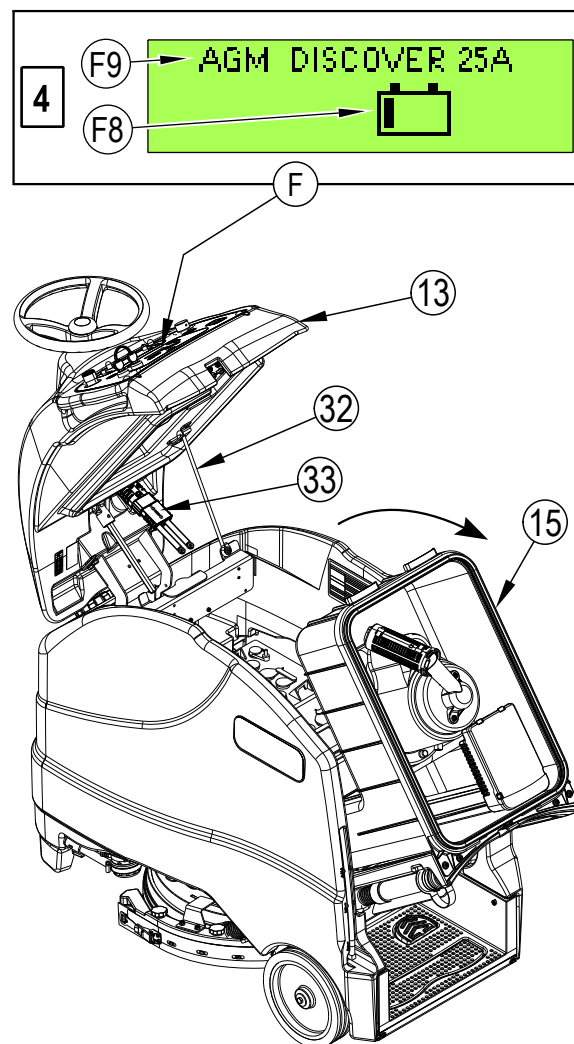
- 1 Turn the Key Switch (A) OFF.
- 2 **See Figure 9.** Open the Control Panel Housing (13) set the Prop Rod (32).
- 3 Empty the Recovery Tank (15) using the Recovery Tank Drain Hose (30). Tip the Recovery Tank (15) back for proper ventilation.
- 4 Unwind the electrical cord for the onboard charger near the front of the machine and plug it into a properly grounded outlet. Refer to the OEM product manual for more detailed operating instructions. **NOTE:** The Battery Charger Screen [4] will be displayed on the Graphic Display (F) while AC power is applied to the onboard charger (during which time all machine functions are disabled). This screen will display Battery Charge Level Indicator (F8) and Battery Type (F9).
- 5 The Battery Charge Level Indicator (F8) will display full once the batteries are done charging.

#### If your machine shipped without an onboard battery charger do the following:

- 1 Turn the Key Switch (A) OFF.
- 2 **See Figure 9.** Open the Control Panel Housing (13) set the Prop Rod (32).
- 3 Empty the Recovery Tank (15) using the Recovery Tank Drain Hose (30). Tip the Recovery Tank (15) back for proper ventilation.
- 4 Disconnect the batteries from the machine and push the connector from the charger into the Machine Battery Connector (33). Follow the instructions on the battery charger. **SERVICE NOTE:** Make sure you plug the battery charger into the connector that attaches to the batteries.

**IMPORTANT:** Make sure you have an appropriate charger for use on Gel cell batteries. Use only "voltage-regulated" or "voltage-limited" chargers. Standard constant current or taper current chargers MUST NOT be used. A temperature-sensing charger is recommended, as manual adjustments are never accurate and will damage any VRLA battery.

FIGURE 9



## SQUEEGEE MAINTENANCE

If the squeegee leaves narrow streaks or water, the blades may be dirty or damaged. Remove the squeegee, rinse it under warm water and inspect the blades. Reverse or replace the blades if they are cut, torn, wavy or worn.

### To Reverse or Replace the Rear Squeegee Wiping Blade...

- 1 See Figure 10. Raise the deck and squeegee assembly off the floor, then unsnap the Rear Squeegee Blade Removal Latch (23).
- 2 Remove the Tension Strap (AA).
- 3 Slip the rear blade (AB) off the alignment pins.
- 4 The squeegee blade has 4 working edges. Turn the blade so a clean, undamaged edge points toward the front of the machine. Replace the blade if all 4 edges are nicked, torn or worn to a large radius.
- 5 Install the blade, following the steps in reverse order and adjust the squeegee tilt if necessary.

### To Reverse or Replace the Front Squeegee Blade...

- 1 Raise the squeegee off the floor, then rotate the squeegee towards the outside of the machine to access. Disconnect the squeegee hose (AD) from the squeegee. Squeeze the back of the Squeegee Mount Bracket (AE) to open the bracket and pull the squeegee assembly off the machine.
- 2 Loosen the four Squeegee Cover Knobs (11). Then lift the Squeegee Cover (AF) off of the Squeegee Casting (AG).
- 3 Slip the front blade (AH) off the alignment pins.
- 4 The squeegee blade has 4 working edges. Turn the blade so a clean, undamaged edge points toward the front of the machine. Replace the blade if all 4 edges are nicked, torn or worn to a large radius.
- 5 Install the blade, following the steps in reverse order and adjust the squeegee tilt if necessary.

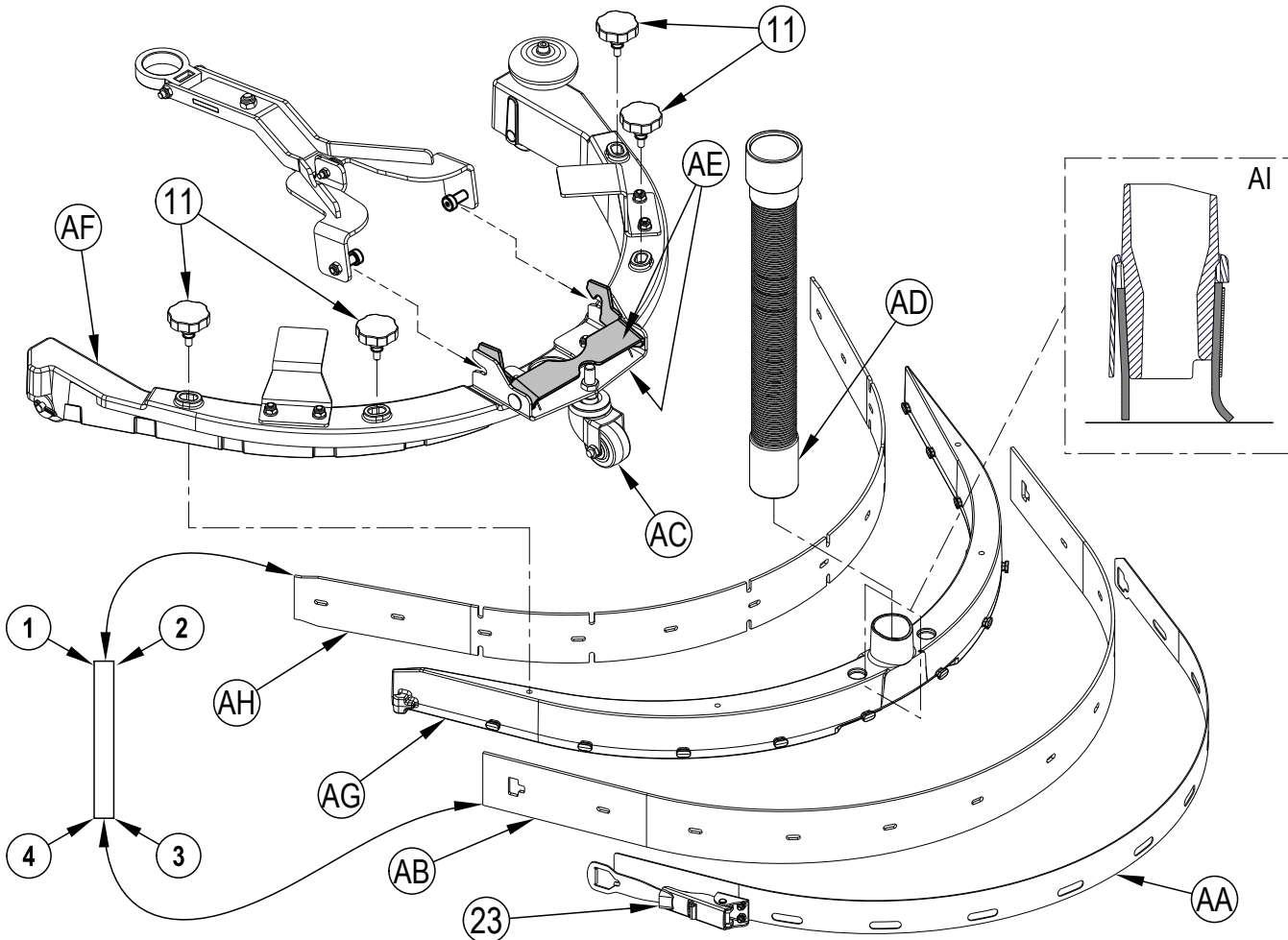
## SQUEEGEE ADJUSTMENT

There is only one squeegee assembly adjustment possible, tilt.

Adjust the squeegee tilt if the squeegee is not wiping the floor dry.

- 1 Park the machine on a flat, even surface and lower the squeegee. Then drive the machine forward enough to have the squeegee blades fold over to the rear.
- 2 Adjust the squeegee tilt using the Rear Caster Wheel (AC) so that the rear squeegee blade touches the floor evenly across its entire width and is bent over slightly as shown in the squeegee cross section (AI).

FIGURE 10



## GENERAL MACHINE TROUBLESHOOTING

Problem	Possible Cause	Remedy
Poor water pick-up	Worn or torn squeegee blades	Reverse or replace
	Squeegee out of adjustment	Adjust so blades touch floor evenly across entire width
	Recovery tank full	Empty recovery tank
	Recovery Tank Drain Hose (30) leak	Secure drain hose cap or replace
	Recovery Tank Cover (13) gasket leak	Replace gasket / Seat cover properly
	Debris caught in Squeegee (10)	Clean squeegee assembly
	Recovery Hose between squeegee and recovery tank clogged	Remove debris
	Vacuum set to quiet mode	Set vacuum to high
Poor scrubbing performance	Worn brush or pad	Replace brush or pad
	Wrong brush or pad type	Consult Advance
	Wrong cleaning chemical	Consult Advance
	Moving machine too fast	Slow down
	Not using enough solution	Increase solution flow
Inadequate or no solution flow	Solution tank empty	Fill solution tank
	Solution lines, valves or filter (26) clogged	Flush lines and clean solution filter
	Solution Shutoff Valve (27) closed	Open solution shutoff valve
	Solution Solenoid Valve (25)	Clean or replace valve
Machine does not power ON	Machine Battery Connector (33) disconnected	Reconnect battery connectors
	Tripped 5 Amp circuit breaker (E)	Check for electrical short circuit & reset
	Key Switch (A) failure	<b>(contact Advance Authorized Service Center)</b>
No FWD/REV wheel drive	Emergency Stop Switch (B) tripped	Reset the Emergency Stop Switch
	Drive system speed controller	Check error fault codes <b>(contact Advance Authorized Service Center)</b>
	Tripped 50 Amp circuit breaker (D)	Check for drive motor overload
No Detergent Flow	Empty Detergent Container (3)	Fill detergent container
	Plugged or kinked detergent flow line	Purge system, straighten lines to remove any kinks
	Detergent pump	Check pump, wiring and lines

## ACCESSORIES / OPTIONS

In addition to the standard components, the machine can be equipped with the following accessories/options, according to the machine specific use:

- Brushes with harder or softer bristles
- Pads with more or less abrasiveness
- Shelf Charger
- Battery Full Indicator

For further information about the above-mentioned accessories, contact an authorized Retailer.

## TECHNICAL SPECIFICATIONS (as installed and tested on the unit)

Model		SC1500-X20D	SC1500-X20R
Model No.		56104000	56104001
Voltage, Batteries	V	24V	24V
Battery Capacity	Ah	260	260
Protection Grade		IPX3	IPX3
Sound Pressure Level IEC 60335-2-72: 2002 Amend. 1:2005, ISO 11201	dB(A)	63 dB LpA, ±3 dB KpA	62 dB LpA, ±3 dB KpA
Gross Vehicle Weight / Transport Weight	lbs / kg	897 / 407	897 / 407
Empty Weight	lbs / kg	620 / 281	620 / 281
Maximum Wheel Floor Loading (center front)	psi / N/mm <sup>2</sup>	160 / 1.10	160 / 1.10
Maximum Wheel Floor Loading (right rear)	psi / N/mm <sup>2</sup>	139 / .96	139 / .96
Maximum Wheel Floor Loading (left rear)	psi / N/mm <sup>2</sup>	135 / .93	135 / .93
Vibrations at the Hand Controls (ISO 5349-1)	m/s <sup>2</sup>	.17	.82
Vibrations for the Whole Body (ISO 2631-1)	m/s <sup>2</sup>	.01	.13
Gradeability Transport		14% (7.1°)	14% (7.1°)
Gradeability Cleaning		8.3% (4.75°)	8.3% (4.75°)

### Material Composition and Recyclability

Type	% of machine weight	% recyclable
Aluminum	2%	100%
Electrical / motors / engines - misc.	14%	38%
Ferrous metals	41%	100%
Harnesses / cables	6%	83%
Liquids	0%	0%
Plastic - non-recyclable	4%	0%
Plastic - recyclable	5%	100%
Polyethylene	27%	90%
Rubber	1%	33%





**ÍNDICE**

	<b>Página</b>
Introducción.....	B-3
Precauciones y advertencias.....	B-4 - B-5
Conozca su máquina.....	B-6 - B-7
Panel de control.....	B-8 - B-9
<b>Preparación de la máquina para su uso</b>	
Instalación de las baterías.....	B-10
Instalación del cepillo (disco).....	B-11
Instalación de la bayeta (REV).....	B-12
Instalación de la rasqueta.....	B-13
Llenado del depósito de solución.....	B-13
Sistema de detergente.....	B-14 - B-15
<b>Manejo de la máquina</b>	
Fregado.....	B-16 - B-17
Después de la utilización.....	B-18
Programa de mantenimiento.....	B-18
Lubricación de la máquina.....	B-19
Freno electromagnético.....	B-19
Recarga de las baterías (líquido).....	B-20
Comprobación del nivel de agua de las baterías.....	B-20
Recarga de las baterías (gel).....	B-21
Mantenimiento de la rasqueta.....	B-22
Ajuste de la rasqueta.....	B-22
Resolución de problemas.....	B-23
Especificaciones técnicas.....	B-24

## INTRODUCCIÓN

Este manual le ayudará a sacar el máximo rendimiento a su fregadora Advance. Léalo con atención antes de utilizar la máquina.

**Nota: Los números que aparecen en negrita entre paréntesis indican elementos ilustrados en las páginas B-6 – B-9.**

Esta máquina sólo es adecuada para el uso comercial, por ejemplo en hoteles, colegios, hospitales, fábricas, tiendas, oficinas y negocios de alquiler. La SC1500 es una máquina de limpieza de pisos a batería.

## COMPONENTES Y SERVICIO

Las reparaciones, cuando sean necesarias, deben ser realizadas por su Centro Autorizado de Servicio Advance, que utiliza personal de servicio formado en fábrica y lleva un inventario de las piezas de repuesto y accesorios Advance originales.

Llame al DISTRIBUIDOR ADVANCE que se indica a continuación para lo referente a piezas de repuesto y servicio. Por favor, especifique el modelo y el número de serie cuando hable de su máquina.

## MODIFICACIONES

Las modificaciones y los agregados a la máquina de limpieza que afecten su capacidad y su funcionamiento seguro no serán realizados por el cliente o el usuario sin la autorización previa y por escrito de Nilfisk-Advance Inc. Las modificaciones que no cuenten con la aprobación correspondiente anularán la garantía de la máquina y harán que el cliente sea responsable de cualquier accidente resultante.

## PLACA DE IDENTIFICACIÓN

El Número de modelo y Número de serie de la máquina se indican en la placa de identificación instalada en la misma. Esta información es necesaria a la hora de solicitar repuestos para la máquina. Utilice el espacio situado más adelante para anotar el número de modelo y el número de serie de la máquina para futuras consultas.

NÚMERO DE MODELO \_\_\_\_\_

NÚMERO DE SERIE \_\_\_\_\_

## DESEMBALAJE DE LA MÁQUINA

Cuando reciba la máquina, examine con atención la caja del embalaje y la máquina, con el fin de comprobar si existe algún daño. Si observa algún daño, guarde la caja de embalaje (si procede) para que se pueda inspeccionar. Póngase en contacto inmediatamente con el Departamento de Servicio al Cliente de Advance para presentar una reclamación por daños en transporte. Consulte la hoja de instrucciones de desembalaje incluida con la máquina para sacar la máquina del palet.

## TRANSPORTE DE LA MÁQUINA

### ¡PRECAUCIÓN!

Antes de transportar la máquina sobre un camión o remolque abierto, asegúrese de. . .

- Que todos los depósitos estén vacíos.
- Que la tapa del depósito de recuperación esté bien cerrada.
- Que la máquina esté firmemente sujeta – véase Puntos de Sujeción (6) en *Conozca su máquina*.
- El freno electromagnético de la máquina esté activo (no desactivado manualmente).

### ADVERTENCIA:

Los Productos a la venta en este Manual contienen, o pueden contener, productos químicos reconocidos por algunos gobiernos (como el Estado de California, según lo indica en su Proposición 65, Ley de Advertencia Regulatoria) como causantes de cáncer, defectos de nacimiento u otros daños reproductivos. En algunas jurisdicciones (incluido el Estado de California), los compradores de estos Productos que los coloquen en servicio en un emplazamiento laboral o en un espacio de acceso público tienen la obligación regulatoria de realizar determinados avisos, advertencias o divulgaciones respecto de los productos químicos contenidos o posiblemente contenidos en los Productos utilizados en tal lugar. Es la responsabilidad del comprador conocer y cumplir con todas las leyes y reglamentaciones relacionadas con el uso de estos Productos en tales entornos. El Fabricante niega toda responsabilidad de informar a los compradores sobre requisitos específicos que pueden regir el uso de los Productos en tales entornos.

## PRECAUCIONES Y ADVERTENCIAS

### SÍMBOLOS

Advance utiliza los símbolos que se indican más abajo para señalar situaciones potencialmente peligrosas. Lea siempre con atención esta información y tome las medidas necesarias para la protección de las personas y la propiedad.

#### ¡PELIGRO!

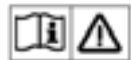
Se utiliza para advertir de riesgos inmediatos que producirán lesiones personales graves o incluso fatales.

#### ¡ADVERTENCIA!

Se utiliza para llamar la atención sobre una situación que podría producir lesiones personales graves.

#### ¡PRECAUCIÓN!

Se utiliza para llamar la atención sobre una situación que podría provocar lesiones personales leves o daños en la máquina u otros objetos.



Lea todas las instrucciones antes de utilizar la máquina.

## INSTRUCCIONES GENERALES DE SEGURIDAD

Se incluyen precauciones y advertencias específicas que advierten de los peligros potenciales de daños a la máquina o lesiones personales.

Esta máquina es para uso comercial, por ejemplo en hoteles, colegios, hospitales, fábricas, tiendas y oficinas, y no para usos relacionados con el mantenimiento doméstico.

#### ¡ADVERTENCIA!

- Esta máquina únicamente deben utilizarla personas autorizadas y con la debida formación.
- Esta máquina no debe ser utilizada por personas (incluidos niños) con capacidades físicas, sensoriales o mentales reducidas, o con falta de experiencia y conocimientos.
- Al circular sobre rampas o pendientes, evite las paradas bruscas. Evite las curvas muy cerradas. Circule lentamente al bajar rampas.
- Preste atención al peso bruto del vehículo de la máquina al cargarla, transportarla, elevarla o apoyarla.
- Mantenga las chispas, llamas y materiales de fumadores alejados de las baterías. Durante el funcionamiento normal se desprenden gases explosivos.
- Al recargar las baterías se produce gas de hidrógeno altamente explosivo. Recargue las baterías exclusivamente en zonas bien ventiladas, lejos de llamas sin proteger. No fume mientras recarga las baterías.
- Quítese todas las joyas cuando trabaje cerca de componentes eléctricos.
- Apague el interruptor de llave (O) y desconecte las baterías antes de realizar mantenimiento o reparaciones en los componentes eléctricos.
- Nunca trabaje debajo de una máquina sin colocar antes bloques o soportes de seguridad que sostengan la misma.
- No aplique sustancias limpiadoras inflamables ni utilice la máquina sobre estas sustancias o cerca de ellas, ni tampoco en zonas en las que haya líquidos inflamables.
- No limpie esta máquina con una limpiadora a presión.
- Use solamente los cepillos suministrados junto con el aparato o aquellos especificados en el manual de instrucciones. El uso de otros cepillos puede afectar negativamente a la seguridad.

## PRECAUCIONES Y ADVERTENCIAS - CONTINUACIÓN



### ¡PRECAUCIÓN!

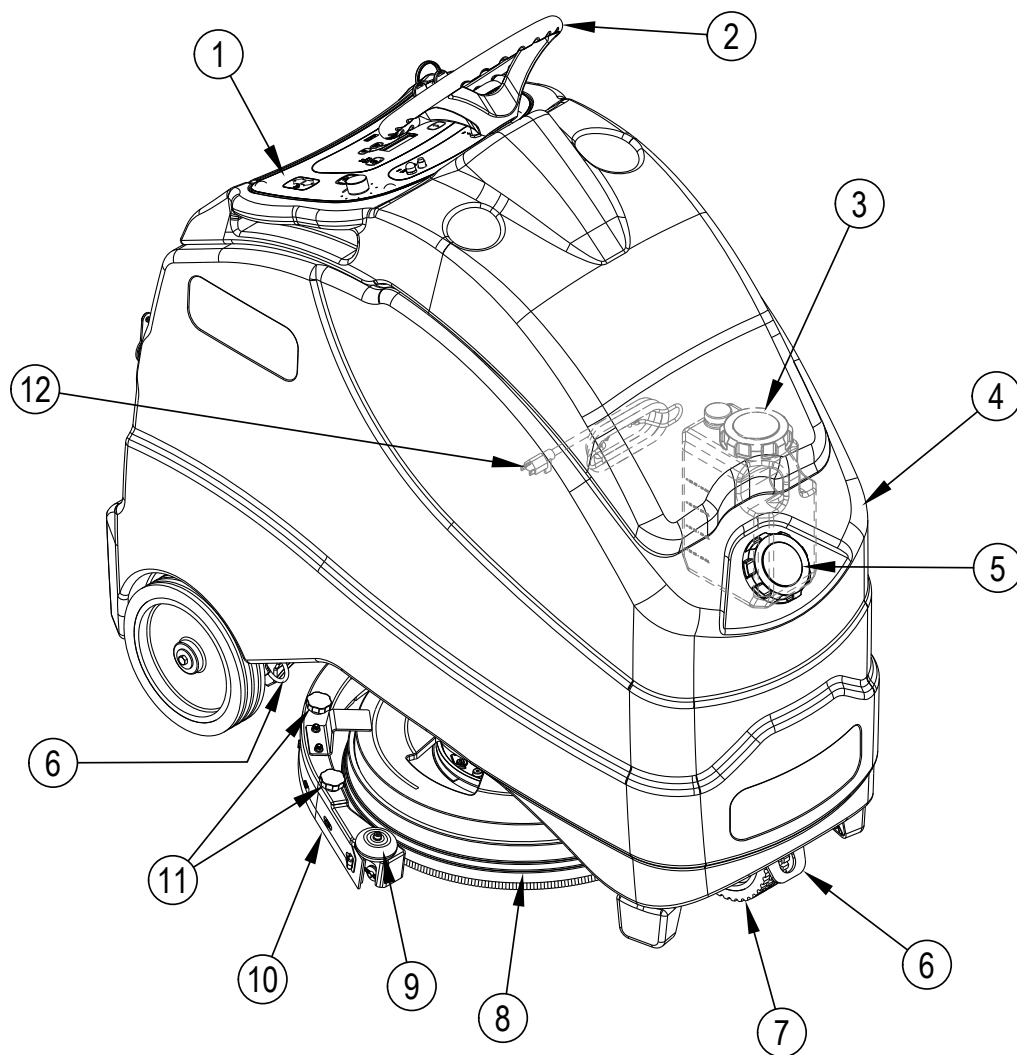
- Esta máquina no ha sido aprobada para su uso en vías públicas.
- Esta máquina no es adecuada para limpiar polvos peligrosos.
- No utilizar discos de escarificación ni piedras abrasivas. No se podrá responsabilizar a Advance de daño alguno a las superficies de los suelos causado por escarificadores o piedras abrasivas (también puede causar daños al sistema de tracción del cepillo).
- Cuando utilice la máquina, asegúrese de que no existe peligro para terceras personas, especialmente niños.
- Antes de realizar cualquier función de mantenimiento o reparación, lea con atención todas las instrucciones relativas a la misma.
- No abandone la máquina sin antes apagar el interruptor de llave (O), retirar la llave y aplicar el freno de estacionamiento.
- Apague el interruptor de contacto (O) y quite la llave antes de cambiar los cepillos y antes de abrir cualquiera de los paneles de acceso.
- Tome las debidas precauciones para evitar que pelo, joyas o prendas amplias queden atrapados entre elementos en movimiento.
- Sea cauto al mover esta máquina con temperaturas bajo cero. El agua de la solución, los depósitos de recuperación o detergente y de las tuberías puede congelarse, causando daños a las válvulas y accesorios. Limpie con limpiaparabrisas.
- Retire las baterías de la máquina antes de su desguace. Las baterías deben desecharse de forma segura, de acuerdo con la reglamentación medioambiental local.
- No utilice la máquina en superficies con pendientes superiores a las indicadas en la máquina.
- Antes de utilizar la máquina, todas las puertas y cubiertas deberían estar colocadas como se indica en el manual de instrucciones.
- Esta máquina sólo debe utilizarse y almacenarse bajo techo.

## GUARDE ESTAS INSTRUCCIONES

## CONOZCA SU MÁQUINA

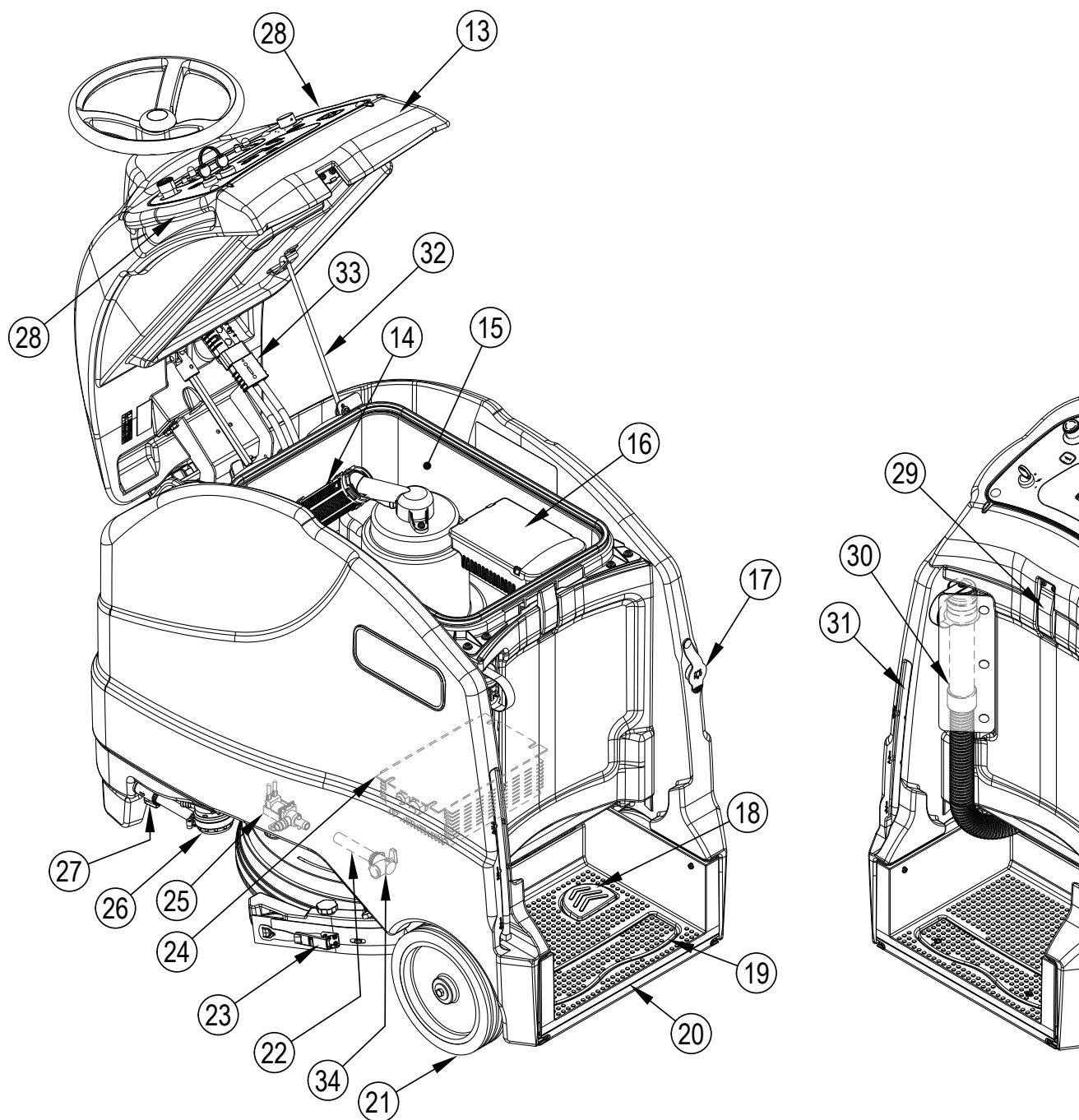
A lo largo de este manual encontrará números o letras en negrita entre paréntesis – por ejemplo: **(2)**. Estos números se refieren a una pieza o componente que se muestra en estas páginas, a menos que se indique lo contrario. Consulte estas páginas siempre que lo necesite para localizar alguna pieza o componente citado en el texto. **NOTA:** Consulte el manual de servicio para obtener explicaciones más detalladas de cada objeto ilustrado en las siguientes 4 páginas.

- 1 Panel de control
- 2 Volante
- 3 Cartucho de detergente
- 4 Depósito de solución
- 5 Tapón de llenado del depósito de solución
- 6 Puntos de sujeción
- 7 Rueda motriz
- 8 Plataforma de limpieza
- 9 Rodillo de la rasqueta
- 10 Conjunto de la rasqueta
- 11 Perillas de cubierta de rasqueta (4)
- 12 Cable de alimentación del cargador a bordo



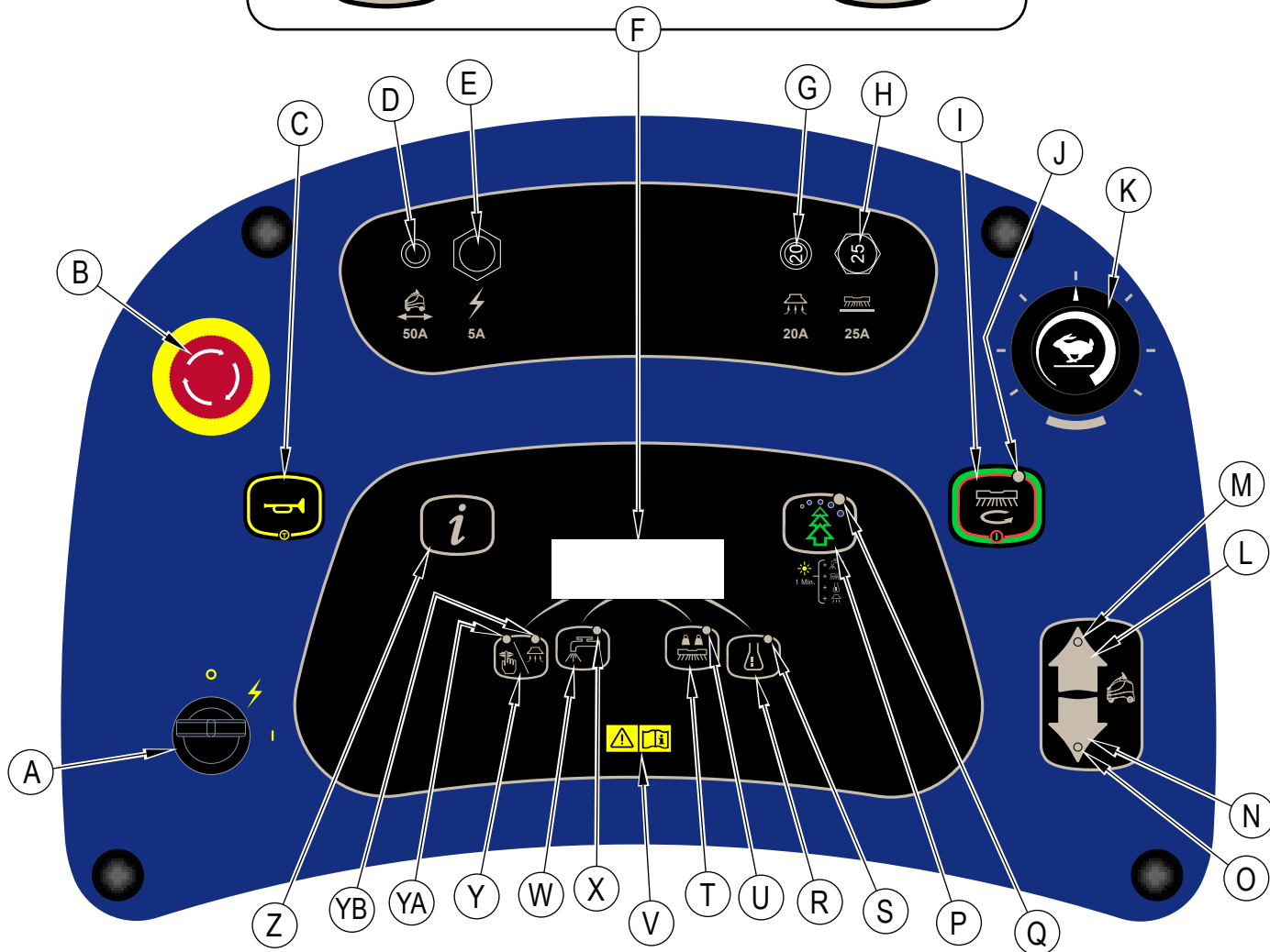
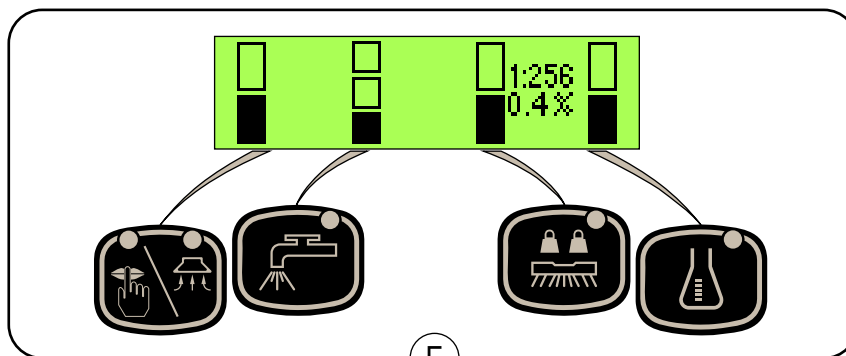
## CONOZCA SU MÁQUINA

- |   |  |
|---|--|
| 13 Tapa del depósito de recuperación / alojamiento del panel de control | 24 Cargador de la batería                                    |
| 14 Flotador de apagado del motor de aspiración automático               | 25 Válvula de solenoide de la solución                       |
| 15 Depósito de recuperación   | 26 Filtro de la solución                                     |
| 16 Bandeja de residuos  | 27 Válvula de cierre de la solución                          |
| 17 Puerto de llenado trasero del depósito de solución                   | 28 Manijas   |
| 18 Pedal de avance  | 29 Pestillo  |
| 19 Pedal de presencia del operador                                      | 30 Tubo de vaciado del depósito de recuperación              |
| 20 Plataforma   | 31 Tubo de indicación visual de nivel del tanque de solución |
| 21 Rueda trasera  | 32 Varilla de apoyo  |
| 22 Tubo de vaciado del depósito de solución                             | 33 Conector de la batería (opcional)                         |
| 23 Pestillo de retirada de la hoja de la rasqueta trasera               | 34 Válvula de drenaje de la solución                         |



### PANEL DE CONTROL

- |   |  |    |  |
|---|--|----|--|
| A | Interruptor de contacto                                | P  | Interruptor de aumento de potencia                       |
| B | Parada de emergencia                                   | Q  | Indicador de aumento de potencia                         |
| C | Interruptor de claxon                                  | R  | Interruptor de nivel de detergente                       |
| D | Disyuntor de la rueda de tracción (50 A)               | S  | Indicador de encendido/apagado de detergente             |
| E | Disyuntor del circuito de control (5 A)                | T  | Interruptor de presión extra                             |
| F | Pantalla gráfica (ver Panel de control – continuación) | U  | Indicador de presión extra                               |
| G | Disyuntor del motor de aspiración (20 A)               | V  | Símbolo de Lea todas las instrucciones antes de utilizar |
| H | Disyuntor del motor del cepillo (25 A)                 | W  | Interruptor de ajuste de cantidad de solución            |
| I | Interruptor de encendido/apagado de fregado One-Touch™ | X  | Indicador de encendido/apagado de solución               |
| J | Indicador de encendido/apagado de fregado              | Y  | Interruptor de ajuste de potencia de aspiración          |
| K | Botón de ajuste de velocidad                           | YA | Indicador de modo silencioso de aspiración               |
| L | Interruptor de avance                                  | YB | Indicador de modo estándar de aspiración                 |
| M | Indicador de avance                                    | Z  | Interruptor de información                               |
| N | Interruptor de marcha atrás                            |    |  |
| O | Indicador de marcha atrás                              |    |  |





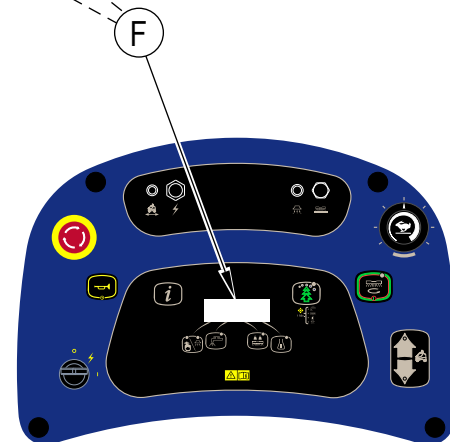
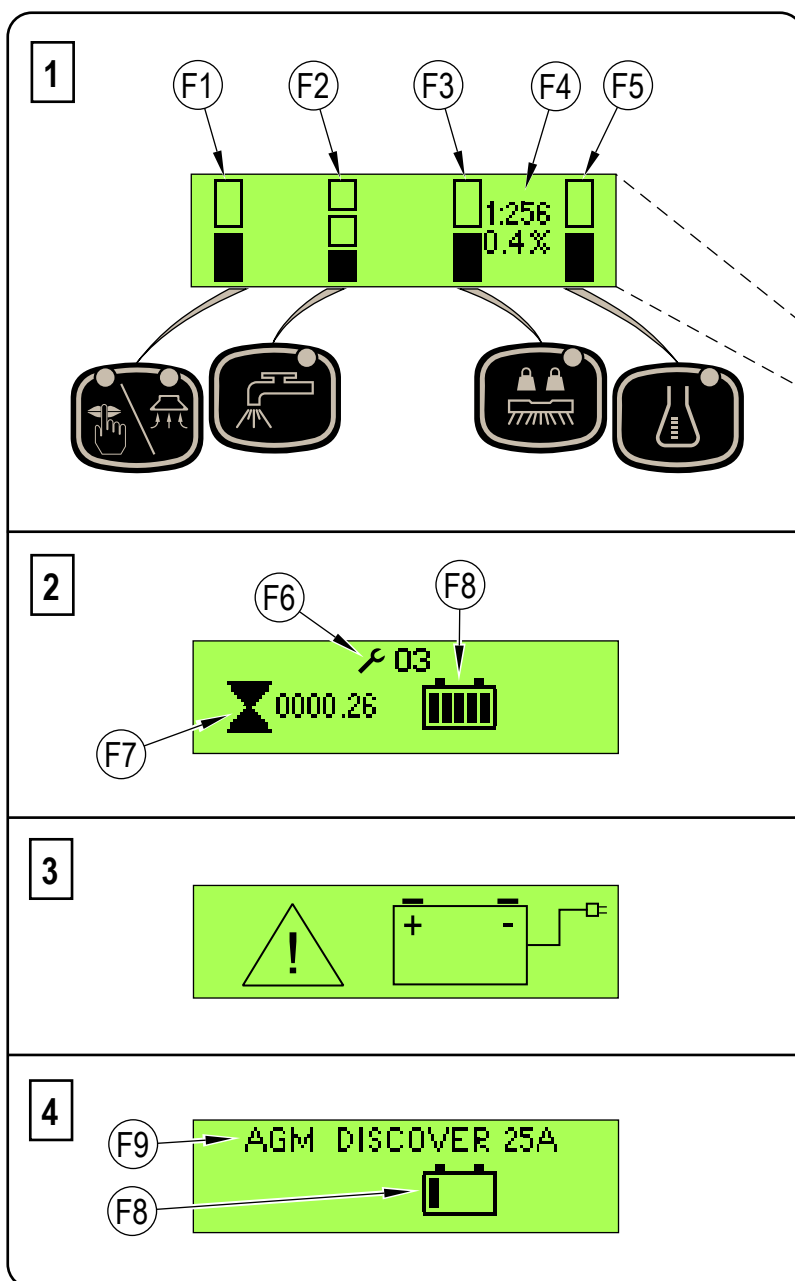
## PANEL DE CONTROL - CONTINUACIÓN

- 1 Pantalla de fregado
- 2 Pantalla de información
- 3 Pantalla de bajo voltaje de baterías
- 4 Pantalla del cargador de baterías

### F Pantalla gráfica

- F1 Gráfico de barras del nivel de aspiración  
SUPERIOR = Alto  
INFERIOR = Bajo  
NINGUNO = Apagado
- F2 Gráfico de barras de flujo de la solución  
SUPERIOR = Alto  
MEDIO = Medio  
INFERIOR = Bajo  
NINGUNO = Apagado

- F3 Gráfico de barras de presión del cepillo de fregado  
SUPERIOR = Presión extra  
INFERIOR = Presión estándar
- F4 Indicador de mezcla/porcentaje de detergente
- F5 Gráfico de barras indicador de detergente  
SUPERIOR = Detergente fuerte  
INFERIOR = Detergente suave  
NINGUNO = Apagado
- F6 Códigos de error
- F7 Contador horario
- F8 Indicador de nivel de carga de las baterías
- F9 Tipo de batería



## BATERÍAS

Si su máquina se entrega con baterías instaladas, realice lo siguiente:

- Compruebe que las baterías estén conectadas a la máquina.
- Encienda el conmutador de llave (A) y compruebe el indicador de batería (F8). Si el indicador está completamente lleno, las baterías están listas para el uso. Si el indicador no está lleno, las baterías deberían cargarse antes de la utilización. Consulte la sección "Recarga de las baterías".
- **¡IMPORTANTE!** SI SU MÁQUINA ESTÁ EQUIPADA CON UN CARGADOR DE BATERÍA A BORDO, CONSULTE EL MANUAL DEL PRODUCTO OEM PARA OBTENER INSTRUCCIONES SOBRE EL AJUSTE DEL CARGADOR PARA EL TIPO DE BATERÍA.

Si su máquina se entrega sin baterías instaladas, realice lo siguiente:

- Consulte con su distribuidor autorizado de Advance en cuanto a las baterías recomendadas.
- Instale las baterías siguiendo las instrucciones indicadas a continuación.
- **NO instale dos baterías de 12 voltios en su máquina. Esto afectará a la estabilidad de la máquina.**
- **¡IMPORTANTE!** SI SU MÁQUINA ESTÁ EQUIPADA CON UN CARGADOR DE BATERÍA A BORDO, CONSULTE EL MANUAL DEL PRODUCTO OEM PARA OBTENER INSTRUCCIONES SOBRE EL AJUSTE DEL CARGADOR PARA EL TIPO DE BATERÍA.

## INSTALACIÓN DE LAS BATERÍAS



### ¡ADVERTENCIA!

Tome las máximas precauciones cuando trabaje con las baterías. El ácido sulfúrico de las baterías puede causar daños graves si entra en contacto con la piel o con los ojos. Desde el interior de las baterías se libera, a través de unas aperturas en las tapas de las baterías, gas explosivo de hidrógeno. Este gas puede incendiarse con cualquier arco eléctrico, chispa o llama. Si el ácido de batería entra en contacto con su piel, enjuague la zona afectada con agua durante 5 minutos y consulte a un médico.

Cuando maneja las baterías...

- Sáquese todas las joyas.
- No fume.
- Lleve gafas de seguridad, un delantal de goma y guantes de goma.
- Trabaje en una zona bien ventilada.
- No permita que las herramientas toquen simultáneamente más de un borne de la batería.
- Al sustituir las baterías, desconecte SIEMPRE en primer lugar el cable (de tierra) negativo para evitar chispas.
- Al instalar las baterías, conecte SIEMPRE el cable negativo al final.



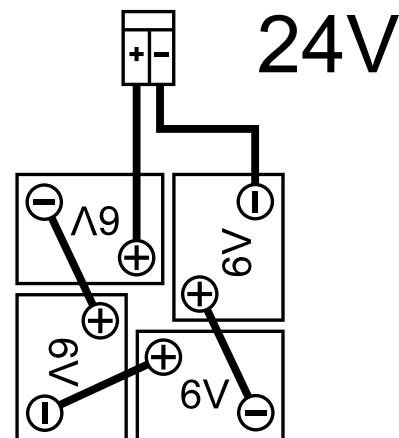
### ¡PRECAUCIÓN!

Los componentes eléctricos de esta máquina pueden dañarse seriamente si las baterías no están instaladas o conectadas correctamente. Las baterías deben ser instaladas por Advance o por un electricista cualificado.

- 1 Vacíe el depósito de recuperación (15) con el tubo de drenaje del depósito de recuperación (30).
- 2 Apague (O) el interruptor de llave (A) y quite la llave. Desenganche (29) y luego abra la tapa del depósito de recuperación (13) y ajuste la varilla de apoyo (32).
- 3 Incline hacia atrás el depósito de recuperación (15) hacia la plataforma del operador para exponer el compartimiento de las baterías.
- 4 Con (2) personas y una correa de elevación apropiada, levante con cuidado las baterías hasta la bandeja del compartimiento, exactamente tal y como se muestra. Consulte el diagrama moldeado en la parte inferior de la tapa del depósito de recuperación.
- 5 **Ver la Figura 1.** Instale los cables de batería tal y como se muestra y apriete las tuercas de los bornes de las baterías.
- 6 Instale los manguitos de las baterías y apriételos bien a los cables de las baterías con las correas de sujeción provistas.
- 7 Conecte los cables de alimentación principal de la máquina a las baterías, o si existe, enchufe el conector de las baterías (33). Cierre la tapa del depósito de recuperación.

Cuando cambie las baterías o el cargador, consulte con su centro local de servicios autorizado los valores correctos para la batería, el cargador y la máquina, a fin de evitar daños a la batería.

FIGURA 1



260A/H-20HR-RATE

## INSTALACIÓN DEL CEPILLO (SISTEMA DE DISCO)

1 Asegúrese de que la plataforma de limpieza (8) se encuentre en posición ELEVADA. Asegúrese de que el interruptor de contacto (A) está apagado (O).



### ¡PRECAUCIÓN!

Apague el interruptor de contacto (O) y quite la llave antes de cambiar el cepillo.

2 Ver la Figura 2. Gire el conjunto de la rasqueta (10) para alejarlo de su lado de la máquina y mejorar el acceso al cepillo, (AA).

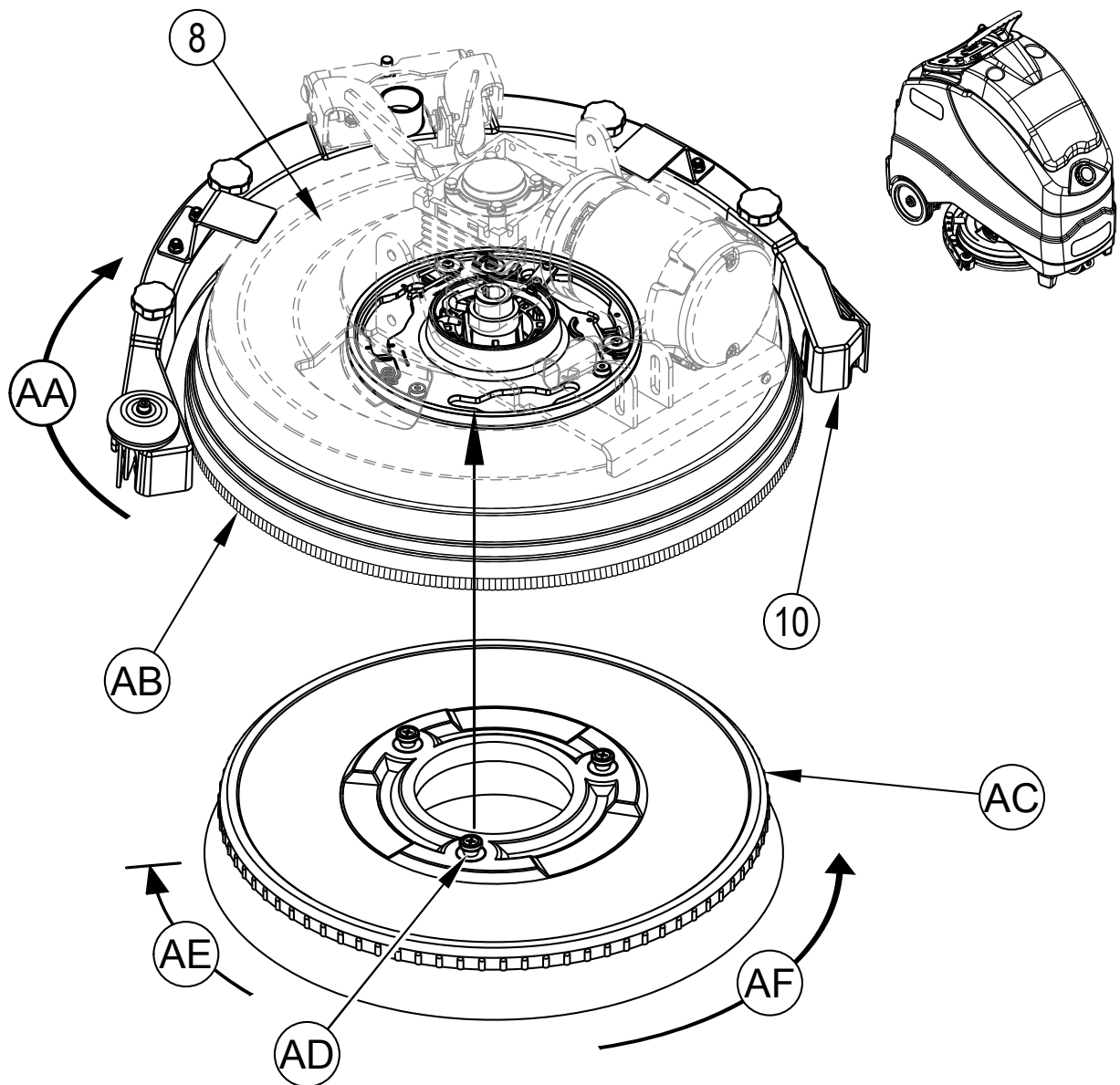
3 Levante la faldilla de la plataforma de limpieza (AB) y deslice el cepillo bajo la plataforma de limpieza.

4 Si utiliza una bayeta, instale la bayeta en el portabayetas.

5 Para montar el cepillo (AC) (o el portabayetas), eleve el cepillo y alinee las lengüetas (AD) del cepillo con las ranuras de la placa de montaje y gire para que se bloquee en su sitio (desde el lado derecho de la máquina, gire el borde exterior del cepillo hacia la parte posterior de la máquina como se muestra (AE)).

**NOTA:** Durante la operación, el cepillo debe girar en la dirección (AF).

FIGURA 2



## INSTALACIÓN DE LA BAYETA (SISTEMA REV)

1 Asegúrese de que la plataforma de limpieza se encuentre en la posición ELEVADA. Asegúrese de que el interruptor de contacto (A) está apagado (O).



### ¡PRECAUCIÓN!

Apague el interruptor de contacto (O) y quite la llave antes de cambiar la bayeta.

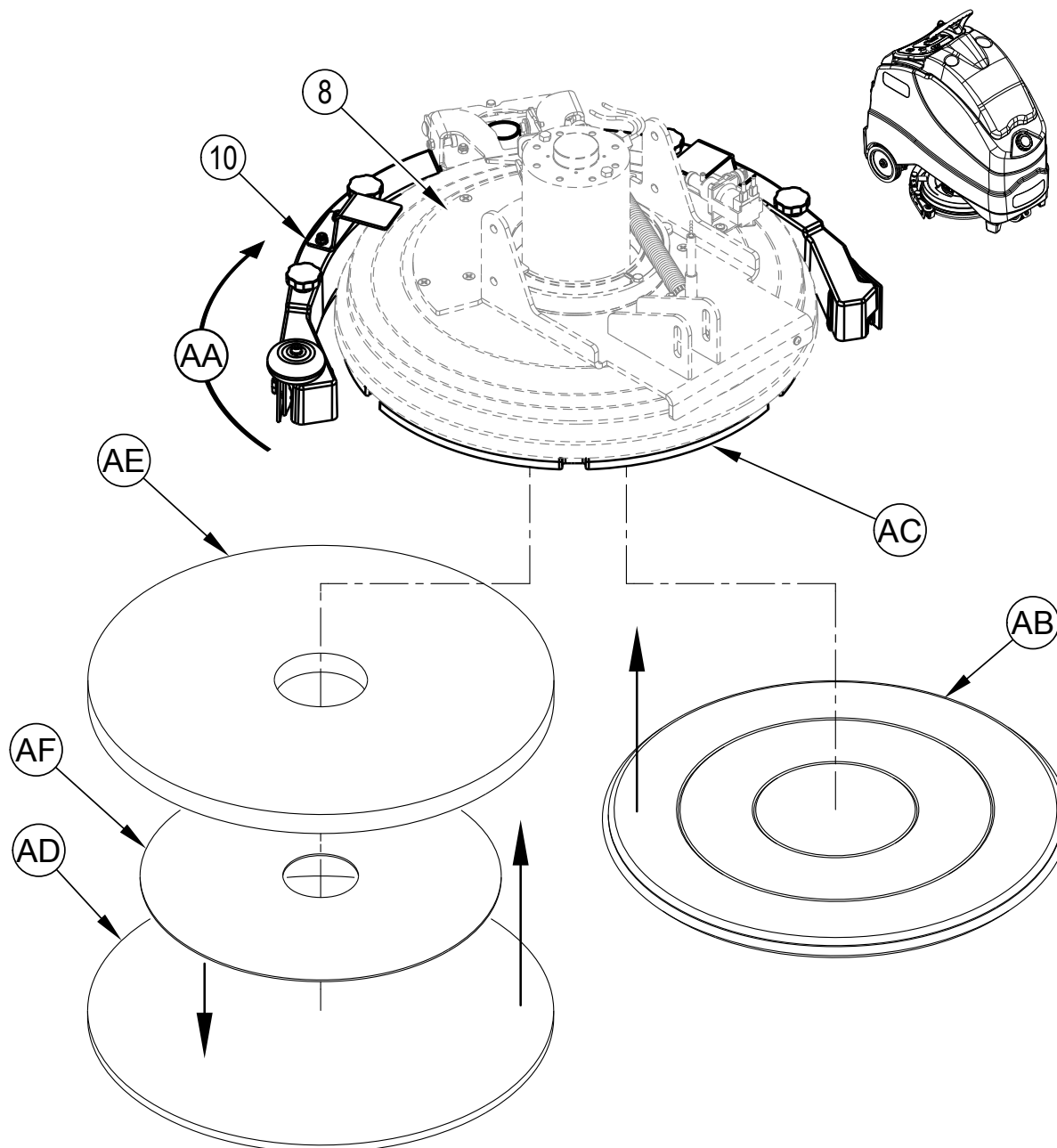
2 **Ver la Figura 3.** Gire el conjunto de la rasqueta (10) para alejarlo de su lado de la máquina y mejorar el acceso a la bayeta, (AA).

3 **Fregado diario:** Deslice una bayeta de fregado diario (AE) o bayeta de microfibra (AB) bajo el motor de bayeta, céntrala en el motor de bayeta fijo (AC) y levántela y presiónela dentro de la superficie con forma de arpón del motor de bayeta.

4 **Desaparición del acabado del suelo:** Instale una nueva bayeta roja (AE) en el motor de bayeta (AC) como se describe arriba en el paso 3. Si usa el velcro de dos caras opcional (AF), colóquelo en el centro de la bayeta SPP marrón (AD), y deslice este conjunto bajo la bayeta roja y céntralo y luego presione hacia arriba para acoplar este conjunto a la bayeta roja. Si no usa el velcro de dos caras opcional, coloque una nueva bayeta roja como se describe arriba en el paso 3 y coloque una nueva bayeta SPP marrón en el piso centrada en la bayeta roja. Baje la plataforma al piso sobre la bayeta SPP marrón y verifique que esté centrada.

**NOTA:** Nunca coloque una bayeta SPP marrón en el motor de bayeta, dado que se dañará el motor de bayeta y se deberá reemplazar.

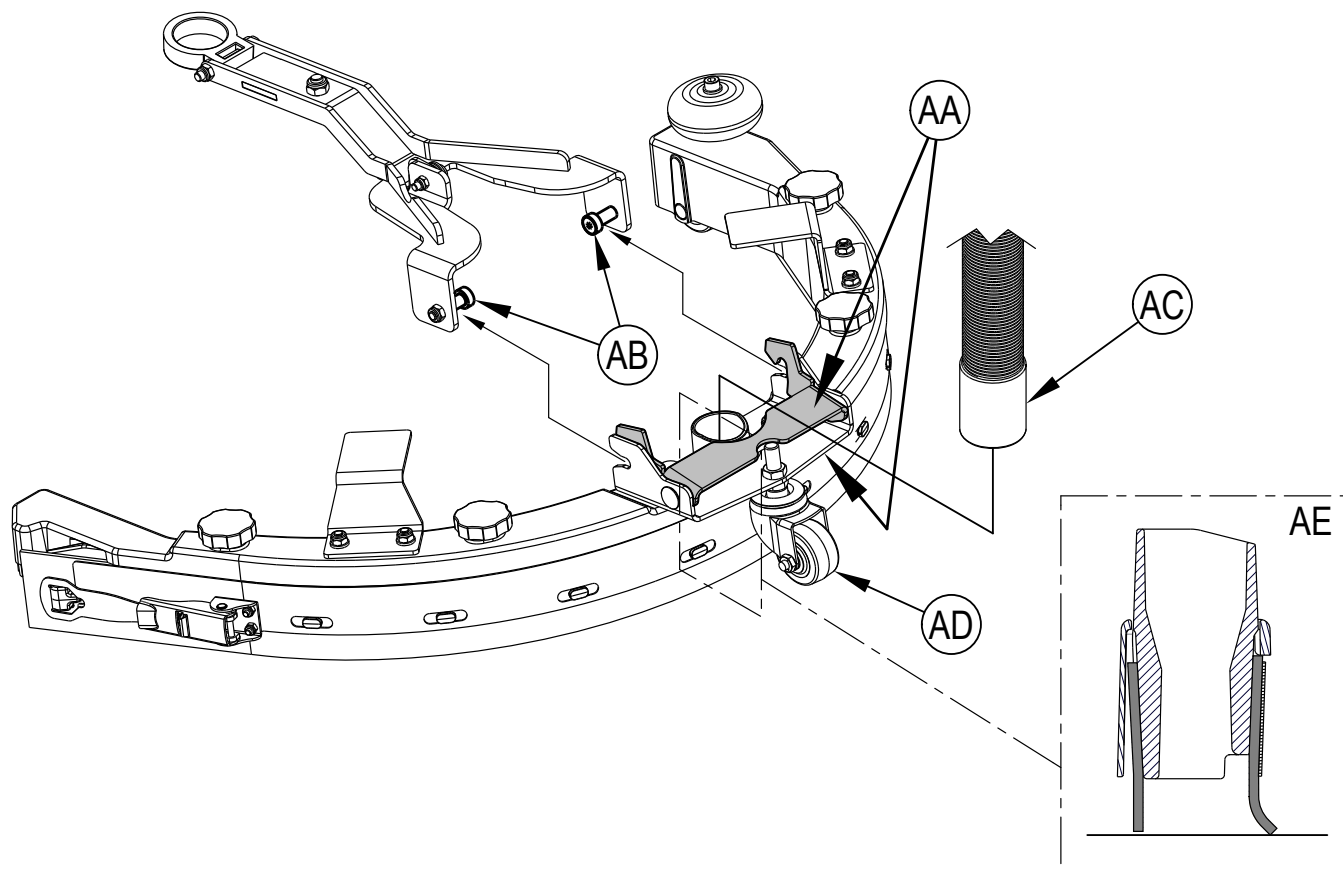
FIGURA 3



## INSTALACIÓN DE LA RASQUETA

- 1 Ver la **Figura 4**. Apriete la parte posterior de la abrazadera de montaje de la rasqueta (**AA**) para abrir y liberar la abrazadera cuando esté en su lugar sobre los pasadores del brazo de la plataforma (**AB**).
- 2 Conecte el tubo de recuperación (**AC**) a la entrada de la rasqueta.
- 3 Baje la plataforma de limpieza y la rasqueta, y desplace la máquina levemente hacia delante. Si es necesario, ajuste la altura de la rasqueta trasera utilizando la rueda de la roldana trasera (**AD**) de manera que la hoja de la rasqueta trasera toque el suelo homogéneamente en toda la anchura y se doble ligeramente como se muestra en la sección transversal de la rasqueta (**AE**).

**FIGURA 4**



## LLENADO DEL DEPÓSITO DE SOLUCIÓN

Lea la etiqueta del producto químico de limpieza y calcule la cantidad adecuada de producto químico que se debe mezclar para un depósito con capacidad de 12 galones de EE.UU. (45 litros).

Abra el tapón de llenado del depósito de solución (5) o el puerto de llenado trasero del depósito de solución (17) y llene 1/3 del depósito de agua. Añada el producto químico de limpieza y llene el depósito todo lo que reste. La cantidad de solución en el depósito se puede observar en el tubo de indicación visual de nivel del tanque de solución (31).



## ¡PRECAUCIÓN!

Utilice únicamente detergentes líquidos no inflamables de bajo poder espumante que estén diseñados para aplicaciones de fregado automático. La temperatura del agua no deberá superar los 130 grados Fahrenheit (55 grados Celsius).

## PREPARACIÓN Y USO DEL SISTEMA DE DETERGENTE (ECOFLEX)

### INSTRUCCIONES COMUNES:

El cartucho de detergente (3) está ubicado debajo del alojamiento del panel de control (13). Llene el cartucho de detergente con 1 galón (4 litros) de detergente como máximo. **NOTA DE SERVICIO:** Retire el cartucho de detergente de la máquina antes de llenarlo para no derramar detergente sobre la máquina.

Se recomienda utilizar un cartucho individual para cada detergente que planea usar. Los cartuchos de detergente tienen una pegatina blanca, de modo que puede escribir el nombre del detergente en cada cartucho para no mezclarlos. Al instalar un nuevo cartucho, retire la tapa de fábrica y coloque el cartucho en la máquina.

Instale la tapa sellada (AA) como se muestra en la **Figura 5**.

Elimine del sistema el detergente utilizado anteriormente antes de cambiar a un detergente diferente. **NOTA DE SERVICIO:** Desplace la máquina sobre un punto de drenaje en el suelo antes de eliminar el detergente porque saldrá una pequeña cantidad durante el proceso.

### Cómo purgar cuando se cambia el detergente (LOS SISTEMAS DE FREGADO Y SOLUCIÓN DEBEN ESTAR APAGADOS):

- 1 Desconecte y retire el cartucho de detergente.
- 2 Gire el interruptor de contacto (A) hasta la posición ON (I). Espere unos pocos segundos hasta que termine la secuencia de encendido.
- 3 Pulse y mantenga pulsado el interruptor de detergente (R) y el interruptor de la solución (W) durante 3 segundos. Suelte los interruptores cuando aparezca en la pantalla el icono de purga de químicos (F10) y comience a destellar el indicador de detergente (S). **NOTA:** una vez activado, el proceso de purga dura como mínimo 10 segundos. Observe los indicadores del sistema de detergente en la ilustración de la página siguiente. Por lo general, un solo ciclo de purga es suficiente para purgar el sistema.

### Cómo purgar semanalmente (LOS SISTEMAS DE FREGADO Y SOLUCIÓN DEBEN ESTAR APAGADOS):

- 1 Desconecte y retire el cartucho de detergente. Instale y conecte un cartucho lleno de agua tibia limpia.
- 2 Siga los pasos 2 y 3 de "Cómo purgar cuando se cambia el detergente".

Cuando el nivel de detergente se acerque a la parte inferior del cartucho, es hora de recargar o sustituir el cartucho.

**NOTA DE SERVICIO:** Siga las instrucciones "Cómo purgar semanalmente" indicadas más arriba toda vez que la máquina vaya a quedar almacenada durante un periodo de tiempo.

### Proporción de detergente (LOS SISTEMAS DE FREGADO Y SOLUCIÓN DEBEN ESTAR ENCENDIDOS):

No se administra detergente hasta que se activan los sistemas de fregado y de detergente, se selecciona la dirección (L) o (N) y se presiona el pedal de avance (18).

- El indicador de mezcla/porcentaje de detergente (F4) siempre se mostrará cuando el sistema de detergente esté encendido.

Existen 4 modos de funcionamiento EcoFlex:

1. *Modo de limpieza sin químicos* - Durante el fregado, el sistema de detergente puede apagarse en cualquier momento para permitir el fregado sólo con agua. Pulse el interruptor de detergente (R) hasta que el indicador de detergente (S) se apague y el gráfico de barras indicador de detergente (F5) muestre las dos casillas vacías.
2. *Modo de detergente suave* - El indicador de detergente (S) está encendido y el gráfico de barras indicador de detergente (F5) muestra la casilla inferior rellena y la superior vacía. Si se presiona el interruptor de detergente (R), se alternará de suave a fuerte y a apagado, y de vuelta a suave, repitiendo la secuencia. Consulte más abajo los pasos sobre "Cómo programar la mezcla/porcentaje de detergente suave".
3. *Modo de detergente fuerte* - El indicador de detergente (S) está encendido y el gráfico de barras indicador de detergente (F5) muestra las dos casillas rellenas. Si se presiona el interruptor de detergente (R), se alternará de suave a fuerte y a apagado, y de vuelta a suave, repitiendo la secuencia. Consulte más abajo los pasos sobre "Cómo programar la mezcla/porcentaje de detergente fuerte". No utilice un nivel de detergente mayor al recomendado por el fabricante del detergente.
4. *Modo de limpieza con aumento de potencia* - Presione el interruptor de aumento de potencia (P) para activar el nivel de detergente fuerte, extra presión de fregado, potencia de aspiración completa y aumentar el flujo de la solución al siguiente nivel disponible de manera provisoria (durante 1 minuto). El indicador de aumento de potencia (Q) parpadeará durante este intervalo de 1 minuto, y luego todos los parámetros de fregado volverán al estado anterior.

### Cómo programar la mezcla/porcentaje de detergente fuerte (ajustar primero)

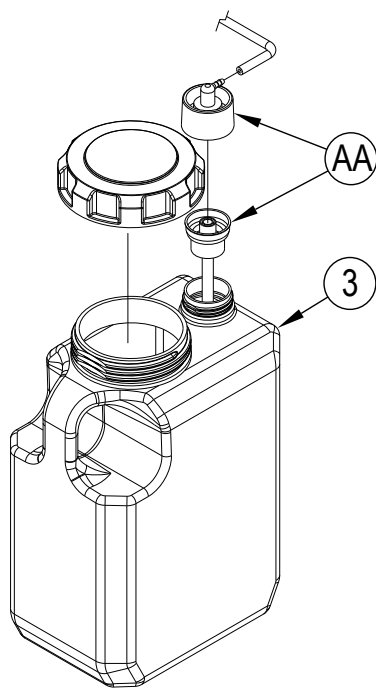
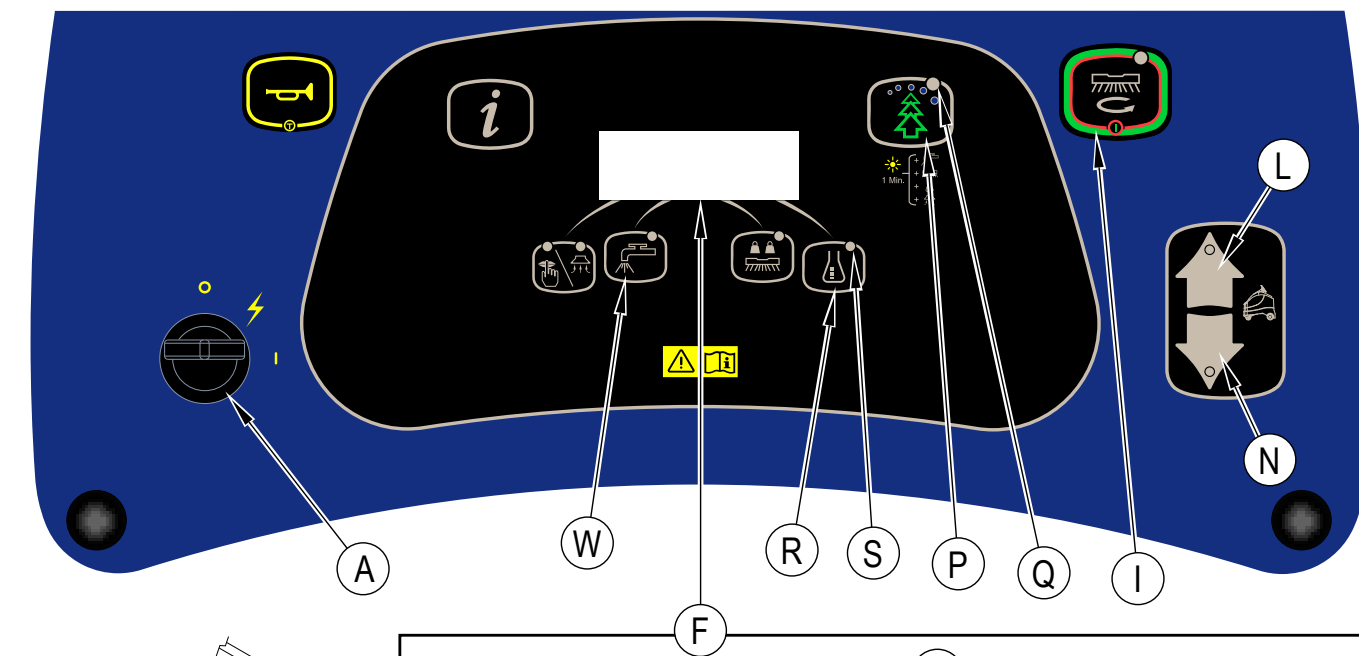
1. Pulse el interruptor de fregado OneTouch™ (I) para activar el sistema de fregado.
2. Pulse el interruptor de detergente (R) hasta que el gráfico de barras (F5) muestre detergente fuerte (las dos casillas rellenas).
3. Pulse y mantenga pulsado el interruptor de detergente (R) nuevamente durante 3 segundos para ingresar al modo de programación. Después de entrar al modo de ajuste de detergente fuerte, la casilla superior de (F5) parpadeará. También empezarán a parpadear la mezcla/porcentaje de detergente (F4) y el indicador (S).
4. Mientras los indicadores estén parpadeando, al presionar y liberar el interruptor de detergente (R), se alternará a través de las opciones. La mezcla y su porcentaje correspondiente se muestran juntos.  
Mezcla = 1:32, 1:50, 1:64, 1:100, 1:128, 1:150, 1:200, 1:256, 1:300, 1:400.  
Porcentaje = 3%, 2%, 1.5%, 1%, 0.8%, 0.66%, 0.5%, 0.4%, 0.3%, 0.25%.
5. Cuando la mezcla/el porcentaje deseado se muestre en la pantalla (F4), pare y guardará el ajuste tras 3 segundos.
6. Si el ajuste suave es actualmente un valor más alto que el nuevo ajuste programado fuerte, el software corregirá automáticamente el ajuste suave para que sea un valor más bajo que el ajuste fuerte.

### Cómo programar la mezcla/porcentaje de detergente suave

1. Pulse el interruptor de fregado OneTouch™ (I) para activar el sistema de fregado.
2. Pulse el interruptor de detergente (R) hasta que el gráfico de barras (F5) muestre detergente suave (la casilla inferior rellena y la superior vacía).
3. Pulse y mantenga pulsado el interruptor de detergente (R) nuevamente durante 3 segundos para ingresar al modo de programación. Después de entrar al modo de ajuste de detergente suave, la casilla inferior de (F5) parpadeará. También empezarán a parpadear la mezcla/porcentaje de detergente (F4) y el indicador (S).
4. Mientras los indicadores estén parpadeando, al presionar y liberar el interruptor de detergente (R), se alternará a través de las opciones disponibles. El ajuste suave debe ser un valor menor o igual al ajuste fuerte, de modo que solamente los valores dentro de ese rango se mostrarán al desplazarse por ellos.
5. Cuando la mezcla/el porcentaje deseado se muestre en la pantalla (F4), pare y guardará el ajuste tras 3 segundos.

PREPARACIÓN Y USO DEL SISTEMA DE DETERGENTE (ECOFLEX)

FIGURA 5



	Purga Presione y mantenga presionados (R) y (W) durante 3 segundos para purgar
	Detergente suave
	Detergente fuerte
	Detergente apagado

## MANEJO DE LA MÁQUINA



### ¡ADVERTENCIA!

Asegúrese de que comprende los controles del operador y sus funciones.

Al circular sobre rampas o pendientes, evite las paradas bruscas. Evite las curvas muy cerradas. Circule lentamente al bajar rampas.

#### Para fregar...

Siga las instrucciones de la sección "Preparación de la máquina para el uso" de este manual.

- 1 **Ver la Figura 6.** Suba a la plataforma (20) comprimiendo el pedal de presencia del operador (19). **NOTA:** No pise el pedal de avance (18) hasta que esté listo para mover la máquina.
- 2 Encienda (I) el interruptor de llave (A). Espere unos pocos segundos hasta que termine la secuencia de encendido. La pantalla gráfica (F) mostrará la pantalla de información [2]. Consulte el indicador de nivel de carga de las baterías (F8) antes de proceder.
- 3 Para transportar la máquina a la zona de trabajo, primero presione el interruptor de avance (L) o el interruptor de marcha atrás (N) para seleccionar la dirección de desplazamiento, y luego presione con el pie el pedal de avance (18). **Característica de seguridad:** Si presiona y mantiene presionado el pedal de avance (18) antes de presionar avance (L) o marcha atrás (N), aparecerá en pantalla un "error 03" (F6) y la máquina no se moverá. Si ocurre esto, alterne el interruptor de llave entre las posiciones OFF y ON para operar la máquina.  
Una alerta audible de la bocina sonará en marcha atrás. Ajuste la velocidad de la máquina girando el botón de ajuste de velocidad (K) en el sentido de las agujas del reloj para ir más rápido o en el sentido contrario para ir más lento.
- 4 Presione y mantenga presionado el interruptor de la solución (W) para prehumedecer el suelo; mientras se mantenga presionado el interruptor, se dispensará solución a la velocidad ALTA. **NOTA:** esto ayuda a evitar la escarificación de la superficie del suelo cuando se empieza a fregar con cepillos secos. Esto puede realizarse solamente antes de pulsar el interruptor de fregado de pulsación única (I).
- 5 Presione el interruptor de fregado de pulsación única (I). La pantalla gráfica (F) cambiará a la pantalla de fregado [1]. La plataforma de limpieza y la rasqueta se bajarán hasta el suelo. Los sistemas de fregado, aspiración, solución y detergente están habilitados y se ponen en marcha cuando se activa el pedal de avance (18). Los parámetros de fregado se alterna entre BAJO, MEDIO, ALTO, APAGADO y de vuelta BAJO. BAJO se indica cuando (F2) muestra la casilla inferior rellena, MEDIO se indica cuando (F2) muestra las casillas inferior y media rellenas, ALTO se indica cuando (F2) muestra las tres casillas rellenas, y APAGADO se indica cuando (F2) muestra las tres casillas vacías.  
**Fregado:** Con cada pulsación del interruptor de presión del cepillo (T) se cambia entre presión ESTÁNDAR (casilla inferior rellena y casilla superior vacía en (F3)) y presión EXTRA (ambas casillas rellenas en (F3)). El sistema de fregado puede apagarse solamente pulsando el interruptor de fregado de pulsación única (I).  
**Solución:** La tasa de flujo de la solución puede cambiarse independientemente de la presión de fregado presionando el interruptor de la solución (W). Con cada pulsación del interruptor se alterna entre BAJO, MEDIO, ALTO, APAGADO y de vuelta BAJO. BAJO se indica cuando (F2) muestra la casilla inferior rellena, MEDIO se indica cuando (F2) muestra las casillas inferior y media rellenas, ALTO se indica cuando (F2) muestra las tres casillas rellenas, y APAGADO se indica cuando (F2) muestra las tres casillas vacías.  
**Aspiración:** El nivel de aspiración puede cambiarse independientemente. Con cada pulsación del interruptor de aspiración (Y) se alterna entre BAJA, ALTA, APAGADA y de vuelta BAJA. BAJA se indica cuando el gráfico de barras del nivel de aspiración (F1) muestra la casilla inferior rellena, ALTA se indica cuando (F1) muestra ambas casillas rellenas. APAGADA se indica cuando (F1) muestra las dos casillas vacías. **NOTA:** Para recoger solución sin fregar, presione el interruptor de aspiración (Y) en modo transporte. Esto hará que la rasqueta baje y que el motor de aspiración se encienda al nivel BAJO.  
**Detergente:** Consulte "Preparación y uso del sistema de detergente (EcoFlex)" para información más detallada acerca del ajuste y el uso del sistema de detergente.
- 6 **Fregado diario:** Empiece a fregar conduciendo la máquina hacia delante en línea recta a una velocidad segura y solape cada trayectoria 2-3 pulgadas (50-75 mm). Ajuste la velocidad de la máquina, la presión de fregado, el flujo de la solución y el nivel de detergente cuando sea necesario según el estado del suelo. **NOTA:** La velocidad de la máquina se puede ajustar girando el botón de ajuste de velocidad (K) en el sentido de las agujas del reloj para ir más rápido o en el sentido contrario para ir más lento.  
**Desaparición del acabado del suelo (solamente modelo REV):** Asegúrese de que haya una bayeta roja colocada directamente en el motor de bayeta fijo y de que la bayeta SPP marrón no esté colocada en el motor de bayeta fijo. Ajuste los parámetros de fregado de la siguiente manera: Ajuste el potenciómetro de velocidad de la máquina a una velocidad de fregado lento aproximadamente como la que se muestra en la Figura 6 (K). Ajuste el flujo de la solución a bajo, la presión de fregado a alta y apague el detergente. La potencia de aspiración se puede ajustar en baja o alta.
- 7 Presione el interruptor de aumento de potencia (P) para activar el nivel de detergente fuerte, extra presión de fregado, potencia de aspiración completa y aumentar el flujo de la solución al siguiente nivel disponible de manera provisoria (durante 1 minuto). El indicador de aumento de potencia (Q) parpadeará durante este intervalo de 1 minuto, y luego todos los parámetros de fregado volverán al estado anterior.



### ¡PRECAUCIÓN!

Para evitar dañar el piso, sólo arranque y detenga la función de fregado mientras la máquina esté en movimiento.

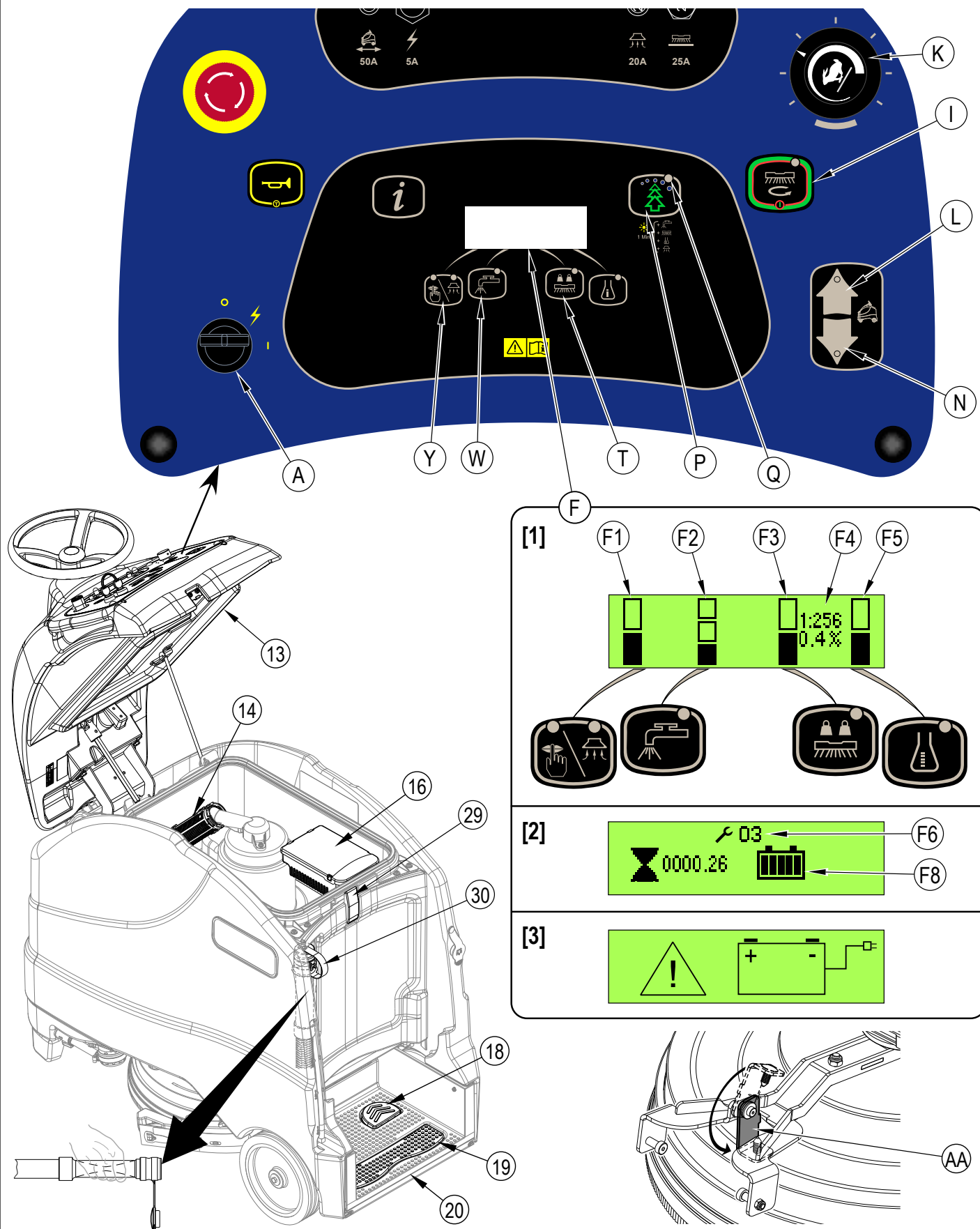
- 8 Cuando friegue, compruebe de vez en cuando que detrás de la máquina se está recogiendo el agua residual. Si queda agua en la trayectoria de la máquina, puede que esté aplicando demasiada solución, que el depósito de recuperación esté lleno o que la rasqueta necesite un ajuste.
- 9 Para los suelos muy sucios, puede que una operación de fregado de una sola pasada no sea suficiente y que se necesite un "doble fregado". Esta operación es igual al fregado de una sola pasada, salvo que en la primera pasada la rasqueta está elevada. Levante el conjunto de la rasqueta y gire la abrazadera de doble fregado (AA) hacia abajo, para sostener la rasqueta fuera del suelo. Esto permite que la solución de limpieza permanezca en el suelo y actúe más tiempo. La última pasada se hace en la misma zona, con la rasqueta bajada para recoger la solución acumulada.
- 10 El depósito de recuperación tiene flotador de apagado (14) que modifica la altura en el motor de aspiración. Hay que vaciar el depósito de recuperación cuando se activa este flotador. La máquina no recogerá el agua si el flotador está activado.
- 11 Cuando el operador desee dejar de fregar:  
Presione el interruptor de fregado de pulsación única (I) una vez. Esto detendrá automáticamente los cepillos de fregado y el flujo de solución, y la plataforma de limpieza se elevará. La rasqueta se levantará con la plataforma de limpieza y la aspiración se detendrá tras un breve intervalo de tiempo (esto es así para que se pueda recoger el agua que haya podido quedar sin tener que volver a encender la aspiración). Si se presiona el interruptor de aspiración durante este intervalo, la aspiración se apagará.
- 12 Conduzca la máquina a un LUGAR establecido para la ELIMINACIÓN de aguas residuales y vacíe el depósito de recuperación. Para vaciarlo, tire de la tubería de drenaje del depósito de recuperación (30) para sacarla de su lugar posterior de almacenamiento y desenrosque la tapa (sostenga el extremo de la tubería por encima del nivel de agua para evitar el flujo súbito e incontrolado de agua residual). Para regular el flujo, puede apretar el tubo de vaciado. Desenganche (29) y abra la tapa del depósito de recuperación (13) e inspeccione y vacíe la bandeja de residuos (16) en el depósito de recuperación. Vuelva a llenar el depósito de solución y siga fregando.

**NOTA:** Asegúrese de que la tapa del depósito de recuperación (13) y el tapón del tubo de vaciado del depósito de recuperación (30) estén bien asentados o la máquina no recogerá el agua correctamente.

Cuando sea necesario recargar las baterías, aparecerá la pantalla de bajo voltaje de baterías [3]. Luego se detendrán los cepillos de fregado y el flujo de solución, y la plataforma de limpieza se elevará. Cuando el voltaje de la batería disminuya más allá de un segundo nivel de corte, la rasqueta se elevará y la aspiración se parará transcurrido un breve intervalo. Lleve la máquina a una zona de mantenimiento y recargue las baterías de acuerdo con las instrucciones de la sección de baterías de este manual.



FIGURA 6



## DESPUÉS DE LA UTILIZACIÓN

- 1 Cuando acabe de fregar, pulse el interruptor de fregado de pulsación única (I); esto hará que se eleven, se retraigan y se detengan todos los sistemas de la máquina (cepillo, rasqueta, aspiración, solución y detergente). A continuación conduzca la máquina a la zona de mantenimiento para el mantenimiento diario y la revisión de otros servicios necesarios.
- 2 Para vaciar el depósito de la solución:
 

Dirija el tubo de drenaje del depósito de la solución (22) hacia un "LUGAR DE ELIMINACIÓN" designado y abra la válvula de drenaje de la solución (34). El depósito también se puede drenar cerrando la válvula de cierre de la solución (27) y quitando el tapón del filtro de la solución (26). Luego abra la válvula de cierre de la solución para drenar la solución a través del filtro. Enjuague el depósito con agua limpia.
- 3 Para vaciar el depósito de recuperación, retire el tubo de vaciado del depósito de recuperación (30) de su zona de almacenamiento. Dirija el tubo al lugar establecido para la eliminación de residuos y desatornille el tapón (sostenga el extremo del tubo por encima del nivel de agua en el depósito para evitar un flujo súbito e incontrolado de agua residual). Desenganche (29) y abra la tapa del depósito de recuperación (13) y ajuste la varilla de apoyo (32). Inspeccione y vacíe la bandeja de residuos (16) en el depósito de recuperación. Enjuague el depósito con agua limpia.
- 4 Retire el cepillo o el portabayetas. Aclare el cepillo o la bayeta con agua templada y tiéndalos para que sequen.
- 5 Retire la rasqueta, enjuáguela con agua templada y tiéndala para que seque.
- 6 Compruebe el programa de mantenimiento que viene a continuación y realice cualquier operación de mantenimiento necesaria antes de guardar la máquina.
- 7 Almacene la máquina en un lugar interior, limpio y seco. Protéjala frente a la congelación. Deje los depósitos abiertos para airearlos.
- 8 Apague (O) el interruptor de llave (A) y quite la llave.
- 9 Las baterías son el elemento de reemplazo más caro de esta máquina. Para proteger su inversión y obtener la mayor cantidad posible de ciclos de las baterías, recuerde lo siguiente:
  - Las baterías durarán más si se mantienen completamente cargadas.
  - Las baterías entregadas con esta máquina no desarrollan memoria.
  - Las baterías durarán más y ofrecerán más ciclos si se cargan cada vez que existe la oportunidad.
  - Los cargadores no cargarán las baterías por demás ni de menos.
  - Las baterías fallarán prematuramente si se almacenan descargadas.
  - Cuando la máquina no esté en uso, enchúfela para cargar las baterías.
  - Cada día después del uso, el cargador de baterías se debe enchufar y se debe permitir que recorra una secuencia de carga completa para cargar las baterías completamente.

## PROGRAMA DE MANTENIMIENTO

OPERACIÓN DE MANTENIMIENTO	Diario	Semanal	Mensual	Anual
Recarga de baterías	X			
Limpiar e inspeccionar depósitos y tubos	X			
Comprobar y limpiar los cepillos y las bayetas	X			
Comprobar y limpiar la rasqueta	X			
Limpiar e inspeccionar el flotador de cierre de la aspiración	X			
Vacíe/limpie la bandeja de residuos en el depósito de recuperación	X			
Comprobar el nivel de agua de todas las celdas de las baterías		X		
Inspeccionar la faldilla contenedoras de fregado		X		
Inspeccionar y limpiar el filtro de la solución		X		
Purgar el sistema de detergente		X		
Lubricación de la máquina			X	
*Verificar los cepillos de carbono				X

\* Haga que un Centro de Servicio Autorizado de Advance revise las escobillas de carbono del motor de aspiración una vez al año o transcurridas 300 horas de funcionamiento. Se debe revisar las escobillas de carbono de los motores de tracción y fregado cada 500 horas o una vez al año.

## LUBRICACIÓN DE LA MÁQUINA

Aplicar grasa a (o engrasar los accesorios) (AA):

Use el tipo de grasa Lubriplate® 730-2 o equivalente

- Cadena de dirección
- Rueda de la rueda de tracción
- Rueda dentada de la cadena de tracción (engrasar accesorio)
- Eje de dirección (tubo del conjunto de dirección)

Una vez al mes, aplique aceite ligero de máquina para lubricar lo siguiente (AB):

- Juntas universales del eje de dirección

FIGURA 7

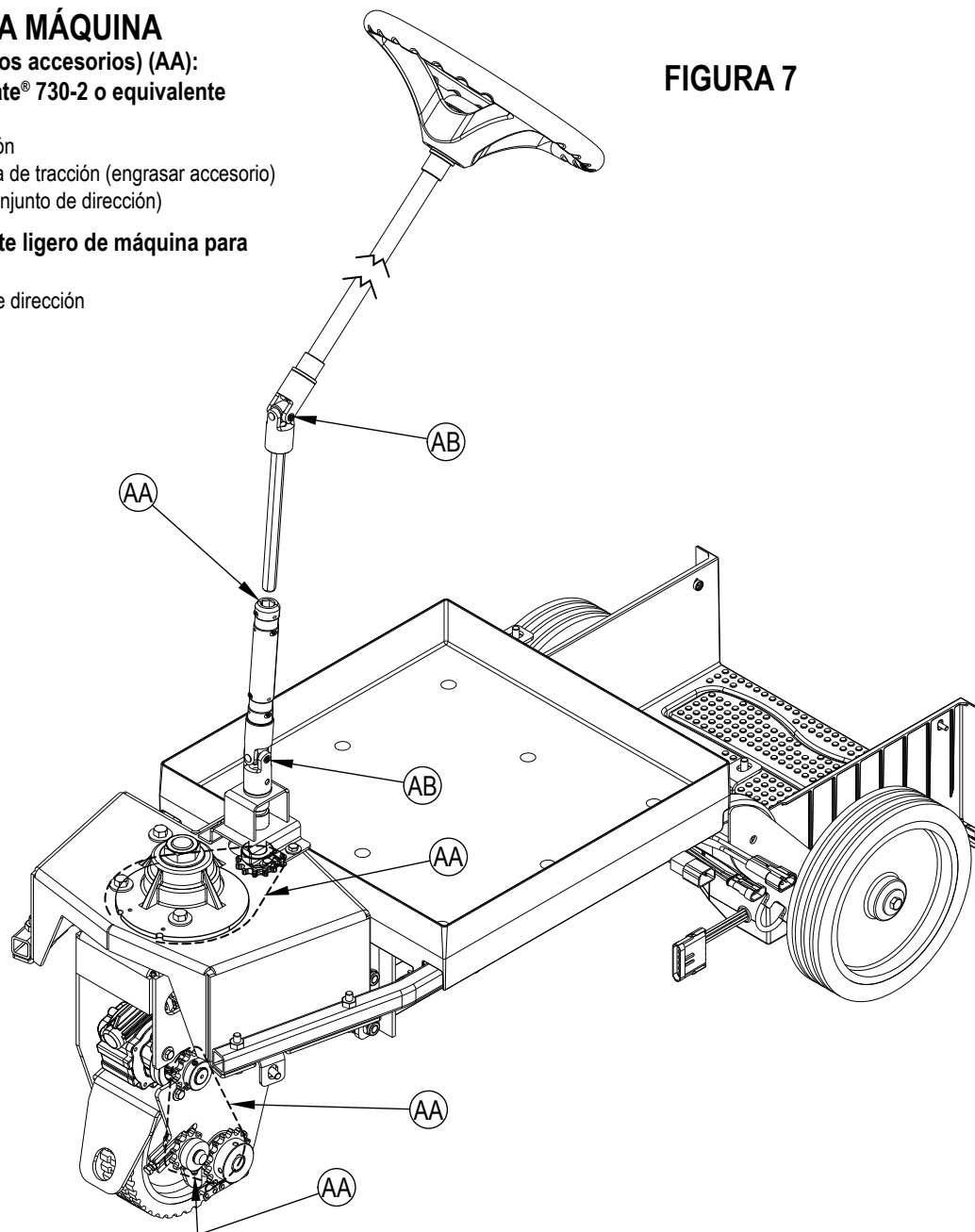
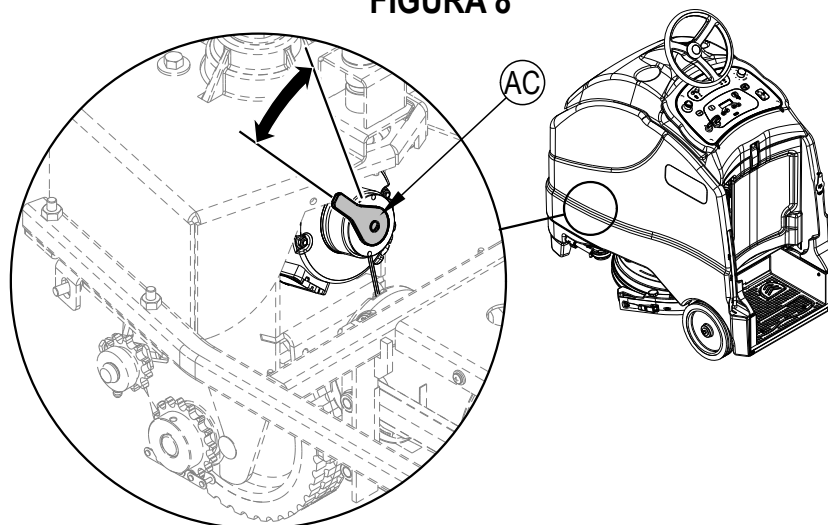


FIGURA 8

## FRENO ELECTROMAGNÉTICO

Ver la Figura 8. El motor de la rueda motriz tiene un freno electromagnético integrado que se activa siempre que el conmutador de llave (A) esté apagado o el pedal de avance (18) no esté presionado, con la máquina en la posición neutra. Este freno puede desactivarse manualmente cuando sea necesario pasando la mano por la parte posterior de la rueda motriz delantera y girando el brazo de freno (AC) como se muestra. Esto sólo debe realizarse en caso de que necesite empujar o tirar de la unidad. Recuerde volver a enganchar el brazo de freno después de terminar de mover la máquina. **NOTA:** Gire la rueda motriz 45° a la derecha para facilitar el acceso al brazo de freno.



## RECARGA DE BATERÍAS HÚMEDAS

Recargue las baterías cada vez que se utilice la máquina o cuando el indicador de nivel de carga de las baterías (F8) presente un nivel inferior al de carga completa.

### ¡ADVERTENCIA!

No rellene las baterías antes de recargarlas. Verifique que sólo las placas estén cubiertas.

Recargue las baterías exclusivamente en una zona bien ventilada. Si el ácido de batería entra en contacto con su piel, enjuague la zona afectada con agua durante 5 minutos y consulte a un médico.

No fume mientras maneja las baterías.

**Cuando maneja las baterías...**

- \* Qítense todas las joyas
- \* No fume
- \* Lleve gafas de seguridad, un delantal de goma y guantes de goma
- \* Trabaje en una zona bien ventilada
- \* No permita que las herramientas toquen simultáneamente más de un borne de la batería
- \* Al sustituir las baterías, desconecte SIEMPRE en primer lugar el cable (de tierra) negativo para evitar chispas.
- \* Al instalar las baterías, conecte SIEMPRE el cable negativo al final.

**Si su máquina está equipada con cargador de baterías a bordo, realice lo siguiente:**

- 1 Apague el interruptor de llave (A).
- 2 **Ver la Figura 9.** Abra el alojamiento del panel de control (13) y ajuste la varilla de apoyo (32).
- 3 Vacíe el depósito de recuperación (15) con el tubo de drenaje del depósito de recuperación (30). Inclíne hacia atrás el depósito de recuperación (15) para una ventilación adecuada.
- 4 Desenrolle el cable eléctrico para el cargador de a bordo cerca de la parte delantera de la máquina y enchúfelo en una toma de corriente con la puesta a tierra adecuada. Consulte el manual del producto OEM para obtener instrucciones de funcionamiento más detalladas. **NOTA:** La pantalla del cargador de baterías [4] se mostrará en la pantalla gráfica (F) mientras se aplica alimentación de CA al cargador a bordo (y durante este tiempo todas las funciones de la máquina están inhabilitadas). La pantalla mostrará el indicador de nivel de carga de las baterías (F8) y el tipo de batería (F9).
- 5 El indicador de nivel de carga de las baterías (F8) se muestra cuando las baterías se terminaron de cargar.

**Si su máquina se entrega sin cargador de baterías a bordo, realice lo siguiente:**

- 1 Apague el interruptor de llave (A).
- 2 **Ver la Figura 9.** Abra el alojamiento del panel de control (13) y ajuste la varilla de apoyo (32).
- 3 Vacíe el depósito de recuperación (15) con el tubo de drenaje del depósito de recuperación (30). Inclíne hacia atrás el depósito de recuperación (15) para una ventilación adecuada.
- 4 Desconecte las baterías de la máquina e introduzca el conector del cargador en el conector de las baterías de la máquina (33). Siga las instrucciones que aparecen encima del cargador de las baterías. **NOTA DE SERVICIO:** Asegúrese de que enchufa el cargador de baterías en el conector que se acopla a las baterías.

### ¡PRECAUCIÓN!

Para evitar daños a la superficie del suelo, limpie siempre el agua y el ácido de la parte superior de las baterías después de la recarga. Una recarga insuficiente o excesiva reducirá la vida útil de la batería y limitará sus prestaciones. ¡Asegúrese de SEGUIR AL PIE DE LA LETRA LAS INSTRUCCIONES DE RECARGA!

## COMPROBACIÓN DEL NIVEL DE AGUA DE LAS BATERÍAS

Compruebe el nivel de agua de las baterías al menos una vez a la semana.

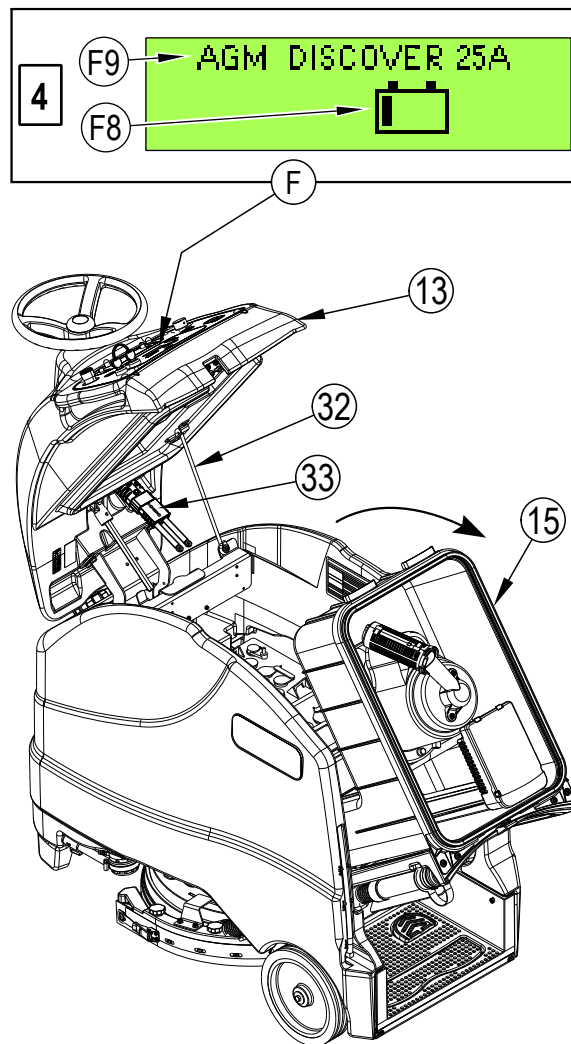
Retire las tapas de ventilación y verifique el nivel de agua de cada celda de la batería. Utilice agua destilada o desmineralizada en un dispensador de relleno de baterías (disponible en la mayoría de las tiendas de materiales para coches) para llenar todas las celdas hasta el indicador de nivel (o hasta 10 mm por encima de la parte superior de los separadores). ¡NO rellene demasiado las baterías!

### ¡PRECAUCIÓN!

Si las baterías están demasiado llenas se puede salpicar ácido al suelo.

Apriete las cubiertas de ventilación. Limpie las partes superiores de las baterías con una solución de levadura química y agua (2 cucharadas de levadura química en 1 litro de agua).

FIGURA 9



## RECARGA DE BATERÍAS DE GEL/AGM (VRLA)

Recargue las baterías cada vez que se utilice la máquina o cuando el indicador de nivel de carga de las baterías (F8) presente un nivel inferior al de carga completa.

### ⚠ ¡ADVERTENCIA!

Recargue las baterías exclusivamente en una zona bien ventilada. Si el ácido de batería entra en contacto con su piel, enjuague la zona afectada con agua durante 5 minutos y consulte a un médico.

No fume mientras maneja las baterías.

**Cuando maneja las baterías...**

- \* Qítense todas las joyas
- \* No fume
- \* Lleve gafas de seguridad, un delantal de goma y guantes de goma
- \* Trabaje en una zona bien ventilada
- \* No permita que las herramientas toquen simultáneamente más de un borne de la batería
- \* Al sustituir las baterías, desconecte SIEMPRE en primer lugar el cable (de tierra) negativo para evitar chispas.
- \* Al instalar las baterías, conecte SIEMPRE el cable negativo al final.

### ⚠ ¡PRECAUCIÓN!

La batería de plomo ácido con regulación de tensión (VRLA) ofrece una vida útil y unas prestaciones superiores ¡SÓLO SI SE RECARGA CORRECTAMENTE! Una recarga insuficiente o excesiva reducirá la vida útil de la batería y limitará sus prestaciones. ¡Asegúrese de SEGUIR AL PIE DE LA LETRA LAS INSTRUCCIONES DE RECARGA! ¡NO INTENTE ABRIR ESTA BATERÍA! Si la batería VRLA se abre, pierde su presión y las placas se contaminan de oxígeno. LA GARANTÍA QUEDA ANULADA SI LA BATERÍA SE ABRE.

**Si su máquina está equipada con cargador de baterías a bordo, realice lo siguiente:**

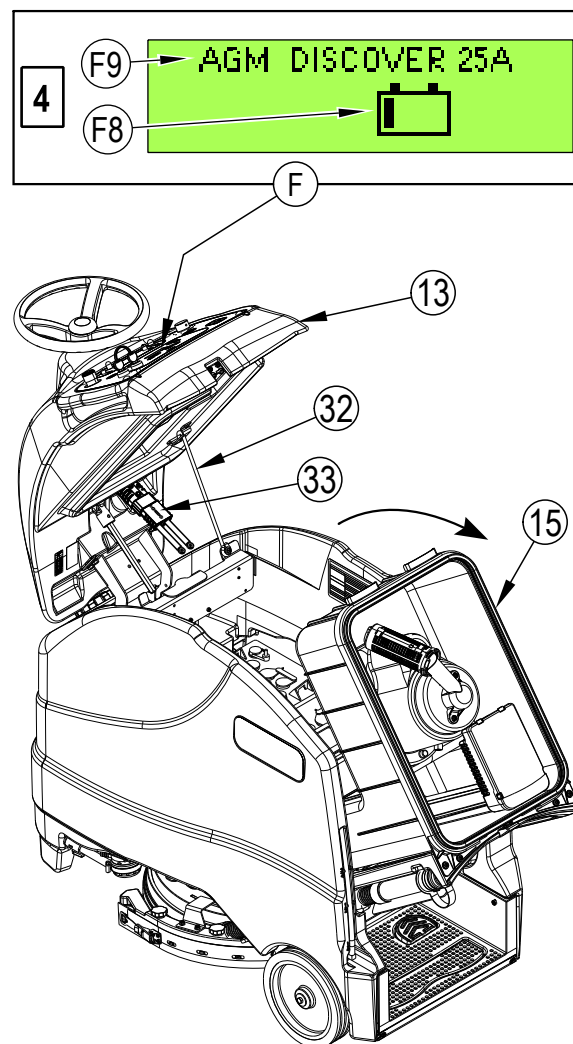
- 1 Apague el interruptor de llave (A).
- 2 **Ver la Figura 9.** Abra el alojamiento del panel de control (13) y ajuste la varilla de apoyo (32).
- 3 Vacíe el depósito de recuperación (15) con el tubo de drenaje del depósito de recuperación (30). Inclíne hacia atrás el depósito de recuperación (15) para una ventilación adecuada.
- 4 Desenrolle el cable eléctrico para el cargador de a bordo cerca de la parte delantera de la máquina y enchúfelo en una toma de corriente con la puesta a tierra adecuada. Consulte el manual del producto OEM para obtener instrucciones de funcionamiento más detalladas. **NOTA:** La pantalla del cargador de baterías [4] se mostrará en la pantalla gráfica (F) mientras se aplica alimentación de CA al cargador a bordo (y durante este tiempo todas las funciones de la máquina están inhabilitadas). La pantalla mostrará el indicador de nivel de carga de las baterías (F8) y el tipo de batería (F9).
- 5 El indicador de nivel de carga de las baterías (F8) se muestra cuando las baterías se terminaron de cargar.

**Si su máquina se entrega sin cargador de baterías a bordo, realice lo siguiente:**

- 1 Apague el interruptor de llave (A).
- 2 **Ver la Figura 9.** Abra el alojamiento del panel de control (13) y ajuste la varilla de apoyo (32).
- 3 Vacíe el depósito de recuperación (15) con el tubo de drenaje del depósito de recuperación (30). Inclíne hacia atrás el depósito de recuperación (15) para una ventilación adecuada.
- 4 Desconecte las baterías de la máquina e introduzca el conector del cargador en el conector de las baterías de la máquina (33). Siga las instrucciones que aparecen encima del cargador de las baterías. **NOTA DE SERVICIO:** Asegúrese de que enchufa el cargador de baterías en el conector que se acopla a las baterías.

**IMPORTANTE:** Asegúrese de que dispone de un cargador adecuado para su uso con baterías de celdas de gel. Utilice únicamente cargadores de "regulación de tensión" o de "limitación de tensión". NO DEBEN utilizarse cargadores de corriente variable o de corriente constante estándar. Se recomienda el uso de un cargador sensible a la temperatura, dado que los ajustes manuales nunca son precisos y dañarán cualquier batería VRLA.

FIGURA 9



## MANTENIMIENTO DE LA RASQUETA

Si la rasqueta deja bandas estrechas de agua, puede que las hojas estén sucias o dañadas. Retire la rasqueta, aclárela con agua tibia e inspeccione las hojas. Invierta las hojas o sustitúyalas si están cortadas, rasgadas, onduladas o desgastadas.

### Para invertir o sustituir la hoja secadora de la rasqueta trasera...

- 1 Ver la **Figura 10**. Eleve la plataforma y la rasqueta del suelo y a continuación abra el pestillo de retirada de la hoja de la rasqueta trasera (**23**) en la rasqueta.
- 2 Retire la correa de tensión (**AA**).
- 3 Deslice la hoja posterior (**AB**) para sacarla de las clavijas de alineación.
- 4 La hoja de la rasqueta tiene 4 bordes de trabajo. Gire la hoja de manera que un borde limpio e intacto apunte hacia la parte frontal de la máquina. Sustituya la hoja si los 4 bordes están mellados, rotos o desgastados al mínimo.
- 5 Instale la hoja siguiendo los pasos en orden inverso y ajuste la inclinación de la rasqueta si es necesario.

### Para invertir o sustituir la hoja de la rasqueta delantera...

- 1 Eleve la rasqueta del suelo y luego gírela hacia el exterior de la máquina para acceder. Desconecte la manguera de la rasqueta (**AD**) de la rasqueta. Apriete la parte posterior de la abrazadera de montaje de la rasqueta (**AE**) para abrir la abrazadera y extraiga el conjunto de la rasqueta de la máquina.
- 2 Afloje las cuatro perillas de cubierta de rasqueta (**11**). Luego levante la cubierta de la rasqueta (**AF**) de la roldana de la rasqueta (**AG**).
- 3 Deslice la hoja delantera (**AH**) para sacarla de las clavijas de alineación.
- 4 La hoja de la rasqueta tiene 4 bordes de trabajo. Gire la hoja de manera que un borde limpio e intacto apunte hacia la parte frontal de la máquina. Sustituya la hoja si los 4 bordes están mellados, rotos o desgastados al mínimo.
- 5 Instale la hoja siguiendo los pasos en orden inverso y ajuste la inclinación de la rasqueta si es necesario.

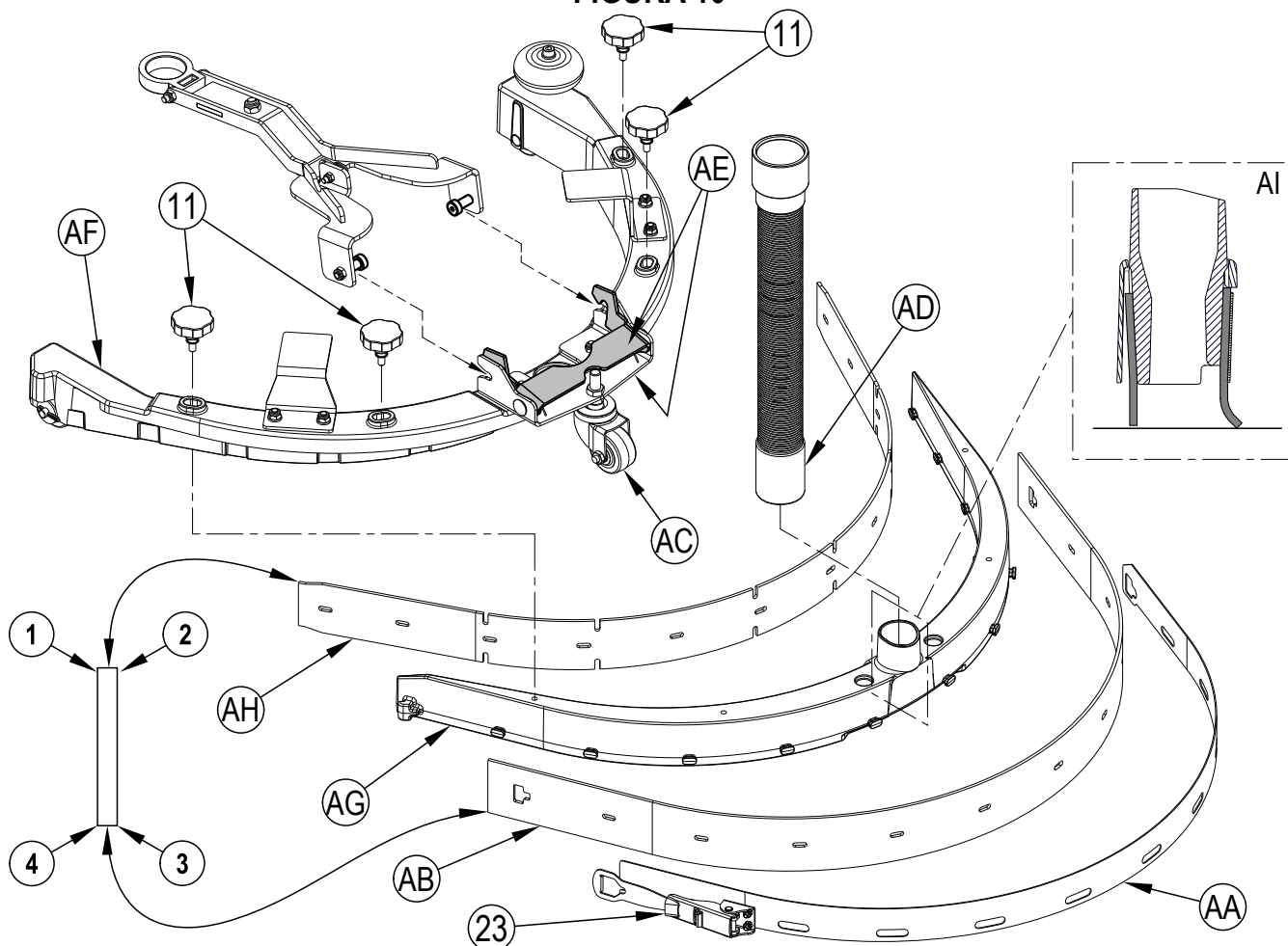
## AJUSTE DE LA RASQUETA

Hay un solo ajuste posible de la rasqueta: inclinación.

Ajuste la inclinación de la rasqueta si la rasqueta no deja seco el suelo.

- 1 Aparque la máquina en una superficie plana e igualada y baje la rasqueta. A continuación lleve la máquina hacia delante hasta que las hojas de la rasqueta se plieguen hacia la parte trasera.
- 2 Ajuste la inclinación de la rasqueta utilizando la rueda de la roldana trasera (**AC**) de manera que la hoja de la rasqueta trasera toque el suelo homogéneamente en toda la anchura y se doble ligeramente como se muestra en la sección transversal de la rasqueta (**AI**).

**FIGURA 10**



## SOLUCIÓN DE PROBLEMAS GENERALES DE LA MÁQUINA

Problema	Posible causa	Solución
Recogida escasa del agua	Hojas de la rasqueta gastadas o desgarradas	Invierta o sustituya las cuchillas
	Rasqueta mal ajustada	Ajuste la rasqueta de manera que los faldones toquen el suelo de manera uniforme en toda su anchura
	Depósito de recuperación lleno	Vacíe el depósito de recuperación
	Fuga del tubo de vaciado del depósito de recuperación (30)	Sujete la tapa de la tubería de drenaje o sustitúyala
	Fuga en la junta de la tapa del tanque de recuperación (13)	Sustituya la junta / Asiente correctamente la tapa
	Residuos atrapados en la rasqueta (10)	Limpie el conjunto de rasqueta
	Tubería de recuperación entre la rasqueta y el depósito de recuperación obstruida	Retire los residuos
	Aspiración configurada en modo silencioso	Ajuste la aspiración en alta
Fregado poco eficaz	Cepillo o bayeta desgastados	Reemplace el cepillo o la bayeta
	Tipo de cepillo o bayeta incorrecto	Consulte con Advance
	Limpiador químico incorrecto	Consulte con Advance
	Movimiento demasiado rápido de la máquina.	Reduzca la velocidad.
	No se está utilizando suficiente solución.	Aumente el flujo de solución
Flujo de solución inadecuado o inexistente	Depósito de solución vacío	Llene el depósito de solución
	Tuberías, válvulas, filtro o canal de la solución (26) obstruidos	Lave las tuberías y limpie el filtro de solución
	Válvula de cierre de la solución (27) cerrada	Abra la válvula de cierre de la solución
	Válvula de solenoide de la solución (25)	Limpie o sustituya la válvula
La máquina no enciende	Conector de las baterías de la máquina (33) desconectado	Vuelva a conectar los conectores de las baterías
	Disyuntor de 5 A saltado (E)	Compruebe si existe un cortocircuito eléctrico y reinicie
	Falla del interruptor de llave (A)	<b>(hable con un Centro de Servicios Autorizado de Advance)</b>
Ausencia de tracción de las ruedas marcha adelante/atrás	Interruptor de parada de emergencia (B) saltado	Restablezca el interruptor de parada de emergencia
	Controlador de velocidad del sistema de tracción	Compruebe los códigos de error <b>(hable con un Centro de Servicios Autorizado de Advance)</b>
	Disyuntor de 50 A saltado (D)	Compruebe si se ha producido una sobrecarga del motor de tracción
No hay flujo de detergente	Depósito de detergente (3) vacío	Llene el depósito de detergente
	Línea de flujo de detergente obstruida o torcida	Purgue el sistema, enderece las líneas para eliminar pliegues
	Bomba de detergente	Revise la bomba, los cables y las líneas

## ACCESORIOS / OPCIONES

Además de los componentes estándar, la máquina puede equiparse con los siguientes accesorios/opciones, según el uso específico que se dé a la máquina:

- Cepillos con cerdas más duras o más suaves
- Bayetas más o menos abrasivas
- Cargador de estantería
- Indicador de batería llena

Para más información sobre los accesorios mencionados, póngase en contacto con un vendedor autorizado.

## ESPECIFICACIONES TÉCNICAS (SEGÚN LA INSTALACIÓN Y LAS PRUEBAS DE LA UNIDAD)

Modelo		SC1500-X20D	SC1500-X20R
Nº de modelo		56104000	56104001
Tensión, baterías	V	24V	24V
Capacidad de la batería	Ah	260	260
Grado de protección		IPX3	IPX3
Nivel de presión sonora IEC 60335-2-72: 2002, enmienda 1:2005, ISO 11201	dB (A)	63 dB LpA, ±3 dB KpA	62 dB LpA, ±3 dB KpA
Peso bruto del vehículo / peso de transporte	lbs / kg	897 / 407	897 / 407
Peso vacío	lbs / kg	620 / 281	620 / 281
Carga máxima en suelo de rueda (frontal central)	psi / N/mm <sup>2</sup>	160 / 1.10	160 / 1.10
Carga máxima en suelo de rueda (posterior derecha)	psi / N/mm <sup>2</sup>	139 / .96	139 / .96
Carga máxima en suelo de rueda (posterior izquierda)	psi / N/mm <sup>2</sup>	135 / .93	135 / .93
Vibraciones en los controles manuales (ISO 5349-1)	m/s <sup>2</sup>	.17	.82
Vibraciones de todo el cuerpo (ISO 2631-1)	m/s <sup>2</sup>	.01	.13
Inclinación en transporte		14% (7.1°)	14% (7.1°)
Inclinación en limpieza		8.3% (4.75°)	8.3% (4.75°)

### Composición del material y reciclaje

Tipo	% del peso de la máquina	% reciclable
Aluminio	2%	100%
Eléctrico / motores / misc.	14%	38%
Metales ferrosos	41%	100%
Arneses / cables	6%	83%
Líquidos	0%	0%
Plástico – no reciclable	4%	0%
Plástico – reciclable	5%	100%
Polietileno	27%	90%
Goma	1%	33%





**TABLE DES MATIÈRES**

	<b>Page</b>
Introduction.....	C-3
Consignes de prudence et de sécurité.....	C-4 - C-5
Apprenez à connaître votre machine.....	C-6 - C-7
Panneau de commande .....	C-8 - C-9
<b>Préparation de la machine</b>	
Installation des batteries.....	C-10
Installation de la brosse (disque).....	C-11
Installation du tampon (REV).....	C-12
Installation de la raclette.....	C-13
Remplissage du réservoir de solution .....	C-13
Système de détergent .....	C-14 - C-15
<b>Fonctionnement de la machine</b>	
Lavage.....	C-16 - C-17
Après l'utilisation.....	C-18
Programme d'entretien .....	C-18
Graissage de la machine.....	C-19
Frein électromagnétique.....	C-19
Chargement des batteries (humides).....	C-20
Vérification du niveau d'eau de la batterie.....	C-20
Chargement des batteries (sèches) .....	C-21
Entretien de la raclette.....	C-22
Réglage de la raclette.....	C-22
Dépannage.....	C-23
Spécifications techniques.....	C-24

## INTRODUCTION

Ce mode d'emploi vous permettra d'exploiter au maximum les fonctionnalités de votre laveuse Advance. Lisez-le attentivement avant d'utiliser la machine.

**Note : les chiffres en gras entre parenthèses indiquent que la pièce figure sur les illustrations des pages C-6 à C-9.**

Cette machine convient uniquement à une utilisation commerciale, comme dans les hôtels, écoles, hôpitaux, usines, magasins, bureaux et entreprises de location. La laveuse SC1500 est une machine de lavage du sol alimentée par une batterie.

## PIÈCES ET SERVICE APRÈS-VENTE

Si nécessaire, les réparations doivent être effectuées par votre centre technique agréé Advance. Ce centre emploie du personnel formé en usine et conserve un inventaire de pièces de rechange et d'accessoires originaux Advance.

Pour tout entretien ou réparation, contactez votre revendeur ADVANCE. Veuillez préciser les numéros de modèle et de série de votre machine dans toute communication.

## MODIFICATIONS

Les modifications et ajouts d'éléments à la machine, qui affectent ses capacités et son fonctionnement sécurisé, ne doivent pas être réalisés par le client ou l'utilisateur sans le consentement préalable et écrit de Nilfisk-Advance Inc. Toute altération non approuvée annulera la garantie de la machine. En outre, le client sera entièrement responsable des accidents associés.

## PLAQUE D'IDENTIFICATION

Les numéros de modèle et de série figurent sur la plaque d'identification de votre machine. Ces informations sont nécessaires pour commander des pièces détachées. Utilisez l'espace ci-dessous pour consigner ces renseignements en vue d'une utilisation ultérieure.

NUMÉRO DE MODÈLE \_\_\_\_\_

NUMÉRO DE SÉRIE \_\_\_\_\_

## DÉBALLAGE DE LA MACHINE

Lors de la livraison de la machine, veuillez inspecter soigneusement l'emballage et la machine afin de déceler tout dommage éventuel. En cas de dommage manifeste, conservez le carton de conditionnement (au besoin) afin d'en permettre l'inspection. Prenez immédiatement contact avec le service clientèle d'Advance afin de faire une déclaration de dommage de fret. Veuillez consulter la fiche d'instruction de déballage livrée avec la machine afin d'enlever la machine de la palette.

## TRANSPORT DE LA MACHINE

### ATTENTION !

Avant de transporter la machine dans un camion ouvert ou une remorque, assurez-vous que . . .

- Tous les réservoirs sont vides.
- Le couvercle du réservoir de récupération est correctement verrouillé.
- La machine est correctement attachée. Consultez les Emplacements d'arrimage **(6)** dans la section *Apprenez à connaître votre machine*.
- Le frein électromagnétique de la machine est actionné (aucun contournement manuel).

### AVERTISSEMENT !

Les Produits vendus avec le présent manuel contiennent ou peuvent contenir des produits chimiques reconnus par certains gouvernements (comme l'État de Californie, par le biais de la proposition de loi d'avertissement réglementaire 65) comme provoquant des cancers, des anomalies congénitales et autres dangers pour la reproduction. Dans certains endroits (comme l'État de Californie), les acheteurs de ces Produits, qui les utilisent sur un lieu de travail ou dans un espace public, ont l'obligation d'apposer certains avis, avertissements ou informations concernant les produits chimiques qui sont ou peuvent être contenus dans les Produits dans ces lieux ou aux alentours de ces lieux de travail. Il incombe à l'acheteur de connaître les dispositions de, et de respecter, toutes les lois et réglementations ayant trait à l'utilisation de ces Produits au sein de tels environnements. Le Fabricant rejette toute responsabilité d'informer les acheteurs concernant des exigences spécifiques qui peuvent s'appliquer à l'utilisation des Produits dans de tels environnements.

## CONSIGNES DE PRUDENCE ET DE SÉCURITÉ

### SYMBOLES

Les symboles reproduits ci-dessous sont utilisés par Advance pour attirer l'attention sur des situations potentiellement dangereuses. Il est donc conseillé de les lire attentivement et de prendre les mesures adéquates en vue de protéger le personnel et les biens.

#### **DANGER !**

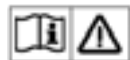
Utilisé pour mettre en garde contre des dangers immédiats pouvant entraîner des blessures graves, voire un décès.

#### **AVERTISSEMENT !**

Utilisé pour attirer l'attention sur une situation susceptible d'entraîner des blessures graves.

#### **ATTENTION !**

Utilisé pour attirer l'attention sur une situation qui pourrait entraîner des blessures minimales ou des dommages mineurs de la machine ou autres biens.



Veuillez lire l'ensemble des instructions avant d'utiliser la machine.

## CONSIGNES GÉNÉRALES DE SÉCURITÉ

Les consignes spécifiques de prudence et de sécurité mentionnées dans ce document ont pour but de vous informer sur les risques potentiels de dommages matériels ou corporels.

Cette machine est destinée à un usage commercial et peut être utilisée, entre autres, dans les hôtels, écoles, hôpitaux, usines, magasins et bureaux. Elle n'a donc pas été conçue pour l'entretien ménager.

#### **AVERTISSEMENT !**

- Cette machine doit être utilisée uniquement par un personnel parfaitement qualifié et autorisé.
- L'utilisation de cette machine n'est pas destinée aux personnes (notamment les enfants) qui souffrent de capacités physiques, sensorielles ou mentales diminuées, ou d'un manque d'expérience et de connaissances.
- Évitez les arrêts soudains lorsque la machine se trouve sur des rampes ou des pentes. Évitez les virages serrés. Adoptez une vitesse réduite lorsque la machine est en descente.
- Respectez le poids brut du véhicule (PBV) de la machine quand vous chargez, conduisez, levez ou supportez la machine.
- Éloignez les batteries de toute flamme, étincelle ou substance fumigène. Des gaz explosifs sont dégagés lors du fonctionnement normal.
- De plus, du gaz hydrogène explosif s'échappe des batteries lorsqu'elles sont en charge. Procédez au chargement des batteries uniquement dans une zone bien aérée, loin de toute flamme nue. Ne fumez pas à proximité des batteries lorsqu'elles sont en charge.
- Enlevez tous vos bijoux lorsque vous travaillez à proximité de composants électriques.
- Placez l'interrupteur à clé en position d'arrêt (O) et débranchez les batteries avant de procéder à l'entretien des composants électriques.
- Ne travaillez jamais sous une machine sans avoir placé au préalable des blocs de sécurité ou des étais pour soutenir la machine.
- Ne déversez pas des produits nettoyants inflammables, ne faites pas fonctionner la machine sur ou à proximité de tels produits ou dans des zones contenant des liquides inflammables.
- Ne nettoyez pas cette machine avec un nettoyeur à haute pression.
- Utilisez uniquement les brosses fournies avec l'appareil ou celles spécifiées dans le mode d'emploi. L'utilisation d'autres brosses peut mettre la sécurité en péril.

## CONSIGNES DE PRUDENCE ET DE SÉCURITÉ (SUITE)



### ATTENTION !

- Cette machine n'est pas conçue pour une utilisation sur les voies publiques.
- Cette machine n'est pas conçue pour le ramassage des poussières dangereuses.
- N'utilisez pas des disques de scarificateur et des meules. Advance ne pourra en aucun cas être tenu pour responsable des dommages occasionnés à vos sols par ce type d'équipement (vous risquez également d'endommager le système d'entraînement des brosses).
- Pendant l'utilisation de cette machine, assurez-vous que les autres personnes, notamment les enfants, ne courent aucun risque.
- Avant de procéder à toute opération d'entretien, veuillez lire attentivement toutes les instructions qui s'y rapportent.
- Ne laissez pas la machine sans surveillance sans avoir, au préalable, placé l'interrupteur à clé en position d'arrêt (O), enlevé la clé de contact et actionné le frein à main.
- Tournez l'interrupteur à clé en position d'arrêt (O) et enlevez la clé avant de remplacer les brosses et d'ouvrir un panneau d'accès.
- Prenez toutes les mesures nécessaires pour éviter que des cheveux, bijoux ou vêtements amples ne soient entraînés dans les parties mobiles de la machine.
- Faites attention lorsque vous déplacez cette machine dans un endroit où la température peut descendre en dessous de zéro. L'eau contenue dans les réservoirs de solution, de récupération ou de détergent ou dans les conduites risquerait de geler et d'endommager les vannes et les raccords de la machine. Rincez avec un liquide de lave-glace.
- Prenez soin d'enlever les batteries de la machine avant de la mettre au rebut. Concernant l'élimination des batteries, respectez les réglementations locales en matière d'environnement.
- N'utilisez pas cette machine sur des pentes dont l'inclinaison est supérieure à celle indiquée sur la machine.
- Tous les couvercles et panneaux doivent être dans la position indiquée dans le mode d'emploi avant de mettre la machine en service.
- Cette machine doit être utilisée et rangée uniquement à l'intérieur de bâtiments.

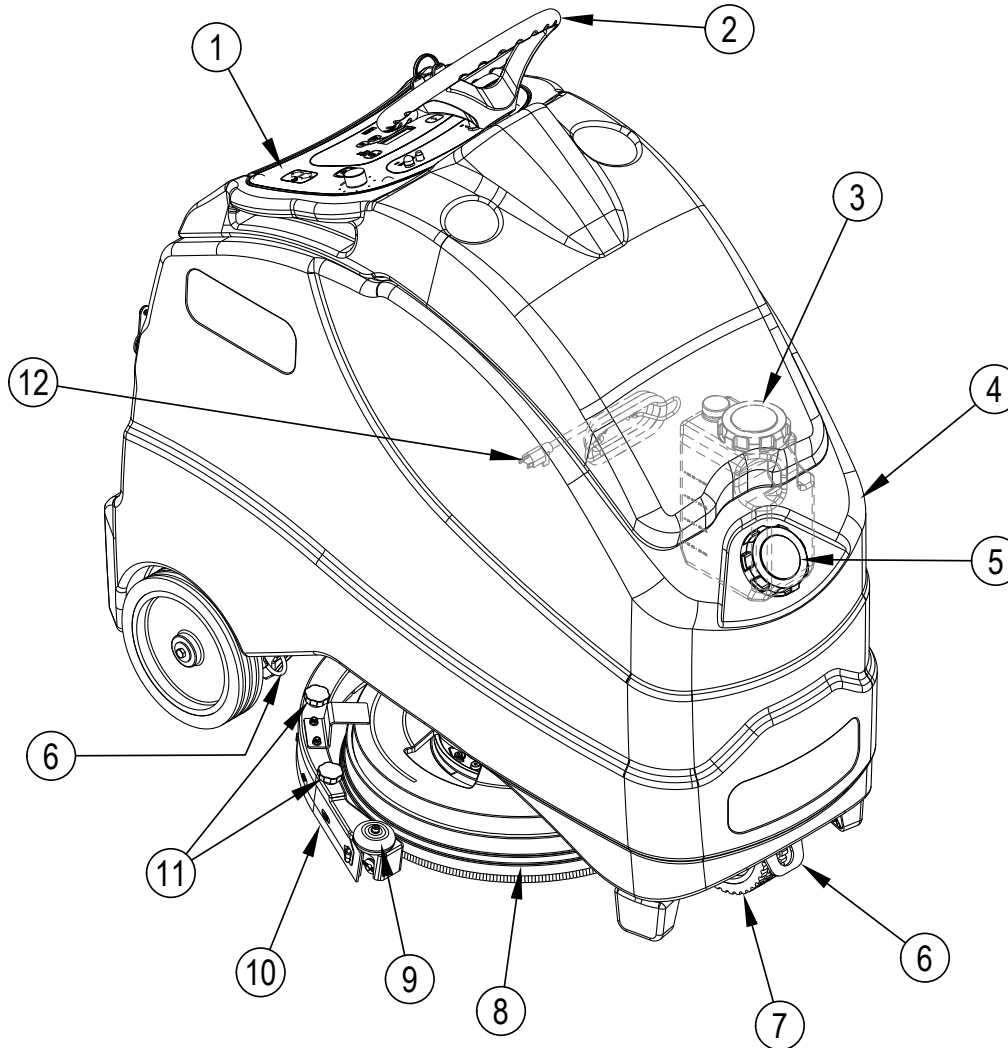
## CONSERVEZ CES CONSIGNES

**APPRENEZ À CONNAÎTRE VOTRE MACHINE**

En lisant ce manuel, vous rencontrerez à l'occasion un chiffre ou une lettre en gras et entre parenthèses, tel que : **(2)**. Ces chiffres font référence à un élément illustré sur ces pages, sauf indication contraire. Reportez-vous à ces pages dès que nécessaire afin de repérer avec précision un élément mentionné dans le texte.

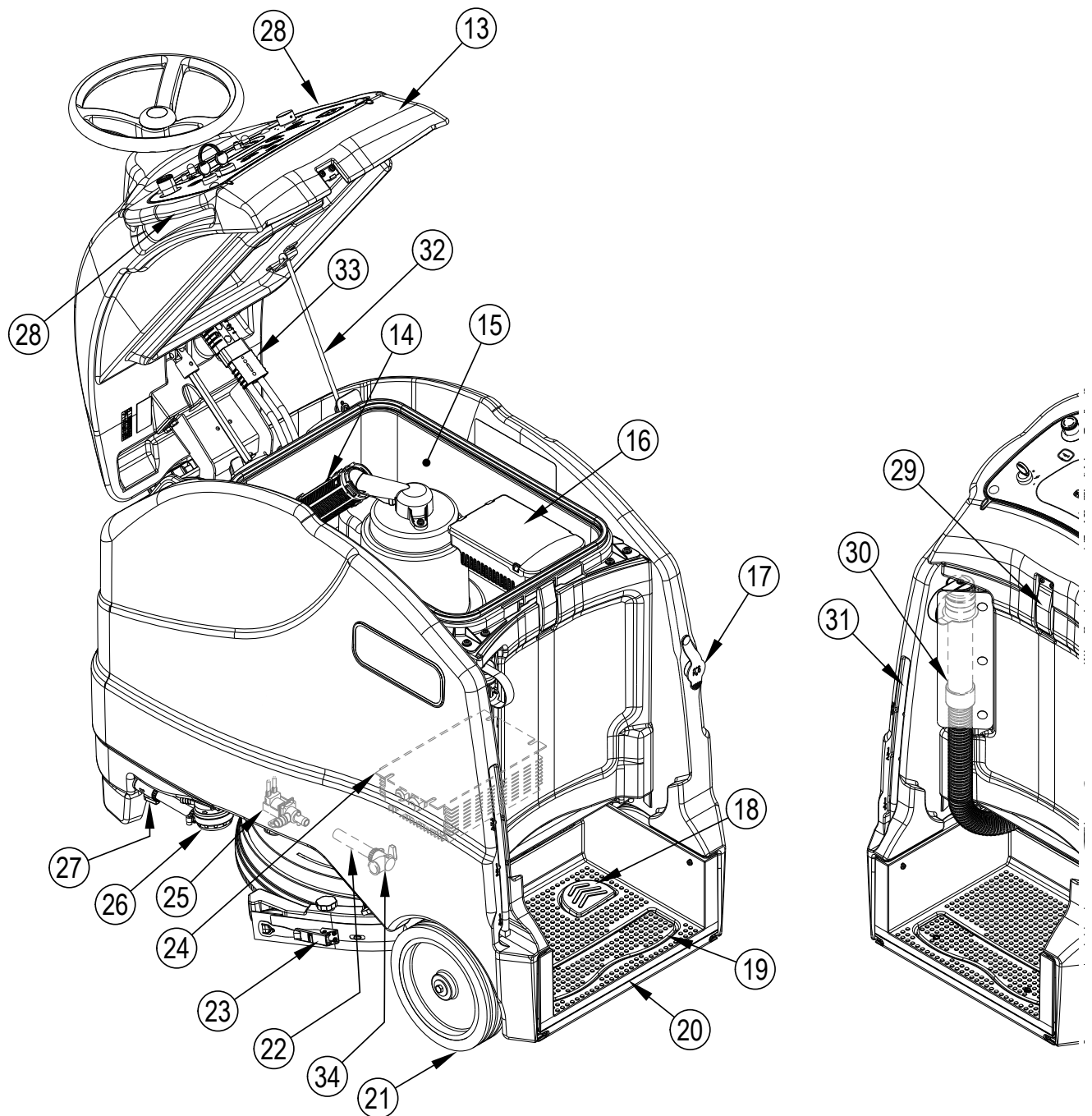
**NOTE** : consultez le manuel d'entretien pour obtenir des explications détaillées sur chaque élément illustré dans les 4 pages suivantes.

- 1 **Panneau de commande**
- 2 **Volant**
- 3 **Cartouche de détergent**
- 4 **Réservoir de solution**
- 5 **Bouchon du réservoir de solution**
- 6 **Points d'arrimage**
- 7 **Roue motrice**
- 8 **Plateau de lavage**
- 9 **Galet de la raclette**
- 10 **Raclette**
- 11 **Boutons de la raclette (4)**
- 12 **Cordon électrique du chargeur embarqué**



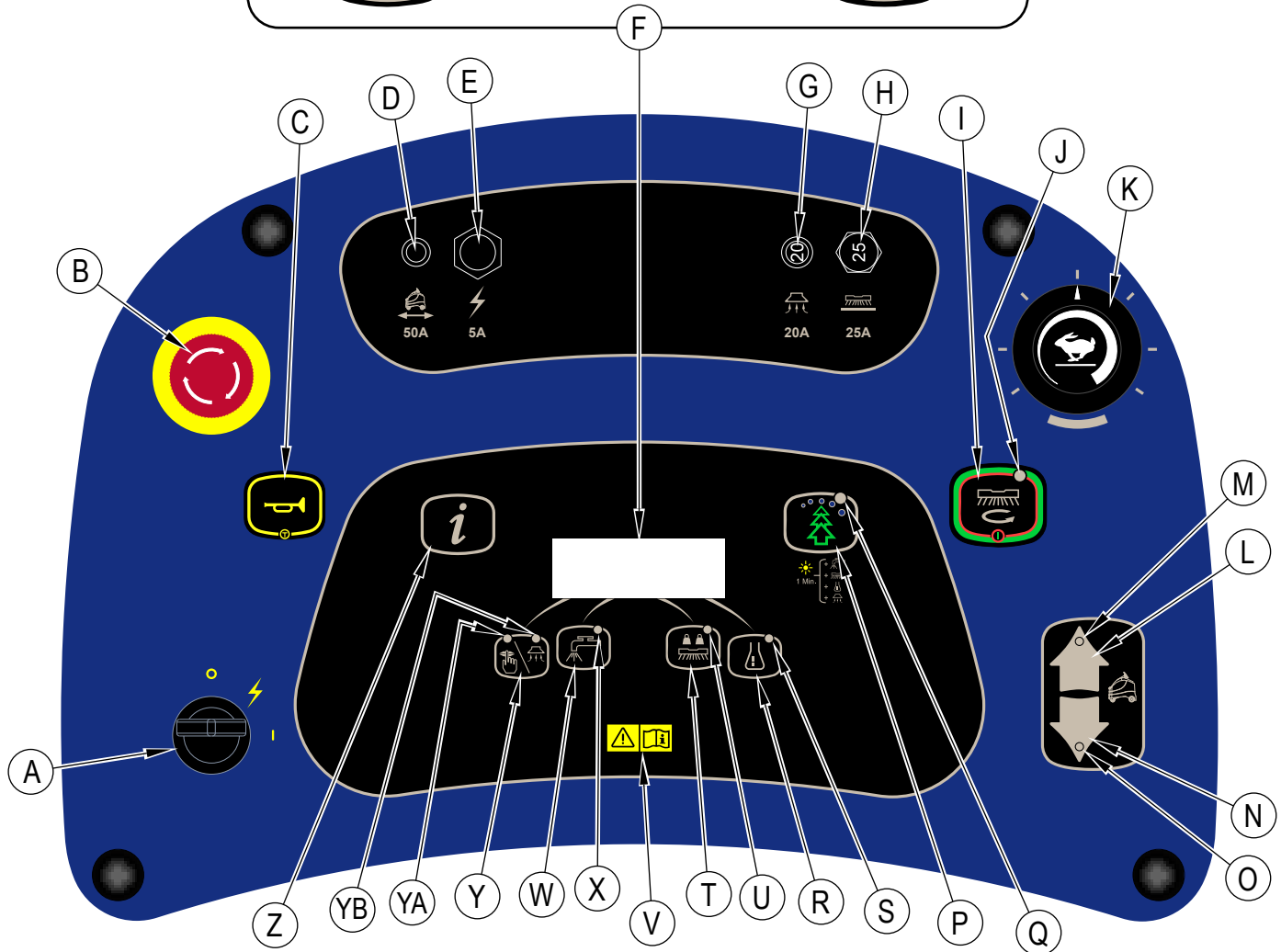
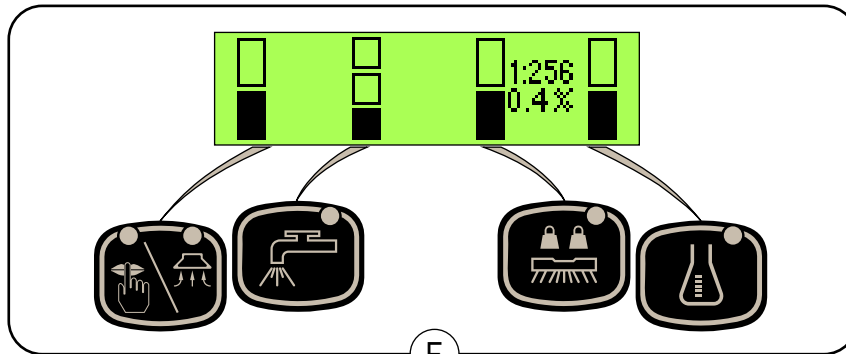
## APPRENEZ À CONNAÎTRE VOTRE MACHINE

- |  |  |
|--|--|
| 13 Coffret du panneau de commande / Couvercle du réservoir de récupération | 24 Chargeur de batterie                              |
| 14 Système de fermeture automatique à flotteur du moteur d'aspiration      | 25 Électrovanne de solution                          |
| 15 Réservoir de récupération   | 26 Filtre de solution                                |
| 16 Bac collecteur de débris  | 27 Vanne d'arrêt de la solution                      |
| 17 Orifice de remplissage arrière du réservoir de solution                 | 28 Poignée   |
| 18 Pédale d'entraînement   | 29 Loquet  |
| 19 Pédale de présence de l'opérateur                                       | 30 Tuyau de vidange du réservoir de récupération     |
| 20 Plate-forme   | 31 Tube de regard du niveau du réservoir de solution |
| 21 Roue arrière  | 32 Tige de support                                   |
| 22 Tuyau de vidange du réservoir de solution                               | 33 Connecteur de batterie (en option)                |
| 23 Loquet de démontage de la lame arrière de la raclette                   | 34 Robinet de vidange de la solution                 |



# PANNEAU DE COMMANDE

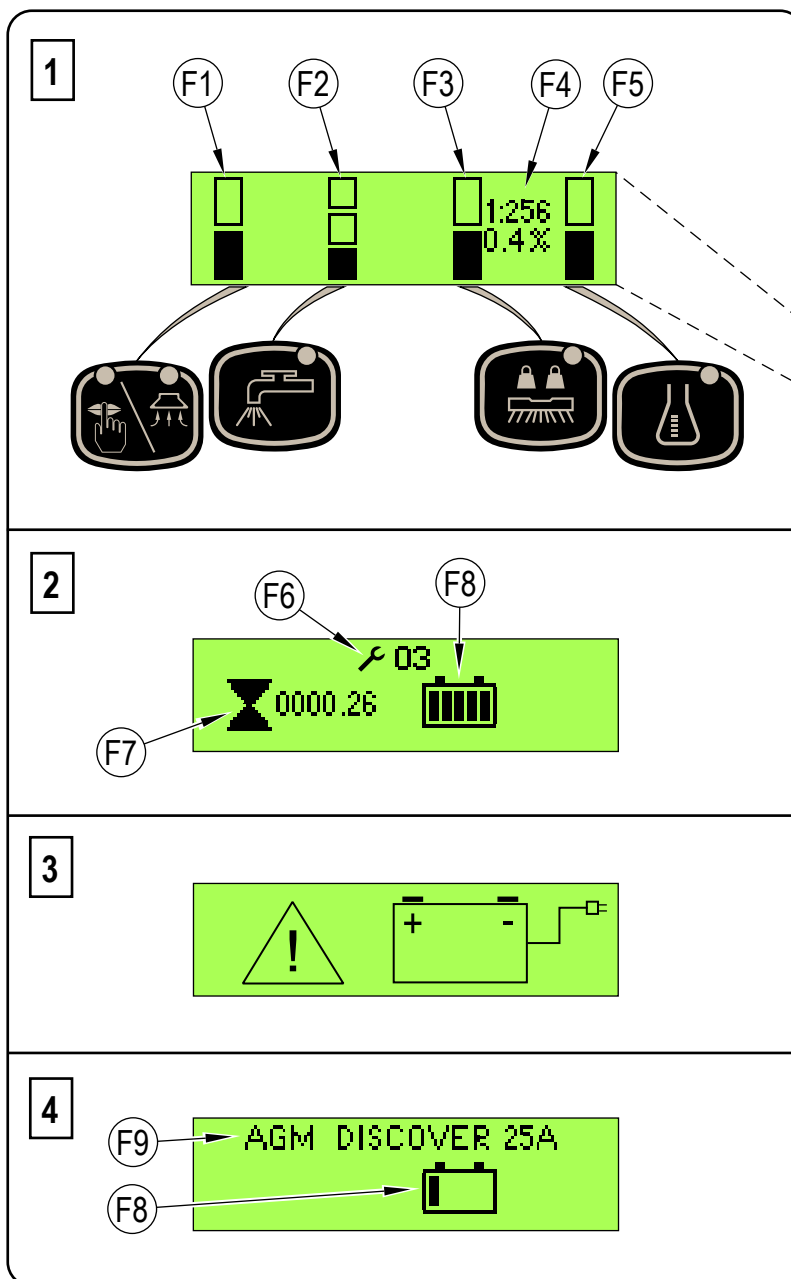
- |   |  |    |  |
|---|--|----|--|
| A | Interrupteur à clé                                     | P  | Interrupteur de la puissance supplémentaire                  |
| B | Arrêt d'urgence  | Q  | Témoin de la puissance supplémentaire                        |
| C | Avertisseur sonore                                     | R  | Interrupteur de la concentration de détergent                |
| D | Disjoncteur de la roue motrice (50 A)                  | S  | Témoin de marche / arrêt du détergent                        |
| E | Disjoncteur du circuit de commande (5 A)               | T  | Interrupteur de la pression supplémentaire                   |
| F | Affichage graphique (voir Panneau de commande (suite)) | U  | Témoin de la pression supplémentaire                         |
| G | Disjoncteur du moteur d'aspiration (20 A)              | V  | Symbole « Lire toutes les instructions avant l'utilisation » |
| H | Disjoncteur du moteur de la brosse (25 A)              | W  | Interrupteur de réglage du débit de solution                 |
| I | Interrupteur de marche / arrêt du lavage One-Touch™    | X  | Témoin de marche / arrêt de la solution                      |
| J | Témoin de marche / arrêt du lavage                     | Y  | Interrupteur de réglage de la puissance d'aspiration         |
| K | Bouton de réglage de la vitesse                        | YA | Témoin du mode d'aspiration silencieuse                      |
| L | Interrupteur de marche avant                           | YB | Témoin du mode d'aspiration normale                          |
| M | Témoin de marche avant                                 | Z  | Interrupteur d'information                                   |
| N | Interrupteur de marche arrière                         |    |  |
| O | Témoin de marche arrière                               |    |  |





## PANNEAU DE COMMANDE (SUITE)

- 1 Écran de lavage
  - 2 Écran d'information
  - 3 Écran de tension faible de la batterie
  - 4 Écran du chargeur de batterie
- F Affichage graphique**
- F1 Graphique à barres du niveau d'aspiration  
 SUPÉRIEURE = Élevé  
 INFÉRIEURE = Faible  
 AUCUNE = Arrêt
  - F2 Graphique à barres du débit de solution  
 SUPÉRIEURE = Élevé  
 CENTRALE = Moyen  
 INFÉRIEURE = Faible  
 AUCUNE = Arrêt
  - F3 Graphique à barres de la pression de la brosse de lavage  
 SUPÉRIEURE = Pression supplémentaire  
 INFÉRIEURE = Pression normale
  - F4 Indicateur du taux / pourcentage de détergent
  - F5 Graphique à barres de l'indicateur de détergent  
 SUPÉRIEURE = Détergent élevé  
 INFÉRIEURE = Détergent faible  
 AUCUNE = Arrêt
  - F6 Codes d'erreur
  - F7 Compteur horaire
  - F8 Indicateur de charge de la batterie
  - F9 Type de batterie



## BATTERIES

Si votre machine est livrée avec des batteries installées, procédez comme suit :

- Vérifiez que les batteries sont branchées à la machine.
- Mettez l'interrupteur à clé (A) en position de marche et contrôlez l'indicateur de la batterie (F8). Si la jauge est complètement remplie, les batteries sont prêtes à être utilisées. Si la jauge n'indique pas une charge pleine, chargez les batteries avant l'utilisation. Consultez la section « Chargement des batteries ».
- **IMPORTANT ! SI VOTRE MACHINE EST DOTÉE D'UN CHARGEUR DE BATTERIE EMBARQUÉ, VEUILLEZ CONSULTER LE MANUEL DU FABRICANT POUR OBTENIR DES INSTRUCTIONS SUR LE RÉGLAGE DU CHARGEUR EN FONCTION DU TYPE DE BATTERIE.**

Si votre machine est livrée sans batteries installées, procédez comme suit :

- Consultez votre revendeur agréé Advance pour connaître les modèles de batterie recommandés.
- Installez les batteries en suivant les instructions ci-dessous.
- **N'installez PAS deux batteries de 12 volts dans votre machine. Cela pourrait affecter la stabilité de la machine.**
- **IMPORTANT ! SI VOTRE MACHINE EST DOTÉE D'UN CHARGEUR DE BATTERIE EMBARQUÉ, VEUILLEZ CONSULTER LE MANUEL DU FABRICANT POUR OBTENIR DES INSTRUCTIONS SUR LE RÉGLAGE DU CHARGEUR EN FONCTION DU TYPE DE BATTERIE.**

## INSTALLATION DES BATTERIES



### AVERTISSEMENT !

Soyez très prudent lorsque vous manipulez les batteries. L'acide sulfurique qu'elles contiennent peut provoquer des blessures graves en cas de contact avec la peau ou les yeux. De l'hydrogène explosif émane de l'intérieur des batteries par les orifices aménagés dans les bouchons de batteries. Ce gaz peut être enflammé par un arc électrique, une étincelle ou une flamme. Si l'acide de batterie entre en contact avec votre peau, rincez la zone contaminée à l'eau pendant 5 minutes et consultez un médecin.

Lors de l'entretien des batteries...

- Retirez tous vos bijoux.
- Ne fumez pas.
- Portez des lunettes de protection, ainsi qu'un tablier et des gants en caoutchouc.
- Travaillez dans une zone bien aérée.
- Veillez à ce que les outils ne touchent pas plusieurs bornes de la batterie en même temps.
- Débranchez TOUJOURS le câble de polarité négative (terre) en premier lors du remplacement des batteries afin d'éviter des étincelles.
- Branchez TOUJOURS le câble négatif en dernier lors de l'installation des batteries.



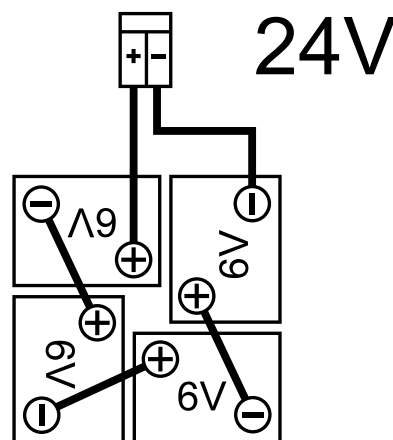
### ATTENTION !

Les composants électriques de cette machine peuvent être gravement endommagés si les batteries ne sont pas installées et branchées correctement. Nous vous conseillons de faire installer les batteries par un technicien Advance ou un électricien qualifié.

- 1 Videz le réservoir de récupération (15) à l'aide de son tuyau de vidange (30).
- 2 Placez l'interrupteur à clé (A) en position d'arrêt (O) et enlevez la clé. Débloquez (29), puis basculez le couvercle du réservoir de récupération (13) pour l'ouvrir et fixez la tige de support (32).
- 3 Inclinez le réservoir de récupération (15) vers l'arrière (vers la plate-forme de l'opérateur) pour exposer le compartiment de la batterie.
- 4 Utilisez une sangle de levage adaptée et faites vous aider par une autre personne pour soulever et installer les batteries dans le compartiment, exactement comme illustré. Consultez le schéma moulé sur la face inférieure du couvercle du réservoir de récupération.
- 5 **Voir Figure 1.** Branchez les câbles des batteries comme illustré et serrez les écrous sur les bornes des batteries.
- 6 Installez les gaines des batteries et attachez-les solidement aux câbles des batteries à l'aide des attaches fournies.
- 7 Branchez les câbles électriques principaux de la machine aux batteries ou, si présent, branchez le connecteur de batterie (33). Fermez le couvercle du réservoir de récupération.

Pendant le remplacement des batteries ou du chargeur, veuillez contacter votre centre technique local agréé pour connaître les réglages corrects de la batterie, du chargeur et de la machine afin d'éviter tout dommage.

FIGURE 1



260A/H-20HR-RATE

## INSTALLATION DE LA BROSSE (SYSTÈME À DISQUES)

1 Assurez-vous que le plateau de lavage (8) est en position HAUTE. Assurez-vous que l'interrupteur à clé (A) est en position d'arrêt (O).

### ATTENTION !

Tournez l'interrupteur à clé en position d'arrêt (O) et enlevez la clé avant de remplacer la brosse.

2 Voir Figure 2. Tournez la raclette (10) dans le sens opposé à votre position pour faciliter l'accès à la brosse (AA).

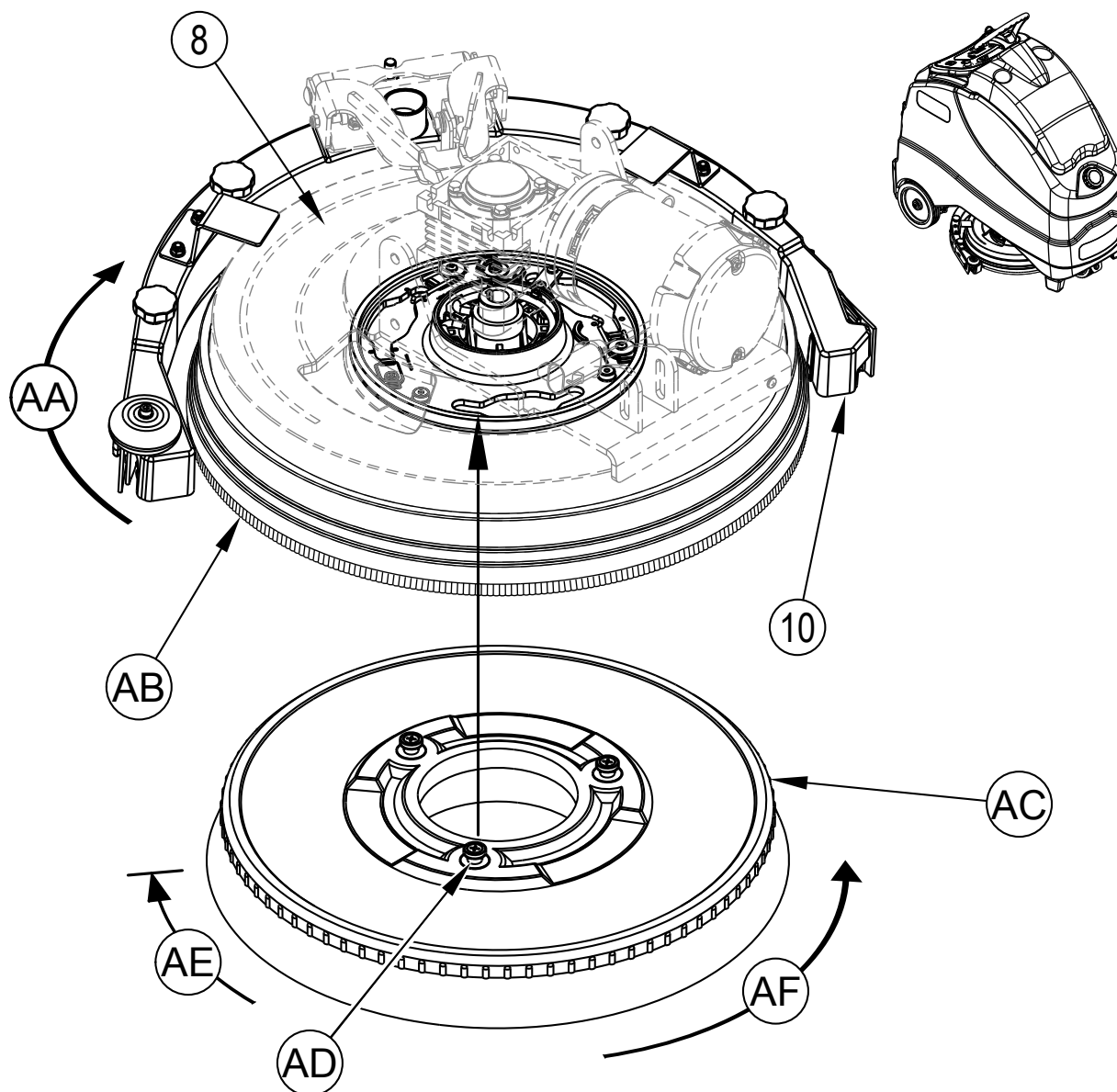
3 Soulevez la bavette du plateau de lavage (AB) et glissez la brosse sous le plateau de lavage.

4 Si vous utilisez un tampon, installez-le sur le porte-tampon.

5 Pour monter la brosse (AC) (ou le porte-tampon), soulevez la brosse et alignez les oreilles (AD) de la brosse avec les orifices du plateau de montage ; puis tournez pour bloquer en place (par le côté droit de la machine, faites tourner le bord extérieur de la brosse vers l'arrière de la machine, comme illustré (AE)).

**NOTE :** pendant l'utilisation, la brosse doit tourner dans le sens (AF).

FIGURE 2



## INSTALLATION DU TAMPON (SYSTÈME REV)

1 Assurez-vous que le plateau de lavage est en position HAUTE. Assurez-vous que l'interrupteur à clé (A) est en position d'arrêt (O).



### ATTENTION !

Tournez l'interrupteur à clé en position d'arrêt (O) et enlevez la clé avant de remplacer le tampon.

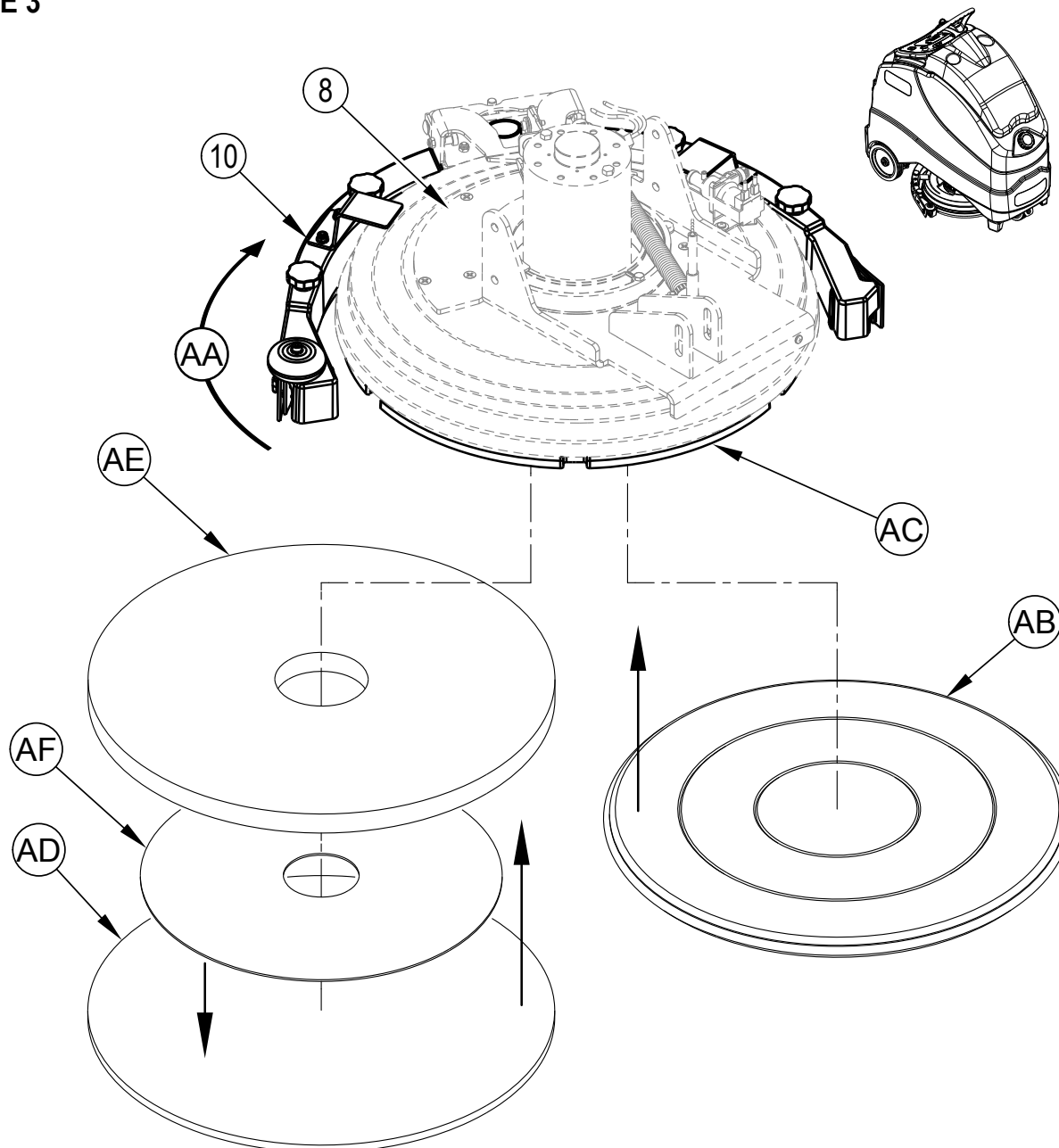
2 Voir Figure 3. Tournez la raclette (10) dans le sens opposé à votre position pour faciliter l'accès au tampon (AA).

3 **Lavage quotidien** : glissez un tampon de récurage journalier (AE) ou un tampon en microfibre (AB) sous le disque d'entraînement ; centrez-le sur le disque d'entraînement fixe (AC) et soulevez-le en le comprimant sur la face à crampons du disque d'entraînement.

4 **Élimination de la couche de finition** : installez un nouveau tampon rouge (AE) sur le disque d'entraînement (AC) comme décrit à l'étape 3 ci-dessus. Si vous utilisez le velcro double face en option (AF), fixez-le au centre du tampon SPP bordeaux (AD) et glissez l'ensemble sous le tampon rouge en le centrant. Ensuite, compressez vers le haut pour fixer cet ensemble au tampon rouge. Si vous n'utilisez pas le velcro double face optionnel, installez un nouveau tampon rouge comme décrit à l'étape 3 précédente et placez un nouveau tampon SPP bordeaux sur le sol en le centrant avec le tampon rouge. Abaissez le plateau sur le sol et sur le tampon SPP bordeaux, et vérifiez qu'il est centré.

**NOTE** : ne fixez jamais un tampon SPP bordeaux directement au disque d'entraînement. Ce dernier pourrait être endommagé et nécessiter un remplacement.

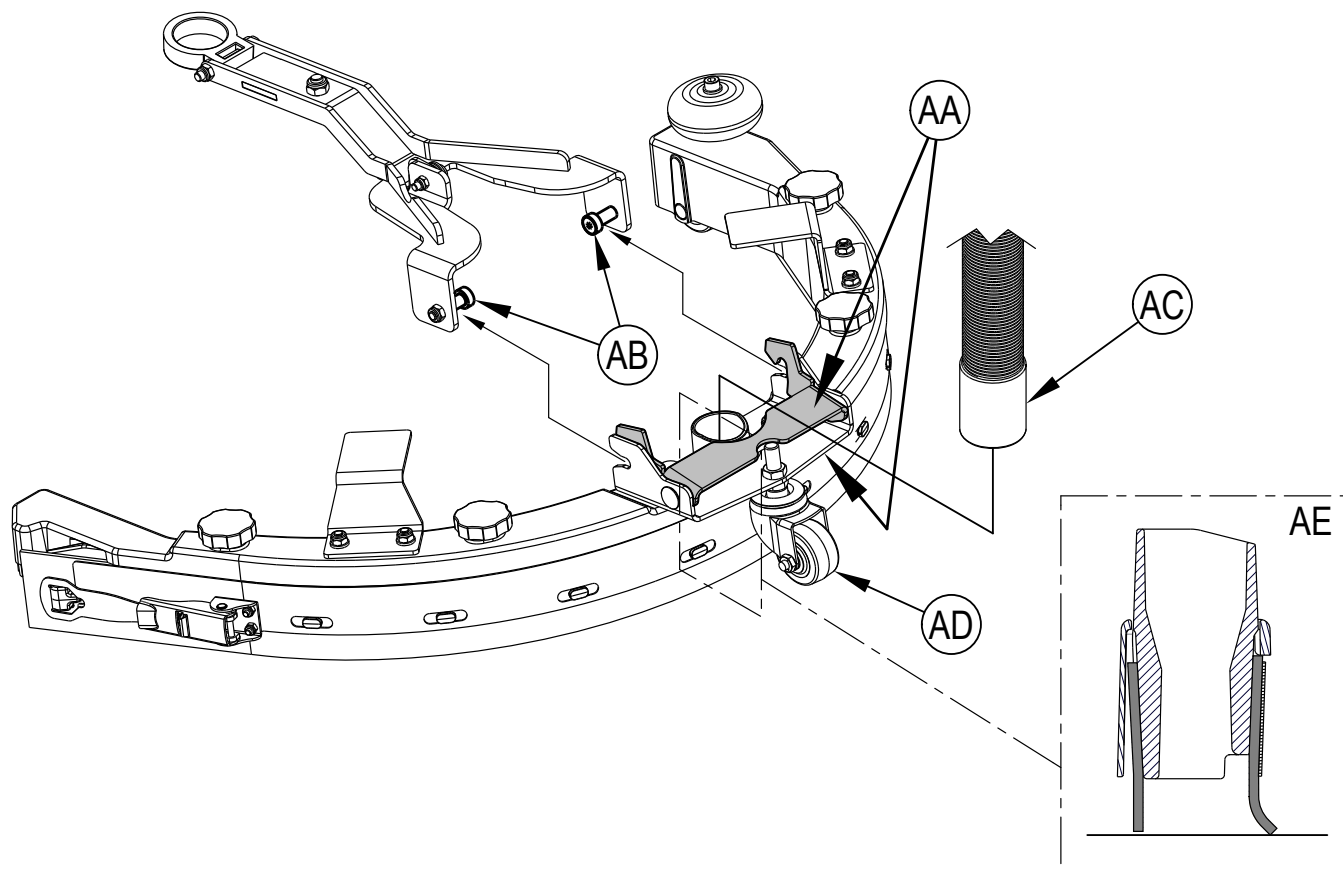
FIGURE 3



## INSTALLATION DE LA RACLETTE

- 1 Voir Figure 4. Comprimez l'arrière du support de montage de la raclette (AA) pour ouvrir et relâcher le support dès qu'il est placé au-dessus des goupilles du bras du plateau (AB).
- 2 Raccordez le tuyau de récupération (AC) à l'entrée de la raclette.
- 3 Abaissez le plateau de lavage et la raclette, et déplacez légèrement la machine vers l'avant. Si nécessaire, réglez la hauteur de la partie arrière de la raclette à l'aide de la roulette arrière (AD) afin que la lame arrière de la raclette touche le sol de manière uniforme sur toute sa largeur et qu'elle soit légèrement courbée comme illustré sur la coupe transversale de la raclette (AE).

FIGURE 4



## REPLISSAGE DU RÉSERVOIR DE SOLUTION

Lisez l'étiquette du produit nettoyant et calculez la quantité correcte de produit à mélanger pour un réservoir ayant une contenance de 12 gallons américains (45 litres).

Ouvrez le bouchon du réservoir de solution (5) ou l'orifice de remplissage arrière du réservoir de solution (17), puis remplissez-le d'eau à 1/3. Ajoutez le produit chimique. Ensuite, remplissez le réservoir jusqu'en haut. La quantité de solution dans le réservoir peut être vérifiée en regardant par le tube de regard du niveau du réservoir de solution (31).



## ATTENTION !

Utilisez uniquement des produits de nettoyage liquides, ininflammables et peu moussants, adaptés aux laveuses automatiques. La température de l'eau ne doit pas dépasser 130 degrés Fahrenheit (55 degrés Celsius).

## PRÉPARATION ET UTILISATION DU SYSTÈME DE DÉTERGENT (ECOFLEX)

### INSTRUCTIONS GÉNÉRALES :

La cartouche de détergent (3) est située sous le coffret du panneau de commande (13). Remplissez la cartouche avec 1 gallon (4 litres) maximum de détergent.

**NOTE POUR L'ENTRETIEN :** retirez la cartouche de détergent de la machine avant de la remplir afin d'éviter de renverser du détergent sur la machine.

Nous vous recommandons d'utiliser une cartouche différente pour chaque détergent à utiliser. Les cartouches de détergent comportent un autocollant blanc afin de pouvoir écrire le nom du détergent sur chaque cartouche et éviter de les mélanger. Lorsque vous installez une cartouche neuve, retirez le bouchon et placez la cartouche dans la machine. Installez le bouchon de frein sec (AA) comme illustré à la Figure 5.

Les résidus d'ancien détergent doivent être vidangés avant d'utiliser un détergent différent. **NOTE POUR L'ENTRETIEN :** déplacez la machine sur une bouche d'écoulement avant la vidange car une petite quantité de détergent s'écoulera lors de ce processus.

### Pour vidanger lors d'un changement de détergent (LES SYSTÈMES DE LAVAGE ET DE SOLUTION DOIVENT ÊTRE ÉTEINTS) :

- 1 Débranchez et retirez la cartouche de détergent.
- 2 Tournez l'interrupteur à clé (A) en position de marche (I). Attendez quelques secondes que la séquence de démarrage se termine.
- 3 Appuyez et maintenez enfoncé pendant 3 secondes l'interrupteur de détergent (R) et l'interrupteur de solution (W). Relâchez ces interrupteurs quand l'icône de vidange des produits chimiques (F10) apparaît à l'écran et que le témoin de l'interrupteur de détergent (S) commence à clignoter. **NOTE :** une fois activé, le processus de vidange dure au moins 10 secondes. Consultez l'illustration à la page suivante sur les témoins du système de détergent. En général, un seul cycle de vidange est suffisant pour vidanger le système.

### Pour une vidange hebdomadaire (LES SYSTÈMES DE LAVAGE ET DE SOLUTION DOIVENT ÊTRE ÉTEINTS) :

- 1 Débranchez et retirez la cartouche de détergent. Installez et branchez une cartouche remplie d'eau chaude et propre.
- 2 Suivez les étapes 2 et 3 de la section « Pour vidanger lors d'un changement de détergent ».

Lorsque le niveau de détergent a presque atteint le fond de la cartouche, il est temps de remplir ou de remplacer la cartouche.

**NOTE POUR L'ENTRETIEN :** suivez les instructions de la section « Pour une vidange hebdomadaire » ci-dessus si la machine doit être rangée pendant une période prolongée.

### Taux de détergent (LES SYSTÈMES DE LAVAGE ET DE SOLUTION DOIVENT ÊTRE ALLUMÉS) :

Aucun détergent n'est distribué tant que les systèmes de lavage et de détergent ne sont pas activés, que la marche avant (L) ou arrière (N) n'est pas sélectionnée et que la pédale d'entraînement (18) n'est pas enfoncée.

- L'indicateur du taux / pourcentage de détergent (F4) est toujours affiché quand le système de détergent est allumé.

Le système EcoFlex dispose de 4 modes de fonctionnement :

1. *Mode de nettoyage sans produit chimique :* pendant le lavage, le système de détergent peut être éteint à tout instant pour permettre un lavage à l'eau uniquement. Appuyez sur l'interrupteur de détergent (R) jusqu'à ce que le témoin de marche / arrêt du détergent (S) s'éteigne et que le graphique à barres du témoin de détergent (F5) affiche les boîtes supérieure et inférieure vides.
2. *Mode de nettoyage avec faible concentration de détergent :* le témoin du détergent (S) est allumé, le graphique à barres de l'indicateur de détergent (F5) affiche la boîte inférieure remplie et la boîte supérieure vide. En appuyant sur l'interrupteur de détergent (R), le cycle passe d'une concentration de détergent faible à élevée puis à l'arrêt du système pour revenir à une concentration faible (séquence répétitive). Consultez ci-dessous les étapes « Programmation du taux / pourcentage de détergent faible ».
3. *Mode de nettoyage avec taux élevé de détergent :* le témoin du détergent (S) est allumé, le graphique à barres de l'indicateur de détergent (F5) affiche les boîtes inférieure et supérieure pleines. En appuyant sur l'interrupteur de détergent (R), le cycle passe d'une concentration de détergent faible à élevée puis à l'arrêt du système pour revenir à une concentration faible (séquence répétitive). Consultez les étapes ci-dessous « Programmation du taux / pourcentage de détergent élevé ». N'utilisez pas un taux de détergent supérieur aux recommandations du fabricant du détergent.
4. *Mode de nettoyage avec puissance supplémentaire :* appuyez sur l'interrupteur de la puissance supplémentaire (P) pour activer de manière temporaire (1 minute) une forte concentration de détergent, une pression de lavage supplémentaire, une pleine puissance d'aspiration et une augmentation du débit de solution jusqu'au prochain taux disponible. Le témoin de la puissance supplémentaire (Q) clignote pendant cet intervalle d'1 minute. Ensuite, tous les paramètres de lavage reviennent à leur état antérieur.

### Pour programmer le taux / pourcentage de détergent élevé (à régler en premier)

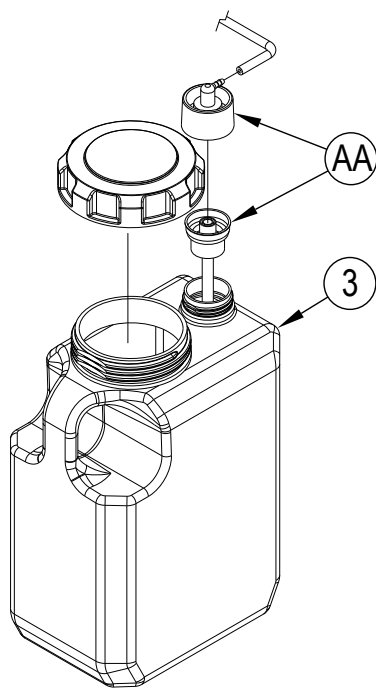
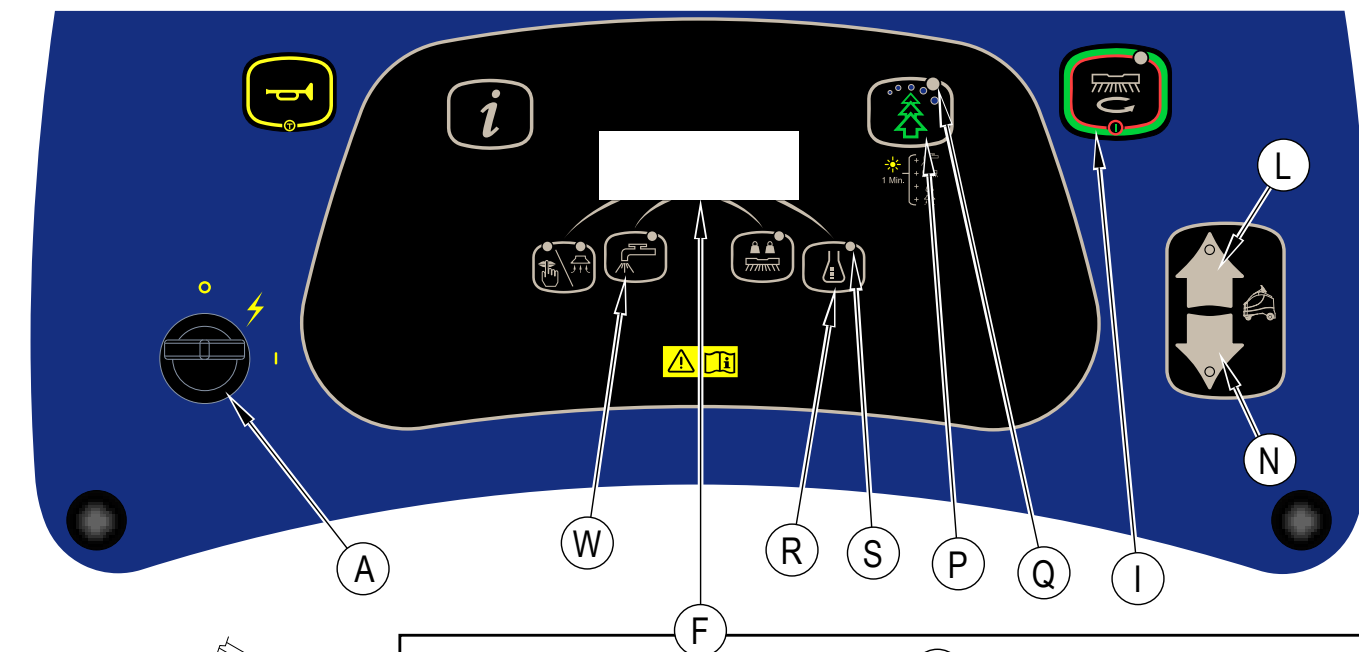
1. Appuyez sur l'interrupteur du lavage OneTouch™ (I) pour activer le système de lavage.
2. Appuyez sur l'interrupteur de détergent (R) jusqu'à ce que le graphique à barres (F5) affiche la concentration de détergent élevée (les boîtes supérieure et inférieure sont pleines).
3. Appuyez et maintenez enfoncé pendant 3 secondes l'interrupteur du détergent (R) pour entrer dans le mode de programmation. Une fois en mode de réglage de la concentration de détergent élevée, la boîte supérieure (F5) clignote. De plus, l'indicateur du taux / pourcentage de détergent (F4) et le témoin de marche / arrêt du détergent (S) commencent à clignoter.
4. Pendant que les indicateurs / témoins clignotent, vous pouvez faire défiler les options en appuyant et en relâchant l'interrupteur du détergent (R). Le taux et son pourcentage correspondant sont affichés ensemble.  
Taux = 1:32, 1:50, 1:64, 1:100, 1:128, 1:150, 1:200, 1:256, 1:300, 1:400.  
Pourcentage = 3 %, 2 %, 1,5 %, 1 %, 0,8 %, 0,66 %, 0,5 %, 0,4 %, 0,3 %, 0,25 %.
5. Dès que le taux / pourcentage désiré est affiché à l'écran (F4), arrêtez. Ce réglage sera sauvegardé après 3 secondes.
6. Si le réglage de détergent faible est actuellement défini à une valeur supérieure au nouveau réglage programmé pour la concentration de détergent élevée, le logiciel ajuste automatiquement le réglage faible un cran plus bas que le réglage élevé.

### Pour programmer le taux / pourcentage de détergent faible

1. Appuyez sur l'interrupteur du lavage OneTouch™ (I) pour activer le système de lavage.
2. Appuyez sur l'interrupteur du détergent (R) jusqu'à ce que le graphique à barres (F5) affiche la concentration de détergent faible (la boîte inférieure est pleine et la boîte supérieure est vide).
3. Appuyez et maintenez enfoncé pendant 3 secondes l'interrupteur du détergent (R) pour entrer dans le mode de programmation. Quand vous êtes entré en mode de réglage du détergent faible, la boîte inférieure (F5) clignote. De plus, l'indicateur du taux / pourcentage de détergent (F4) et le témoin de marche / arrêt du détergent (S) commencent à clignoter.
4. Pendant que les indicateurs / témoins clignotent, vous pouvez faire défiler les options disponibles en appuyant et en relâchant l'interrupteur du détergent (R). Le réglage faible doit être une valeur inférieure ou égale au réglage élevé. Ainsi, seules les valeurs entrant dans cette fourchette seront affichées quand vous les ferez défiler.
5. Dès que le taux / pourcentage désiré est affiché à l'écran (F4), arrêtez. Ce réglage sera sauvegardé après 3 secondes.

# PRÉPARATION ET UTILISATION DU SYSTÈME DE DÉTERGENT (ECOFLEX)

FIGURE 5



	F10	Vidange Appuyez et maintenez enfoncé (R) et (W) pendant 3 secondes pour vidanger
	F4 F5	Détergent faible
		Détergent élevé
		Arrêt détergent

## UTILISATION DE LA MACHINE

### AVERTISSEMENT !

Assurez-vous de bien comprendre les commandes et leurs fonctions.

Évitez les arrêts soudains lorsque la machine se trouve sur des rampes ou des pentes. Évitez les virages serrés. Adoptez une vitesse réduite lorsque la machine est en descente.

**Pour le lavage...**

Respectez les instructions figurant dans la section « Préparation de la machine » du présent manuel.

- Voir Figure 6.** Montez sur la plate-forme (20) en comprimant la pédale de présence de l'opérateur (19). **NOTE** : n'appuyez pas sur la pédale d'entraînement (18) avant d'être prêt à déplacer la machine.
- Placez l'interrupteur à clé (A) en position de marche (I). Attendez quelques secondes que la séquence de démarrage se termine. L'affichage graphique (F) affiche l'écran d'information [2]. Observez l'indicateur de charge de la batterie (F8) avant de continuer.
- Pour transporter la machine vers la zone de travail, appuyez tout d'abord sur l'interrupteur de marche avant (L) ou de marche arrière (N) pour sélectionner le sens de déplacement, puis, appuyez avec le pied sur la pédale d'entraînement (18). **Fonction de sécurité** : si vous maintenez la pédale d'entraînement (18) enfoncée avant d'appuyer sur l'interrupteur de marche avant (L) ou de marche arrière (N), une « erreur 03 » (F6) s'affiche à l'écran, empêchant tout déplacement de la machine. Dans un tel cas, tournez l'interrupteur à clé en position d'arrêt, puis en position de marche pour utiliser la machine.  
Un signal audible de l'avertisseur sonore se fait entendre en marche arrière. Ajustez la vitesse de la machine en tournant le bouton de réglage de la vitesse (K) en sens horaire pour accélérer et en sens horaire inverse pour ralentir.
- Appuyez et maintenez enfoncé l'interrupteur de solution (W) pour pré-humidifier le sol. La solution est distribuée au taux ÉLEVÉ quand cet interrupteur est maintenu enfoncé. **NOTE** : de cette manière, vous n'abîmerez pas le sol quand vous commencerez à nettoyer avec des brosses sèches. Cette action peut être réalisée uniquement avant d'appuyer sur l'interrupteur de marche/arrêt du lavage One-Touch™ (I).
- Appuyez sur l'interrupteur du lavage One-Touch™ (I). L'affichage graphique (F) affiche l'écran de lavage [1]. Le plateau de lavage et la raclette descendent sur le sol. Les systèmes de lavage, d'aspiration, de solution et de détergent sont activés et démarrent tous quand la pédale d'entraînement (18) est enfoncée. Les paramètres du lavage sont sauvegardés après chaque utilisation. Quand la clé est tournée en position de marche et que le bouton du lavage One-Touch est enfoncé, les paramètres de lavage (puissance d'aspiration, débit de solution, pression de lavage et concentration de détergent) enregistrés lors de la dernière utilisation sont tous rappelés.  
**Lavage** : chaque appui sur l'interrupteur de pression de la brosse (T) permet de passer de la pression NORMALE ((F3) boîte inférieure pleine et boîte supérieure vide) à la pression SUPPLÉMENTAIRE ((F3) les boîtes inférieure et supérieure sont pleines). Vous pouvez arrêter le système de lavage uniquement en appuyant sur l'interrupteur du lavage One-Touch (I).  
**Solution** : le débit de solution peut être modifié indépendamment de la pression de lavage en appuyant sur l'interrupteur de solution (W). Chaque appui sur cet interrupteur fait défiler les options FAIBLE, MOYENNE, ÉLEVÉE, ARRÊT dans cet ordre, et revient à FAIBLE. L'option FAIBLE est indiquée par (F2) avec une boîte inférieure pleine ; l'option MOYENNE est indiquée par (F2) avec les boîtes inférieure et centrale pleine ; l'option ÉLEVÉE est indiquée par (F2) avec trois boîtes pleines ; l'option ARRÊT est indiquée par (F2) avec trois boîtes vides.  
**Aspiration** : le niveau d'aspiration peut être modifié indépendamment. Chaque appui sur l'interrupteur d'aspiration (Y) fait défiler les options FAIBLE, ÉLEVÉE, ARRÊT dans cet ordre et revient à FAIBLE. L'option FAIBLE est indiquée quand le graphique à barres du niveau d'aspiration (F1) affiche une boîte inférieure pleine ; l'option ÉLEVÉE est indiquée quand (F1) affiche les deux boîtes inférieure et supérieure pleines. L'option ARRÊT est indiquée quand (F1) affiche les deux boîtes inférieure et supérieure vides. **NOTE** : pour ramasser la solution sans laver, appuyez sur l'interrupteur d'aspiration (Y) en mode de transport. Ainsi, la raclette est abaissée sur le sol et le moteur d'aspiration est activé au niveau FAIBLE.  
**Détergent** : consultez la section « Préparation et utilisation du système de détergent (Ecoflex) » pour obtenir de plus amples informations sur le réglage et l'utilisation du système de détergent.
- Lavage quotidien** : commencez à laver en faisant progresser la machine vers l'avant en ligne droite, à une vitesse sécurisée et en veillant à ce que les passages se chevauchent sur 2 à 3 pouces (50-75 mm). Réglez la vitesse de la machine, la pression de lavage, le débit de solution et le taux de détergent quand nécessaire, en fonction de l'état du sol. **NOTE** : la vitesse de la machine peut être ajustée en tournant le bouton de réglage de la vitesse (K) en sens horaire pour accélérer ou en sens horaire inverse pour ralentir.  
**Élimination de la couche de finition (modèle REV uniquement)** : assurez-vous qu'un tampon rouge est fixé directement au disque d'entraînement fixe et que le tampon SPP bordeaux n'est pas attaché au disque d'entraînement fixe. Ajustez les paramètres de lavage comme suit : réglez le potentiomètre de vitesse de la machine sur une vitesse de lavage lente, approximativement similaire à celle illustrée à la Figure 6 (K). Réglez le débit de solution sur faible, la pression de lavage sur élevée et arrêtez le système de détergent. Le paramètre de la puissance d'aspiration peut être réglé sur faible ou élevée.
- Appuyez sur l'interrupteur de la puissance supplémentaire (P) pour activer de manière temporaire (1 minute) une forte concentration de détergent, une pression de lavage supplémentaire, une pleine puissance d'aspiration et une augmentation du débit de solution jusqu'au prochain taux disponible. Le témoin de la puissance supplémentaire (Q) clignote pendant cet intervalle d'1 minute. Ensuite, tous les paramètres de lavage reviennent à leur état antérieur.

### ATTENTION !

Pour éviter d'abîmer le sol, démarrez et arrêtez uniquement la fonction de lavage quand la machine est en mouvement.

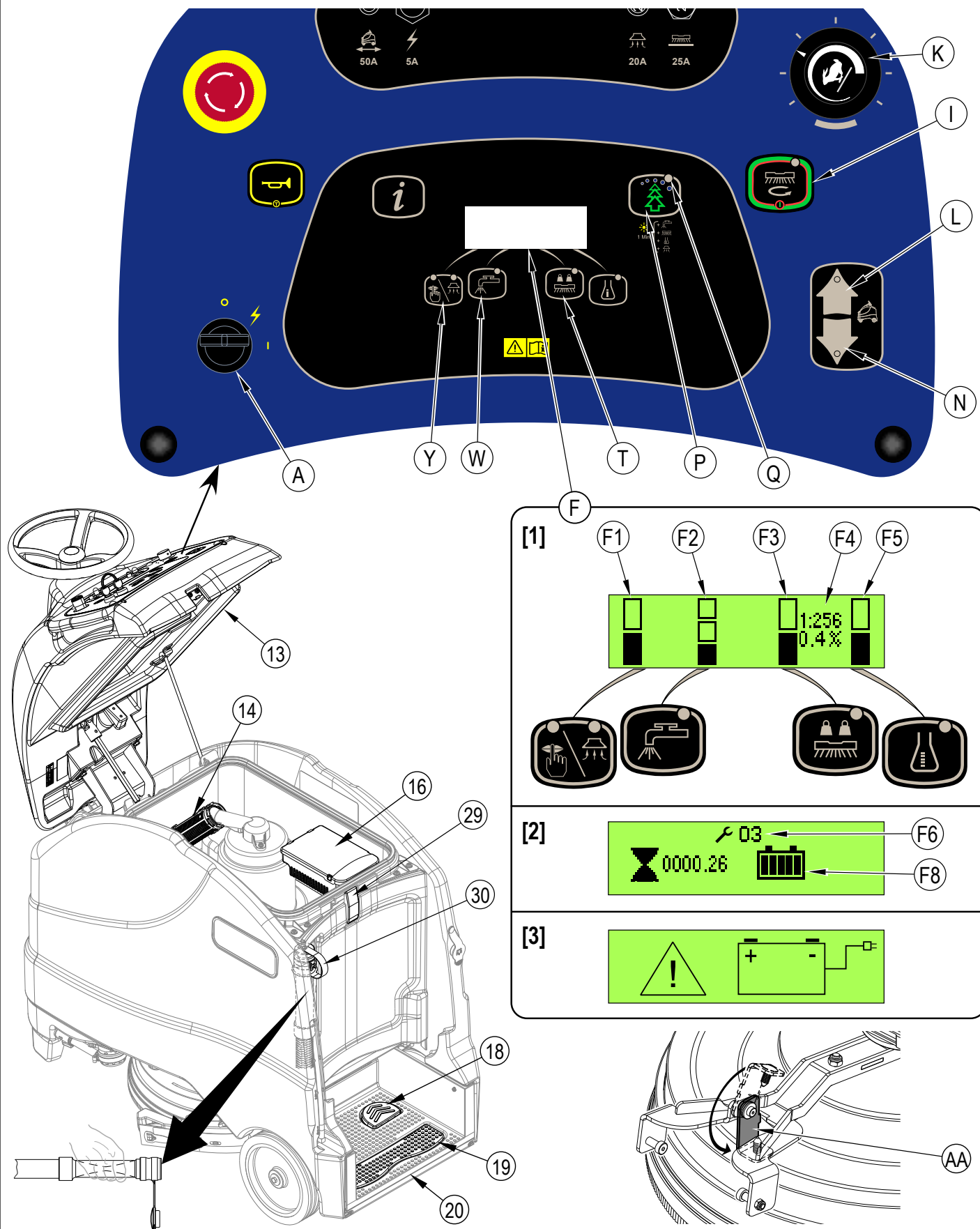
- Lorsque vous nettoyez, assurez-vous, après votre passage, qu'il ne reste plus d'eau sale sur le sol. Si vous remarquez des traînées d'eau derrière la machine, il se peut que cette dernière distribue trop de solution, que le réservoir de récupération soit plein ou que la raclette soit mal réglée.
- Pour les sols extrêmement sales, il se peut qu'un seul passage ne suffise pas et que vous deviez adopter la technique des « deux passages ». Cette technique est fort semblable à la méthode habituelle. La seule différence réside dans le fait que lors du premier passage, la raclette est relevée. Soulevez la raclette et tournez le support du double lavage (AA) vers le bas pour que la raclette ne puisse plus toucher le sol. La solution de lavage peut ainsi agir plus longtemps sur le sol. Lors du deuxième et dernier passage, la raclette est abaissée afin de ramasser la solution accumulée.
- Le réservoir de récupération est doté d'un système de fermeture à flotteur (14) qui provoque un changement de pas du moteur d'aspiration. Si ce flotteur est activé, vous devez vider le réservoir de récupération. Quand le flotteur est activé, la machine ne ramasse plus l'eau.
- Quand l'opérateur souhaite arrêter le lavage :  
Appuyez une fois sur l'interrupteur du lavage One-Touch (I). De cette manière, les brosses de lavage et le débit de solution s'arrêtent automatiquement et le plateau de lavage est relevé. La raclette remonte avec le plateau de lavage après un court délai et l'aspiration s'arrête après un court délai (ainsi, toute eau restant sur le sol peut être ramassée sans avoir à réactiver le système d'aspiration). Si l'interrupteur d'aspiration est enfoncé pendant ce délai, l'aspiration s'arrête.
- Conduisez la machine vers un « SITE DE DÉCHARGE » désigné des eaux usées et videz le réservoir de récupération. Pour le vider, tirez le tuyau de vidange du réservoir de récupération (30) de son dispositif de rangement arrière, puis dévissez le bouchon (maintenez l'extrémité du tuyau au-dessus du niveau d'eau du réservoir afin d'éviter tout déversement accidentel des eaux usées). Vous pouvez également comprimer le tuyau de vidange pour réguler le débit. Débloquez (29) et ouvrez le couvercle du réservoir de récupération (13) en le soulevant pour inspecter et vider le bac collecteur de débris (16) situé dans le réservoir de récupération. Remplissez le réservoir de solution et poursuivez le lavage.

**NOTE** : assurez-vous que le couvercle du réservoir de récupération (13) et le bouchon du tuyau de vidange du réservoir de récupération (30) sont bien en place. Dans le cas contraire, la machine ne ramassera pas l'eau correctement.

Lorsque les batteries doivent être rechargées, l'écran de tension faible de la batterie [3] s'allume. Ensuite, les brosses de lavage et le débit de solution s'arrêtent et le plateau de lavage remonte. Dès que la tension de la batterie tombe sous un deuxième niveau de coupure, la raclette remonte et l'aspiration s'arrête après un court délai. Transportez la machine vers une zone d'entretien et rechargez les batteries conformément aux instructions de la section Batterie de ce manuel.



FIGURE 6



## APRÈS L'UTILISATION

- 1 Lorsque vous avez terminé de nettoyer, appuyez sur l'interrupteur du lavage One-Touch (I). De cette manière, tous les systèmes de la machine (brosse, raclette, aspiration, solution et détergent) sont automatiquement levés, rétractés et arrêtés. Ensuite, conduisez la machine dans une zone d'entretien où un technicien procédera à son entretien quotidien et effectuera les éventuelles réparations.
- 2 Pour vider le réservoir de solution :  
Dirigez le tuyau de vidange du réservoir de solution (22) vers un « SITE DE DÉCHARGE » désigné et ouvrez le robinet de vidange de la solution (34). En outre, le réservoir peut être vidangé en fermant la vanne d'arrêt de la solution (27) et en retirant le bouchon du filtre de solution (26). Ensuite, ouvrez la vanne d'arrêt pour vidanger la solution à travers le filtre. Rincez le réservoir à l'eau claire.
- 3 Pour vider le réservoir de récupération, tirez le tuyau de vidange du réservoir (30) de son dispositif de rangement. Dirigez le tuyau de vidange vers un « SITE DE DÉCHARGE » désigné et dévissez le bouchon (maintenez l'extrémité du tuyau au-dessus du niveau d'eau du réservoir afin d'éviter tout déversement accidentel des eaux usées). Débloquez (29) et soulevez le couvercle du réservoir de récupération (13) pour l'ouvrir et fixez la tige de support (32). Inspectez et videz le bac collecteur de débris (16) situé dans le réservoir de récupération. Rincez le réservoir à l'eau claire.
- 4 Enlevez le support de la brosse ou le porte-tampon. Rincez la brosse ou le tampon à l'eau chaude et suspendez-le pour qu'il sèche.
- 5 Enlevez la raclette, rincez-la à l'eau chaude et penchez-la pour qu'elle sèche.
- 6 Consultez le programme d'entretien ci-dessous et, si nécessaire, effectuez les opérations requises avant de ranger la machine.
- 7 Rangez la machine dans un endroit sec et propre à l'intérieur d'un bâtiment. Maintenez-la à l'abri du gel. Laissez les réservoirs ouverts pour les aérer.
- 8 Placez l'interrupteur à clé (A) en position d'arrêt (O) et enlevez la clé.
- 9 Les batteries sont les pièces de rechange les plus chères de cette machine. Pour protéger votre investissement et réaliser autant de cycles de nettoyage que possible, gardez les points suivants à l'esprit :
  - Les batteries durent plus longtemps si elles sont constamment à pleine charge.
  - Les batteries montées sur cette machine ne développent aucune mémoire.
  - Les batteries durent plus longtemps et permettent de faire davantage de cycles de nettoyage si elles sont rechargées à chaque moment opportun.
  - Les chargeurs de batteries ne chargent pas les batteries de manière excessive ou insuffisante.
  - Les batteries tombent en panne prématurément si elles sont entreposées en étant déchargées.
  - Quand la machine n'est pas utilisée, branchez-la pour recharger les batteries.
  - Après chaque utilisation journalière, le chargeur de batterie doit être branché et il doit fonctionner pendant une séquence de charge complète pour charger entièrement les batteries.

## PROGRAMME D'ENTRETIEN

ÉLÉMENT	Tous les jours	Toutes les semaines	Tous les mois	Tous les ans
Chargement des batteries	X			
Vérification / nettoyage des réservoirs et tuyaux	X			
Vérification / nettoyage des brosses / tampons	X			
Vérification / nettoyage de la raclette	X			
Vérification / nettoyage du système de fermeture à flotteur de l'aspiration	X			
Vidage / nettoyage du bac collecteur de débris dans le réservoir de récupération	X			
Vérification du niveau d'eau de chaque cellule de batterie		X		
Inspection des bavettes du compartiment de lavage		X		
Inspection et lavage du filtre de solution		X		
Vidange du système de détergent		X		
Graissage de la machine			X	
*Vérification des balais de carbone				X

\* Demandez à un centre technique agréé Advance de vérifier les balais de carbone du moteur d'aspiration une fois par an ou toutes les 300 heures de fonctionnement. Les balais de carbone des moteurs des brosses et du moteur d'entraînement doivent être vérifiés chaque année ou toutes les 500 heures de fonctionnement.

## GRAISSAGE DE LA MACHINE

Appliquez de la graisse sur (ou graissez les points de graissage) (AA) :

Utilisez une graisse type Lubriplate® 730-2 ou équivalente

- La chaîne de direction
- La chaîne de la roue motrice
- Le pignon à chaîne du bras de renvoi (raccord de graissage)
- L'arbre de direction (tube du groupe de direction)

Une fois par mois, appliquez une huile légère pour graisser (AB) :

- Les joints de cardan de l'arbre de direction

FIGURE 7

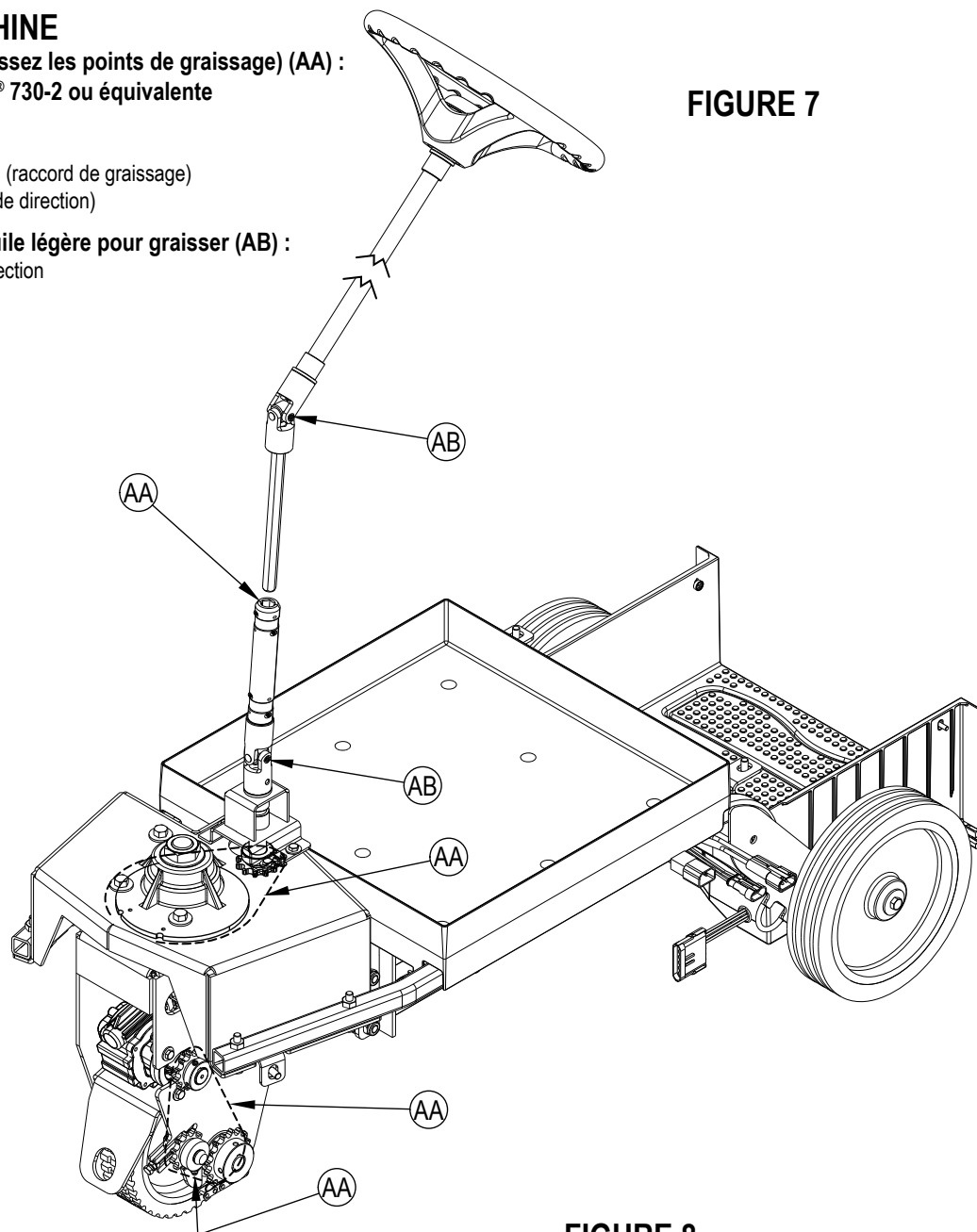
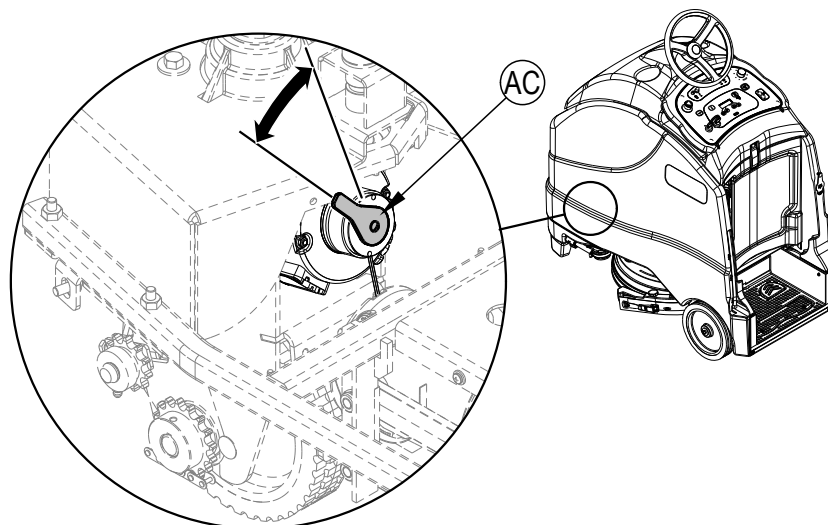


FIGURE 8

## FREIN ÉLECTROMAGNÉTIQUE

Voir Figure 8. Le moteur de la roue motrice est doté d'un frein électromagnétique intégré qui est activé dès que l'interrupteur à clé (A) est en position d'arrêt ou que la pédale d'entraînement (18) n'est pas enfoncée, la machine étant en position neutre. Ce frein peut être contourné manuellement si nécessaire en atteignant l'arrière de la roue motrice avant et en tournant le bras de frein (AC) vers le haut comme illustré. Vous devez procéder ainsi uniquement si vous avez besoin de pousser ou de tirer la machine. N'oubliez pas de réengager le bras de frein dès que vous avez fini de déplacer la machine. **NOTE** : tournez la roue motrice à 45° vers la droite pour faciliter l'accès au bras de frein.



## CHARGEMENT DES BATTERIES HUMIDES

Chargez les batteries à chaque utilisation de la machine ou lorsque l'indicateur de charge de la batterie (F8) indique qu'elle n'est pas complètement chargée.

### AVERTISSEMENT !

Ne remplissez pas les batteries avant de les charger. Assurez-vous que les plaques sont simplement couvertes.

Chargez les batteries dans une zone bien aérée. Si l'acide de batterie entre en contact avec votre peau, rincez la zone contaminée à l'eau pendant 5 minutes et consultez un médecin.

Ne fumez pas lorsque vous procédez à l'entretien des batteries.

#### Lors de l'entretien des batteries...

- \* Retirez tous vos bijoux.
- \* Ne fumez pas.
- \* Portez des lunettes de protection, ainsi qu'un tablier et des gants en caoutchouc.
- \* Travaillez dans une zone bien aérée.
- \* Veillez à ce que les outils ne touchent pas plusieurs bornes de batterie en même temps.
- \* Débranchez TOUJOURS le câble de polarité négative (terre) en premier lors du remplacement des batteries afin d'éviter des étincelles.
- \* Branchez TOUJOURS le câble négatif en dernier lors de l'installation des batteries.

#### Si votre machine est livrée avec un chargeur de batterie embarqué, procédez comme suit :

- 1 Placez l'interrupteur à clé (A) en position d'arrêt.
- 2 **Voir Figure 9.** Ouvrez le coffret du panneau de commande (13) et fixez la tige de support (32).
- 3 Videz le réservoir de récupération (15) à l'aide de son tuyau de vidange (30). Inclinez le réservoir de récupération (15) vers l'arrière pour assurer une bonne aération.
- 4 Déroulez le cordon électrique du chargeur embarqué, situé à l'avant de la machine, et branchez-le à une prise correctement reliée à la terre. Consultez le manuel du fabricant pour obtenir des consignes plus détaillées sur l'utilisation. **NOTE** : l'écran du chargeur de batterie [4] s'affiche sur l'affichage graphique (F) quand un courant alternatif est appliqué au chargeur embarqué (pendant cette période, toutes les fonctions de la machine sont désactivées). Cet écran affiche l'indicateur de charge de la batterie (F8) et le type de batterie (F9).
- 5 L'indicateur de charge de la batterie (F8) affiche une charge pleine dès que le chargement des batteries est terminé.

#### Si votre machine est livrée sans chargeur de batterie embarqué, procédez comme suit :

- 1 Placez l'interrupteur à clé (A) en position d'arrêt.
- 2 **Voir Figure 9.** Ouvrez le coffret du panneau de commande (13) et fixez la tige de support (32).
- 3 Videz le réservoir de récupération (15) à l'aide de son tuyau de vidange (30). Inclinez le réservoir de récupération (15) vers l'arrière pour assurer une bonne aération.
- 4 Débranchez les batteries de la machine et enfoncez le connecteur du chargeur dans le connecteur de la batterie de la machine (33). Suivez les instructions figurant sur le chargeur de batterie. **NOTE POUR L'ENTRETIEN** : veillez à brancher le chargeur de batterie dans le connecteur qui se fixe aux batteries.

### ATTENTION !

Pour éviter d'endommager le sol, essuyez l'eau et l'acide situés au sommet des batteries après un chargement. Un chargement insuffisant ou excessif réduira la durée de vie de la batterie et limitera ses performances. Assurez-vous de SUIVRE ATTENTIVEMENT LES INSTRUCTIONS DE CHARGEMENT !

## VÉRIFICATION DU NIVEAU D'EAU DE LA BATTERIE

Vérifiez le niveau d'eau des batteries au moins une fois par semaine.

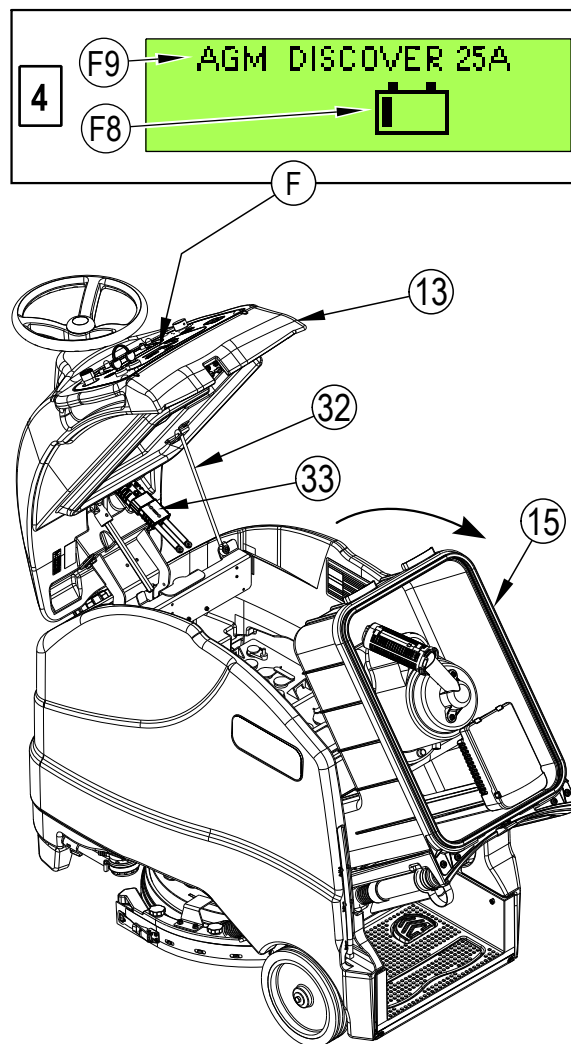
Retirez les bouchons à évent et vérifiez le niveau d'eau dans chaque cellule de batterie. Utilisez un distributeur rempli d'eau distillée ou déminéralisée (disponible dans la plupart des magasins de pièces automobiles) pour remplir chaque cellule jusqu'au niveau indicateur (0,39 pouce ou 10 mm au-dessus du sommet des séparateurs). NE remplissez PAS trop les batteries !

### ATTENTION !

De l'acide peut être projeté sur le sol si les batteries sont trop remplies.

Serrez les bouchons à évent. Lavez les sommets des batteries avec une solution de bicarbonate de soude et d'eau (2 cuillères à soupe de bicarbonate de soude pour 1 litre d'eau).

FIGURE 9



## CHARGEMENT DES BATTERIES SÈCHES / AGM (VRLA)

Chargez les batteries à chaque utilisation de la machine ou lorsque l'indicateur de charge de la batterie (F8) indique qu'elle n'est pas complètement chargée.

### AVERTISSEMENT !

Chargez les batteries dans une zone bien aérée. Si l'acide de batterie entre en contact avec votre peau, rincez la zone contaminée à l'eau pendant 5 minutes et consultez un médecin.

Ne fumez pas lorsque vous procédez à l'entretien des batteries.

#### Lors de l'entretien des batteries...

- \* Retirez tous vos bijoux.
- \* Ne fumez pas.
- \* Portez des lunettes de protection, ainsi qu'un tablier et des gants en caoutchouc.
- \* Travaillez dans une zone bien aérée.
- \* Veillez à ce que les outils ne touchent pas plusieurs bornes de batterie en même temps.
- \* Débranchez TOUJOURS le câble de polarité négative (terre) en premier lors du remplacement des batteries afin d'éviter des étincelles.
- \* Branchez TOUJOURS le câble négatif en dernier lors de l'installation des batteries.

### ATTENTION !

La batterie au plomb-acide à régulation par soupape (VRLA) vous offrira des performances et une durée de vie supérieures UNIQUEMENT SI VOUS LA RECHARGEZ CORRECTEMENT ! Un chargement insuffisant ou excessif réduira la durée de vie de la batterie et limitera ses performances. Assurez-vous de SUIVRE ATTENTIVEMENT LES INSTRUCTIONS DE CHARGEMENT ! N'ESSAYEZ PAS D'OUVRIR CETTE BATTERIE ! Si vous ouvrez une batterie VRLA, elle perdra sa pression et les plaques seront contaminées par l'oxygène. LA GARANTIE SERA ANNULÉE SI LA BATTERIE EST OUVERTE.

Si votre machine est livrée avec un chargeur de batterie embarqué, procédez comme suit :

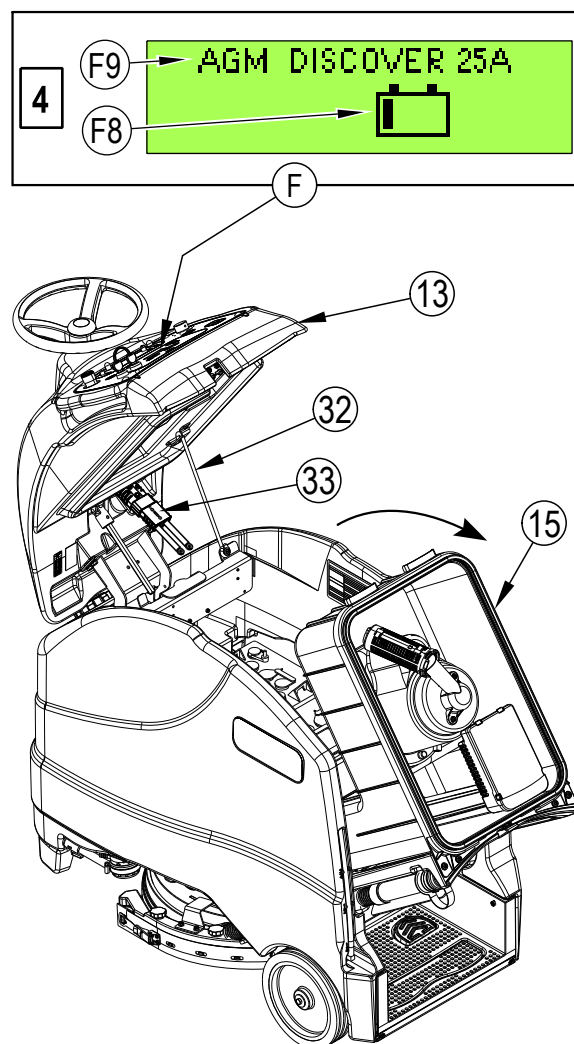
- 1 Placez l'interrupteur à clé (A) en position d'arrêt.
- 2 **Voir Figure 9.** Ouvrez le coffret du panneau de commande (13) et fixez la tige de support (32).
- 3 Videz le réservoir de récupération (15) à l'aide de son tuyau de vidange (30). Inclinez le réservoir de récupération (15) vers l'arrière pour assurer une bonne aération.
- 4 Déroulez le cordon électrique du chargeur embarqué, situé à l'avant de la machine, et branchez-le à une prise correctement reliée à la terre. Consultez le manuel du fabricant pour obtenir des consignes plus détaillées sur l'utilisation. **NOTE** : l'écran du chargeur de batterie [4] s'affiche sur l'affichage graphique (F) quand un courant alternatif est appliqué au chargeur embarqué (pendant cette période, toutes les fonctions de la machine sont désactivées). Cet écran affiche l'indicateur de charge de la batterie (F8) et le type de batterie (F9).
- 5 L'indicateur de charge de la batterie (F8) affiche une charge pleine dès que le chargement des batteries est terminé.

Si votre machine est livrée sans chargeur de batterie embarqué, procédez comme suit :

- 1 Placez l'interrupteur à clé (A) en position d'arrêt.
- 2 **Voir Figure 9.** Ouvrez le coffret du panneau de commande (13) et fixez la tige de support (32).
- 3 Videz le réservoir de récupération (15) à l'aide de son tuyau de vidange (30). Inclinez le réservoir de récupération (15) vers l'arrière pour assurer une bonne aération.
- 4 Débranchez les batteries de la machine et enfoncez le connecteur du chargeur dans le connecteur de la batterie de la machine (33). Suivez les instructions figurant sur le chargeur de batterie. **NOTE POUR L'ENTRETIEN** : veillez à brancher le chargeur de batterie dans le connecteur qui se fixe aux batteries.

**IMPORTANT** : assurez-vous d'utiliser un chargeur adapté aux batteries à cellule sèche. Utilisez uniquement des chargeurs « à tension régulée » ou « à tension limitée ». N'utilisez JAMAIS des chargeurs standards à courant constant ou à courant alternatif. Il est recommandé d'utiliser un chargeur à détection de température, car les réglages manuels manquent de précision et risquent d'endommager toutes les batteries VRLA.

FIGURE 9



## ENTRETIEN DE LA RACLETTE

Si la raclette ne ramasse pas toute l'eau ou laisse des traces derrière elle, il est possible que ses lames soient sales ou endommagées. Enlevez la raclette, rincez-la sous l'eau chaude et vérifiez les lames. Si les lames sont abîmées, tordues ou usées, remplacez-les ou retournez-les.

### Pour retourner ou remplacer la lame arrière de la raclette...

- 1 Voir Figure 10. Soulevez le plateau de lavage et la raclette du sol, puis déverrouillez le loquet de démontage de la lame arrière de la raclette (23).
- 2 Retirez la sangle de tension (AA).
- 3 Faites glisser la lame arrière (AB) hors des goupilles de positionnement.
- 4 Cette lame de raclette présente 4 chants de travail. Tournez la lame de sorte qu'un chant propre et non endommagé pointe vers l'avant de la machine. Si les 4 chants sont très abîmés, tordus ou usés, remplacez la lame.
- 5 Installez la lame en suivant ces étapes dans l'ordre inverse et réglez l'inclinaison de la raclette si nécessaire.

### Pour retourner ou remplacer la lame avant de la raclette...

- 1 Soulevez la raclette du sol, puis tournez la raclette vers l'extérieur de la machine pour faciliter l'accès. Débranchez le tuyau de la raclette (AD). Comprimez la partie arrière du support de montage de la raclette (AE) pour ouvrir le support et retirez la raclette de la machine.
- 2 Desserrez les quatre boutons de la raclette (11). Ensuite, soulevez le couvercle de la raclette (AF) pour le démonter de la pièce moulée de la raclette (AG).
- 3 Faites glisser la lame avant (AH) hors des goupilles de positionnement.
- 4 Cette lame de raclette présente 4 chants de travail. Tournez la lame de sorte qu'un chant propre et non endommagé pointe vers l'avant de la machine. Si les 4 chants sont très abîmés, tordus ou usés, remplacez la lame.
- 5 Installez la lame en suivant ces étapes dans l'ordre inverse et réglez l'inclinaison de la raclette si nécessaire.

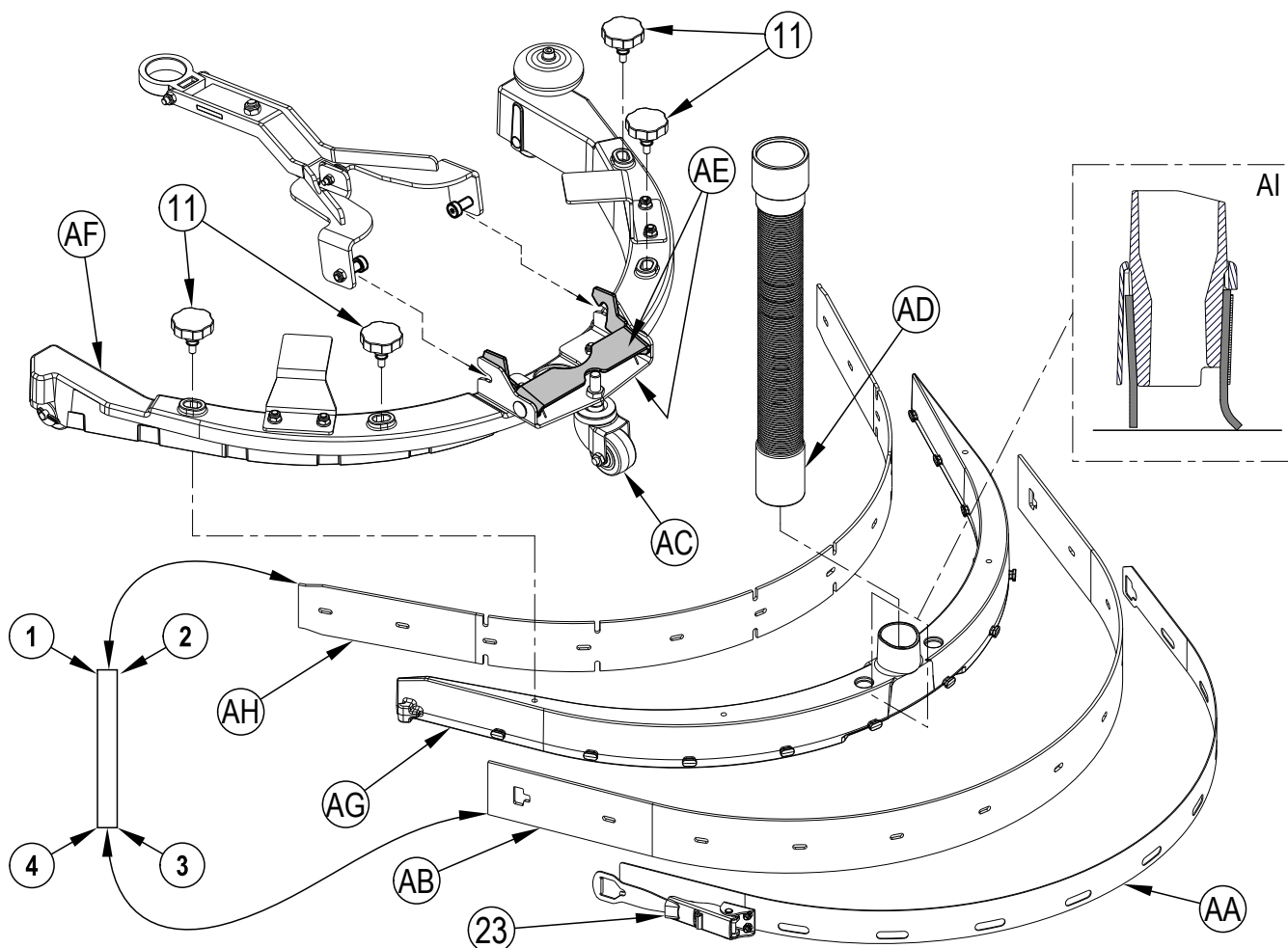
## RÉGLAGE DE LA RACLETTE

Il n'existe qu'un seul réglage possible de la raclette : l'inclinaison.

Réglez l'inclinaison de la raclette si cette dernière ne sèche pas le sol.

- 1 Garez la machine sur une surface plane et uniforme, puis abaissez la raclette. Faites ensuite avancer la machine jusqu'à ce que les lames de la raclette se retournent vers l'arrière.
- 2 Réglez l'inclinaison de la raclette à l'aide de la roulette arrière (AC) afin que la lame arrière de la raclette touche le sol de manière uniforme sur toute sa largeur et qu'elle soit légèrement courbée comme illustré sur la coupe transversale de la raclette (AI).

FIGURE 10



## DÉPANNAGE GÉNÉRAL DE LA MACHINE

Problème	Cause possible	Solution
Mauvaise récupération de l'eau	Lames de raclette usées ou tordues	Retourner ou remplacer
	Raclette mal réglée	Régler les lames de telle sorte qu'elles touchent le sol de manière uniforme sur toute leur largeur
	Réservoir de récupération plein	Vider le réservoir de récupération
	Fuite du tuyau de vidange du réservoir de récupération (30)	Serrer le bouchon du tuyau de vidange ou remplacer
	Fuite au niveau du joint du couvercle du réservoir de récupération (13)	Remplacer le joint / Repositionner le couvercle correctement.
	Débris coincés dans la raclette (10)	Nettoyer la raclette
	Tuyau de récupération entre la raclette et le réservoir de récupération colmaté	Enlever les débris
	Aspiration réglée sur le mode silencieux	Régler l'aspiration sur élevée
Mauvaises performances de lavage	Brosse ou tampon usé(e)	Remplacer la brosse ou le tampon
	Mauvais type de brosse ou de tampon	Consulter Advance
	Produit chimique inadapté	Consulter Advance
	Déplacement trop rapide de la machine	Ralentir
	Utilisation d'une quantité de solution trop faible	Augmenter le débit de solution
Débit de solution incorrect ou inexistant	Réservoir de solution vide	Remplir le réservoir de solution
	Conduites, vannes ou filtre de solution (26) colmatés	Rincer les conduites et nettoyer le filtre de solution
	Vanne d'arrêt de la solution (27) fermée	Ouvrir la vanne d'arrêt de la solution
	Électrovanne de solution (25)	Nettoyer ou remplacer l'électrovanne
La machine ne se met pas sous tension	Connecteur de batterie (33) débranché	Rebrancher les connecteurs de batterie
	Disjoncteur de 5 A (E) déclenché	Vérifier la présence d'un court-circuit et réarmer
	Défaillance de l'interrupteur à clé (A)	<b>(contacter un centre technique agréé Advance)</b>
Pas d'entraînement avance / recul des roues	Interrupteur d'arrêt d'urgence (B) déclenché	Réarmer l'interrupteur d'arrêt d'urgence
	Contrôleur de vitesse du système d'entraînement	Vérifier les codes d'erreur <b>(contacter un centre technique agréé Advance)</b>
	Disjoncteur de 50 A (D) déclenché	Vérifier une éventuelle surcharge du moteur d'entraînement
Aucun débit de détergent	Bidon de détergent (3) vide	Remplir le bidon de détergent
	Conduite de débit de détergent tordue ou colmatée	Vidanger le système et redresser les conduites pour éliminer les torsions.
	Pompe à détergent	Vérifier la pompe, le câblage et les conduites

## ACCESSOIRES / OPTIONS

En plus des composants standard, la machine peut être dotée des options / accessoires suivants, en fonction de son utilisation spécifique :

- Brosses avec des poils plus durs ou plus souples
- Tampons avec une abrasivité plus ou moins importante
- Chargeur autonome
- Indicateur de batterie pleine

Pour de plus amples informations sur les accessoires précités, veuillez contacter un revendeur agréé.

## SPÉCIFICATIONS TECHNIQUES (telles qu'installées et testées sur l'unité)

Modèle		SC1500-X20D	SC1500-X20R
N° de modèle		56104000	56104001
Tension, batteries	V	24 V	24 V
Capacité de la batterie	Ah	260	260
Niveau de protection		IPX3	IPX3
Niveau de pression sonore IEC 60335-2-72 : 2002 Modif. 1:2005, ISO 11201	dB(A)	63 dB LpA, ±3 dB KpA	62 dB LpA, ±3 dB KpA
Poids brut du véhicule / poids de transport	livres / kg	897 / 407	897 / 407
Poids à vide	livres / kg	620 / 281	620 / 281
Charge de roue maximum au sol (avant centre)	psi / N/mm <sup>2</sup>	160 / 1,10	160 / 1,10
Charge de roue maximum au sol (arrière droit)	psi / N/mm <sup>2</sup>	139 / 0,96	139 / 0,96
Charge de roue maximum au sol (arrière gauche)	psi / N/mm <sup>2</sup>	135 / 0,93	135 / 0,93
Vibrations au niveau des commandes manuelles (ISO 5349-1)	m/s <sup>2</sup>	0,17	0,82
Vibrations pour l'ensemble du corps (ISO 2631-1)	m/s <sup>2</sup>	0,01	0,13
Transport en pente		14 % (7,1°)	14 % (7,1°)
Nettoyage en pente		8,3 % (4,75°)	8,3 % (4,75°)

### Composition des matériaux et recyclabilité

Type	% du poids de la machine	% recyclable
Aluminium	2 %	100 %
Système électrique / moteurs électriques / moteurs – divers	14 %	38 %
Métaux ferreux	41 %	100 %
Faisceaux / câbles	6 %	83 %
Liquides	0 %	0 %
Plastique – non recyclable	4 %	0 %
Plastique – recyclable	5 %	100 %
Polyéthylène	27 %	90 %
Caoutchouc	1 %	33 %











Nilfisk-Advance Equipamentos de Limpeza Ltda.  
Av. Dep. Emílio Carlos, 2.499 - Bairro do Limão - 02721-200  
São Paulo - SP - Brasil  
[www.nilfisk-advance.ind.br](http://www.nilfisk-advance.ind.br)  
[www.plataforma.ind.br](http://www.plataforma.ind.br)  
Tel.: (11) 3959-0300  
Fax: (11) 3959-0306  
©2013 Nilfisk-Advance, Inc.



14600 21st Avenue North  
Plymouth, MN 55447-3408  
[www.advance-us.com](http://www.advance-us.com)  
Phone: 800-989-2235  
Fax: 800-989-6566  
©2013 Nilfisk-Advance, Inc.

---

**A Nilfisk-Advance Brand**