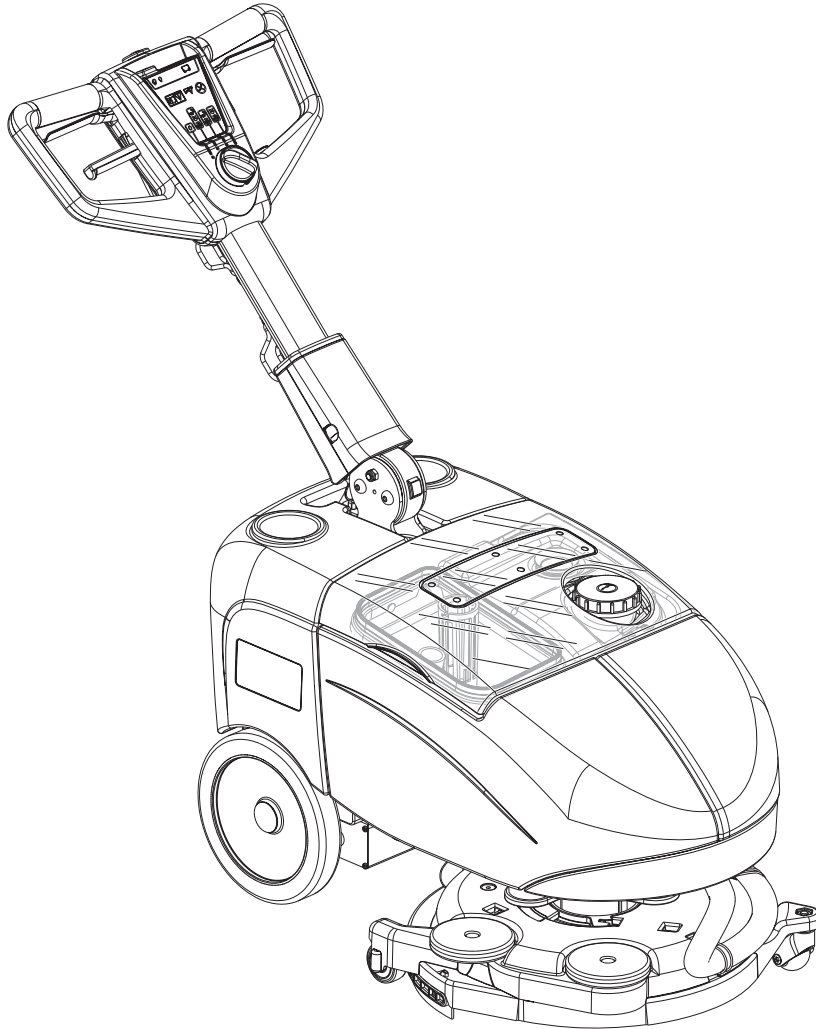


SC351



INSTRUCTION FOR USE
INSTRUCTIONS D'UTILISATION
INSTRUCCIONES DE USO
INSTRUÇÕES DE USO

Advance model: 9087342020

ENGLISH

FRANÇAIS

ESPAÑOL

PORTUGUÊS

TABLE OF CONTENTS

INTRODUCTION	2
MANUAL PURPOSE AND CONTENTS	2
TARGET	2
HOW TO KEEP THIS MANUAL	2
IDENTIFICATION DATA	2
OTHER REFERENCE MANUALS	2
SPARE PARTS AND MAINTENANCE	2
CHANGES AND IMPROVEMENTS	2
OPERATION CAPABILITIES	3
CONVENTIONS	3
UNPACKING/DELIVERY	3
SAFETY	3
VISIBLE SYMBOLS ON THE MACHINE	3
SYMBOLS THAT APPEAR ON THIS MANUAL	4
GENERAL INSTRUCTIONS	4
MACHINE DESCRIPTION	6
MACHINE STRUCTURE	6
HANDLEBAR WITH CONTROL PANEL	7
ACCESSORIES/OPTIONS	7
TECHNICAL DATA	8
WIRING DIAGRAM	9
USE	10
BATTERY CHECK/SETTING ON A NEW MACHINE	10
BEFORE MACHINE START-UP	10
MACHINE START AND STOP	11
MACHINE OPERATION (SCRUBBING/DRYING)	12
MACHINE TRANSPORT/PARKING	13
TANK EMPTYING	13
AFTER USING THE MACHINE	14
MACHINE LONG INACTIVITY	14
MAINTENANCE	14
SCHEDULED MAINTENANCE TABLE	14
BATTERY INSTALLATION/REPLACEMENT	15
BATTERY CHARGING	15
MACHINE SPEED ADJUSTMENT	16
SQUEEGEE CLEANING	17
SQUEEGEE BLADE CHECK AND REPLACEMENT	17
BRUSH CLEANING	18
TANK, COVER AND VACUUM GRID CLEANING	18
VACUUM SYSTEM GASKET CLEANING	18
FUSE CHECK/REPLACEMENT/RESET	19
TROUBLESHOOTING	19
SCRAPPING	20

INTRODUCTION



NOTE

The numbers in brackets refer to the components shown in Machine Description chapter.

MANUAL PURPOSE AND CONTENTS

The purpose of this Manual is to provide the operator with all necessary information to use the machine properly, in a safe and autonomous way. It contains information about technical data, safety, operation, storage, maintenance, spare parts and disposal. Before performing any procedure on the machine, the operators and qualified technicians must read this Manual carefully. Contact Advance in case of doubts concerning the interpretation of the instructions and for any further information.

TARGET

This Manual is intended for operators and technicians qualified to perform the machine maintenance.

The operator must not perform procedures reserved for qualified technicians. Advance will not be answerable for damages coming from the non-observance of this prohibition.

HOW TO KEEP THIS MANUAL

The Instructions for use Manual must be kept near the machine, inside an adequate case, away from liquids and other substances that can cause damage to it.

IDENTIFICATION DATA

The machine serial number and model name are marked on the plate (1).

Product number and year of production are marked on the same plate.

This information is useful when requiring machine spare parts. Use the following table to write down the machine identification data.

MACHINE model
PRODUCT code
MACHINE serial number

OTHER REFERENCE MANUALS

- Electronic Battery Charger Manual (to be considered as integral part of this Manual)
- Spare Parts List (supplied with the machine)
- Service Manual (that can be consulted at Advance Service Centers)

SPARE PARTS AND MAINTENANCE

All necessary operating, maintenance and repair procedures must be performed by qualified personnel or by Advance Service Centers. Only original spare parts and accessories must be used.

Contact Advance for service or to order spare parts and accessories, specifying the machine model, product code and serial number.

CHANGES AND IMPROVEMENTS

Advance constantly improves its products and reserves the right to make changes and improvements at its discretion without being obliged to apply such benefits to the machines that were previously sold.

Any change and/or addition of accessories must be approved and performed by Advance.

OPERATION CAPABILITIES

This scrubber-dryer is used to clean (scrubbing and drying) smooth and solid floors, in civil or industrial environment, under safe operation conditions by a qualified operator.

The scrubber-dryer cannot be used for fitted carpet and carpet cleaning.

CONVENTIONS

Forward, backward, front, rear, left or right are intended with reference to the operator's position, that is to say in driving position with the hands on the handlebar (2).

UNPACKING/DELIVERY

To unpack the machine, carefully follow the instructions on the packing.

Upon delivery carefully check that the machine and its packing have not been damaged during transportation. In case of visible damages, keep the packing and have it checked by the carrier that delivered it. Call the carrier immediately to fill in a damage claim.

Please check that the following items have been supplied with the machine:

- Technical documents:
 - Scrubber-dryer Instructions for use Manual
 - Battery Charger Manual
 - Scrubber-dryer Spare Parts List
 - No. 2 lamellar fuses



WARNING!

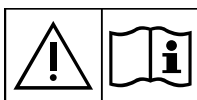
The Products sold with this Manual contain or may contain chemicals that are known to certain governments (such as the State of California, as identified in its Proposition 65 Regulatory Warning Law) to cause cancer, birth defects or other reproductive harm. In certain locations (including the State of California) purchasers of these Products that place them in service at an employment job site or a publicly accessible space are required by regulation to make certain notices, warnings or disclosures regarding the chemicals that are or may be contained in the Products at or about such work sites. It is the purchaser's responsibility to know the content of, and to comply with, any laws and regulations relating to the use of these Products in such environments. The Manufacturer disclaims any responsibility to advise purchasers of any specific requirements that may be applicable to the use of the Products in such environments.

SAFETY

The following symbols indicate potentially dangerous situations. Always read this information carefully and take all necessary precautions to safeguard people and property.

The operator's cooperation is essential in order to prevent injury. No accident prevention program is effective without the total cooperation of the person responsible for the machine operation. Most of the accidents that may occur in a factory, while working or moving around, are caused by failure to comply with the simplest rules for exercising prudence. A careful and prudent operator is the best guarantee against accidents and is essential for successful completion of any prevention program.

VISIBLE SYMBOLS ON THE MACHINE



WARNING!

Carefully read all the instructions before performing any operation on the machine.



WARNING!

Do not wash the machine with direct or pressurized water jets.



WARNING!

Do not use the machine on slopes with a gradient exceeding the specifications.

SYMBOLS THAT APPEAR ON THIS MANUAL



DANGER!

It indicates a dangerous situation with risk of death for the operator.



WARNING!

It indicates a potential risk of injury for people or damage to objects.



CAUTION!

It indicates a caution or a remark related to important or useful functions. Pay careful attention to the paragraphs marked by this symbol.



NOTE

It indicates a remark related to important or useful functions.



CONSULTATION

It indicates the necessity to refer to the Instructions for use Manual before performing any procedure.

GENERAL INSTRUCTIONS

Specific warnings and cautions to inform about potential damages to people and machine are shown below.



DANGER!

- *Before performing any cleaning, maintenance, repair or replacement procedure, turn the function selection knob to “0” and disconnect the battery connector.*
- *This machine must be used by properly trained operators only.*
- *Do not wear jewels when working near electrical components.*
- *Do not work under the lifted machine without supporting it with safety stands.*
- *Do not operate the machine near toxic, dangerous, flammable and/or explosive powders, liquids or vapors: This machine is not suitable for collecting dangerous powders.*
- *Keep the battery away from sparks, flames and incandescent material. During the normal operation explosive gases are released.*
- *Battery charging produces highly explosive hydrogen gas. Keep the cover open during battery charging and perform this procedure in well-ventilated areas and away from naked flames.*



WARNING!

- *Carefully read all the instructions before performing any maintenance/repair procedure.*
- *Before using the battery charger, ensure that frequency and voltage values, indicated on the machine serial number plate, match the electrical mains voltage.*
- *Do not pull or carry the machine by the battery charger cable and never use the battery charger cable as a handle. Do not close a door on the battery charger cable, or pull the battery charger cable around sharp edges or corners. Do not run the machine on the battery charger cable.*
- *Keep the battery charger cable away from heated surfaces.*
- *Do not use the machine if the battery charger cable or plug is damaged. If the machine is not working as it should, has been damaged, left outdoors or dropped into water, return it to the Service Center.*
- *To reduce the risk of fire, electric shock, or injury, do not leave the machine unattended when it is plugged in. Before performing any maintenance procedure, disconnect the battery charger cable from the electrical mains.*
- *Do not smoke while charging the battery.*
- *Always protect the machine against the sun, rain and bad weather, both under operation and inactivity condition. Store the machine indoors, in a dry place: This machine must be used in dry conditions, it must not be used or kept outdoors in wet conditions.*
- *Before using the machine, close all doors and/or covers as shown in the Instructions for use Manual.*

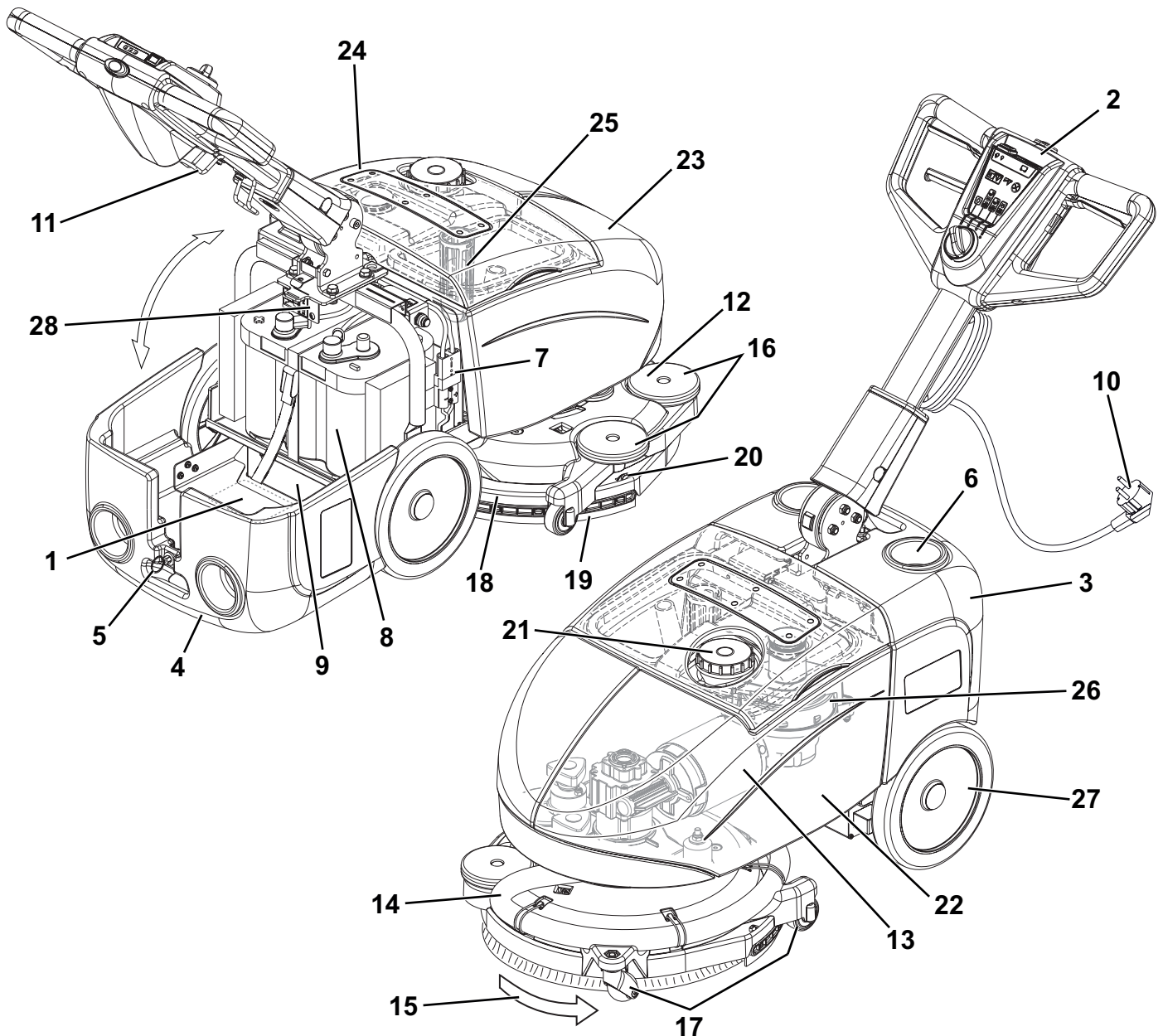
**WARNING!**

- *This machine is not intended for use by persons (including children) with reduced physical, sensory or mental capabilities, or lack of experience and knowledge, unless they have been given supervision or instruction concerning use of the machine by a person responsible for their safety. Children should be supervised to ensure that they do not play with the machine.*
- *Close attention is necessary when used near children.*
- *Use only as shown in this Manual. Use only Advance's recommended accessories.*
- *Check the machine carefully before each use, always check that all the components have been assembled before use. If the machine is not perfectly assembled it can cause damages to people and properties.*
- *Take all necessary precautions to prevent hair, jewels and loose clothes from being caught by the machine moving parts.*
- *Pay attention to the machine moving parts. When using the machine, the deck can abruptly turn by 180°.*
- *Do not use the machine on incline.*
- *Do not tilt the machine more than the angle indicated on the machine itself, in order to prevent instability.*
- *Do not use the machine in particularly dusty areas.*
- *Use the machine only where a proper lighting is provided.*
- *While using this machine, take care not to cause damage to people or objects.*
- *Do not bump into shelves or scaffoldings, especially where there is a risk of falling objects.*
- *Do not lean liquid containers on the machine, use the relevant can holder.*
- *The machine operating temperature must be between +32°F and 104°F (0°C and +40°C).*
- *The machine storage temperature must be between +32°F and 104°F (0°C and +40°C).*
- *The humidity must be between 30% and 95%.*
- *When using floor cleaning detergents, follow the instructions on the labels of the detergent bottles.*
- *To handle floor cleaning detergents, wear suitable gloves and protections.*
- *Do not use the machine as a means of transport.*
- *Do not allow the brush to operate while the machine is stationary to avoid damaging the floor.*
- *In case of fire, use a powder fire extinguisher, not a water one.*
- *Do not tamper with the machine safety guards and follow the ordinary maintenance instructions scrupulously.*
- *Do not allow any object to enter into the openings. Do not use the machine if the openings are clogged. Always keep the openings free from dust, hairs and any other foreign material which could reduce the air flow.*
- *Do not remove or modify the plates affixed to the machine.*
- *This machine cannot be used on roads or public streets.*
- *Pay attention during machine transportation when temperature is below freezing point. The water in the recovery tank or in the hoses could freeze and seriously damage the machine.*
- *Use brushes and pads supplied with the machine or those specified in the Instructions for use Manual. Using other brushes or pads could reduce safety.*
- *In case of machine malfunctions, ensure that these are not due to lack of maintenance. If necessary, request assistance from the authorised personnel or from an authorised Service Center.*
- *If parts must be replaced, require ORIGINAL spare parts from an Authorised Dealer or Retailer.*
- *To ensure machine proper and safe operation, the scheduled maintenance shown in the relevant chapter of this Manual, must be performed by the authorised personnel or by an authorised Service Center.*
- *Do not wash the machine with direct or pressurised water jets, or with corrosive substances.*
- *The machine must be disposed of properly, because of the presence of toxic-harmful materials (battery, etc.), which are subject to standards that require disposal in special centres (see Scrapping chapter).*

MACHINE DESCRIPTION

MACHINE STRUCTURE

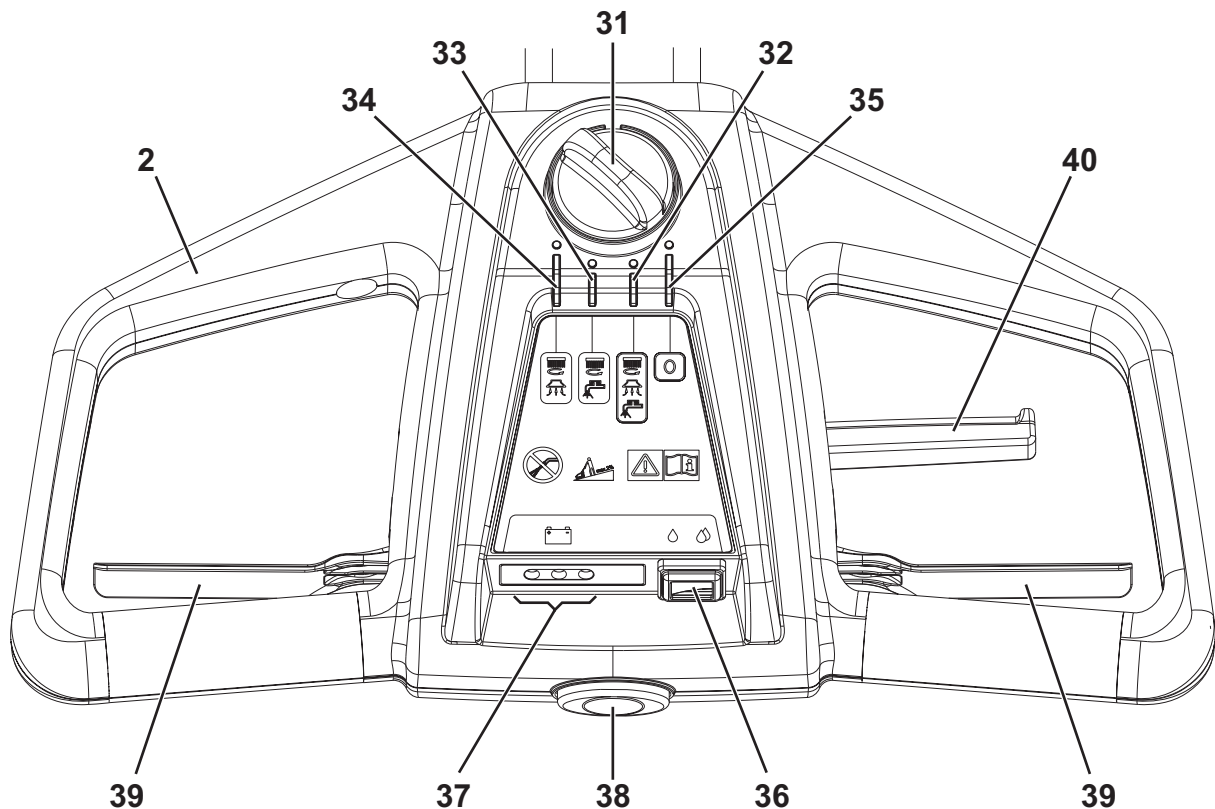
- | | |
|---|---|
| 1. Serial number plate/technical data/conformity certification | 14. Squeegee vacuum hose |
| 2. Handlebar with control panel (see the following paragraph) | 15. Brush rotation direction |
| 3. Accessory and battery compartment cover (closed) | 16. Deck bumper wheels |
| 4. Accessory and battery compartment cover (open) | 17. Brush deck wheels |
| 5. Cover latch | 18. Squeegee |
| 6. Can holder | 19. Squeegee blades assembly |
| 7. Battery connection connector. This connector also works as EMERGENCY push-button, to stop immediately all functions. | 20. Squeegee fasteners |
| 8. GEL/AGM battery | 21. Solution tank filler plug |
| 9. Battery charger | 22. Solution tank |
| 10. Battery charger cable | 23. Recovery tank |
| 11. Battery charger cable holder | 24. Transparent cover with vacuum grid |
| 12. Brush/pad-holder deck | 25. Vacuum grid with automatic shut-off float |
| 13. Brush deck gearmotor | 26. Vacuum system motor |
| | 27. Rear wheels on fixed axle |
| | 28. Fuses |



P100404

HANDLEBAR WITH CONTROL PANEL

- | | |
|--|--|
| <p>31. Function selection knob</p> <p>32. Scrubbing and drying program: brush - vacuum system - solution flow activation</p> <p>33. Scrubbing program: brush - solution flow activation</p> <p>34. Drying program: brush - vacuum system activation</p> <p>35. Machine switching off "0"</p> | <p>36. Solution flow switch</p> <ul style="list-style-type: none"> • One drop - "ECO" solution flow • Two drops - Maximum solution flow <p>37. Battery charge LED indicators</p> <ul style="list-style-type: none"> • Green warning light - charged battery • Yellow warning light - semi-discharged battery • Red warning light - discharged battery <p>38. Machine start-up enabling push-button</p> <p>39. Brush levers</p> <p>40. Handlebar inclination adjusting lever</p> |
|--|--|



P100405

ACCESSORIES/OPTIONS

In addition to the standard components, the machine can be equipped with the following accessories/options, according to the machine specific use:

- Brushes of different materials
- Pads of different materials

For further information concerning the optional accessories, contact an authorised Retailer.

TECHNICAL DATA

Description	SC351
Solution tank capacity	2.9 USgal (11 liters)
Recovery tank capacity	2.9 USgal (11 liters)
Min/max machine length at the handlebar	31.9 in / 50 in (810 mm / 1270 mm)
Machine width	18.5 in (470 mm)
Min/max machine height with adjustable handlebar	550 / 1000 mm (21.6 / 39.4 in)
Minimum width for turnaround	33.5 in (850 mm)
Cleaning width	14.5 in (370 mm)
Diameter of wheels on fixed axle	8.4 in (214 mm)
Wheel pressure on the floor	72.5 psi (0.5 N/mm ²)
Brush/pad diameter	14.5 in (370 mm)
Brush/pad pressure on the floor	40 lb (18 Kg)
Brush/pad pressure with full tank	60 lb (27 Kg)
Min/max solution flow	One drop, "ECO": 0.066 gpm (0.25 liters/min) Two drops: 0.13 gpm (0,5 liters/min)
Sound pressure level at workstation (ISO 11201, ISO 4871, EN 60335-2-72) (LpA)	65 dB(A) ± 3 dB(A)
Machine sound pressure level (ISO 3744, ISO 4871, EN 60335-2-72) (LwA)	84 dB(A)
Vibration level at the operator's arms (ISO 5349-1, EN 60335-2-72)	< 98.4 in/s ² (< 2.5 m/s ²)
Maximum gradient when working	2%
IP protection class	X4
Protection class (electric)	III
Vacuum system motor power	0.27 hp (200 W)
Vacuuming	27.7 in/H ₂ O (710 mmH ₂ O)
Brush/pad-holder motor power	0.35 hp (260 W)
Brush/pad-holder motor speed	120 rpm
Total absorbed power	42 A (0.5 kW)
Battery compartment size	17.8x6.9x9.4 in (350x175x240 mm)
Battery voltage	12 V
Standard battery	12V 84AhC5 AGM
Battery charger	100-240 VAC
Work autonomy (standard battery)	2 hour
Weight without battery and with empty tanks	95 lb (43 kg)
Gross vehicle weight (GVW)	176 lb (80 kg)
Shipping weight	172 lb (78 kg)

Machine material composition and recyclability

Type	Recyclable percentage	SC351 weight percentage
Aluminium	100%	18%
Electric motors - various	29%	9%
Ferrous materials	100%	20%
Wiring harness	80%	9%
Liquids	100%	0%
Plastic - non-recyclable material	0%	11%
Plastic - recyclable material	100%	18%
Polyethylene	92%	9%
Rubber	20%	7%

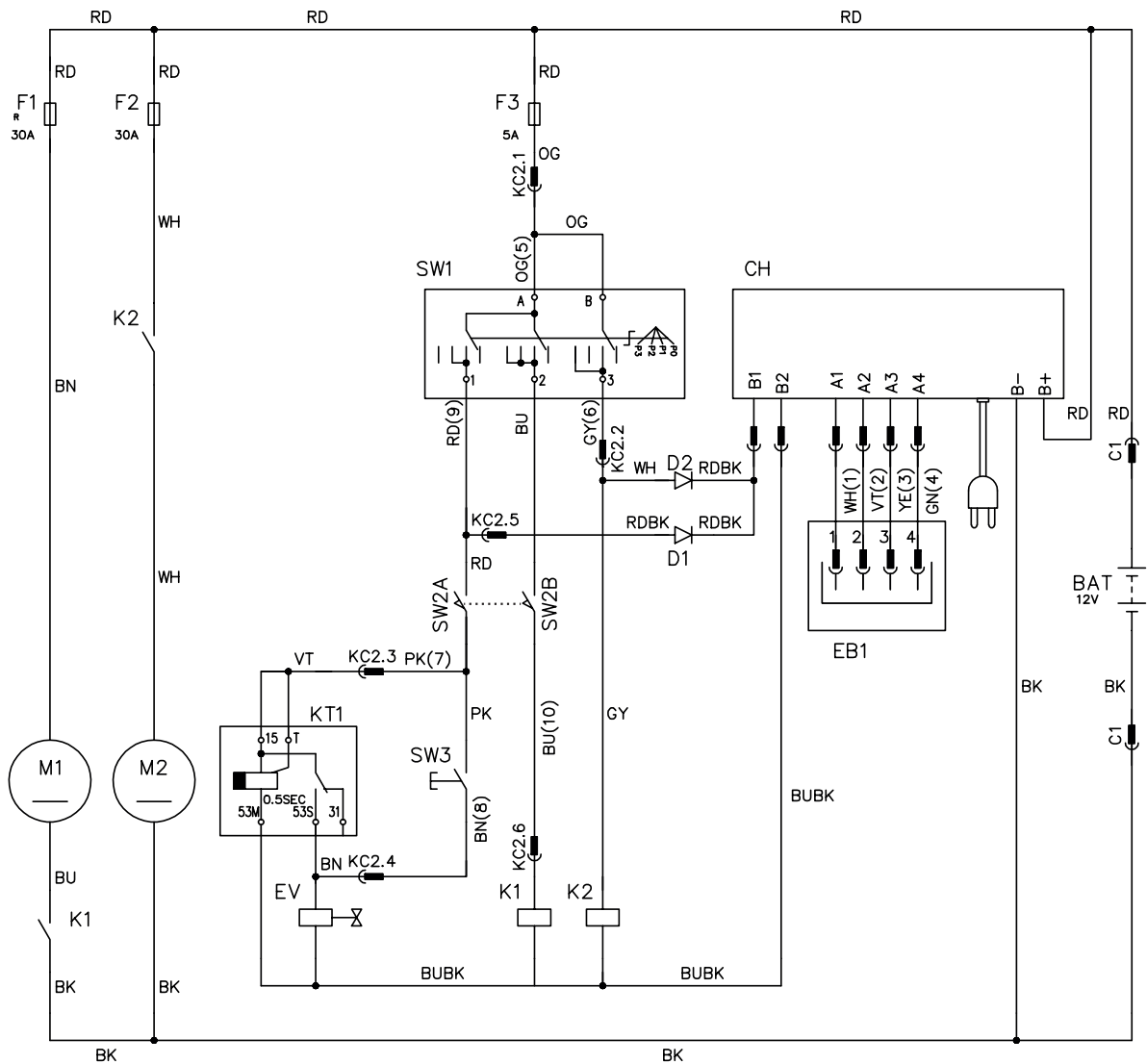
WIRING DIAGRAM

Key

BAT	12 V battery
CH	Battery charger
D1	Diode
D2	Diode
EB1	LED electronic board
EV	Detergent solenoid valve
F1	Brush motor circuit breaker (35 A)
F2	Vacuum system motor fuse (30 A)
F3	Function selector fuse (5 A)
K1	Brush motor relay
K2	Vacuum system motor relay
KT1	Solenoid valve timer
M1	Brush motor
M2	Vacuum system motor
SW1	Function selector
SW2	Brush motor-solenoid valve enabling switch
SW3	Detergent rate switch

Color codes

BK	Black
BU	Blue
BN	Brown
GN	Green
GY	Grey
OG	Orange
PK	Pink
RD	Red
VT	Violet
WH	White
YE	Yellow



P100406

USE



WARNING!

On some points of the machine there are some adhesive plates indicating:

- **DANGER**
- **WARNING**
- **CAUTION**
- **CONSULTATION**

While reading this Manual, the operator must pay particular attention to the symbols shown on the plates (see Visible Symbols On The Machine paragraph).

Do not cover these plates for any reason and immediately replace them if damaged.

BATTERY CHECK/SETTING ON A NEW MACHINE

The machine is supplied with one 12 V GEL/AGM battery already installed on the machine and ready to be used.

1. Open the cover (4) and check that the battery is connected to the machine with the connector (7).
2. Turn the function selection knob (31) to program (32). If the green warning light (37) turns on, the batteries are ready to be used.
3. If the yellow or red warning light turns on, the battery must be charged (see the procedure in Maintenance chapter).

BEFORE MACHINE START-UP

Brush/pad-holder installation/removal



NOTE

Install either the brush (A, Fig. 1) or the pad-holder (B and C) according to the type of floor to be cleaned.

1. Slightly lift the machine brush deck and place the brush under the deck.
2. Turn the function selection knob (31) to program (32).
3. Press the enabling push-button (38) together with the brush levers (39) to engage the brush/pad-holder.

Remove the brush/pad-holder deck by performing the following procedure:

4. Check that the function selection knob (31) is turned to "0".
5. Slightly lift the machine brush deck, then manually release the brush/pad-holder from the hub, by turning it abruptly in its normal rotation direction (D).

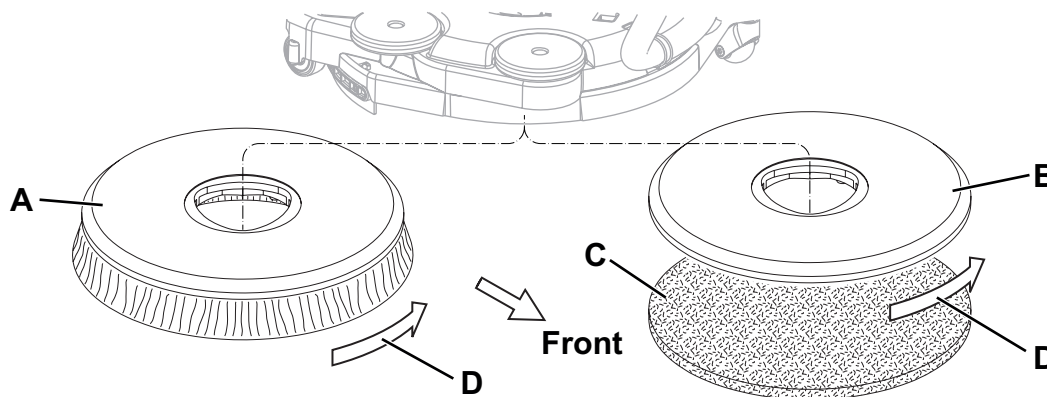


Figure 1

P100407

Available brushes and their relevant application guides (suggestions only)

	Models	MIDLITE GRIT 180	MIDGRIT 240	PROLITE	UNION MIX
General cleaning	Concrete				
	Terrazzo floor				
	Ceramic tiles/quarrestones				
	Marble				
	Vinyl tiles				
	Rubber tiles				
Polishing	Rubber tiles				
	Marble				
	Vinyl tiles				

Solution tank filling

6. Open the plug (21) and fill the tank (22) with a solution suitable for the work to be performed. Do not fill the solution tank completely, leave few centimeters from the edge. Always follow the dilution instructions on the label of the chemical product used to prepare the solution. The solution temperature must not exceed 104°F (40°C).

**CAUTION!**

Use only low-foam and non-flammable detergents, intended for automatic scrubber applications.

**WARNING!**




When using floor cleaning detergents, follow the instructions on the labels of the detergent bottles. To handle floor cleaning detergents, wear suitable gloves and protections.

Adjustments

7. Press the lever (40) and adjust the handlebar (2) to reach a comfortable position.

MACHINE START AND STOP**Starting the machine**

1. Prepare the machine as shown in the previous paragraph.
2. Turn the function selection knob (31) to turn on the machine and select one of the programs according to the following table:

Position	Symbol	Program
(32)		Scrubbing and drying. Brush - vacuum system - solution flow activation
(33)		Scrubbing. Brush - solution flow activation
(34)		Drying. Brush - vacuum system activation

3. Turn the solution flow control switch (36) to one of the following positions, according to the type of cleaning to be performed:
 - One drop: to scrub/clean floors which are not very dirty; in this condition the machine can work with an autonomy of 50 minutes (0.25 liters/min average).
 - Two drops: to scrub/clean floors which are quite or very dirty; in this condition the machine can work with an autonomy of 25 minutes (0.5 liters/min average).
4. While keeping the hands on the handlebar (2), start the machine by pressing the enabling push-button (38) together with the brush levers (39).

**NOTE**

If the green warning light (37) turns on, the machine is ready to be used. If the yellow or red warning light turns on, the battery must be charged (see the procedure in Maintenance chapter).

Stopping the machine

5. Release the brush levers (39) and the enabling push-button (38).
6. Turn the function selection knob (31) to "0" to turn off the machine.

**CAUTION!**

In case of immediate necessity and to stop all machine functions, disconnect the battery connector (7). Reset the machine functions by connecting again the connector.

MACHINE OPERATION (SCRUBBING/DRYING)

1. Start the machine as shown in the previous paragraph.
2. While keeping both hands on the handlebar (2), move the machine and start scrubbing/drying the floor.
3. If necessary, adjust the solution quantity by using the switch (36).
4. When necessary, to use the squeegee in the opposite direction, pry on the handlebar (2) and slightly lift the deck while the brush is turning. When the deck is turned by 180° start to scrub/dry by drawing the machine. To resume working in the normal forward direction, push the machine forward until the brush deck (12) returns to the original position.

**WARNING!**

Pay attention when lifting the deck with the brush turning: The deck will suddenly turn by 180°. Pay attention to the moving part, do not hit and/or damage things, walls or people.

**CAUTION!**

To avoid damaging the floor surface, do not use the brush without the solution and, when the machine is not operating, stop the brush/pad-holder by releasing the levers (39).

**CAUTION!**

Before lifting the brush/pad, turn it off by releasing the levers (39).

**NOTE**

For correct scrubbing/drying of floors at the sides of the walls, Advance suggests to go near the walls with the right side of the machine as shown in figure 2.

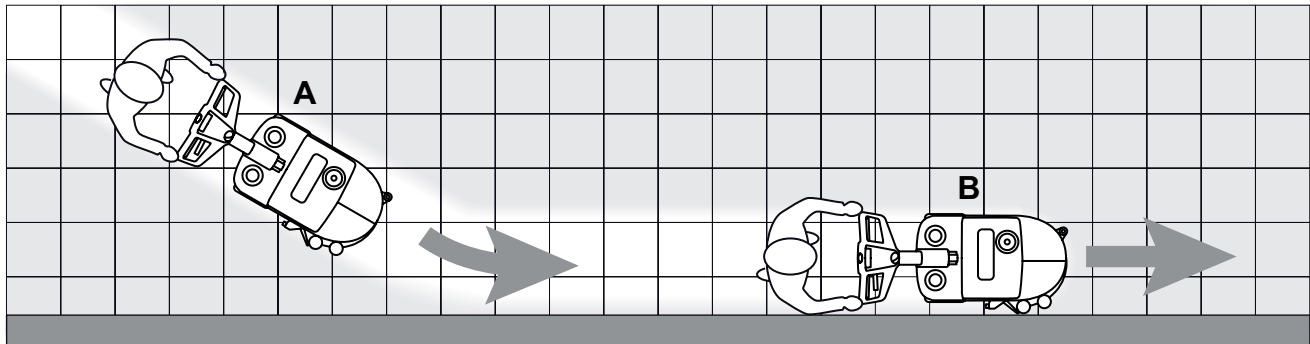


Figure 2

P1004108

Machine speed adjustment

5. The machine speed varies according to the type of floor to be cleaned and the choice of using the brush or the pad. If necessary, it is possible to adjust the machine speed, according to the procedure shown in Maintenance chapter.

Battery discharge during operation

6. Until the green warning light (37) stays on, the batteries allow the machine to work normally. When the green warning light turns off and the yellow and red warning lights turn on, it is necessary to charge the battery as the machine residual autonomy is at the minimum level.

**CAUTION!**

Do not use the machine with discharged battery, to avoid damaging the battery and reducing the battery life.

MACHINE TRANSPORT/PARKING

To transport/park the machine, proceed as follows.

1. Check that the function selection knob (31) is turned to "0".
2. Grab the handlebar (2) and slightly lift the machine brush deck. While holding the machine in this position, drive it to the transport/parking area.
3. When finishing working, it is advisable to remove the brush/pad in order not to drag it on the floor and leave wet marks.

TANK EMPTYING

An automatic float shut-off system (25) turns off the vacuum system when the recovery tank (23) is full.

The vacuum system shutdown is signalled by an increase in the vacuum system motor noise, moreover the floor is not dried.



CAUTION!

If the vacuum system turns off accidentally (for example, when the float is activated because of a sudden machine movement), to resume the operation: turn off the machine with the function selection knob (31) turned to "0", check that the float inside the grid (25) has gone down to the water level. Then turn on the vacuum system by pressing the function selection knob (31).

When the recovery tank (23) is full, empty it as shown.

Recovery tank emptying

1. Check that the function selection knob (31) is turned to "0".
2. Drive the machine to the appointed disposal area.
3. Remove the transparent cover (24).
4. Grab the handle (A, Fig. 3) and lift the recovery tank (B).
5. Drain the recovery tank. Then, rinse the tank with clean water.
6. Place the tank back again on its housing in the frame and install the transparent cover.

Solution tank emptying

7. Perform steps 1 to 3.
8. Grab the handle (C, Fig. 3) and lift the solution tank (D).
9. Open the plug (E) and drain the solution tank. Then, rinse the tank with clean water.
10. Place the tank back again on its housing in the frame and install the transparent cover.

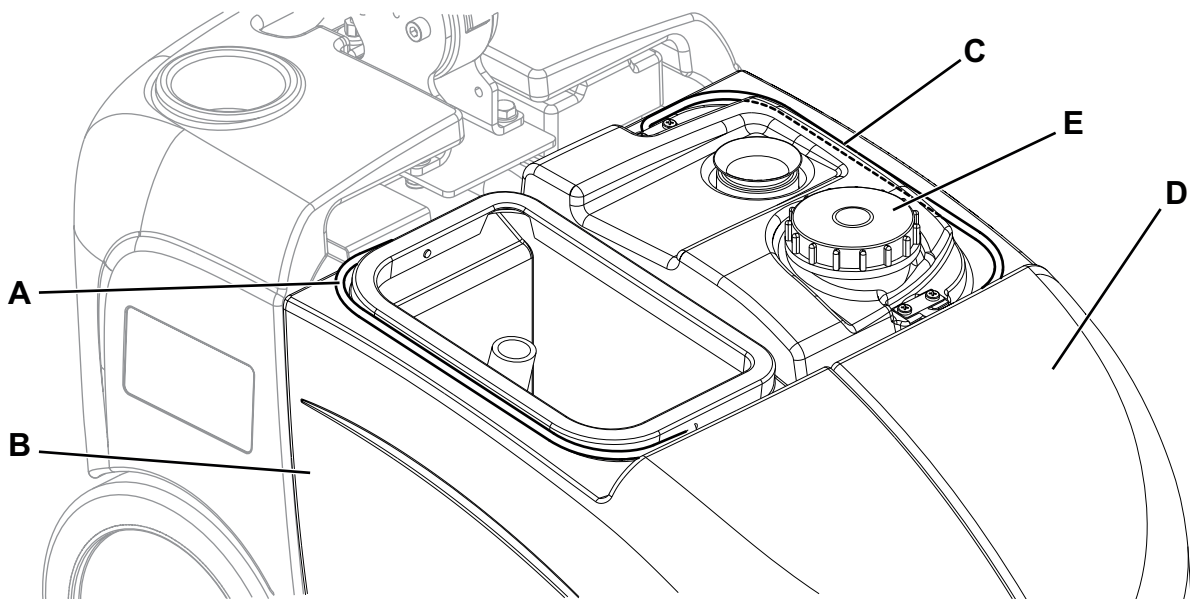


Figure 3

P100409

AFTER USING THE MACHINE

After working, before leaving the machine:

1. Empty the tanks (23 and 22) as shown in the previous paragraph.
2. Perform the daily maintenance procedures (see the Maintenance chapter).
3. Store the machine in a clean and dry place, with the brush/pad-holder and the squeegee blades lifted or removed.

MACHINE LONG INACTIVITY

If the machine is not going to be used for more than 30 days, proceed as follows:

1. Perform the procedures described in the previous paragraph.
2. Open the cover (4) and disconnect the battery connector (7).
3. Store the machine in a clean and dry place.
4. To safeguard the brush or squeegee blades, bend the handlebar (2) forward and park the machine as shown in figure 4.

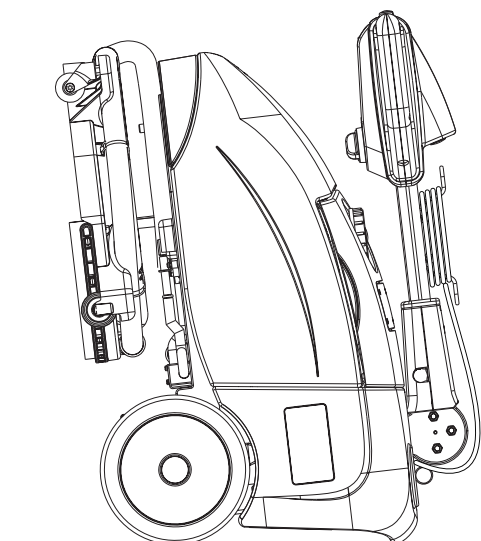


Figure 4

P100410

MAINTENANCE

The lifespan of the machine and its maximum operating safety are ensured by correct and regular maintenance. The following chart provides the scheduled maintenance. The intervals shown may vary according to particular working conditions, which are to be defined by the person in charge of the maintenance.



WARNING!

Maintenance procedures must be performed with the machine switched off and the battery/battery charger cable disconnected.

Moreover, carefully read the instructions in the Safety chapter.

All scheduled or extraordinary maintenance procedures must be performed by qualified personnel, or by an authorised Service Center. This Manual describes only the easier and most common maintenance procedures.



NOTE

For other maintenance procedures shown in the Scheduled Maintenance Table, refer to the Service Manual that can be consulted at any Service Center.

SCHEDULED MAINTENANCE TABLE

Procedure	Daily, after using the machine	Weekly	Every six months	Yearly
Battery charging				
Squeegee Cleaning				
Brush Cleaning				
Tank and Vacuum Grid Cleaning				
Squeegee blade check and/or replacement				
Solution valve check and cleaning			(1)	
Brush deck rotation clutch check and/or replacement				(1)

(1) For the relevant procedure, refer to the Service Manual.

BATTERY INSTALLATION/REPLACEMENT



WARNING!

The electric components of the machine can be seriously damaged if the battery is either improperly installed or connected. The battery must be installed by qualified personnel only. Check the battery for damage before installation.

Disconnect the battery connector and the battery charger plug.

Handle the battery with great care.

Install the battery terminal protection caps supplied with the machine.



DANGER!

This machine requires sealed lead batteries (GEL or AGM technology).

Do not use batteries with liquid electrolyte or not sealed (WET) for any reason.

1. Open the cover (4) and disconnect the battery connector (7).
2. Disconnect the 2 terminals from the battery pins.
3. Disengage the belt and remove the battery.
4. Install the new battery on the machine and fasten it with the relevant belt.
5. Connect the 2 terminals to the battery pins.



WARNING!

Pay special attention when connecting the battery pins. The red cable must be connected to the positive pin (+), the black cable must be connected to the negative pin (-) of the battery.

A wrong connection can damage the battery charger.

6. Fasten the 2 terminals to the battery pins.
7. Connect the battery connector (7) and close the cover (3).
8. Before using the machine, charge the battery.



WARNING!

The installed battery (GEL/AGM) may require a specific charging algorithm: Contact Advance Service Center to set the charging algorithm suitable to the battery.

BATTERY CHARGING



NOTE

Charge the batteries when the yellow or red warning light turns on, or at the end of each working cycle.

Keeping the battery charged make its life last longer.



CAUTION!

When the battery is discharged, charge is as soon as possible, as that condition makes its life shorter.

Check for battery charge at least once a week.

1. Drive the machine on a level floor.
2. Check that the function selection knob (31) is turned to "0".
3. Connect the battery charger cable (10) to the electrical mains (the electrical mains voltage and frequency must be compatible with the battery charger values shown on the machine serial number plate (1)).



NOTE

When the battery charger is connected to the electrical mains, all machine functions are automatically cut off.

The red or yellow warning light (37) is on when the battery charger is charging the batteries.

4. When the green warning light (37) stays on, the battery charging cycle is over.
5. When the battery charging is completed, disconnect the battery charger cable (10) from the electrical mains and wind it round its housing (11).
6. Now the machine is ready to be used.



NOTE

For further information about the operation of the battery charger (9), see the relevant Manual.

MACHINE SPEED ADJUSTMENT



NOTE

The machine speed varies according to the type of floor to be cleaned and the choice of using the brush or the pad. If necessary, perform the adjustments as shown.

1. Remove the recovery and the detergent tanks.
2. Adjust the machine speed with the handwheel (A, Fig. 5):
 - Turn the handwheel counter-clockwise to increase the machine speed.
 - Turn the handwheel clockwise to decrease the machine speed.
3. If it is difficult to keep the machine moving straight-forwardly because it deviates to the left or to the right, adjust the handwheel (B) by turning it clockwise or counter-clockwise.
4. After adjusting, install the tanks as shown in Use chapter.
5. With the machine ready to operate, perform hands-on tests of the machine and, if other adjustments are necessary, repeat steps 1 to 4.

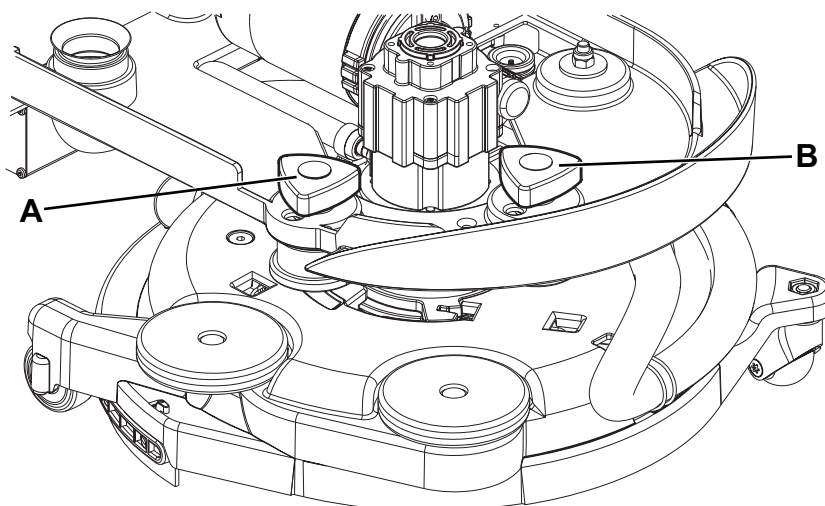


Figure 5

P100413

SQUEEGEE CLEANING



NOTE

The squeegee must be clean and its blades must be in good conditions in order to get a good drying.



WARNING!

It is advisable to wear protective gloves when cleaning the squeegee because there may be sharp debris.

1. Drive the machine on a level floor.
2. Check that the function selection knob (31) is turned to "0" and disconnect the battery connector (7).
3. Fully turn the brush/pad-holder deck (12) counter-clockwise.
4. Disconnect the vacuum hose (A, Fig. 6) from the squeegee.
5. Disengage the squeegee (B) from the deck.
6. Wash and clean the squeegee. In particular, clean the compartments (C) and the vacuum hole (D).
7. Check the front blade (E) and the rear blade (F) for integrity, cuts and tears; if necessary replace them (see the procedure in the following paragraph).
8. Assemble the components in the reverse order of disassembly.

SQUEEGEE BLADE CHECK AND REPLACEMENT

1. Clean the squeegee as shown in the previous paragraph.
2. Check the front blade (E, Fig. 6) and the rear blade (F) for integrity, cuts and tears; if necessary replace them. Check that the front corner (G) of the rear blade is not worn; otherwise, overturn the blade to replace the worn corner with an integral one. If the other corners are worn too, replace the blade as shown:
 - Remove the fastening strap (H) by disengaging it from the fasteners (I).
 - Replace (or overturn) the rear blade (F), then reinstall the fastening strap.
 - Remove the fastening strap (J) by disengaging it from the fasteners (K).
 - Replace (or overturn) the front blade (E), then reinstall the fastening strap.
3. Install the squeegee (B) by carefully inserting the hooks (L) and the vacuum hole (M) in the brush deck housings.
4. Connect the vacuum hose (A) to the squeegee.

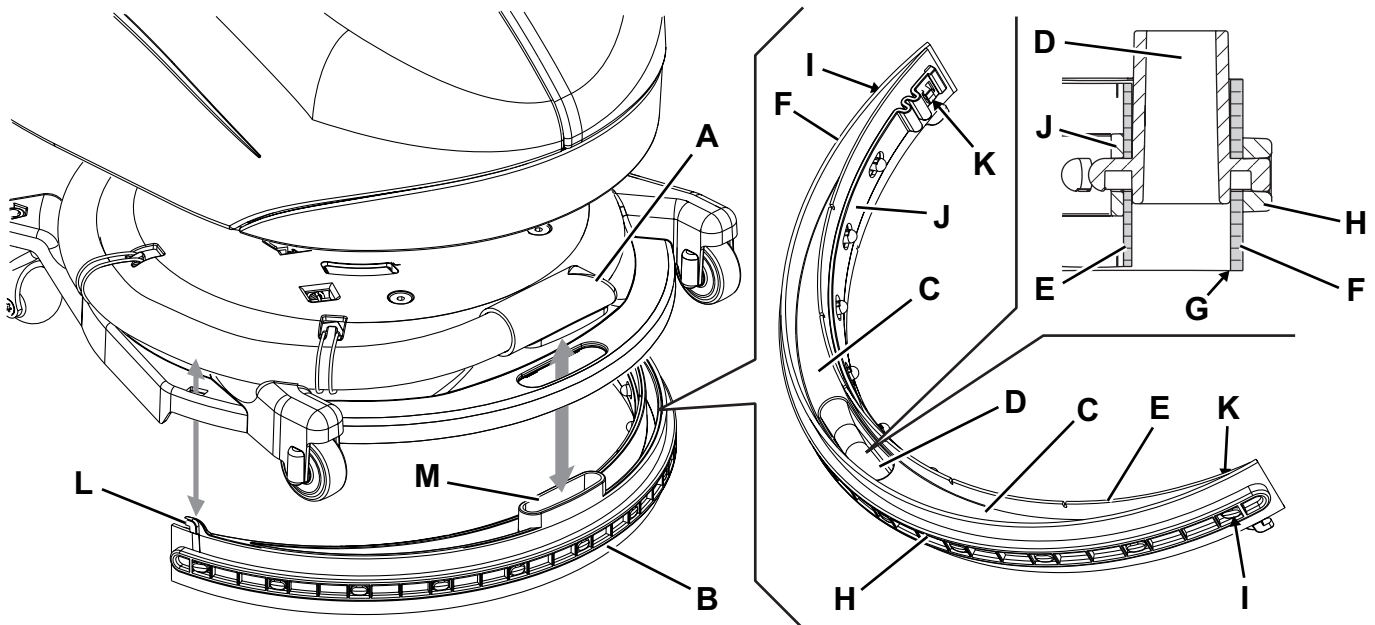


Figure 6

P100411

BRUSH CLEANING**NOTE**

It is advisable to wear protective gloves when cleaning the brush because there may be sharp debris.

1. Remove the brush, as shown in Use chapter.
2. Clean the brush with water and detergent.
3. Check the brush bristles for integrity and wear; if necessary, replace the brush.

TANK, COVER AND VACUUM GRID CLEANING

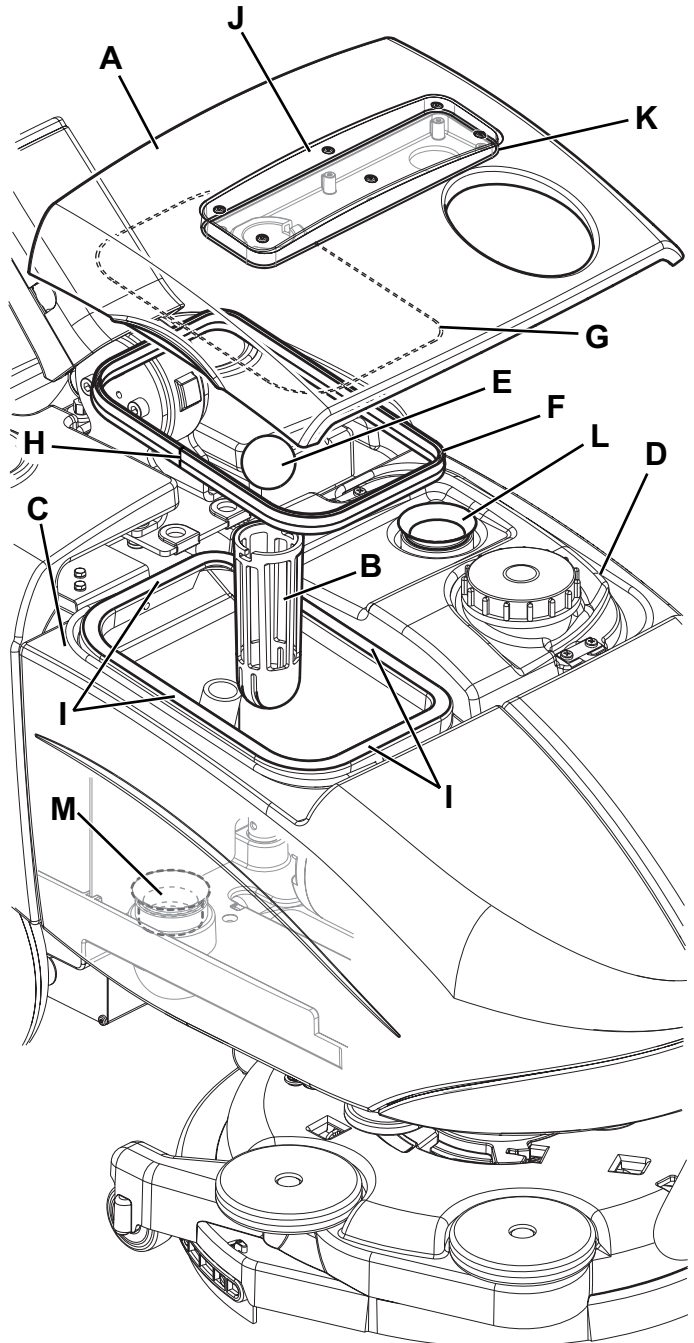
1. Drive the machine to the appointed disposal area.
2. Check that the function selection knob (31) is turned to "0" and disconnect the battery connector (7).
3. Remove the cover (A, Fig. 7), clean and wash the cover and the vacuum grid (B) with clean water.
4. Drain the water from the tanks (C and D) and clean them.
5. If necessary, disassemble the grid (B) and remove the float (E), than clean with care and reinstall.
6. Check the recovery tank cover gasket (F) for integrity.

**NOTE**

The gasket (F) creates vacuum in the tank that is necessary for vacuuming the recovery water.

If necessary replace the gasket (F) by removing it from its housing (G) on the cover. When assembling the new gasket, install the joint (H) in the area shown in the figure.

7. Check that the seating surface (I) of the gasket (F) is clean and adequate for the gasket itself.
8. Check the vacuum duct (J) and the gasket (K), carefully clean if necessary.
9. Reinstall the recovery tank cover (A).

**Figure 7**

P100412

VACUUM SYSTEM GASKET CLEANING**NOTE**

The gaskets (L) and (M) create vacuum in the system that is necessary for vacuuming the recovery water.

1. Drive the machine on a level floor.
2. Check that the function selection knob (31) is turned to "0" and disconnect the battery connector (7).
3. Open the cover (A, Fig. 7) and check the vacuum system motor gasket (L) for integrity. If necessary replace the gasket by removing it from its housing.
4. Remove the recovery tank (C).
5. Check the recovery water duct gasket (M) for integrity. If necessary, replace the gasket.
6. Clean with care and reinstall.

FUSE CHECK/REPLACEMENT/RESET

1. Drive the machine on a level floor.
2. Check that the function selection knob (31) is turned to "0" and disconnect the battery connector (7).
3. Open the cover (4) and check one of the following fuses for deactivation or integrity (Fig. 8):
 - (A): F1 (35 A) circuit breaker, brush motor.
 - (B): F2 (30 A) blade fuse, vacuum system motor.
 - (C): F3 (5 A) blade fuse, accessories.
 Reset or replace any fuse, after having checked and repaired any problem that caused deactivation.
4. Close the cover (4).

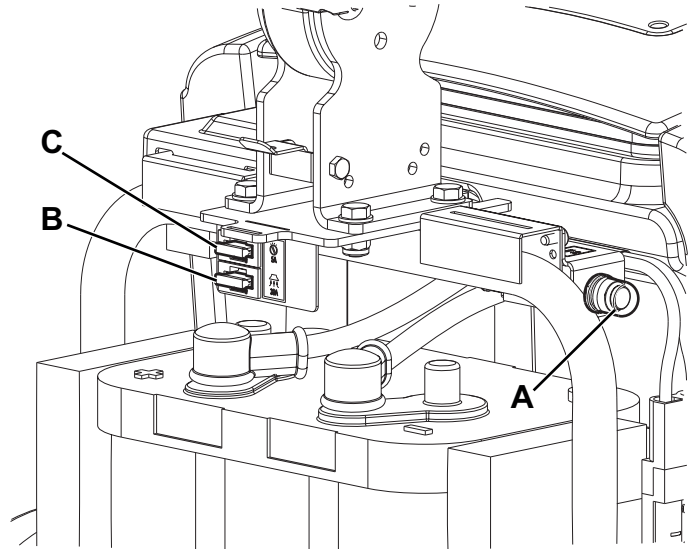


Figure 8

P100414

TROUBLESHOOTING

Trouble	Possible Cause	Remedy
The motors do not turn on; no LED turns on.	The battery connector is disconnected.	Connect.
	The battery is completely discharged.	Charge it.
	The fuse F3 is open.	Replace.
The brush motor does not run.	The F1 fuse has triggered.	Reset the fuse.
The vacuum system motor does not turn on.	The fuse F2 is open.	Replace.
The dirty water vacuuming is insufficient.	The recovery tank is full.	Empty.
	The vacuum grid is clogged or the float is stuck closed.	Clean the grid and check the float.
	The vacuum hose is disconnected from the squeegee or faulty.	Connect or replace. (*)
	The squeegee is dirty or the squeegee blades are worn or damaged.	Clean the squeegee or replace the blades.
	The recovery tank cover is not properly closed, or the gaskets are damaged.	Check and/or clean the seating surface or replace the gaskets.
	The vacuum system motor filter is dirty.	Clean.
The solution flow is insufficient.	The detergent duct is dirty/clogged.	Clean.
	The solenoid valve is faulty.	Replace. (*)
The squeegee leaves marks on the floor.	There is debris under the squeegee blades.	Remove the debris.
	The squeegee blades are worn, chipped or torn.	Replace the blades.

(*) This maintenance procedure must be performed by an authorised Advance Service Center.



NOTE

*The machine is inoperative without the battery charger.
In case of battery charger malfunction, contact an authorised Service Center.*

For further information, refer to the Service Manual, available at any Advance Service Center.

SCRAPPING

Have the machine scrapped by a qualified scrapper.

Before scrapping the machine, remove and separate the following materials, which must be disposed of properly according to the Law in force:

- Battery
- Brushes
- Plastic hoses and components
- Electrical and electronic components (*)

(*) Refer to the nearest Advance Center especially when scrapping electrical and electronic components.

TABLE DES MATIÈRES

INTRODUCTION	2
BUT ET CONTENU DU MANUEL	2
DESTINATAIRES.....	2
CONSERVATION DU MANUEL.....	2
DONNÉES D'IDENTIFICATION	2
AUTRES MANUELS DE RÉFÉRENCE.....	2
PIÈCES DE RECHANGE ET ENTRETIEN	2
MODIFICATIONS ET AMÉLIORATIONS.....	2
CAPACITÉS OPÉRATIONNELLES	3
CONVENTIONS	3
DÉBALLAGE / LIVRAISON	3
SÉCURITÉ	3
SYMBOLES VISIBLES SUR LA MACHINE.....	3
SYMBOLES UTILISÉS DANS LE MANUEL.....	4
INSTRUCTIONS GÉNÉRALES.....	4
DESCRIPTION DE LA MACHINE	6
STRUCTURE DE LA MACHINE.....	6
GUIDON AVEC TABLEAU DE BORD.....	7
ACCESSOIRES / OPTIONS.....	7
CARACTÉRISTIQUES TECHNIQUES.....	8
SCHÉMA ÉLECTRIQUE.....	9
UTILISATION	10
CONTROLE / PRÉPARATION DE LA BATTERIE SUR UNE MACHINE NEUVE.....	10
AVANT LA MISE EN MARCHÉ DE LA MACHINE	10
MISE EN MARCHÉ ET ARRÊT DE LA MACHINE	11
MACHINE AU TRAVAIL (LAVAGE / SÉCHAGE)	12
TRANSPORT / STATIONNEMENT DE LA MACHINE.....	13
VIDANGE DES RÉSERVOIRS.....	13
APRÈS L'UTILISATION DE LA MACHINE	14
INACTIVITÉ PROLONGÉE DE LA MACHINE	14
ENTRETIEN	14
PLAN D'ENTRETIEN PROGRAMMÉ.....	14
INSTALLATION / REMPLACEMENT DE LA BATTERIE	15
CHARGEMENT DE LA BATTERIE.....	15
RÉGLAGE DE L'AVANCE DE LA MACHINE.....	16
NETTOYAGE DE L'EMBOUCHURE	17
CONTRÔLE ET REMPLACEMENT DES LAMELLES EN CAOUTCHOUC DE L'EMBOUCHURE.....	17
NETTOYAGE DE LA BROUSSE.....	18
NETTOYAGE DES RÉSERVOIRS, DU COUVERCLE ET DE LA GRILLE D'ASPIRATION	18
NETTOYAGE DES JOINTS DU SYSTÈME D'ASPIRATION	18
CONTROLE / REMPLACEMENT / RETABLISSEMENT DES FUSIBLES.....	19
DÉPISTAGE DES PANNES	19
MISE À LA FERRAILLE	20

INTRODUCTION

**REMARQUE**

Les nombres entre parenthèses se réfèrent aux composants indiqués au chapitre Description de la machine.

BUT ET CONTENU DU MANUEL

Ce manuel se propose de fournir à l'opérateur toutes les informations nécessaires afin qu'il puisse utiliser la machine correctement et la gérer de la manière la plus autonome et sûre. Il comprend des informations concernant l'aspect technique, la sécurité, le fonctionnement, l'arrêt de la machine, l'entretien, les pièces de rechange et la mise à la ferraille.

Avant d'effectuer toute opération sur la machine, les opérateurs et les techniciens qualifiés doivent lire attentivement les instructions contenues dans ce manuel. En cas de doutes sur la correcte interprétation des instructions, contacter Advance pour avoir plus de renseignements.

DESTINATAIRES

Ce manuel s'adresse à l'opérateur aussi bien qu'aux techniciens préposés à l'entretien de la machine.

L'opérateur ne doit pas exécuter les opérations réservées aux techniciens qualifiés. Advance ne répond pas des dommages dus à l'inobservance de cette interdiction.

CONSERVATION DU MANUEL

Le Manuel des Instructions d'utilisation doit être gardé près de la machine, dans une enveloppe spéciale et, surtout, loin de liquides et de tout ce qui pourrait en compromettre l'état de lisibilité.

DONNÉES D'IDENTIFICATION

Le numéro de série et le modèle de la machine sont indiqués sur la plaque (1).

La plaque indique également l'année de fabrication et le code du produit.

Ces informations sont nécessaires lors de la commande des pièces de rechange de la machine. Utiliser l'espace suivant pour noter les données d'identification de la machine.

Modèle de la MACHINE
Code du PRODUIT
Numéro de série de la MACHINE

AUTRES MANUELS DE RÉFÉRENCE

- Manuel du chargeur de batterie électronique (qui constitue une partie intégrante de ce manuel)
- Catalogue de pièces de rechange (livré avec la machine)
- Manuel d'entretien (consultable seulement par les techniciens préposés auprès des Services après-vente Advance)

PIÈCES DE RECHANGE ET ENTRETIEN

Pour toute nécessité concernant l'emploi, l'entretien et la réparation, s'adresser au personnel qualifié ou directement aux Services après-vente Advance. N'utiliser que des pièces de rechange et accessoires d'origine.

Pour l'assistance ou la commande de pièces de rechange et d'accessoires, contacter Advance en spécifiant toujours le modèle, le code du produit et le numéro de série.

MODIFICATIONS ET AMÉLIORATIONS

Advance vise à un constant perfectionnement de ses produits et se réserve le droit d'effectuer des modifications et des améliorations lorsqu'elle le considère nécessaire sans l'obligation de modifier les machines précédemment vendues.

Il est entendu que toute modification et / ou addition d'accessoires doit toujours être approuvée et réalisée par Advance.

CAPACITÉS OPÉRATIONNELLES

Cette autolaveuse est conçue et fabriquée pour le nettoyage (lavage et séchage) de sols lisses et solides, en milieux civils et industriels, en conditions de complète sécurité, par un opérateur qualifié.

L'autolaveuse n'est pas adaptée au lavage de tapis ou moquettes.

CONVENTIONS

Toutes les références à en avant, en arrière, avant, arrière, droite ou gauche indiquées dans ce manuel doivent être considérées comme référées à l'opérateur en position de conduite, les mains sur le guidon (2).

DÉBALLAGE / LIVRAISON

Pour déballer la machine, suivre attentivement les instructions sur l'emballage.

Lors de la livraison de la machine, contrôler attentivement que l'emballage et la machine n'ont pas été endommagés pendant le transport. Si les dommages sont évidents, garder l'emballage de façon qu'il puisse être examiné par le transporteur qui l'a livré.

Contactez immédiatement le transporteur pour remplir une demande de dommages-intérêts.

Contrôler que les composants suivants sont livrés avec la machine :

- Documentation technique :
 - Manuel des Instructions d'utilisation de l'autolaveuse
 - Manuel du chargeur de batterie électronique
 - Catalogue de pièces de rechange de l'autolaveuse
 - N° 2 fusibles lamellaires



AVERTISSEMENT !

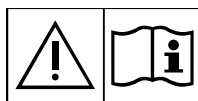
Les Produits vendus avec le présent manuel contiennent ou peuvent contenir des produits chimiques reconnus par certains gouvernements (comme l'État de Californie, par le biais de la proposition de loi d'avertissement réglementaire 65) comme provoquant des cancers, des anomalies congénitales et autres dangers pour la reproduction. Dans certains endroits (comme l'État de Californie), les acheteurs de ces Produits, qui les utilisent sur un lieu de travail ou dans un espace public, ont l'obligation d'apposer certains avis, avertissements ou informations concernant les produits chimiques qui sont ou peuvent être contenus dans les Produits dans ces lieux ou aux alentours de ces lieux de travail. Il incombe à l'acheteur de connaître les dispositions de, et de respecter, toutes les lois et réglementations ayant trait à l'utilisation de ces Produits au sein de tels environnements. Le Fabricant décline toute responsabilité d'informer les acheteurs concernant des exigences spécifiques qui peuvent s'appliquer à l'utilisation des Produits dans de tels environnements.

SÉCURITÉ

On utilise les symboles suivants pour signaler les conditions de danger potentielles. Lire attentivement ces informations et prendre les précautions nécessaires pour protéger les personnes et les choses.

Pour éviter tout accident, la collaboration de l'opérateur est essentielle. Aucun programme de prévention des accidents du travail ne peut résulter efficace sans la totale collaboration de la personne directement responsable du fonctionnement de la machine. La plupart des accidents qui peuvent survenir dans une entreprise, pendant le travail ou les déplacements, sont dus à l'inobservance des plus simples règles de prudence. Un opérateur attentif et prudent est la meilleure garantie contre les accidents du travail et se révèle indispensable pour compléter n'importe quel programme de prévention.

SYMBOLES VISIBLES SUR LA MACHINE



ATTENTION !

Lire attentivement toutes les instructions avant toute opération dans la machine.



ATTENTION !

Ne pas laver la machine avec des jets d'eau directs ou sous pression.



ATTENTION !

Ne pas utiliser la machine sur des surfaces ayant une pente supérieure aux valeurs indiquées.

SYMBOLES UTILISÉS DANS LE MANUEL



DANGER !

Indique une situation dangereuse exposant l'opérateur au risque de blessures graves, voire mortelles.



ATTENTION !

Indique un risque potentiel d'accident pour les personnes ou de dommage matériel.



AVERTISSEMENT !

Indique un avertissement ou une remarque sur des fonctions clé ou utiles. Prêter la plus grande attention aux segments de texte marqués par ce symbole.



REMARQUE

Indique une remarque sur des fonctions clé ou utiles.



CONSULTATION

Indique la nécessité de consulter le Manuel des Instructions d'utilisation avant toute opération.

INSTRUCTIONS GÉNÉRALES

Les avertissements et précautions spécifiques suivants informent sur les potentiels dangers de dommages matériels ou blessures.



DANGER !

- Avant d'effectuer toute opération de nettoyage, d'entretien et de remplacement des composants de la machine, positionner la manette du sélecteur de fonctions sur «0» et débrancher le connecteur de la batterie.
- Cette machine doit être utilisée uniquement par le personnel adéquatement formé.
- Ne pas porter de bijoux quand on travaille près de composants électriques.
- Ne pas travailler sous la machine soulevée, sans des supports fixes de sécurité convenables.
- Ne pas opérer avec cette machine en présence de poudres, liquides ou vapeurs nuisibles, dangereux, inflammables et / ou explosifs : la machine ne doit pas être utilisée pour ramasser des matériaux dangereux.
- Tenir les étincelles, les flammes et les matériaux incandescents éloignés de la batterie. Les batteries produisent des gaz potentiellement explosifs pendant l'utilisation ordinaire.
- Le chargement de la batterie produit un gaz hydrogène très explosif. Garder le couvercle en position ouverte pendant le cycle de chargement de la batterie et effectuer l'opération exclusivement en milieux bien aérés et loin de flammes libres.



ATTENTION !

- Avant d'effectuer toute opération d'entretien / réparation, lire attentivement toutes les instructions qui concernent l'entretien / réparation.
- Avant d'utiliser le chargeur de batterie, s'assurer que la fréquence et la tension indiquées sur la plaque avec numéro de série coïncident avec la tension du réseau.
- Ne pas utiliser le câble du chargeur de batterie pour tirer ou transporter la machine et ne pas utiliser le câble comme poignée. Ne pas fermer de porte sur le câble du chargeur de batterie, ne pas tirer le câble sur des surfaces ou coins tranchants. Ne pas faire passer la machine sur le câble du chargeur de batterie.
- Tenir le câble du chargeur de batterie éloigné des surfaces chaudes.
- Ne pas utiliser la machine si le câble du chargeur de batterie ou la fiche sont endommagés. Si la machine ne fonctionne pas correctement, si elle est endommagée, laissée à l'extérieur ou tombée dans l'eau, l'amener auprès d'un Service après-vente agréé.
- Pour réduire le risque d'incendie, chocs électriques ou blessures, ne pas laisser la machine sans surveillance lorsqu'elle est branchée au réseau électrique. Débrancher le câble du chargeur de batterie du réseau électrique avant d'effectuer toute opération d'entretien.
- Ne pas fumer pendant le chargement de la batterie.
- Protéger toujours la machine du soleil, de la pluie et d'autres intempéries, pendant le fonctionnement et en état d'arrêt. Garder la machine dans un endroit couvert et sec : elle a été conçue pour l'utilisation à sec, par conséquent elle ne doit pas être utilisée ou gardée dehors, dans des conditions d'humidité.
- Avant d'utiliser la machine, fermer tous les volets et/ou carters comme indiqué sur le Manuel des Instructions d'utilisation.

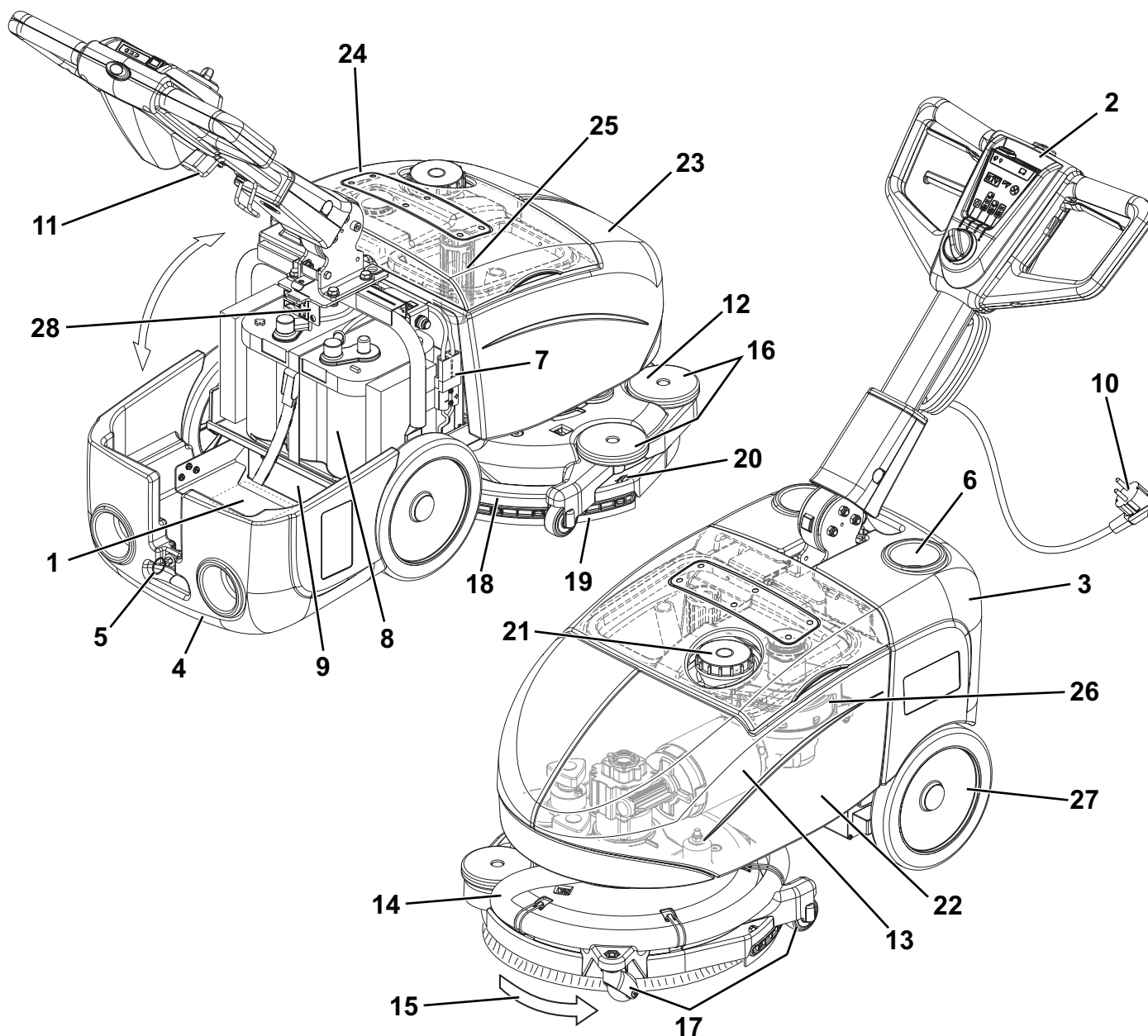
**ATTENTION !**

- *La machine ne doit être utilisée par des personnes (y compris les enfants) aux capacités physiques, mentales et sensorielles limitées ou dépourvues de l'expérience ou de la formation que sous la supervision ou avec les directives d'une personne responsable de leur sécurité.*
Les enfants doivent être surveillés afin de s'assurer qu'ils ne jouent pas avec la machine.
- *Faire attention lorsque la machine est utilisée à proximité des enfants.*
- *Ne pas utiliser à des fins autres que celles prévues dans ce manuel. Utiliser seulement les accessoires recommandés par Advance.*
- *Inspecter la machine avec soin avant de l'utiliser et vérifier toujours que tous les composants ont été installés avant de mettre la machine en service. L'utilisation de la machine qui n'est pas installée parfaitement peut provoquer des lésions aux personnes et endommager les équipements.*
- *Prendre les précautions convenables afin que les cheveux, les bijoux, les parties non adhérentes des vêtements ne soient pas capturés par les parties en mouvement de la machine.*
- *Prêter attention aux parties en mouvement de la machine. Pendant l'utilisation, la tête peut tout à coup tourner de 180°.*
- *Ne pas utiliser la machine sur des surfaces en pente.*
- *Afin de ne pas compromettre la stabilité, ne pas incliner la machine d'un angle supérieur à la valeur indiquée sur la machine même.*
- *Ne pas utiliser la machine dans des endroits très poussiéreux.*
- *Utiliser la machine seulement dans des endroits bien illuminés.*
- *Pendant l'utilisation de la machine, faire attention à sauvegarder l'intégrité des personnes et des choses.*
- *Ne pas heurter contre des étagères ou des échafaudages, en particulier en cas de danger de chute d'objets.*
- *Ne pas poser de conteneurs de liquides sur la machine, utiliser le porte-boissons spécial.*
- *La température de travail de la machine doit être comprise entre +32°F et 104°F (0°C et +40°C).*
- *La température de stockage de la machine doit être comprise entre +32°F et 104°F (0°C et +40°C).*
- *L'humidité doit être comprise entre 30% et 95%.*
- *Pendant l'utilisation de détergents pour le nettoyage des sols, suivre toujours les instructions et les avertissements indiqués sur les étiquettes des flacons.*
- *Avant la manipulation de détergents pour le nettoyage des sols, mettre les gants et les vêtements de protection adéquats.*
- *Ne pas utiliser la machine comme moyen de transport.*
- *Ne pas faire travailler la brosse lorsque la machine est à l'arrêt pour ne pas endommager le sol.*
- *En cas d'incendie, il est préférable d'utiliser un extincteur à poudre, plutôt qu'un extincteur à eau.*
- *Ne pas altérer pour aucune raison les protections prévues pour la machine, respecter scrupuleusement les instructions prévues pour l'entretien ordinaire.*
- *Ne pas laisser entrer d'objets dans les ouvertures. Ne pas utiliser la machine si les ouvertures sont obstruées. Garder les ouvertures de la machine libres de poussière, filasse, poils et tout autre corps étranger à même de réduire le flux d'air.*
- *Ne pas enlever ou altérer les plaques apposées sur la machine.*
- *La machine n'est pas approuvée pour l'utilisation sur la voie publique.*
- *Faire attention pendant les déplacements de la machine en conditions de températures inférieures au point de congélation. L'eau présente dans le réservoir de l'eau de récupération ou dans les tuyaux pourrait se congeler et endommager sérieusement la machine.*
- *Utiliser les brosses et les disques livrés avec la machine et ceux spécifiés dans le Manuel des Instructions d'utilisation. L'utilisation de brosses ou disques différents peut compromettre la sécurité.*
- *S'assurer que les éventuelles anomalies de fonctionnement de la machine ne dépendent pas du manque d'entretien. En cas contraire, demander l'intervention du personnel autorisé ou d'un Service après-vente autorisé.*
- *En cas de remplacement de pièces, demander les pièces de rechange D'ORIGINE à un Concessionnaire ou Revendeur autorisé.*
- *Afin de garantir la sécurité et le bon fonctionnement de la machine, faire effectuer l'entretien programmé prévu au chapitre spécifique de ce manuel par du personnel autorisé ou par un Service après-vente autorisé.*
- *Ne pas laver la machine avec des jets d'eau directs ou sous pression ou avec des substances corrosives.*
- *Lors de la mise à la ferraille, la machine ne doit pas être abandonnée par la présence de matériaux toxiques (batterie, etc.), sujets à des lois qui prévoient l'élimination auprès de centres spéciaux (voir le chapitre Mise à la ferraille).*

DESCRIPTION DE LA MACHINE

STRUCTURE DE LA MACHINE

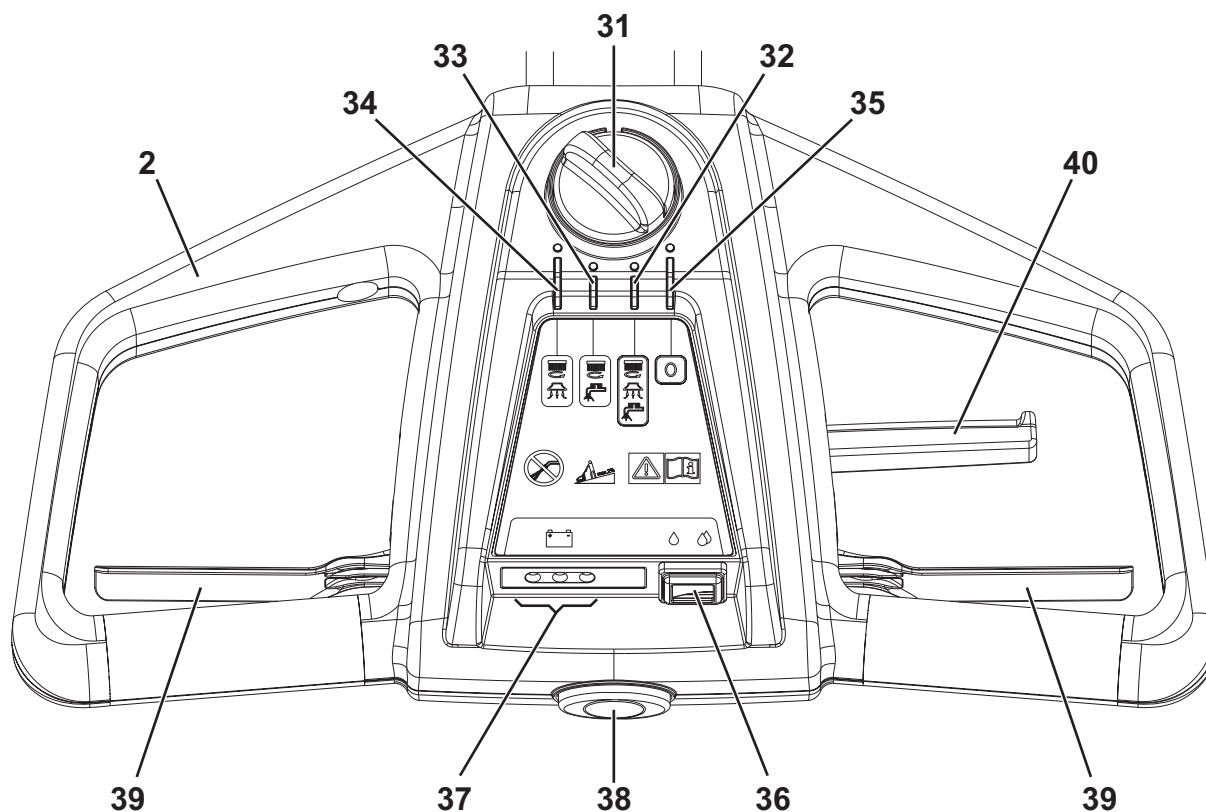
- | | |
|---|---|
| <ol style="list-style-type: none"> 1. Plaque avec numéro de série / données techniques / marquage de conformité 2. Guidon avec tableau de bord (voir le paragraphe suivant) 3. Couvercle (fermé) logement batteries et composants auxiliaires 4. Couvercle (ouvert) logement batteries et composants auxiliaires 5. Fermeture couvercle 6. Logement port-objets et porte-boissons 7. Connecteur de branchement batterie. Ce connecteur a aussi la fonction D'URGENCE, pour l'arrêt immédiat de toutes les fonctions 8. Batterie GEL / AGM 9. Chargeur de batterie 10. Câble d'alimentation chargeur de batterie 11. Support câble chargeur de batterie 12. Tête porte-brosse / plateau support disque 13. Motoréducteur tête brosse 14. Tuyau d'aspiration embouchure 15. Sens de rotation brosse 16. Rouleaux pare-chocs tête 17. Roues tête porte-brosses 18. Embouchure 19. Groupe lamelles en caoutchouc embouchure 20. Pincés d'accrochage embouchure à la tête 21. Bouchon de remplissage réservoir de solution 22. Réservoir solution 23. Réservoir eau de récupération 24. Couvercle transparente à grille d'aspiration 25. Grille d'aspiration avec système de fermeture automatique à flotteur 26. Moteur système d'aspiration 27. Roues arrière sur essieu fixe 28. Fusibles | <ol style="list-style-type: none"> 14. Tuyau d'aspiration embouchure 15. Sens de rotation brosse 16. Rouleaux pare-chocs tête 17. Roues tête porte-brosses 18. Embouchure 19. Groupe lamelles en caoutchouc embouchure 20. Pincés d'accrochage embouchure à la tête 21. Bouchon de remplissage réservoir de solution 22. Réservoir solution 23. Réservoir eau de récupération 24. Couvercle transparente à grille d'aspiration 25. Grille d'aspiration avec système de fermeture automatique à flotteur 26. Moteur système d'aspiration 27. Roues arrière sur essieu fixe 28. Fusibles |
|---|---|



P100404

GUIDON AVEC TABLEAU DE BORD

- | | |
|--|--|
| <p>31. Manette sélecteur de fonctions</p> <p>32. Programme de lavage et séchage : actionnement de la brosse - mise en marche du système d'aspiration - ouverture de débit de solution</p> <p>33. Programme de lavage : actionnement de la brosse - ouverture du débit de solution</p> <p>34. Programme de séchage : rotation de la brosse - mise en marche du système d'aspiration</p> <p>35. Position «0» d'arrêt de la machine</p> | <p>36. Interrupteur du flux de solution</p> <ul style="list-style-type: none"> • Une goutte - flux «ECO» de solution • Deux gouttes - flux de solution maximum <p>37. DELS état de charge batterie</p> <ul style="list-style-type: none"> • DEL vert - batterie chargée • DEL jaune - batterie presque déchargée • DEL rouge - batterie déchargée <p>38. Bouton-poussoir de validation démarrage machine</p> <p>39. Levier de rotation brosse</p> <p>40. Levier de réglage inclinaison guidon</p> |
|--|--|



P100405

ACCESSOIRES / OPTIONS

Outre les composants présents dans le modèle standard, la machine peut être équipée des accessoires optionnels suivants, selon l'emploi spécifique de la machine :

- Broses de matériaux différents par rapport aux brosses standard
- Disques de matériaux différents par rapport aux disques standard

Pour de plus amples informations relatives aux accessoires optionnels susmentionnés, s'adresser au revendeur agréé.

CARACTÉRISTIQUES TECHNIQUES

Description	SC351
Capacité réservoir solution	2,9 US gal (11 litres)
Capacité réservoir eau de récupération	2,9 US gal (11 litres)
Longueur minimum / maximum machine à guidon	31,9 in / 50 in (810 mm / 1270 mm)
Largeur machine	18.5 in (470 mm)
Hauteur minimum / maximum machine avec guidon réglable	21.6 / 39.4 in (550 / 1 000 mm)
Largeur minimum pour demi-tour	33.5 in (850 mm)
Largeur de nettoyage	14.5 in (370 mm)
Diamètre roues sur essieu fixe	8.4 in (214 mm)
Pression roues au sol	72.5 psi (0.5 N/mm ²)
Diamètre brosse / disque	14.5 in (370 mm)
Pression brosse / disque au sol	40 lb (18 Kg)
Pression brosse / disque sur le sol avec réservoir plein	60 lb (27 Kg)
Flux de solution min / max	Une goutte «ECO» : 0.066 gpm (0.25 litres/min) Deux gouttes : 0,13 gpm (0.5 litres/min)
Pression acoustique à l'oreille de l'opérateur (ISO 11201, ISO 4871, EN 60335-2-72) (LpA)	65 dB(A) ± 3 dB(A)
Puissance acoustique émise par la machine (ISO 3744, ISO 4871, EN 60335-2-72) (LwA)	84 dB(A)
Niveau de vibrations au bras de l'opérateur (ISO 5349-1, EN 60335-2-72)	98.4 in/s ² (< 2.5 m/s ²)
Pente maximum d'usage	2%
Degré de protection IP	X4
Classe de protection (électrique)	III
Puissance moteur système d'aspiration	0,27 hp (200 W)
Aspiration	27.7 in/H ₂ O (710 mmH ₂ O)
Puissance moteur brosse / plateau support disque	0.35 hp (260 W)
Vitesse moteur brosse / plateau support disque	120 tr/mn
Puissance totale absorbée	42 A (0.5 kW)
Dimensions logement batterie	17.8 x 6.9 x 9.4 in (350 x 175 x 240 mm)
Tension batterie	12 V
Batterie standard	12V 84AhC5 AGM
Chargeur de batterie	100-240 V C.A.
Autonomie de travail (batterie standard)	2 h
Poids sans batterie et avec réservoirs vides	95 lb (43 kg)
Poids maximum en ordre de marche (PTC)	176 lb (80 kg)
Poids d'expédition	172 lb (78 kg)

Composition du matériel de la machine et recyclage

Type	% recyclable	% de poids de la SC351
Aluminium	100%	18%
Moteurs électriques - divers	29%	9%
Matériaux en fer	100%	20%
Câbles	80%	9%
Liquides	100%	0%
Plastique - non recyclable	0%	11%
Plastique - recyclable	100%	18%
Polyéthylène	92%	9%
Caoutchouc	20%	7%

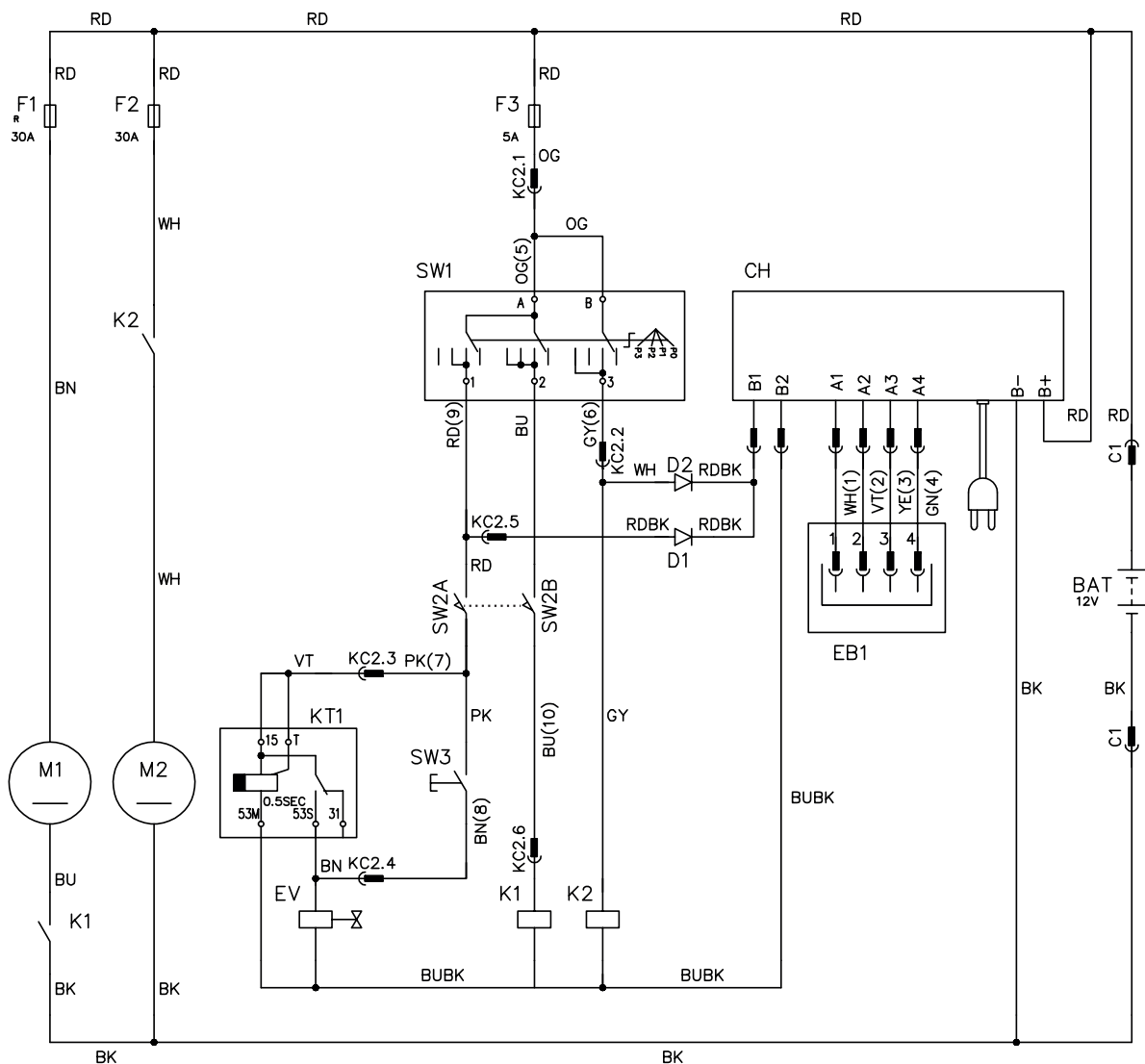
SCHÉMA ÉLECTRIQUE

Légende

BAT	Batterie 12 V
CH	Chargeur de batterie
D1	Diode
D2	Diode
EB1	Carte DEL
EV	Électrovanne solution
F1	Fusible restaurable moteur brosse (35 A)
F2	Fusible moteur aspirateur (30 A)
F3	Fusible sélecteur de fonctions (5 A)
K1	Relais moteur brosse
K2	Relais moteur aspirateur
KT1	Temporisateur d'électrovanne
M1	Moteur brosse
M2	Moteur système d'aspiration
SW1	Sélecteur de fonctions
SW2	Interrupteur de validation moteur brosse - électrovanne
SW3	Interrupteur débit solution

Codes des couleurs

BK	Noir
BU	Bleu
BN	Marron
GN	Vert
GY	Gris
OG	Orange
PK	Rose </td
RD	Rouge
VT	Violet
WH	Blanc
YE	Jaune



P100406

UTILISATION



ATTENTION !

Des plaques adhésives appliquées sur certains points de la machine indiquent :

- DANGER
- ATTENTION
- AVERTISSEMENT
- CONSULTATION

Lors de la lecture de ce manuel, l'opérateur doit bien comprendre le sens des symboles illustrés sur les plaques (voir le paragraphe Symboles visibles sur la machine).

Ne pas couvrir les plaques et les remplacer immédiatement en cas d'endommagement.

CONTROLE / PREPARATION DE LA BATTERIE SUR UNE MACHINE NEUVE

La machine est livrée avec une batterie GEL / AGM de 12 V installée dans la machine et prête à l'utilisation.

1. Ouvrir le couvercle (4) et contrôler que la batterie est branchée à la machine au moyen du connecteur (7).
2. Tourner la manette (31) du sélecteur de fonctions sur le programme (32). Si le DEL vert (37) des indicateurs s'allume, la batterie est prête à l'utilisation.
3. Si le DEL jaune ou rouge s'allume, il est nécessaire de charger la batterie (voir la procédure au chapitre Entretien).

AVANT LA MISE EN MARCHÉ DE LA MACHINE

Installation / dépose de la brosse / plateau support disque



REMARQUE

Selon le type de sol à nettoyer, il est possible d'installer la brosse (A, Fig. 1) ou le plateau support disque (B et C).

1. Soulever légèrement la tête porte-brosses de la machine et positionner la brosse sous la tête.
2. Tourner la manette (31) du sélecteur de fonctions sur le programme (32).
3. Appuyer sur le bouton-poussoir de validation (38) et sur les leviers de rotation brosse (39) en même temps pendant quelques secondes, pour permettre l'accrochage de la brosse / plateau support disque.

Déposer la brosse / plateau support disque de la tête, en procédant comme suit :

4. Contrôler que la manette (31) du sélecteur de fonctions soit en position «0».
5. Soulever légèrement la tête porte-brosses de la machine, puis décrocher manuellement la brosse / plateau support disque du moyeu en la tournant dans son sens de rotation (D).

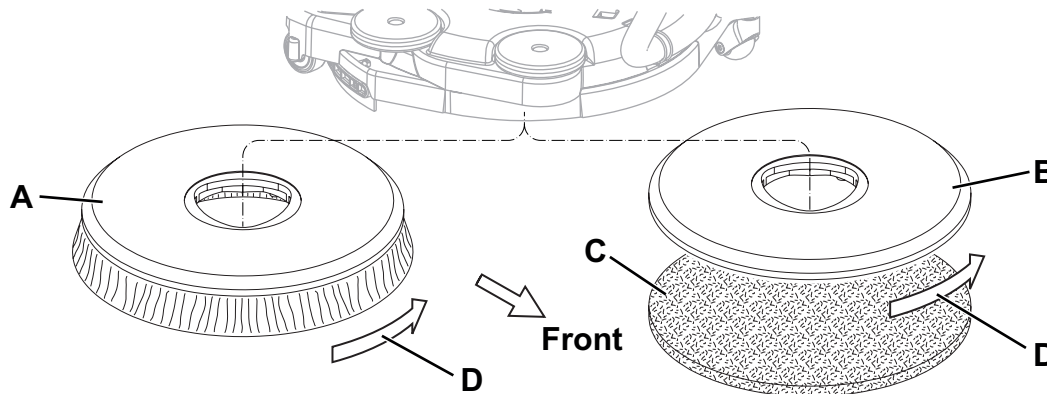


Figure 1

P100407

Suggestions pour le choix et l'application des brosses

	Modèles	MIDLITE GRIT 180	MIDGRIT 240	PROLITE	UNION MIX
Nettoyage général	Béton				
	Pavage terrasse				
	Carreaux de céramique / de carrière				
	Marbre				
	Carreaux de vinyle				
	Carreaux de caoutchouc				
Polissage	Carreaux de caoutchouc				
	Marbre				
	Carreaux de vinyle				

Remplissage du réservoir de solution

6. Ouvrir le bouchon (21) et remplir le réservoir (22) avec une solution adéquate au travail à effectuer. Ne jamais remplir complètement le réservoir de solution, mais laisser toujours quelques centimètres du bord. Suivre toujours les instructions de dilution sur l'étiquette du conteneur du produit chimique utilisé pour la solution. La température de la solution ne doit jamais être supérieure à 40 °C (104 °F).

**AVERTISSEMENT !**

Utiliser exclusivement des détergents liquides peu mousseux et non inflammables, adéquats pour les machines utilisées.

**ATTENTION !**

Pendant l'utilisation de détergents pour le nettoyage des sols, suivre toujours les instructions et les avertissements indiqués sur les étiquettes des flacons.




Avant la manipulation de détergents pour le nettoyage des sols, mettre les gants et les vêtements de protection adéquats.

Réglages

7. Appuyer sur le levier (40) et régler la position du guidon (2) selon son propre confort.

MISE EN MARCHÉ ET ARRÊT DE LA MACHINE**Mise en marche de la machine**

1. Préparer la machine comme indiqué au paragraphe précédent.
2. Tourner la manette (31) du sélecteur de fonctions pour démarrer la machine et sélectionner un des programmes du tableau suivant :

Position	Symbole	Programme
(32)		Lavage et séchage. Actionnement de la brosse - mise en marche du système d'aspiration - ouverture de débit de solution
(33)		Lavage. Actionnement de la brosse - ouverture du débit de solution
(34)		Séchage. Rotation de la brosse - mise en marche du système d'aspiration

3. Appuyer sur l'interrupteur du flux de solution (36) dans une des deux positions, selon le type de nettoyage à effectuer :
 - Interrupteur sur une goutte : pour le lavage de sols peu sales ; dans cette condition, la machine peut travailler avec une autonomie de 50 minutes (0,25 litres / min en moyenne).
 - Interrupteur sur deux gouttes : pour le lavage de sols assez / très sales ; dans cette condition, la machine peut travailler avec une autonomie de 25 minutes (0,5 litres / min en moyenne).
4. Tout en gardant les mains sur le guidon (2), démarrer la machine en appuyant en même temps sur le bouton-poussoir de validation (38) et sur les leviers de rotation brosse (39).

**REMARQUE**

Si le DEL vert (37) des indicateurs de l'état de charge s'allume, la machine est prête à l'utilisation. Si le DEL jaune ou rouge s'allume, il est nécessaire de charger la batterie (voir la procédure au chapitre Entretien).

Arrêt de la machine

5. Relâcher les leviers de rotation brosse (39) et le bouton-poussoir de validation (38).
6. Tourner la manette (31) du sélecteur de fonctions sur «0» pour arrêter la machine.

**AVERTISSEMENT !**

En cas de nécessité immédiate et pour arrêter toutes les fonctions de la machine débrancher le connecteur de la batterie (7).

Pour restaurer le fonctionnement de la machine, brancher à nouveau le connecteur.

MACHINE AU TRAVAIL (LAVAGE / SÉCHAGE)

1. Démarrer la machine comme prévu au paragraphe précédent.
2. Tout en gardant les mains sur le guidon (2), déplacer la machine et commencer le travail de lavage / séchage du sol.
3. Si besoin est, régler la quantité de solution qui arrive à la brosse au moyen de l'interrupteur (36).
4. Quand nécessaire, pour utiliser l'embouchure pour le séchage dans la direction opposée, faire lever avec le guidon (2) et soulever légèrement la tête pendant la rotation de la brosse. Dès que la rotation de 180° de la tête est terminée, procéder avec le lavage / séchage en remorquant la machine.
Pour retourner dans la direction d'avance, manoeuvrer la machine en la poussant en avant jusqu'à ce que la tête porte-brosses (12) retourne dans la position d'origine.

**ATTENTION !**

Prêter attention quand on soulève la tête pendant la rotation de la brosse : tout à coup, la tête tournera de 180° : prêter attention aux parties en mouvement, ne pas heurter contre et / ou endommager d'objets, de murs et de personnes.

**AVERTISSEMENT !**

Afin d'éviter d'endommager la surface du sol à nettoyer, ne pas utiliser la brosse à sec et, lorsque la machine est au repos, arrêter la rotation de la brosse / disque en relâchant les leviers (39).

**AVERTISSEMENT !**

Avant de soulever la brosse / disque, arrêter sa rotation en relâchant les leviers (39).

**REMARQUE**

Pour un lavage / séchage correct des sols près des murs, l'avance conseillée est de s'approcher au murs avec le côté droit de la machine, comme indiqué dans la figure 2.

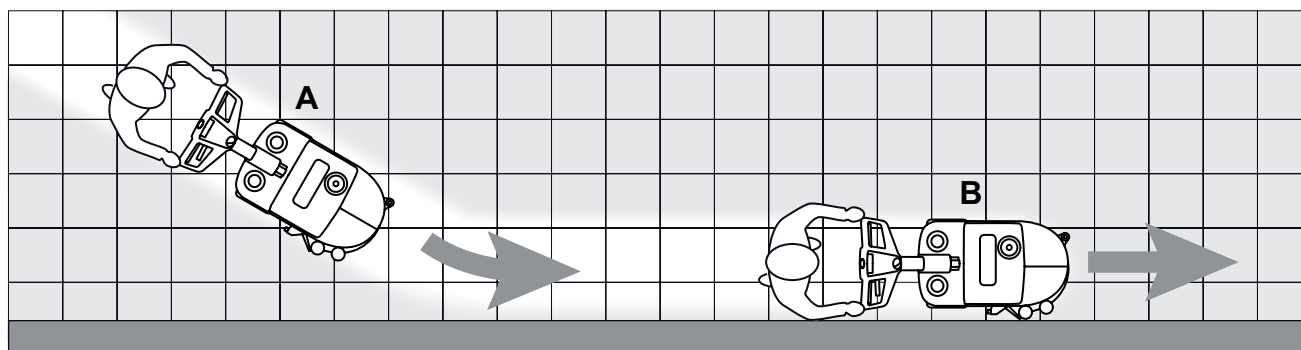


Figure 2

P1004108

Réglage de la vitesse d'avance de la machine

5. La vitesse d'avance de la machine varie selon le type de sol à nettoyer et le choix d'utiliser la brosse ou le disque. Si besoin est, il est possible de régler la vitesse d'avance en suivant la procédure au chapitre Entretien.

Déchargement de la batterie pendant le travail

6. Tant que le DEL vert (37) de charge de la batterie reste allumé, la batterie permet le fonctionnement normal de la machine. Lorsque le DEL vert s'éteint et le DEL jaune ou rouge s'allume, il est nécessaire de procéder au chargement de la batterie, car l'autonomie résiduelle de fonctionnement de la machine est minimum.

**AVERTISSEMENT !**

Ne pas insister à utiliser la machine avec la batterie déchargée, pour ne pas endommager la batterie en réduisant sa vie utile.

TRANSPORT / STATIONNEMENT DE LA MACHINE

Pour le transport / stationnement de la machine, procéder comme suit.

1. Contrôler que la manette (31) du sélecteur de fonctions soit en position «0».
2. Saisir le guidon (2) et soulever légèrement la tête porte-brosse de la machine. Tout en gardant la machine dans cette condition, la pousser dans le lieu.
3. Le travail effectué, enlever la brosse / disque afin de ne pas l'entraîner sur le sol et de ne pas laisser des traces mouillées.

VIDANGE DES RÉSERVOIRS

Un système de fermeture automatique à flotteur (25) bloque le système d'aspiration lorsque le réservoir de l'eau de récupération (23) est plein.

Le blocage du système d'aspiration est détecté grâce à l'augmentation de la fréquence du bruit du moteur du système d'aspiration, en outre, le système d'aspiration ne sèche pas le sol.



AVERTISSEMENT !

Si le système d'aspiration s'arrête pour causes accidentelles (par exemple pour l'intervention prématurée du flotteur pendant un déplacement soudain de la machine), pour le démarrer, arrêter la machine en tournant la manette (31) du sélecteur de fonctions sur «0» et vérifier que le flotteur dans la grille (25) est au niveau de l'eau ; enfin, démarrer à nouveau le système d'aspiration en tournant la manette (31) du sélecteur de fonctions.

Lorsque le réservoir de l'eau de récupération (23) est plein, le vider en procédant comme suit.

Vidange du réservoir de l'eau de récupération

1. Contrôler que la manette (31) du sélecteur de fonctions soit en position «0».
2. Pousser la machine dans la zone destinée à l'écoulement.
3. Enlever le couvercle transparent (24).
4. Saisir le guidon (A, Fig. 3) et soulever le réservoir de l'eau de récupération (B).
5. Vider le réservoir de l'eau de récupération. Le travail effectué, rincer le réservoir à l'eau propre.
6. Positionner le réservoir à nouveau dans son logement sur le cadre et le couvercle transparent.

Vidange du réservoir de la solution

7. Exécuter les étapes de 1 à 3.
8. Saisir le guidon (C, Fig. 3) et soulever le réservoir de solution (D).
9. Ouvrir le bouchon (E) et vider le réservoir de solution. Le travail effectué, rincer le réservoir à l'eau propre.
10. Positionner le réservoir à nouveau dans son logement sur le cadre et le couvercle transparent.

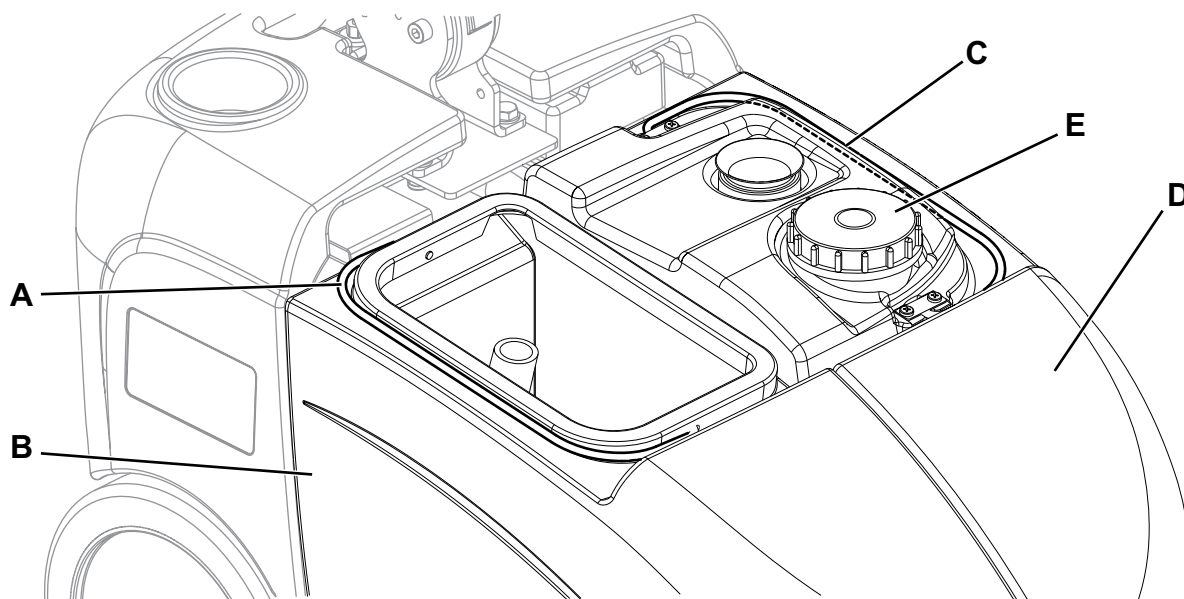


Figure 3

P100409

APRÈS L'UTILISATION DE LA MACHINE

Le travail effectué, avant de laisser la machine :

1. Vider les réservoirs (23 et 22) comme indiqué au paragraphe spécifique.
2. Effectuer les opérations d'entretien prévues après l'utilisation de la machine (voir le chapitre Entretien).
3. Garder la machine dans un endroit sec et propre, avec la brosse / plateau support disque et les lamelles en caoutchouc de l'embouchure déposées ou soulevées.

INACTIVITÉ PROLONGÉE DE LA MACHINE

Si on prévoit de ne pas utiliser la machine pendant plus de 30 jours, il est convenable d'effectuer les opérations suivantes :

1. Effectuer les opérations décrites dans le paragraphe précédent.
2. Ouvrir le couvercle (4) et débrancher le connecteur (7) de la batterie.
3. Garder la machine dans un endroit propre et sec.
4. Pour mieux sauvegarder la brosse et les lamelles en caoutchouc de l'embouchure, plier le guidon (2) et garer la machine comme indiqué dans la figure 4.

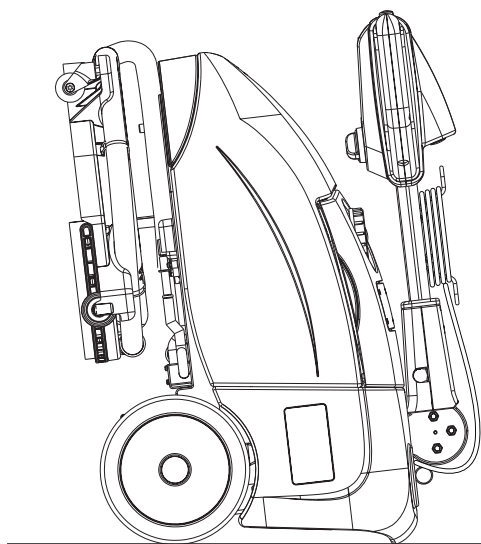


Figure 4

P100410

ENTRETIEN

La durée de vie de la machine et sa sécurité de fonctionnement sont garanties par un entretien soigné et régulier. Veuillez trouver ci-dessous le plan récapitulatif d'entretien programmé. Les périodicités indiquées peuvent subir des variations en fonction de conditions de travail particulières, à définir par le responsable de l'entretien.



ATTENTION !

Les opérations d'entretien doivent être exécutées avec la machine à l'arrêt, la batterie et le câble du chargeur de batterie débranchés.

En outre, lire attentivement toutes les instructions du paragraphe Sécurité.

Toutes les opérations d'entretien programmé ou extraordinaire doivent être effectuées par du personnel qualifié ou par un Service après-vente autorisé. Ce manuel ne contient que les opérations d'entretien les plus simples et les plus récurrentes.



REMARQUE

Pour les procédures des autres opérations d'entretien prévues par le plan d'entretien programmé, se référer au manuel d'entretien consultable auprès des Services après-vente.

PLAN D'ENTRETIEN PROGRAMMÉ

Procédure	Quotidienne, après l'utili- sation de la machine	Hebdo- madaire	Semestrielle	Annuelle
Chargement de la batterie				
Nettoyage de l'embouchure				
Nettoyage de la brosse				
Nettoyage des réservoirs et de la grille d'aspiration				
Contrôle et / ou remplacement des lamelles en caoutchouc de l'embouchure				
Contrôle et nettoyage de la vanne de solution			(1)	
Contrôle et / ou remplacement des embrayages pour la rotation de la tête porte-brosses				(1)

(1) Pour la procédure correspondante, se référer au Manuel d'entretien.

INSTALLATION / REMPLACEMENT DE LA BATTERIE**ATTENTION !**

Les composants électriques de la machine peuvent être sérieusement endommagés si la batterie n'est pas installée et branchée correctement. La batterie doit être installée par le personnel qualifié. Contrôler la batterie avant l'installation pour vérifier qu'elle ne soit pas endommagée.

Débrancher le connecteur de la batterie et la fiche du chargeur de batterie.

Déplacer la batterie avec attention.

Installer les protections des bornes de la batterie équipée avec la machine.

**DANGER !**

Cette machine requiert l'utilisation de batteries au plomb scellés (technologie GEL ou AGM).

Ne pas utiliser pour aucune raison des batteries à électrolyte liquide non scellées (WET).

1. Ouvrir le couvercle (4) et débrancher le connecteur (7) de la batterie.
2. Débrancher les 2 bornes des pôles de la batterie.
3. Dégager la courroie et déposer la batterie.
4. Installer la batterie neuve dans la machine et la fixer au moyen de la courroie spécifique.
5. Brancher les 2 bornes aux pôles de la batterie.

**ATTENTION !**

Faire attention pendant le branchement des pôles de la batterie. Le câble rouge doit être branché au pôle positif (+), le câble noir doit être branché au pôle négatif (-) de la batterie.

Si le branchement n'est pas correct, on pourrait endommager le chargeur de batterie.

6. Fixer les 2 bornes aux pôles de la batterie.
7. Brancher le connecteur (7) de la batterie et fermer le coffre (3).
8. Avant d'utiliser la machine, effectuer un cycle de recharge de la batterie.

**ATTENTION !**

La batterie (GEL / AGM) installée pourrait nécessiter d'un algorithme de chargement spécifique : contacter toujours un Service après-vente qualifié Advance pour configurer l'algorithme de chargement le plus adapté à la batterie achetée.

CHARGEMENT DE LA BATTERIE**REMARQUE**

Charger les batteries lorsque le DEL jaune ou rouge s'allume, ou à chaque fin du travail.

Garder la batterie chargée afin de prolonger sa vie utile.

**AVERTISSEMENT !**

Lorsque la batterie est déchargée, la recharger dès que possible, afin de ne pas réduire sa durée de vie utile.

Contrôler la charge de la batterie au moins une fois par semaine.

1. Porter la machine sur un sol plat.
2. Contrôler que la manette (31) du sélecteur de fonctions soit en position «0».
3. Brancher le câble (10) du chargeur de batterie au réseau électrique [la tension et la fréquence de réseau doivent coïncider avec les valeurs correspondantes du chargeur de batterie, indiquées sur la plaque (1) de la machine].

**REMARQUE**

Lorsque le chargeur de batterie est branché au réseau électrique, toutes les fonctions de la machine sont automatiquement exclues.

Le DEL rouge et jaune des indicateurs de l'état de charge (37) de la batterie indiquent que le chargeur de batterie est en train de charger la batterie.

4. Quand le DEL vert de l'indicateur de l'état de charge (37) de la batterie s'allume fixe, le cycle de chargement des batteries est terminé.
5. Le cycle de chargement terminé, débrancher le câble (10) du chargeur de batterie du réseau électrique et l'enrouler autour du logement correspondant (11).
6. La machine est prête à l'utilisation.

**REMARQUE**

Pour de plus amples informations relatives au fonctionnement du chargeur de batterie (9), voir le Manuel des Instructions d'utilisation correspondant.

RÉGLAGE DE L'AVANCE DE LA MACHINE**REMARQUE**

La vitesse d'avance rectilinéaire de la machine peut varier en fonction du type de sol à nettoyer, ou de l'utilisation de la brosse ou du disque.

Si besoin est, effectuer les réglages en procédant comme suit.

1. Déposer les réservoirs de l'eau de récupération et de la solution.
2. Régler la vitesse d'avance de la machine au moyen du bouton (A, Fig. 5) :
 - Tourner le bouton dans le sens contraire aux aiguilles d'une montre pour augmenter la vitesse d'avance de la machine.
 - Tourner le bouton dans le sens des aiguilles d'une montre pour réduire la vitesse d'avance de la machine.
3. Si l'on relève que la machine a tendance à dévier de la direction d'avance rectilinéaire, il est possible d'agir sur le bouton (B) en le tournant dans le sens des aiguilles d'une montre ou dans le sens contraire pour corriger la déviation et obtenir un mouvement essentiellement neutre.
4. Le réglage terminé, installer les réservoirs comme indiqué dans le chapitre Utilisation.
5. Avec la machine en état de fonctionnement, effectuer des essais pratiques de la machine et, le cas échéant, répéter les étapes de 1 à 4.

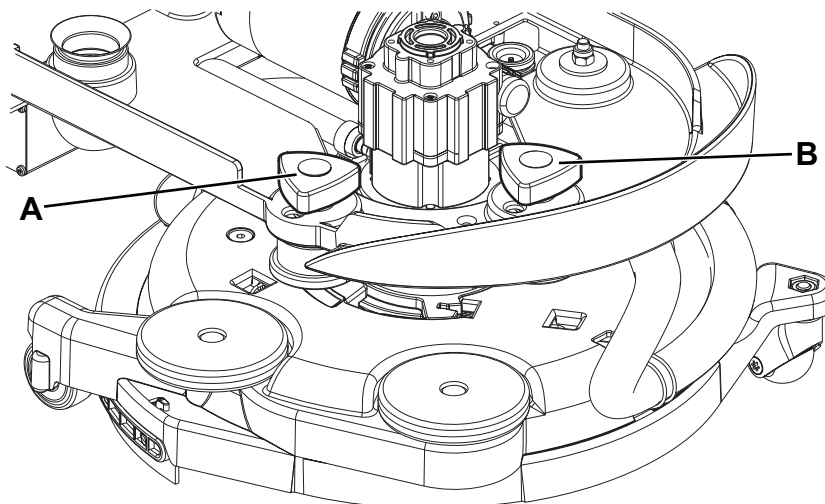


Figure 5

P100413

NETTOYAGE DE L'EMBOUCHURE



REMARQUE

Pour un bon séchage, l'embouchure doit être propre et les lamelles en caoutchouc doivent être en bon état.



ATTENTION !

Lors du nettoyage de l'embouchure, il est conseillé de porter des gants de protection à cause de la présence éventuelle de débris tranchants.

1. Porter la machine sur un sol plat.
2. Contrôler que la manette (31) du sélecteur de fonctions soit en position «0» et débrancher le connecteur de la batterie (7).
3. Tourner la tête porte-brosse / plateau support disque (12) dans le sens contraire aux aiguilles d'une montre jusqu'à fin de course.
4. Déconnecter le tuyau d'aspiration (A, Fig. 6) de l'embouchure.
5. Dégager l'embouchure (B) de la tête.
6. Laver et nettoyer l'embouchure. Nettoyer en particulier les compartiments de convoyage (C) et l'orifice d'aspiration (D) de la saleté et des déchets.
7. Contrôler que la lamelle en caoutchouc avant (E) et la lamelle en caoutchouc arrière (F) sont intactes et qu'elles ne présentent pas de coupures ou déchirures ; dans le cas contraire, les remplacer (voir la procédure au paragraphe suivant).
8. Pour la repose, procéder dans l'ordre inverse de la dépose.

CONTRÔLE ET REMPLACEMENT DES LAMELLES EN CAOUTCHOUC DE L'EMBOUCHURE

1. Nettoyer l'embouchure comme indiqué au paragraphe précédent.
2. Contrôler si la lamelle en caoutchouc avant (E, Fig. 6) et la lamelle en caoutchouc arrière (F) sont intactes et qu'elles ne présentent pas de coupures ou déchirures ; en cas contraire, les remplacer selon les instructions suivantes. Contrôler que l'arête (G) de la lamelle en caoutchouc arrière n'est pas usée ; en cas contraire, tourner la lamelle en caoutchouc, en remplaçant l'arête usée avec l'une des trois arêtes intactes. Si toutes les arêtes sont usées, remplacer la lamelle en caoutchouc en procédant comme suit :
 - Dégager la barre élastique de fixation (H) des dispositifs de retenue (I).
 - Remplacer (ou renverser) la lamelle en caoutchouc arrière (F), puis remonter la barre élastique de fixation.
 - Dégager la barre de fixation (J) des dispositifs de retenue (K).
 - Remplacer (ou renverser) la lamelle en caoutchouc avant (E), puis remonter la barre de fixation.
3. Installer l'embouchure (B) en insérant avec soin les crochets (L) et l'orifice d'aspiration (M) dans les logements de la tête porte-brosses.
4. Connecter le tuyau d'aspiration (A) à l'embouchure.

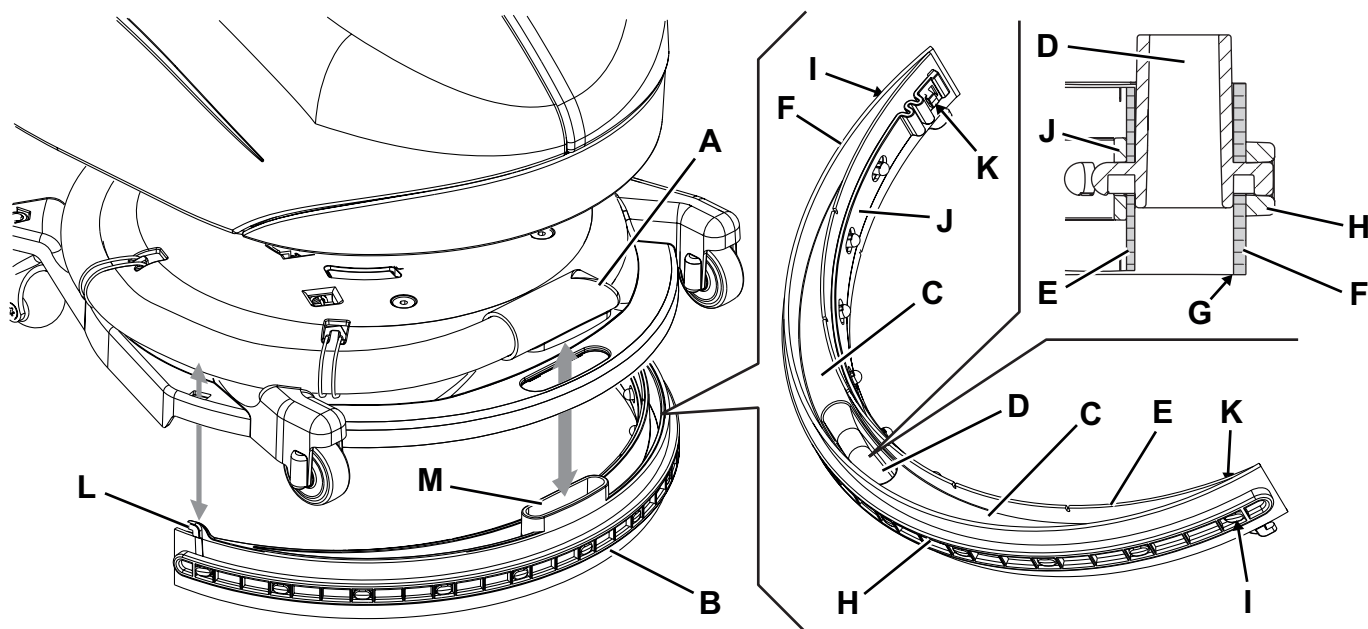


Figure 6

P100411

NETTOYAGE DE LA BROSSE



REMARQUE

Lors du nettoyage de la brosse, il est conseillé de porter des gants de protection à cause de la présence éventuelle de débris tranchants.

1. Déposer la brosse de la machine comme décrit au chapitre Utilisation.
2. Nettoyer et laver la brosse avec de l'eau et de la solution.
3. Contrôler que les poils de la brosse sont intacts et non excessivement usés ; dans le cas contraire, remplacer la brosse.

NETTOYAGE DES RESERVOIRS, DU COUVERCLE ET DE LA GRILLE D'ASPIRATION

1. Pousser la machine dans la zone destinée à l'écoulement.
2. Contrôler que la manette (31) du sélecteur de fonctions soit en position «0» et débrancher le connecteur de la batterie (7).
3. Déposer le couvercle (A, Fig. 7), puis nettoyer et laver à l'eau propre le couvercle et la grille d'aspiration (B).
4. Vider l'eau des réservoirs (C et D) et les nettoyer.
5. Si besoin est, démonter la grille (B) et enlever le flotteur (E), puis nettoyer avec soin et installer à nouveau.
6. Contrôler l'intégrité du joint d'étanchéité (F) du couvercle du réservoir de l'eau de récupération.



REMARQUE

Le joint d'étanchéité (F) permet la création d'une dépression dans le réservoir, nécessaire à l'aspiration de l'eau de récupération.

Si besoin est, déposer le joint d'étanchéité (F) de son logement (G) sur le couvercle. Lors de la repose du nouveau joint d'étanchéité, positionner le raccord (H) dans la zone indiquée dans la figure.

7. Contrôler aussi la propreté et l'efficacité de la surface d'appui (I) du joint d'étanchéité (F).
8. Contrôler le conduit d'aspiration (J) et le joint (K) et, si besoin est, nettoyer avec soin.
9. Installer à nouveau le couvercle du réservoir de l'eau de récupération (A).

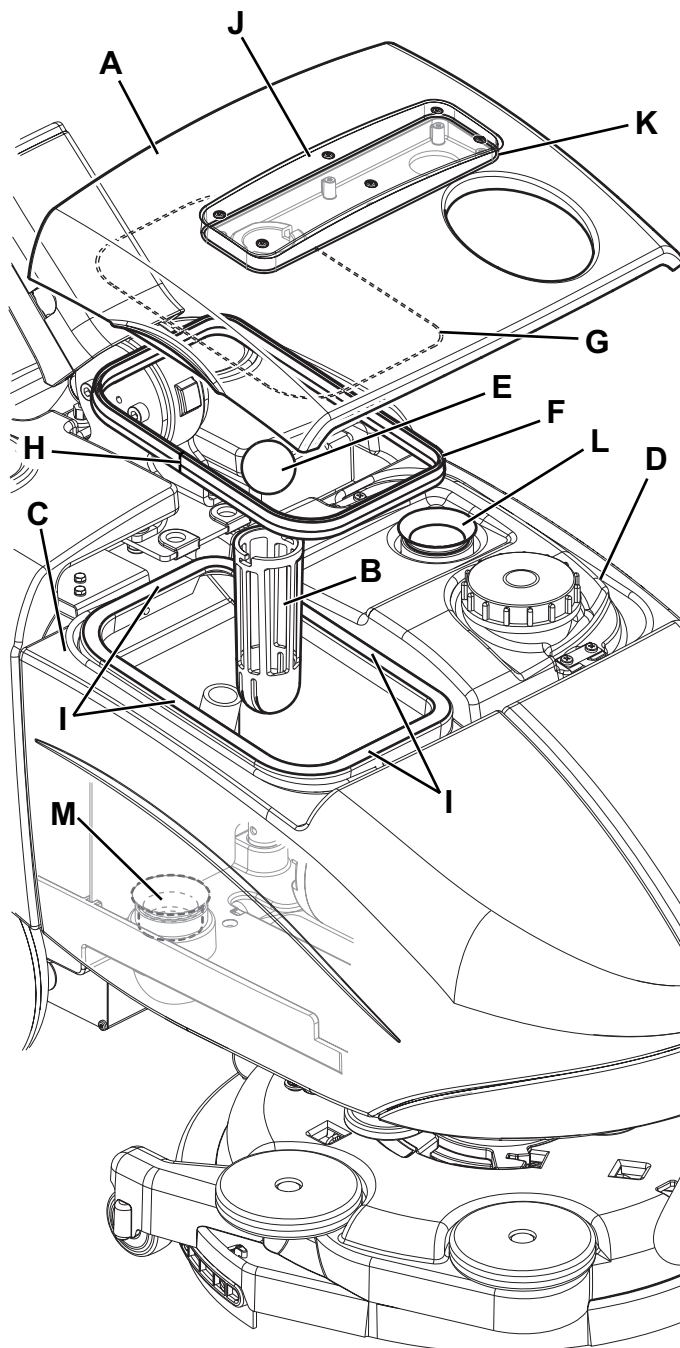


Figure 7

NETTOYAGE DES JOINTS DU SYSTÈME D'ASPIRATION



REMARQUE

Les joints (L) et (M) permettent la création d'une dépression dans le système, nécessaire à l'aspiration de l'eau de récupération.

1. Porter la machine sur un sol plat.
2. Contrôler que la manette (31) du sélecteur de fonctions soit en position «0» et débrancher le connecteur de la batterie (7).
3. Ouvrir le couvercle (A, Fig. 7) et contrôler l'intégrité du joint (L) du moteur du système d'aspiration. Si besoin est, déposer le joint de son logement et le remplacer.
4. Déposer le réservoir de l'eau de récupération (C).
5. Contrôler l'intégrité du joint d'étanchéité (M) du conduit pour l'eau de récupération. Le cas échéant, remplacer le joint.
6. Nettoyer avec soin et installer à nouveau.

P100412

CONTROLE / REMPLACEMENT / RETABLISSEMENT DES FUSIBLES

1. Porter la machine sur un sol plat.
2. Contrôler que la manette (31) du sélecteur de fonctions soit en position «0» et débrancher le connecteur de la batterie (7).
3. Ouvrir le couvercle (4) et contrôler si les fusibles suivants sont débranchés ou intacts (Fig. 8) :
 - (A) : Fusible restaurable F1 (35 A), moteur brosse.
 - (B) : Fusible à lamelle F2 (30 A), moteur système d'aspiration.
 - (C) : Fusible à lamelle F3 (5 A), composants auxiliaires.
 Restaurer ou remplacer le fusible après avoir vérifié et éliminé la cause qui a déterminé la coupure.
4. Fermer le couvercle (4).

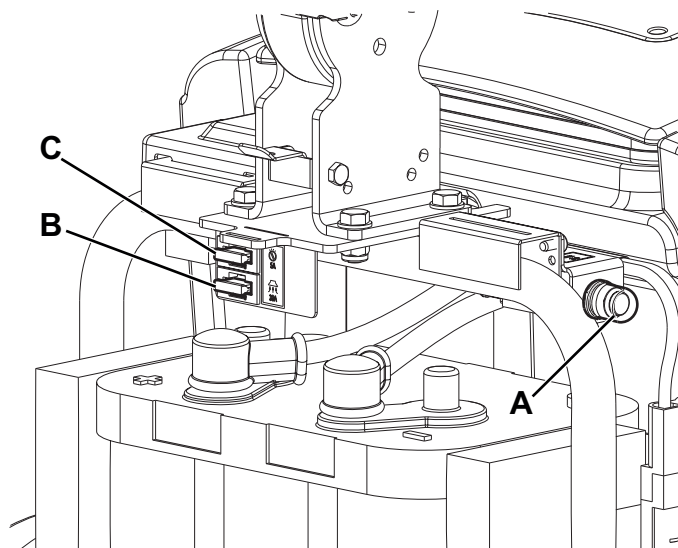


Figure 8

P100414

DÉPISTAGE DES PANNES

Problème	Cause possible	Remède
Les moteurs ne fonctionnent pas ; aucun DEL ne s'allume.	Le connecteur de la batterie est débranché.	Connecter.
	Batterie complètement déchargée.	Charger.
	Fusible F3 interrompu.	Remplacer.
Le moteur de la brosse ne fonctionne pas.	Fusible F1 déclenché.	Restaurer le fusible.
Le moteur du système d'aspiration ne démarre pas.	Fusible F2 interrompu.	Remplacer.
L'aspiration de l'eau sale est insuffisante.	Réservoir d'eau de récupération plein.	Vider.
	Grille d'aspiration obstruée ou flotteur bloqué en position fermée.	Nettoyer la grille et contrôler le flotteur.
	Tuyau d'aspiration déconnecté de l'embouchure ou défectueux.	Connecter ou remplacer. (*)
	Embouchure sale ou lamelles en caoutchouc d'embouchure usées / endommagées.	Nettoyer l'embouchure ou remplacer les lamelles en caoutchouc.
	Couvercle du réservoir de l'eau de récupération pas bien fermé, ou joints endommagés.	Contrôler et / ou nettoyer la zone de contact ou remplacer le / les joints.
	Filtre du moteur du système d'aspiration sale.	Nettoyer.
Le flux de solution à la brosse / disque est insuffisant.	Conduit de la solution sale / colmaté.	Nettoyer.
	Électrovanne en panne.	Remplacer. (*)
L'embouchure laisse des traces au sol.	Débris sous les lamelles en caoutchouc de l'embouchure.	Enlever les débris.
	Lamelles en caoutchouc de l'embouchure usées, ébréchées ou déchirées.	Remplacer les lamelles en caoutchouc.

(*) Opération d'entretien de ressort d'un Service après vente agréé Advance.

**REMARQUE**

La machine ne peut pas fonctionner sans le chargeur de batterie.

En cas de panne du chargeur de batterie, s'adresser à un Service après-vente autorisé.

Pour de plus amples informations, se référer au manuel d'entretien consultable auprès des Services après-vente Advance.

MISE À LA FERRAILLE

Effectuer la mise à la ferraille de la machine auprès d'un démolisseur autorisé.

Avant d'effectuer la mise à la ferraille de la machine il est nécessaire de déposer et séparer les éléments suivants et les envoyer aux collectes sélectives, conformément aux normes d'hygiène de l'environnement en vigueur :

- Batterie
- Broses
- Tuyaux et pièces en matériel plastique
- Parties électriques et électroniques (*)

(*) Notamment pour la mise en décharge des parties électriques et électroniques, s'adresser auprès du centre Advance le plus proche.

ÍNDICE

INTRODUCCIÓN.....	2
FINALIDAD Y OBJETO DE ESTE MANUAL	2
DESTINATARIOS	2
CONSERVACIÓN DEL MANUAL	2
DATOS DE IDENTIFICACIÓN.....	2
OTROS MANUALES DE REFERENCIA	2
PIEZAS DE REPUESTO Y MANTENIMIENTO	2
MODIFICACIONES Y MEJORAS.....	2
CARACTERÍSTICAS DE FUNCIONAMIENTO	3
CONVENCIONES.....	3
DESEMBALAJE/ENTREGA.....	3
SEGURIDAD	3
SÍMBOLOS VISIBLES EN LA MÁQUINA	3
SÍMBOLOS QUE APARECEN EN EL MANUAL.....	4
INSTRUCCIONES GENERALES	4
DESCRIPCIÓN DE LA MÁQUINA.....	6
ESTRUCTURA DE LA MÁQUINA.....	6
MANILLAR CON PANEL DE CONTROL Y MANDOS	7
ACCESORIOS/OPCIONES.....	7
DATOS TÉCNICOS	8
ESQUEMA ELÉCTRICO	9
USO.....	10
CONTROL/PREPARACIÓN DE LA BATERÍA EN LA MÁQUINA NUEVA	10
ANTES DE LA PUESTA EN MARCHA DE LA MÁQUINA.....	10
PUESTA EN MARCHA Y PARADA DE LA MÁQUINA.....	11
MÁQUINA EN FUNCIÓN (LAVADO/SECAMIENTO).....	12
TRANSPORTE/ESTACIONAMIENTO DE LA MÁQUINA	13
VACIADO DE LOS DEPÓSITOS.....	13
DESPUÉS DEL USO DE LA MÁQUINA	14
PERIODO DE LARGA INACTIVIDAD DE LA MÁQUINA.....	14
MANTENIMIENTO	14
ESQUEMA DE MANTENIMIENTO PROGRAMADO.....	14
INSTALACIÓN/SUSTITUCIÓN DE LA BATERÍA.....	15
CARGA DE LA BATERÍA	15
AJUSTE DEL AVANCE DE LA MÁQUINA	16
LIMPIEZA DE LA BOQUILLA.....	17
CONTROL Y SUSTITUCIÓN DE LOS CAUCHOS DE LA BOQUILLA.....	17
LIMPIEZA DEL CEPILLO.....	18
LIMPIEZA DE LOS DEPÓSITOS, DE LA TAPA Y DE LA REJILLA DE ASPIRACIÓN	18
LIMPIEZA DE LAS GUARNICIONES DEL SISTEMA DE ASPIRACIÓN.....	18
CONTROL/SUSTITUCIÓN/RESTABLECIMIENTO DE LOS FUSIBLES	19
BÚSQUEDA AVERÍAS	19
ELIMINACIÓN.....	20

INTRODUCCIÓN



NOTA

Los números entre paréntesis se refieren a los componentes ilustrados en el capítulo Descripción de la máquina.

FINALIDAD Y OBJETO DE ESTE MANUAL

Este manual contiene todas las informaciones necesarias para que el operador utilice la máquina de forma adecuada, autónoma y segura. Incluye informaciones inherentes a los datos técnicos, la seguridad, el funcionamiento, el almacenamiento, el mantenimiento, las piezas de repuesto y la eliminación.

Antes de efectuar cualquier operación de mantenimiento, los operadores y los técnicos calificados tienen que leer cuidadosamente las instrucciones incluidas en este manual. En caso de dudas sobre la correcta interpretación de las instrucciones, contactar con Advance para obtener explicaciones.

DESTINATARIOS

Este manual es para los operadores y los técnicos encargados del mantenimiento de la máquina.

El operador no debe efectuar procedimientos reservados a los técnicos calificados. Advance no es responsable para los daños causados a la máquina por falta de observación de esta prohibición.

CONSERVACIÓN DEL MANUAL

Las Instrucciones de uso deben conservarse junto a la máquina, dentro de su contenedor, lejos de líquidos y otras sustancias que podrían dañarlo.

DATOS DE IDENTIFICACIÓN

El número de serie y el modelo de la máquina están marcados en la placa (1).

En la misma placa se indican también el año de fabricación y el código del producto.

Esta información es necesaria cuando se pidan piezas de repuesto para la máquina. Utilizar el espacio siguiente para escribir los datos de identificación de la máquina.

Modelo MÁQUINA
Código del PRODUCTO
Número de serie MÁQUINA

OTROS MANUALES DE REFERENCIA

- Manual del cargador de baterías electrónico (debe considerarse parte integrante de este manual)
- Catálogo piezas de repuestos (en dotación a la máquina)
- Manual de asistencia (solo los técnicos calificados lo puede consultar cerca de los Centros de asistencia Advance)

PIEZAS DE REPUESTO Y MANTENIMIENTO

Para cualquier necesidad inherente al uso, mantenimiento y reparación, consultar al personal calificado o los Centros de asistencia Advance. Usar siempre piezas de repuesto y accesorios originales.

Para la asistencia o para pedir piezas de repuesto y accesorios acudir a Advance, especificando siempre el modelo, el código del producto y el número de serie de la máquina.

MODIFICACIONES Y MEJORAS

Advance está constantemente mejorando sus productos y se reserva el derecho de realizar modificaciones y mejoras a su discreción, sin verse obligada a aplicar dichas ventajas a las máquinas vendidas previamente.

Sólo Advance puede aprobar y efectuar cualquier modificación y/o instalación de accesorios.

CARACTERÍSTICAS DE FUNCIONAMIENTO

La fregadora/secadora es adecuada para limpiar (lavar y secar) suelos lisos y sólidos, en ambiente privado o industrial, en condiciones de seguridad, por parte de un operador calificado.

La fregadora/secadora no es adecuada para limpiar alfombras o moqueta.

CONVENCIONES

En este manual, las indicaciones de adelante, atrás, delantero, trasero, derecho e izquierdo, se refieren al operador en posición de conducción con las manos sobre el manillar (2).

DESEMBALAJE/ENTREGA

Para desembalar la máquina seguir cuidadosamente las instrucciones colocadas sobre el embalaje.

Al momento de la entrega, controlar atentamente el embalaje y la máquina por si hayan sufrido daños durante el transporte. Si los daños son evidentes, conservar el embalaje, de forma que el transportista que lo ha entregado lo pueda inspeccionar. Contactarlo de inmediato para compilar una indemnización daños y perjuicios.

Controlar que la máquina sea entregada junto a los siguientes componentes:

- Documentación técnica:
 - Manual de Instrucciones de uso de la fregadora/secadora
 - Manual del cargador de baterías
 - Catálogo piezas de repuestos de la fregadora/secadora
 - N° 2 fusibles laminares



¡ATENCIÓN!

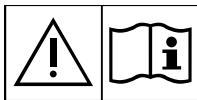
Los Productos a la venta en este Manual contienen, o pueden contener, productos químicos reconocidos por algunos gobiernos (como el Estado de California, según lo indica en su Proposición 65, Ley de Advertencia Regulatoria) como causantes de cáncer, defectos de nacimiento u otros daños reproductivos. En algunas jurisdicciones (incluido el Estado de California), los compradores de estos Productos que los coloquen en servicio en un emplazamiento laboral o en un espacio de acceso público tienen la obligación regulatoria de realizar determinados avisos, advertencias o divulgaciones respecto de los productos químicos contenidos o posiblemente contenidos en los Productos utilizados en tal lugar. Es la responsabilidad del comprador conocer y cumplir con todas las leyes y reglamentaciones relacionadas con el uso de estos Productos en tales entornos. El Fabricante niega toda responsabilidad de informar a los compradores sobre requisitos específicos que pueden regir el uso de los Productos en tales entornos.

SEGURIDAD

La siguiente simbología sirve para señalar situaciones de peligro potencial. Leer siempre cuidadosamente estas informaciones y tomar las precauciones necesarias para proteger personas y cosas.

Para evitar desgracias, la cooperación del operador de la máquina es fundamental. Ningún programa de prevención de accidentes resulta eficaz sin la total cooperación de la persona directamente responsable del funcionamiento de la máquina. La mayoría de los accidentes que pueden ocurrir en una empresa, durante el trabajo o los traslados, son causados por no observar las reglas de seguridad fundamentales. Un operador cuidadoso y cauto es la mejor garantía para evitar posibles accidentes y resulta más eficaz que cualquier programa de prevención.

SÍMBOLOS VISIBLES EN LA MÁQUINA



¡ATENCIÓN!

Leer con cuidado todas las instrucciones antes de efectuar cualquier operación en la máquina.



¡ATENCIÓN!

No lavar la máquina con chorros de agua directa o presurizada.



¡ATENCIÓN!

No usar la máquina sobre rampas o inclinaciones superiores a las especificaciones.

SÍMBOLOS QUE APARECEN EN EL MANUAL



¡PELIGRO!
Indica un peligro con riesgo, incluso mortal, para el operador.



¡ATENCIÓN!
Indica el riesgo potencial de infortunios para las personas o de daños a las cosas.



¡ADVERTENCIA!
Indica una advertencia o una nota sobre una función importante o útil. Tener cuidado de las partes del texto marcadas con este símbolo.



NOTA
Indica una nota sobre una función importante o útil.



CONSULTAS
Indica la necesidad de consultar el Manual de Instrucciones de uso antes de efectuar cualquier operación.

INSTRUCCIONES GENERALES

Se describen aquí las advertencias y precauciones específicas por lo que se refiere a los potenciales riesgos de daños a la máquina o a las personas.



- ¡PELIGRO!**
- Antes de efectuar cualquier operación de limpieza, mantenimiento o sustitución de piezas llevar la perilla de selección de funciones en posición "0" y, si necesario, desconectar el conector de las baterías.
 - Sólo los operadores cualificados pueden usar esta máquina.
 - Quitarse las joyas cuando se trabaja cerca de los componentes eléctricos.
 - No trabajar bajo la máquina levantada si ésta no está fijada con los soportes de seguridad adecuados.
 - No activar la máquina en un ambiente donde haya polvo, líquidos o vapores nocivos, peligrosos, inflamables y/o explosivos: esta máquina no es adecuada para recoger polvos peligrosos.
 - Tener chispas, llamas y materiales incandescentes lejos de la batería. Durante el uso normal pueden salir gases explosivos.
 - Cargando la batería se produce gas hidrógeno muy explosivo. Tener la tapa abierta durante la carga de la batería y efectuar el procedimiento solo en áreas muy bien ventiladas y lejos de llamas libres.



- ¡ATENCIÓN!**
- Antes de efectuar cualquier operación de mantenimiento/repación, leer cuidadosamente todas las instrucciones relacionadas al mantenimiento/repación.
 - Antes de usar el cargador de baterías, asegurarse de que la frecuencia y la tensión indicadas en la placa del número de serie de la máquina coincidan con la tensión de la red.
 - No tirar o transportar la máquina por el cable del cargador de baterías; no utilizar el cable como manilla. No cerrar el cable del cargador de baterías en una puerta o tirarlo sobre bordes o ángulos afilados. No atropellar el cable del cargador de baterías con la máquina.
 - Tener el cable del cargador de baterías lejos de superficies calientes.
 - No usar la máquina si el cable del cargador de baterías y el enchufe están dañados. Si la máquina no funciona correctamente, está dañada, quedada al exterior o bañada, llevarla a un Centro de asistencia.
 - Para reducir el riesgo de incendio, electrochoque o lesiones, no dejar la máquina conectada a la red eléctrica cuando está sin custodia. Antes de efectuar las operaciones de mantenimiento, desconectar el cable del cargador de baterías de la red eléctrica.
 - No fumar cuando se carga la batería.
 - Proteger siempre la máquina del sol, lluvia y otras intemperies, tanto durante el funcionamiento como durante los períodos de inactividad. Almacenar la máquina en un lugar cerrado y seco: esta máquina sólo se puede usar en seco y no se debe usar o tener al exterior en condiciones de humedad.
 - Antes de usar la máquina, cerrar todos los portillos y/o las tapas como indicado en el Manual de Instrucciones de uso.

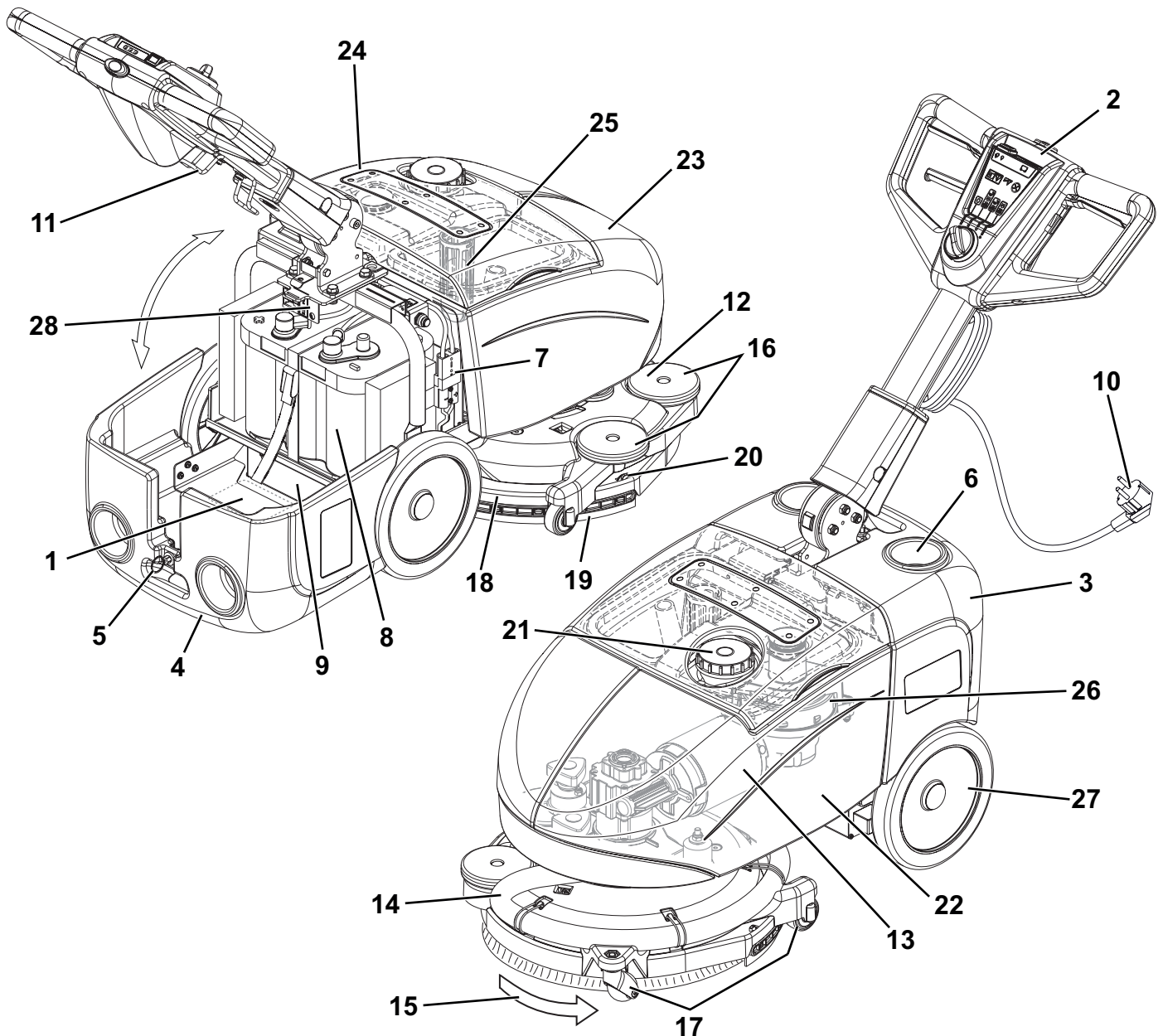
**¡ATENCIÓN!**

- *El aparato no está diseñado para que lo usen personas (incluidos los niños) con reducidas capacidades físicas, mentales o sensoriales o con experiencia y/o competencias insuficientes, a no ser que lo utilicen bajo la supervisión de una persona responsable de su seguridad o que ésta les enseñe a usarlo. Los niños deben ser supervisados para asegurarse de que no jueguen con el aparato.*
- *Tener mucho cuidado cuando se utiliza cerca de niños.*
- *No usar con finalidades diferentes de aquellas indicadas en este manual. Usar sólo accesorios recomendados por Advance.*
- *Controlar con cuidado la máquina antes de usarla, comprobar que se hayan montados todos los componentes antes de usarla. El uso de la máquina no perfectamente montada puede causar lesiones a personas y daños a los aparatos.*
- *Tomar todas las precauciones necesarias para que el pelo, las joyas y las ropas no sean capturados por las partes móviles de la máquina.*
- *Tener mucho cuidado con las partes móviles de la máquina. Durante el uso el cabezal puede girar de repente de 180°.*
- *No usar la máquina sobre pendientes.*
- *No inclinar la máquina con un ángulo superior al valor indicado en la máquina misma, para no perjudicar la estabilidad.*
- *No usar la máquina en ambientes demasiado polvorientos.*
- *Usar la máquina sólo en áreas con suficiente iluminación.*
- *Cuando se usa esta máquina, tener cuidado de salvaguardar la incolumidad de personas y cosas.*
- *No chocar contra estanterías o andamios de los que puedan caer objetos.*
- *No apoyar contenedores de líquidos sobre la máquina, usar el portabebidas.*
- *La temperatura de la máquina en trabajo debe estar entre +32°F y 104°F (0°C y +40°C).*
- *La temperatura de almacenamiento de la máquina debe estar entre 0°C y +40°C (+32°F y 104°F).*
- *La humedad debe estar entre el 30% y el 95%.*
- *Cuando se usan detergentes, seguir las instrucciones y advertencias indicadas en las etiquetas de los frascos.*
- *Cuando se usan detergentes, usar guantes y protecciones adecuadas.*
- *No usar la máquina como vehículo de transporte.*
- *No permitir que el cepillo funcione mientras la máquina está parada en un punto para evitar posibles daños al suelo.*
- *En caso de incendio usar un extintor de polvo, no de agua.*
- *No adulterar por ninguna razón la máquina, respetar escrupulosamente las instrucciones previstas para el mantenimiento ordinario.*
- *No dejar que material extraño entre en las aperturas. No usar la máquina si las aperturas están obstruidas. Las aperturas deben mantenerse libre de polvo, hilacha, pelos y cualquier otro cuerpo extraño que pueda reducir el flujo de aire.*
- *No quitar ni modificar las placas colocadas en la máquina.*
- *Esta máquina no tiene aprobación para el uso en carreteras o vías públicas.*
- *Tener cuidado durante el traslado de la máquina en condiciones de temperatura muy baja. El agua en el depósito del agua de recuperación o en los tubos, podría congelarse y dañar la máquina.*
- *Utilizar sólo los cepillos y los fieltros suministrados con la máquina o aquellos especificados en el Manual de Instrucciones de uso. Usar otros cepillos o fieltros puede perjudicar la seguridad.*
- *Cuando la máquina no funciona correctamente, asegurarse de que esto no sea causado por falta de mantenimiento. En caso contrario, pedir la intervención del personal autorizado o del Centro de asistencia autorizado.*
- *Si deben sustituirse piezas, solicitar piezas de repuesto ORIGINALES a un Concesionario y/o Revendedor autorizado.*
- *Para asegurar condiciones de funcionamiento correcto y seguro, el personal autorizado o el Centro de asistencia autorizado debe llevar a cabo el mantenimiento programado según las especificaciones indicadas en el capítulo relacionado de este manual.*
- *No lavar la máquina con chorros de agua directa o presurizada, o con sustancias corrosivas.*
- *Nunca se debe abandonar la máquina al final del ciclo vital, por la presencia de materiales tóxicos y dañinos (batería, etc.) sujetos a normativas que exigen que se realice la eliminación en centros especiales (véase el capítulo Eliminación).*

DESCRIPCIÓN DE LA MÁQUINA

ESTRUCTURA DE LA MÁQUINA

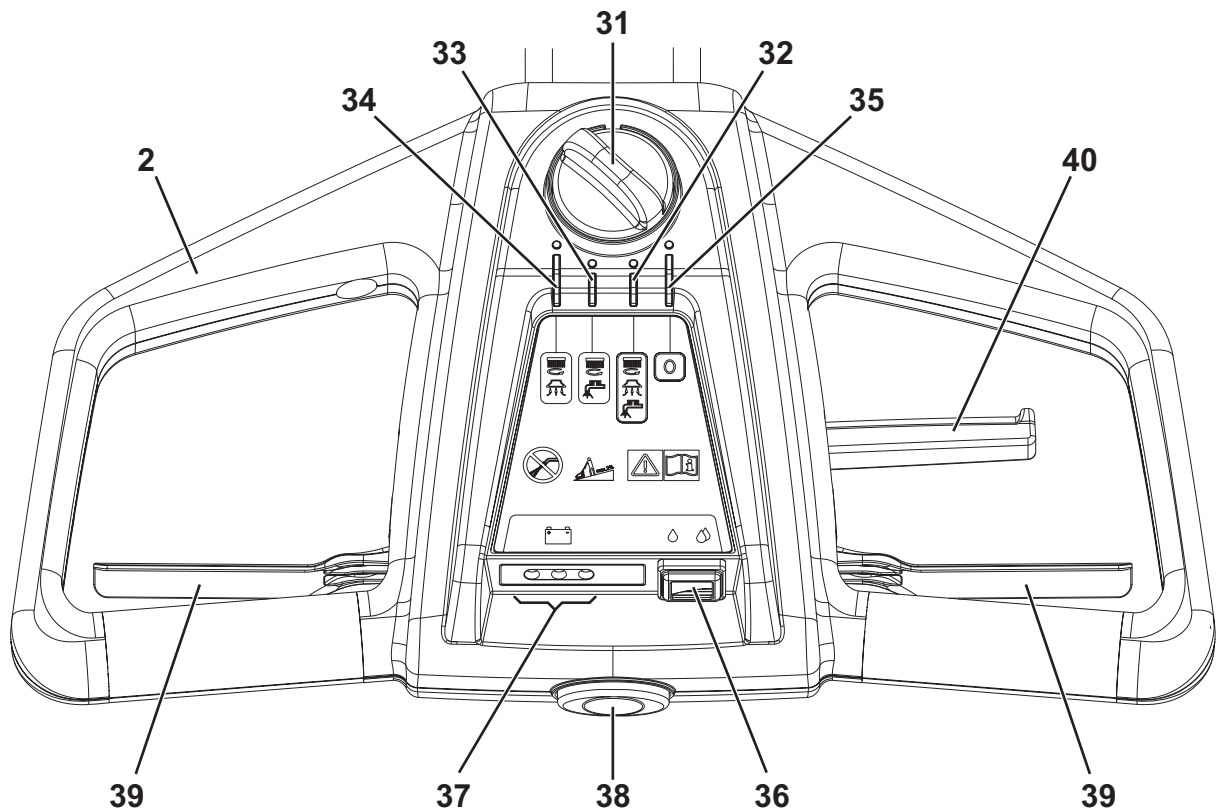
- | | |
|--|--|
| <ol style="list-style-type: none"> 1. Placa número de serie/datos técnicos/marcación de conformidad 2. Manillar con panel de control y mandos (véase el párrafo siguiente) 3. Tapa del compartimiento de las baterías y accesorios (cerrada) 4. Tapa del compartimiento de las baterías y accesorios (abierta) 5. Cierre de la tapa 6. Portaobjetos 7. Conector de conexión batería. Este conector funciona también como pulsador de EMERGENCIA, para la interrupción inmediata de todas las funciones. 8. Batería GEL/AGM 9. Cargador de baterías 10. Cable de alimentación del cargador de baterías 11. Soporte del cable del cargador de baterías 12. Cabezal portacepillo/portafieltro 13. Motorreductor del cabezal portacepillo | <ol style="list-style-type: none"> 14. Tubo de aspiración de la boquilla 15. Sentido de rotación cepillo 16. Ruedas paragolpes del cabezal 17. Ruedas del cabezal portacepillos 18. Boquilla 19. Conjunto cauchos de la boquilla 20. Pinzas de fijación de la boquilla 21. Tapón de llenado del depósito de la solución detergente 22. Depósito de la solución detergente 23. Depósito del agua de recuperación 24. Tapa transparente con rejilla de aspiración 25. Rejilla de aspiración con sistema de cierre automático de flotador 26. Motor sistema de aspiración 27. Ruedas traseras en eje fijo 28. Fusibles |
|--|--|



P100404

MANILLAR CON PANEL DE CONTROL Y MANDOS

- | | |
|---|---|
| <p>31. Perilla de selección de funciones</p> <p>32. Programa de lavado y secamiento: accionamiento cepillo - accionamiento sistema de aspiración - apertura flujo solución detergente</p> <p>33. Programa de lavado: accionamiento cepillo - apertura flujo solución detergente</p> <p>34. Programa de secamiento: accionamiento cepillo - accionamiento sistema de aspiración</p> <p>35. Posición "0" de apagamiento máquina</p> | <p>36. Interruptor del flujo de la solución detergente</p> <ul style="list-style-type: none"> • Una gota - flujo "ECO" de solución detergente • Dos gotas - flujo máximo de solución detergente <p>37. Indicadores LED de carga de la batería</p> <ul style="list-style-type: none"> • LED verde - batería cargada • LED amarillo - batería casi descargada • LED rojo - batería descargada <p>38. Pulsador de asenso accionamiento máquina</p> <p>39. Palancas de accionamiento cepillo</p> <p>40. Palanca de ajuste de la inclinación del manillar</p> |
|---|---|



P100405

ACCESORIOS/OPCIONES

Además de los componentes instalados en la versión estándar, la máquina puede equiparse con los siguientes accesorios/ opciones, según el uso específico:

- Cepillos de diferentes materiales
- Filtros de diferentes materiales

Para informaciones suplementarias sobre estos accesorios opcionales, acudir al Revendedor autorizado.

DATOS TÉCNICOS

Descripción	SC351
Capacidad del depósito de la solución detergente	2,9 USgal (11 litros)
Capacidad del depósito del agua de recuperación	2,9 USgal (11 litros)
Largura mínima/máxima de la máquina al manillar	31.9 in / 50 in (810 mm / 1270 mm)
Anchura de la máquina	18.5 in (470 mm)
Altitud mínima/máxima de la máquina con manillar ajustable	21.6 / 39.4 in (550 / 1000 mm)
Anchura mínima para inversión de marcha	33.5 in (850 mm)
Anchura de barrido	14.5 in (370 mm)
Diámetro ruedas en eje fijo	8.4 in (214 mm)
Presión ruedas sobre el suelo	72.5 psi (0.5 N/mm ²)
Diámetro cepillo/fieltro	14.5 in (370 mm)
Presión cepillo/fieltro sobre el suelo	40 lb (18 Kg)
Presión cepillo/fieltro en el suelo con depósito lleno	60 lb (27 Kg)
Flujo de la solución detergente mín/máx	Una gota "ECO": 0.066 gpm (0.25 litros/min) Dos gotas: 0.13 gpm (0.5 litros/min)
Presión sonora a la oreja del operador (ISO 11201, ISO 4871, EN 60335-2-72) (LpA)	65 dB(A) ± 3 dB(A)
Potencia acústica emitida por la máquina (ISO 3744, ISO 4871, EN 60335-2-72) (LwA)	84 dB(A)
Nivel de vibraciones al brazo del operador (ISO 5349-1, EN 60335-2-72)	< 98.4 in/s ² (< 2.5 m/s ²)
Inclinación máxima de trabajo	2%
Grado de protección IP	X4
Clase de protección (eléctrica)	III
Potencia del motor del sistema de aspiración	0.27 hp (200 W)
Aspiración	27.7 in/H ₂ O (710 mmH ₂ O)
Potencia del motor del cepillo/portafieltro	0.35 hp (260 W)
Velocidad del motor del cepillo/portafieltro	120 rpm
Potencia total absorbida	42 A (0.5 kW)
Dimensiones compartimiento batería	17.8x6.9x9.4 in (350x175x240 mm)
Tensión batería	12 V
Batería estándar	12V 84AhC5 AGM
Cargador de baterías	100-240 VAC
Autonomía de trabajo (batería estándar)	2 hora
Peso sin batería y con los depósitos vacíos	95 lb (43 kg)
Peso máximo en orden de marcha (GVW)	176 lb (80 kg)
Peso de envío	172 lb (78 kg)

Composición de material de la máquina y reciclabilidad

Tipo	% reciclable	% de peso de la SC351
Aluminio	100%	18%
Motores eléctricos - misc.	29%	9%
Materiales ferrosos	100%	20%
Cableados	80%	9%
Líquidos	100%	0%
Plástico - no reciclable	0%	11%
Plástico - reciclable	100%	18%
Poliétileno	92%	9%
Caucho	20%	7%

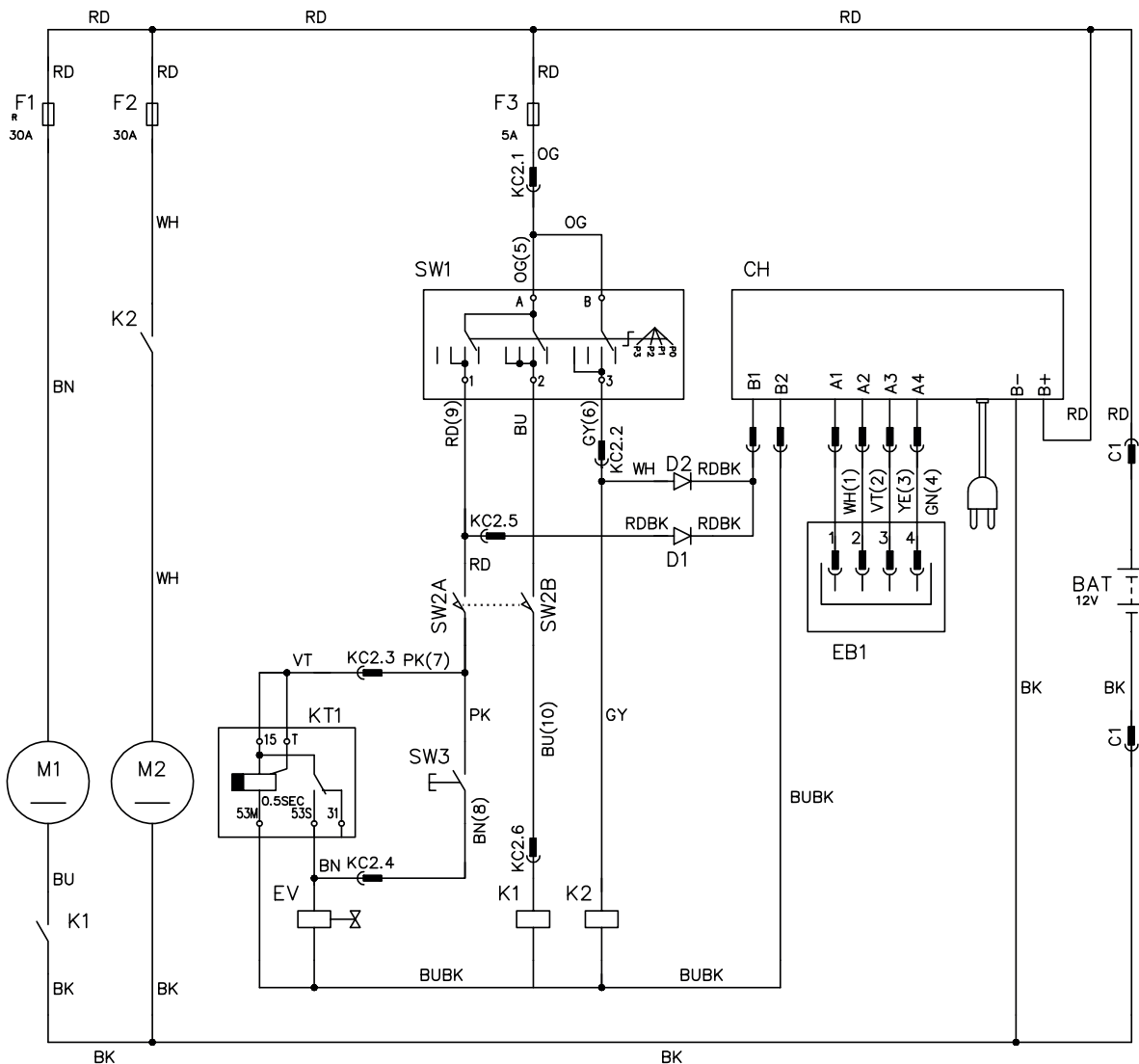
ESQUEMA ELÉCTRICO

Leyenda

BAT	Batería 12 V
CH	Cargador de baterías
D1	Diodo
D2	Diodo
EB1	Tarjeta electrónica LED
EV	Electroválvula detergente
F1	Fusible reseteable del motor del cepillo (35 A)
F2	Fusible del motor del sistema de aspiración (30 A)
F3	Fusible selector funciones (5 A)
K1	Relé del motor del cepillo
K2	Relé del motor del sistema de aspiración
KT1	Temporizador electroválvula
M1	Motor del cepillo
M2	Motor sistema de aspiración
SW1	Selector funciones
SW2	Interruptor de asenso motor cepillo-electroválvula
SW3	Interruptor caudal detergente

Códigos color

BK	Negro
BU	Azul
BN	Marrón
GN	Verde
GY	Gris
OG	Anaranjado
PK	Rosado
RD	Rojo
VT	Morado
WH	Blanco
YE	Amarillo



P100406

USO



¡ATENCIÓN!

En unas partes de la máquina hay unas placas adhesivas que indican:

- PELIGRO
- ATENCIÓN
- ADVERTENCIA
- CONSULTAS

Leyendo este Manual, el operador tiene que aprender el sentido de los símbolos indicados en las placas (véase el párrafo Símbolos visibles en la máquina).

Por ninguna razón estas placas deben cubrirse y si están dañadas tienen que sustituirse de inmediato.

CONTROL/PREPARACIÓN DE LA BATERÍA EN LA MÁQUINA NUEVA

La máquina se suministra con una batería GEL/AGM de 12 V ya instaladas en la máquina.

1. Abrir la tapa (4) y controlar que la batería esté conectada a la máquina con el conector (7).
2. Girar la perilla de selección de funciones (31) en el programa (32). Si el LED verde (37) se enciende, la batería puede utilizarse.
3. Si se enciende el LED amarillo o rojo es necesario cargar la batería (véase el procedimiento en el capítulo Mantenimiento).

ANTES DE LA PUESTA EN MARCHA DE LA MÁQUINA

Instalación/remoción del cepillo/portafiltro



NOTA

Según el tipo de suelo, es posible instalar el cepillo (A, Fig. 1) o el portafiltro (B y C).

1. Levantar ligeramente el cabezal portacepillos de la máquina y colocar el cepillo bajo del cabezal.
2. Girar la perilla de selección de funciones (31) en el programa (32).
3. Pulsar por unos segundos el pulsador de asenso (38) junto a las palancas de accionamiento del cepillo (39) para enganchar el cepillo/portafiltro.

Quitar el cepillo/portafiltro del cabezal, mediante el procedimiento siguiente:

4. Controlar que la perilla de selección de funciones (31) esté en posición "0".
5. Levantar ligeramente el cabezal de la máquina, luego desenganchar el cepillo/portafiltro del cubo con las manos, haciéndolo girar de golpe en el sentido de rotación (D).

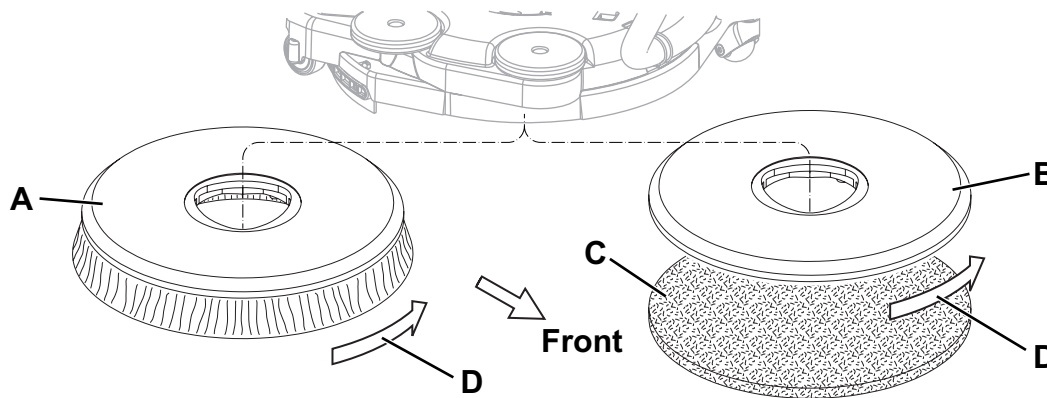


Figura 1

P100407

Tipos de cepillos disponibles y guía para su aplicación (sólo sugerencias)

	Modelos	MIDLITE GRIT 180	MIDGRIT 240	PROLITE	UNION MIX
Limpieza general	Hormigón				
	Suelo terraza				
	Baldosas de cerámica/de cantera				
	Mármol				
	Baldosas de vinilo				
	Baldosas de caucho				
Lustrado	Baldosas de caucho				
	Mármol				
	Baldosas de vinilo				

Llenado del depósito de la solución detergente

6. Abrir el tapón (21) y rellenar el depósito (22) con una solución detergente adecuada. No llenar completamente el depósito de la solución detergente, dejar unos centímetros del borde. Seguir las instrucciones indicadas en la etiqueta para la dilución del producto químico usado para componer la solución detergente. La temperatura de la solución detergente no debe superar 104 °F (40 °C).

**¡ADVERTENCIA!**

Usar exclusivamente detergentes líquidos poco espumosos y no inflamables, que sean adecuados para este tipo de máquina.

**¡ATENCIÓN!**




Cuando se usan detergentes, seguir las instrucciones y advertencias indicadas en las etiquetas de los frascos. Cuando se usan detergentes, usar guantes y protecciones adecuadas.

Ajustes

7. Pulsar la palanca (40) y ajustar la posición del manillar (2) en función de la propia comodidad.

PUESTA EN MARCHA Y PARADA DE LA MÁQUINA**Puesta en marcha de la máquina**

- Preparar la máquina como indicado en el párrafo precedente.
- Girar la perilla de selección de funciones (31) para poner en marcha la máquina y seleccionar uno de los programas como indicado en la tabla:

Posición	Símbolo	Programa
(32)		Lavado y secamiento. Accionamiento cepillo - Accionamiento sistema de aspiración - Apertura flujo solución detergente
(33)		Lavado. Accionamiento cepillo - Apertura flujo solución detergente
(34)		Secamiento. Accionamiento cepillo - Accionamiento sistema de aspiración

- Colocar el interruptor del flujo de la solución detergente (36) en una de las siguientes posiciones, según el tipo de lavado de efectuar:
 - Una gota: para lavar/limpiar suelos poco sucios; en esta condición la máquina puede trabajar con una autonomía de lavado de 50 minutos (0,25 litros/min en término medio).
 - Dos gotas: para lavar/limpiar suelos medianamente o muy sucios; en esta condición, la máquina trabaja con una autonomía de aproximadamente 25 minutos (0,5 litros/min en término medio).
- Teniendo las manos sobre el manillar (2), poner en marcha la máquina pulsando el pulsador de asenso (38) junto a las palancas de accionamiento del cepillo (39).

**NOTA**

Si el LED verde (37) se enciende, la batería está cargada y puede utilizarse. Si se enciende el LED amarillo o rojo es necesario cargar la batería (véase el procedimiento en el capítulo Mantenimiento).

Parada de la máquina

- Soltar las palancas de accionamiento cepillo (39) y el pulsador de asenso (38).
- Girar la perilla de selección de funciones (31) en "0" para apagar la máquina.

**¡ADVERTENCIA!**

En caso de necesidad inmediata, para parar la máquina y todas sus funciones, desconectar el conector de la batería (7).

Volver a reactivar todas las funciones, reconectando el conector.

MÁQUINA EN FUNCIÓN (LAVADO/SECAMIENTO)

1. Poner en marcha la máquina como indicado en el párrafo anterior.
2. Teniendo ambas las manos sobre el manillar (2), maniobrar la máquina y empezar el trabajo de lavado/secamiento del suelo.
3. Si necesario, cambiar la cantidad de la solución detergente mediante el interruptor (36).
4. Cuando necesario, para usar la boquilla en la dirección opuesta, presionar sobre el manillar (2) y levantar ligeramente el cabezal mientras el cepillo gira. Cuando el cabezal se gira de 180° empezar a lavar/secar tirando la máquina. Para volver a la normal dirección, maniobrar la máquina empujándola hacia adelante hasta que el cabezal portacepillos (12) vuelva a la posición original.

**¡ATENCIÓN!**

Tener mucho cuidado cuando se levanta el cabezal con el cepillo en rotación: el cabezal girará de 180° de repente: tener cuidado con las partes móviles, no golpear y/o dañar objetos, muros o personas.

**¡ADVERTENCIA!**

Para evitar que el suelo se dañe, no utilizar el cepillo en seco y cuando la máquina se queda parada en un punto, parar la rotación del cepillo/filtro mediante las palancas (39).

**¡ADVERTENCIA!**

Antes de levantar el cepillo/filtro, parar su rotación soltando las palancas (39).

**NOTA**

Para un correcto lavado/secamiento de los suelos en los bordes de las paredes, Avance sugiere acercarse con el lado derecho de la máquina como indicado en la figura 2.

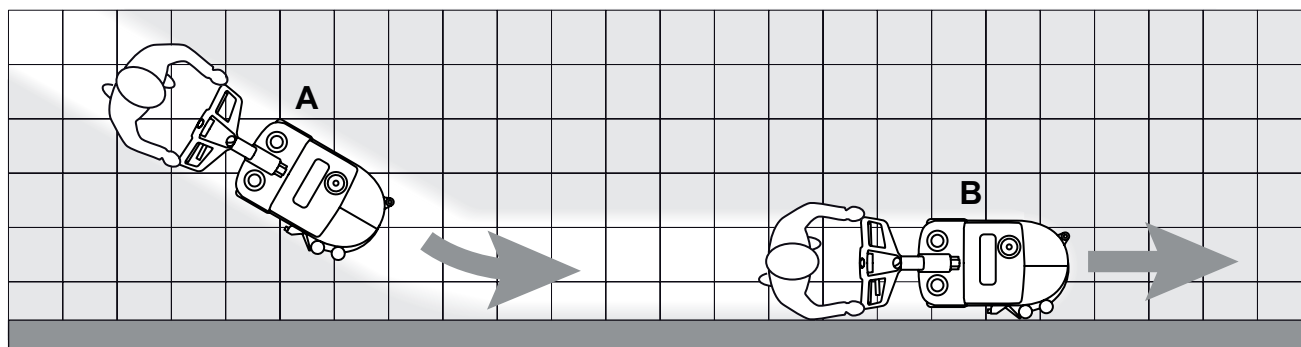


Figura 2

P1004108

Ajuste de la velocidad de marcha de la máquina

5. La velocidad de marcha de la máquina cambia según el tipo de suelo y según la utilización del cepillo o del filtro. Si necesario, es posible ajustar la velocidad de marcha mediante el procedimiento indicado en el capítulo Mantenimiento.

Descarga de las baterías durante el trabajo

6. Hasta que el LED verde (37) se queda encendido, las baterías permiten el funcionamiento normal de la máquina. Cuando el LED verde se apaga y se encienden en secuencia el LED amarillo o rojo, es necesario cargar la batería, porque la autonomía residual de funcionamiento de la máquina es mínima.

**¡ADVERTENCIA!**

Si se insiste en usar la máquina con la batería descargada, la batería se puede dañar y su vida útil se acorta.

TRANSPORTE/ESTACIONAMIENTO DE LA MÁQUINA

Para el transporte/estacionamiento de la máquina, efectuar los procedimientos siguientes.

1. Controlar que la perilla de selección de funciones (31) esté en posición "0".
2. Empuñar el manillar (2) y levantar ligeramente el cabezal portacepillos de la máquina. Manteniendo la máquina en esta condición, empujarla en un lugar adecuado.
3. Después del trabajo se aconseja quitar el cepillo/filtro para que no arrastren en el suelo bañándolo.

VACIADO DE LOS DEPÓSITOS

Un sistema de cierre automático de flotador (25) bloquea el sistema de aspiración cuando el depósito del agua de recuperación (23) está lleno.

El bloqueo del sistema de aspiración está indicado por un aumento de los ruidos del motor del sistema de aspiración, además el suelo no se seca.



¡ADVERTENCIA!

Si el sistema de aspiración se apaga de forma accidental (por ejemplo por la intervención prematura del flotador durante un desplazamiento imprevisto de la máquina), para reactivarlo apagar la máquina llevando la perilla de selección de funciones (31) en "0", asegurarse de que el flotador al interior de la rejilla (25) haya bajado hasta el nivel del agua; por último reactivar el sistema de aspiración girando la perilla de selección de funciones (31).

Cuando el depósito del agua de recuperación (23) está lleno, vaciarlo según el procedimiento siguiente.

Vaciado del depósito del agua de recuperación

1. Controlar que la perilla de selección de funciones (31) esté en posición "0".
2. Llevar la máquina en el área de eliminación designada.
3. Quitar la tapa transparente (24).
4. Grabar la manija (A, Fig. 3) y levantar el depósito del agua de recuperación (B).
5. Vaciar el depósito del agua de recuperación. Al final del trabajo, enjuagar el depósito con agua limpia.
6. Volver a colocar el depósito en su alojamiento en el bastidor y la tapa transparente.

Vaciado del depósito de la solución detergente

7. Llevar a cabo los pasos de 1 a 3.
8. Grabar la manija (C, Fig. 3) y levantar el depósito de la solución detergente (D).
9. Abrir el tapón (E) y vaciar el depósito de la solución detergente. Al final del trabajo, enjuagar el depósito con agua limpia.
10. Volver a colocar el depósito en su alojamiento en el bastidor y la tapa transparente.

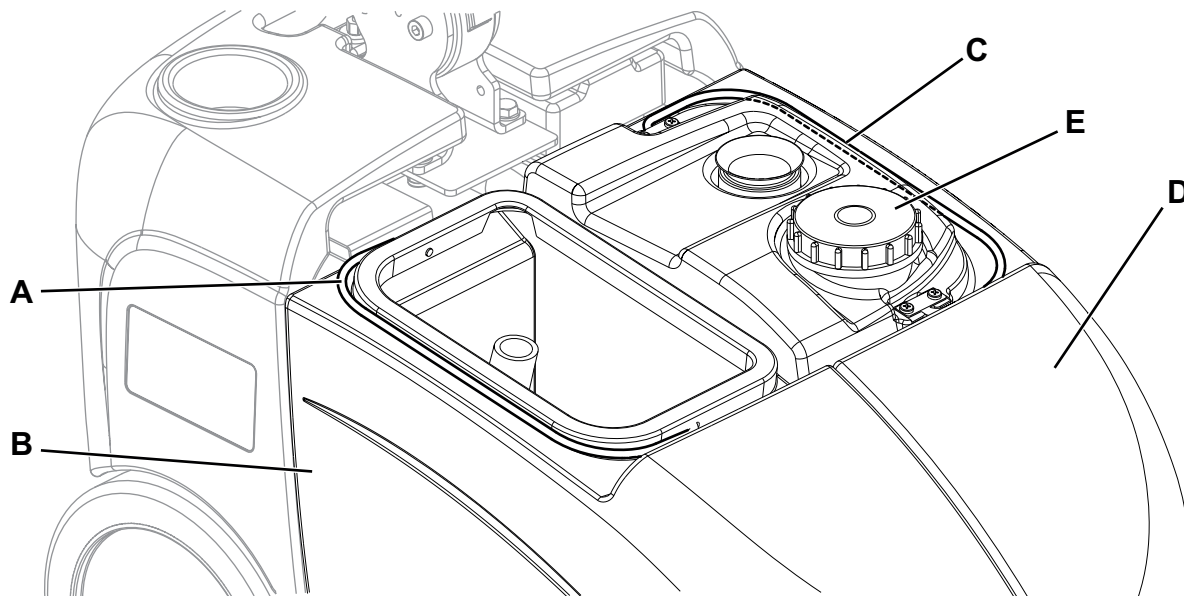


Figura 3

P100409

DESPUÉS DEL USO DE LA MÁQUINA

Cuando el trabajo está acabado, antes de alejarse de la máquina:

1. Vaciar los depósitos (23 y 22) como indicado en el párrafo anterior.
2. Efectuar las operaciones de mantenimiento necesarias después del uso de la máquina (véase el capítulo Mantenimiento).
3. Tener la máquina en un lugar seco y limpio, con el cepillo/portafiltro y los cauchos de la boquilla levantados o desmontados.

PERIODO DE LARGA INACTIVIDAD DE LA MÁQUINA

Si se piensa que la máquina no va a ser usada durante 30 días o más, seguir las indicaciones siguientes:

1. Llevar a cabo los procedimientos indicados en el párrafo anterior.
2. Abrir la tapa (4) y desconectar el conector de la batería (7).
3. Almacenar la máquina en un lugar limpio y seco.
4. Para proteger el cepillo y los cauchos de la boquilla doblar el manillar (2) adelante y aparcar la máquina como indicado en la figura 4.

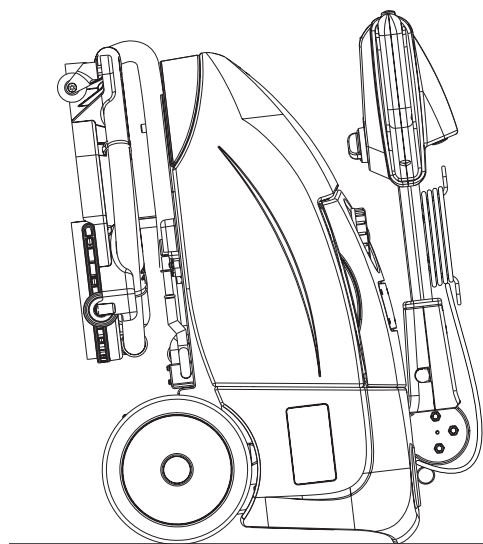


Figura 4

P100410

MANTENIMIENTO

Un mantenimiento cuidadoso y continuo garantiza la vida útil y la seguridad de funcionamiento de la máquina. El esquema siguiente resume el mantenimiento programado. Los periodos indicados pueden variar según las condiciones de trabajos, que el encargado del mantenimiento debe establecer.



¡ATENCIÓN!

Las operaciones de mantenimiento deben efectuarse con la máquina apagada, la batería desconectada y el cable del cargador de baterías desconectado.

Además, leer cuidadosamente todas las instrucciones del capítulo Seguridad.

Todas las operaciones de mantenimiento programado o extraordinario deben ser efectuadas por el personal calificado o por un Centro de asistencia autorizado. En este manual se detallan sólo los procedimientos de mantenimiento más sencillos y frecuentes.



NOTA

Para las otras operaciones de mantenimiento indicadas en el esquema de mantenimiento programado, véase el Manual de asistencia disponible en los Centros de asistencia.

ESQUEMA DE MANTENIMIENTO PROGRAMADO

Operación	Diaria, después del uso de la máquina	Semanaria	Semestral	Anual
Carga de la batería				
Limpieza de la boquilla				
Limpieza del cepillo				
Limpieza de los depósitos y de la rejilla de aspiración				
Control y/o sustitución de los cauchos de la boquilla				
Control y limpieza de la válvula de la solución detergente			(1)	
Control y/o sustitución de los embragues de rotación del cabezal portacepillos				(1)

(1) Por el procedimiento relacionado, véase el Manual de asistencia.

INSTALACIÓN/SUSTITUCIÓN DE LA BATERÍA



¡ATENCIÓN!

Si no se instala y conecta correctamente la batería, los componentes eléctricos de la máquina podrían dañarse. Sólo el personal calificado puede efectuar la instalación de la batería. Antes de la instalación de la batería, controlar que no esté dañada.

Desconectar el conector de la batería o el enchufe del cargador de baterías.

Desplazar la batería con mucho cuidado.

Instalar las tapas de protección de los terminales de la batería, en dotación a la máquina.



¡PELIGRO!

En esta masilla impermeable se deben instalar baterías de plomo selladas (tecnología GEL o AGM).

No usar, por ninguna razón, baterías con electrolito líquido o no selladas (WET).

1. Abrir la tapa (4) y desconectar el conector de la batería (7).
2. Desconectar los 2 bornes de los polos de la batería.
3. Desenganchar la correa y quitar la batería.
4. Instalar la nueva batería en la máquina y bloquearla con la correa apropiada.
5. Conectar los 2 bornes a los polos de la batería.



¡ATENCIÓN!

Tener cuidado cuando se conectan los polos de la batería. El cable de color rojo debe conectarse al polo positivo (+), el cable de color negro debe conectarse al polo negativo (-) de la batería.

Una conexión incorrecta puede dañar el cargador de baterías.

6. Fijar los 2 bornes a los polos de la batería.
7. Conectar el conector de la batería (7) y cerrar la tapa (3).
8. Antes de usar la máquina, cargar la batería.



¡ATENCIÓN!

La batería (GEL/AGM) instalada podría necesitar de un algoritmo de carga específico: acudir siempre a un centro Advance calificado para programar el algoritmo de carga más apropiado para la batería comprada.

CARGA DE LA BATERÍA



NOTA

Cargar las baterías cuando se enciende el LED amarillo o rojo o al final de cada trabajo.

Si se mantienen la batería cargada, su durabilidad aumenta.



¡ADVERTENCIA!

No dejar la batería descargada durante mucho tiempo, porque su durabilidad podría reducirse.

Controlar la carga de la batería por lo menos una vez por semana.

1. Llevar la máquina sobre un suelo llano.
2. Controlar que la perilla de selección de funciones (31) esté en posición "0".
3. Conectar el cable (10) del cargador de baterías a la red eléctrica [la tensión y la frecuencia de la red deben ser compatibles con los valores del cargador de baterías, indicados en la placa (1) de la máquina].



NOTA

Cuando el cargador de baterías está conectado a la red eléctrica, todas las funciones de la máquina se paran automáticamente.

Si el LED rojo y amarillo (37) están encendidos indican que el cargador está cargando las baterías.

4. Cuando el LED verde (37) se queda encendido, el ciclo de carga de la batería está acabado.
5. Una vez efectuada la carga, desconectar el cable (10) del cargador de baterías de la red eléctrica y engancharlo a su alojamiento (11).
6. La máquina está lista para el uso.



NOTA

Para informaciones suplementarias sobre el cargador de baterías (9) consultar el manual relacionado.

AJUSTE DEL AVANCE DE LA MÁQUINA**NOTA**

Según el tipo de suelo, o según la utilización del cepillo o del fieltro, la velocidad de marcha o el avance de la máquina pueden variar.

Si necesario, efectuar los ajustes relacionados como indicado.

1. Quitar el depósito del agua de recuperación y el depósito del detergente.
2. Ajustar la velocidad de avance de la máquina mediante la empuñadura (A, Fig. 5):
 - Girar la empuñadura en sentido antihorario para aumentar la velocidad de avance de la máquina.
 - Girar la empuñadura en sentido horario para disminuir la velocidad de avance de la máquina.
3. En caso de que la máquina desvíe de la dirección rectilínea de avance, se puede usar la empuñadura (B) en sentido horario o antihorario para corregir la desviación y obtener un comportamiento neutral.
4. Una vez efectuado el ajuste, instalar los depósitos como indicado en el capítulo Uso.
5. Antes de empezar el trabajo, controlar la máquina y, si es necesario efectuar otros ajustes, repetir los pasos de 1 a 4.

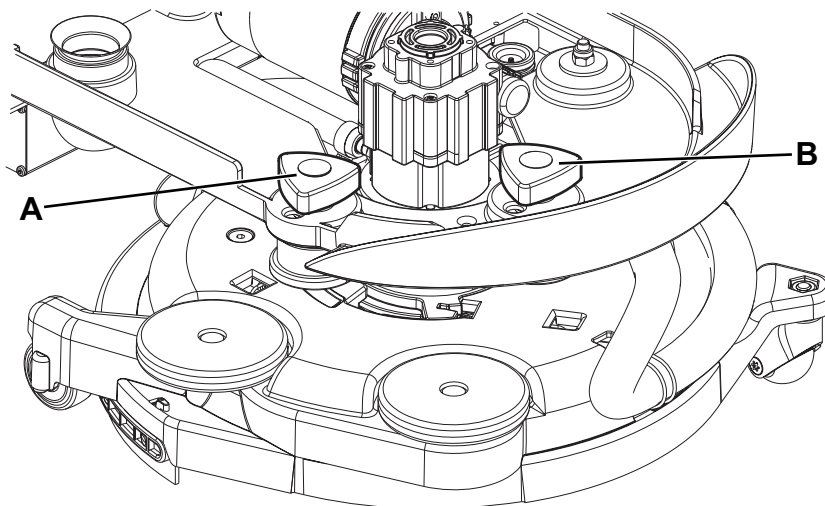


Figura 5

P100413

LIMPIEZA DE LA BOQUILLA



NOTA

Para un buen secamiento, la boquilla debe estar limpia y con los cauchos en buenas condiciones.



¡ATENCIÓN!

Durante estas operaciones se aconseja usar guantes de trabajo, porque residuos cortantes podrían estar en la boquilla.

1. Llevar la máquina sobre un suelo llano.
2. Controlar que la perilla de selección de funciones (31) estén en posición "0" y desconectar el conector de la batería (7).
3. Girar el cabezal portacepillo/portafiltro (12) en sentido antihorario hasta el tope de carrera.
4. Desconectar el tubo de aspiración (A, Fig. 6) de la boquilla.
5. Desenganchar la boquilla (B) del cabezal.
6. Lavar y limpiar la boquilla. Limpiar especialmente los huecos (C) y el orificio de aspiración (D).
7. Controlar que los cauchos delantero (E) y trasero (F) estén en buenas condiciones, que no sean cortados o desgarrados; de lo contrario, sustituirlos (véase el procedimiento en el párrafo siguiente).
8. Montar los componentes en el orden contrario a él del desmontaje.

CONTROL Y SUSTITUCIÓN DE LOS CAUCHOS DE LA BOQUILLA

1. Limpiar la boquilla como indicado en el párrafo anterior.
2. Controlar que los cauchos delantero (E, Fig. 6) y trasero (F) estén en buenas condiciones, que no estén cortados o desgarrados; de lo contrario, sustituirlos. Controlar también que el borde delantero (G) del caucho trasero no esté desgastado; de lo contrario volcar el caucho mismo, llevando en su posición uno de los otros bordes no desgastado. Si todos los bordes están desgastados, sustituir el caucho, mediante el procedimiento siguiente:
 - Quitar la cinta elástica de fijación (H) desenganchándola de los retenes (I).
 - Sustituir (o volcar) el caucho trasero (F), luego desmontar la cinta elástica de fijación.
 - Quitar la cinta de fijación (j) desenganchándola de los retenes (K).
 - Sustituir (o volcar) el caucho delantero (E), luego desmontar la cinta de fijación.
3. Instalar la boquilla (B) colocando con cuidado los ganchos (L) y el orificio de aspiración (M) en los alojamientos del cabezal portacepillos.
4. Conectar el tubo de aspiración (A) a la boquilla.

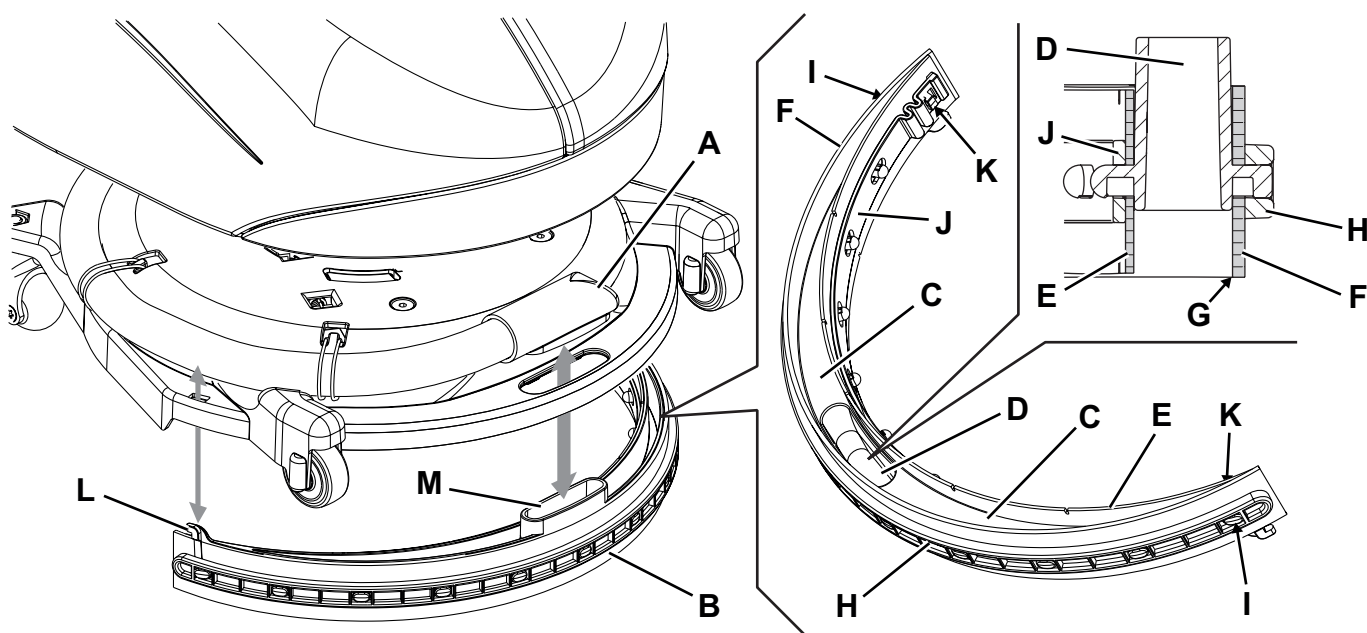


Figura 6

P100411

LIMPIEZA DEL CEPILLO



NOTA

Durante estas operaciones se aconseja utilizar guantes de trabajo, porque residuos cortantes podrían estar en el cepillo.

1. Quitar el cepillo de la máquina como indicado en el capítulo Uso.
2. Limpiar el cepillo con agua y detergente.
3. Controlar que las cerdas del cepillo no estén dañadas o excesivamente desgastadas; de lo contrario, sustituir el cepillo.

LIMPIEZA DE LOS DEPÓSITOS, DE LA TAPA Y DE LA REJILLA DE ASPIRACIÓN

1. Llevar la máquina en el área de eliminación designada.
2. Controlar que la perilla de selección de funciones (31) estén en posición "0" y desconectar el conector de la batería (7).
3. Levantar la tapa (A, Fig. 7), luego lavar con agua limpia la tapa y la rejilla de aspiración (B).
4. Descargar el agua de los depósitos (C y D) y limpiarlos.
5. Si necesario, desmontar la rejilla (B) girándola y quitar el flotador (E), luego limpiar con cuidado y reinstalar.
6. Controlar la integridad de la guarnición (F) de la tapa del depósito del agua de recuperación.



NOTA

La guarnición (F) causa la formación de vacío en el depósito, necesario para la aspiración del agua de recuperación.

Si necesario, sustituir la guarnición (F), quitándola de su alojamiento (G) en la tapa. Cuando se instala la nueva guarnición, posicionar la unión (H) en el área indicada en la figura.

7. Controlar que toda la superficie perimetral de apoyo (I) de la guarnición (F) no esté dañada y que sea adecuada para la estanqueidad de la guarnición misma.
8. Controlar el conducto de aspiración (J) y la guarnición (K), limpiar con cuidado si necesario.
9. Volver a instalar la tapa del depósito del agua de recuperación (A).

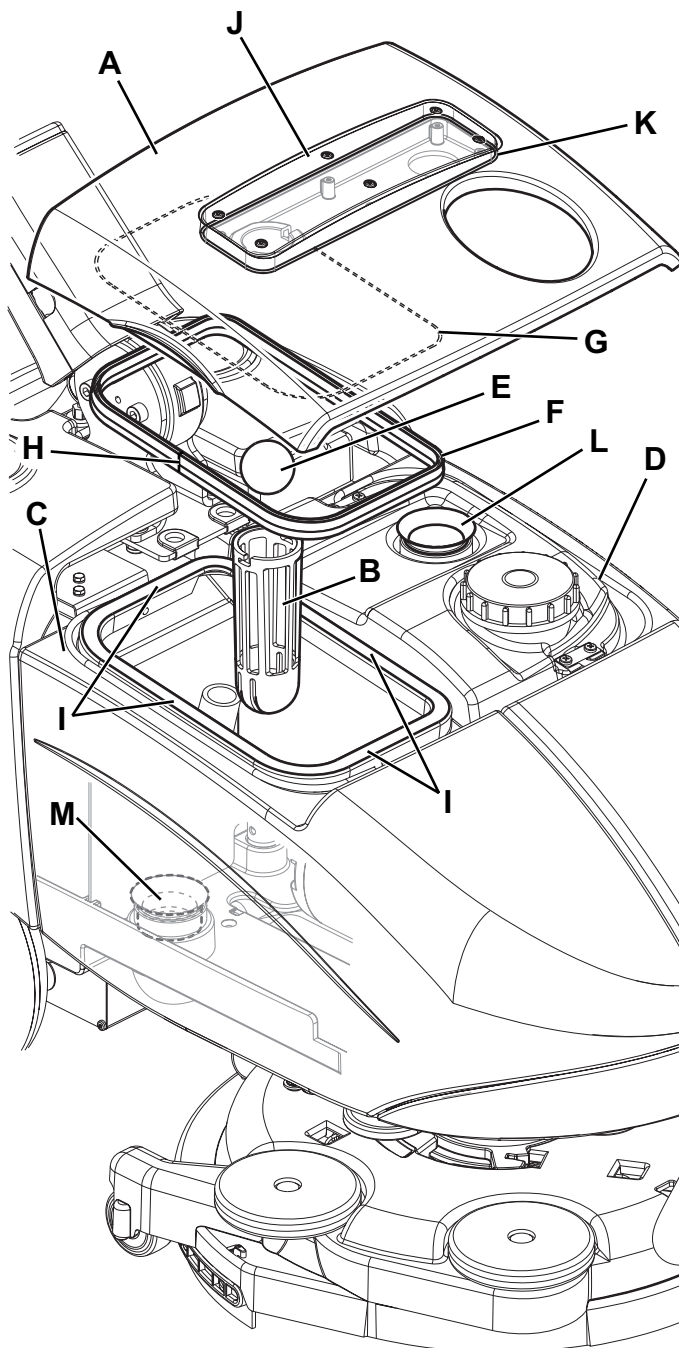


Figura 7

P100412

LIMPIEZA DE LAS GUARNICIONES DEL SISTEMA DE ASPIRACIÓN



NOTA

La guarnición (L) y (M) causa la formación de vacío en el sistema, necesario para la aspiración del agua de recuperación.

1. Llevar la máquina sobre un suelo llano.
2. Controlar que la perilla de selección de funciones (31) estén en posición "0" y desconectar el conector de la batería (7).
3. Abrir la tapa (A, Fig. 7) y controlar la integridad de la guarnición (L) del motor del sistema de aspiración. Si necesario, sustituir la guarnición quitándola de su alojamiento.
4. Quitar el depósito del agua de recuperación (C).
5. Controlar la integridad de la guarnición (M) del conducto del agua de recuperación. Si necesario sustituir la guarnición.
6. Limpiar con cuidado y reinstalar.

CONTROL/SUSTITUCIÓN/RESTABLECIMIENTO DE LOS FUSIBLES

- Llevar la máquina sobre un suelo llano.
- Controlar que la perilla de selección de funciones (31) estén en posición "0" y desconectar el conector de la batería (7).
- Abrir la tapa (4) y controlar si los siguientes fusibles están desactivados o dañados (Fig. 8):
 - (A): fusible reseteable F1 (35 A), motor cepillo.
 - (B): fusible de lama F2 (30 A), motor del sistema de aspiración.
 - (C): fusible de lama F3 (5 A), accesorios auxiliares.
 Resetear o sustituir el fusible, tras haber controlado e eliminado el problema que ha causado la interrupción.
- Cerrar la tapa (4).

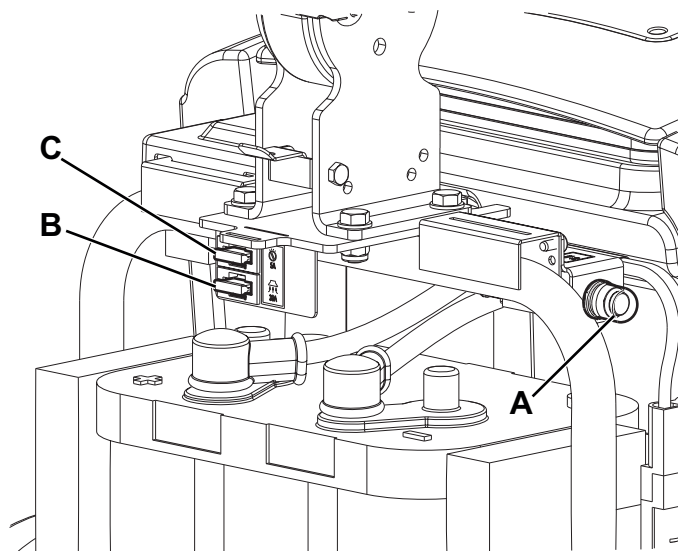


Figura 8

P100414

BÚSQUEDA AVERÍAS

Problema	Probable causa	Remedio
Los motores no se ponen en marcha; ningún LED encendido.	El conector de la batería está desconectado.	Conectarlo.
	La batería está completamente descargada.	Cargarla.
	El fusible F3 está abierto.	Sustituirlo.
El motor del cepillo no funciona.	El fusible F1 está activado.	Resetear el fusible.
El motor del sistema de aspiración no se pone en marcha.	El fusible F2 está abierto.	Sustituirlo.
La aspiración de agua sucia es insuficiente.	El depósito del agua de recuperación está lleno.	Vaciarlo.
	Rejilla de aspiración obstruida o flotador en cierre.	Limpiar la rejilla y controlar el flotador.
	El tubo de aspiración de la boquilla está desconectado o averiado.	Conectarlo o sustituirlo. (*)
	La boquilla está sucia o los cauchos de la boquilla están desgastados/dañados.	Limpiar la boquilla o sustituir los cauchos.
	La tapa del depósito del agua de recuperación no está correctamente cerrada, o las guarniciones están desgastadas.	Controlar y/o limpiar la superficie de apoyo o sustituir las guarniciones.
El flujo de la solución detergente es insuficiente.	El conducto del detergente está sucio/dañado.	Limpiar.
	La electroválvula está averiada.	Sustituirla. (*)
La boquilla causa estriados en el suelo.	Residuos bajo de los cauchos de la boquilla.	Quitar los residuos.
	Cauchos de la boquilla desgastados, astillados o desgarrados.	Sustituir los cauchos.

(*) Mantenimiento de competencia de un Centro de asistencia autorizado Advance.



NOTA

La máquina no puede funcionar sin el cargador de baterías.

Si el cargador de baterías está averiado, acudir a un Centro de asistencia autorizado.

Para informaciones suplementarias consultar el Manual de asistencia cerca de los Centros de asistencia Advance.

ELIMINACIÓN

Eliminar la máquina en un demoledor calificado.

Antes de eliminar la máquina es necesario quitar y separar los siguientes materiales y eliminarlos según las actuales normas de higiene ambiental:

- Batería
- Cepillos
- Tubos y componentes de plástico
- Componentes eléctricos y electrónicos (*)

(*) En particular, para la eliminación de componentes eléctricos y electrónicos, contactar con Advance.

ÍNDICE

INTRODUÇÃO	2
OBJECTIVO E CONTEÚDO DO MANUAL	2
DESTINATÁRIOS	2
CONSERVAÇÃO DO MANUAL	2
DADOS DE IDENTIFICAÇÃO	2
OUTROS MANUAIS DE REFERÊNCIA	2
PEÇAS DE SUBSTITUIÇÃO E MANUTENÇÃO	2
MODIFICAÇÕES E MELHORIAS	2
CAPACIDADE DE OPERAÇÃO	3
CONVENÇÕES	3
DESEMBALAGEM/ENTREGA	3
SEGURANÇA	3
SÍMBOLOS VISÍVEIS NA MÁQUINA	3
SÍMBOLOS UTILIZADOS NO MANUAL	4
INSTRUÇÕES GERAIS	4
DESCRIÇÃO DA MÁQUINA	6
ESTRUTURA DA MÁQUINA	6
GUIADOR COM PAINEL DE CONTROLO E COMANDOS	7
ACESSÓRIOS / OPCIONAIS	7
CARACTERÍSTICAS TÉCNICAS	8
DIAGRAMA ELÉCTRICO	9
UTILIZAÇÃO	10
CONTROLO/PREPARAÇÃO DAS BATERIAS NUMA MÁQUINA NOVA	10
ANTES DE COLOCAR A MÁQUINA EM FUNCIONAMENTO	10
ARRANQUE E PARAGEM DA MÁQUINA	11
MÁQUINA EM OPERAÇÃO (LAVAGEM/SECAGEM)	12
TRANSPORTE/ESTACIONAMENTO DA MÁQUINA	13
ESVAZIAMENTO DO RESERVATÓRIO	13
APÓS A UTILIZAÇÃO DA MÁQUINA	14
INACTIVIDADE PROLONGADA DA MÁQUINA	14
MANUTENÇÃO	14
PLANO DE MANUTENÇÃO PROGRAMADA	14
INSTALAÇÃO/SUBSTITUIÇÃO DA BATERIA	15
CARREGAMENTO DA BATERIA	15
REGULAÇÃO DO AVANÇO DA MÁQUINA	16
LIMPEZA DO LIMPADOR	17
CONTROLO E SUBSTITUIÇÃO DAS BORRACHAS DO LIMPADOR	17
LIMPEZA DA ESCOVA	18
LIMPEZA DOS RESERVATÓRIOS, DA TAMPA E DA GRELHA DE ASPIRAÇÃO	18
LIMPEZA DAS JUNTAS DO SISTEMA DE ASPIRAÇÃO	18
CONTROLO/SUBSTITUIÇÃO/REPOSIÇÃO DOS FUSÍVEIS	19
RESOLUÇÃO DE PROBLEMAS	19
FIM DE VIDA	20

INTRODUÇÃO



NOTA

Os números indicados entre parêntesis referem-se aos componentes ilustrados no capítulo Descrição da máquina.

OBJECTIVO E CONTEÚDO DO MANUAL

Este manual tem como objectivo fornecer ao operador todas as informações necessárias para poder utilizar a máquina da maneira mais adequada, autónoma e segura possível. O manual compreende informações inerentes à parte técnica, à segurança, ao funcionamento, à paragem da máquina, à manutenção, às peças de substituição e ao fim de vida.

Antes de efectuar qualquer operação na máquina, os operadores e os técnicos qualificados devem ler cuidadosamente as instruções contidas no presente manual. Em caso de dúvidas sobre a correcta interpretação das instruções, contacte a Advance para obter os esclarecimentos necessários.

DESTINATÁRIOS

O presente manual destina-se quer ao operador, quer aos técnicos qualificados de manutenção da máquina.

O operador não deve executar operações reservadas aos técnicos qualificados. Advance não se responsabiliza por danos resultantes do não cumprimento desta proibição.

CONSERVAÇÃO DO MANUAL

O Manual de Instruções de uso deve ser conservado próximo da máquina, dentro de seu estojo, protegido de líquidos e tudo o que possa comprometer o seu estado de legibilidade.

DADOS DE IDENTIFICAÇÃO

O número de série e o modelo da máquina estão indicados na placa (1).

A mesma placa indica também o ano de produção e o código do produto.

Estas informações são necessárias quando são encomendadas peças de substituição para a máquina. Utilize o espaço seguinte para anotar os dados de identificação da máquina.

Modelo da MÁQUINA
Código do PRODUTO
Número de série da MÁQUINA

OUTROS MANUAIS DE REFERÊNCIA

- Manual do carregador de bateria electrónico (deve ser considerado parte integrante do presente manual)
- Catálogo das peças de substituição (fornecido com a máquina)
- Manual de assistência (pode ser consultado apenas pelos técnicos qualificados nos Centros de Assistência Advance)

PEÇAS DE SUBSTITUIÇÃO E MANUTENÇÃO

Em caso de necessidade relativa à utilização, à manutenção e à reparação, consulte o pessoal qualificado ou directamente os Centros de assistência Advance. Utilize sempre peças de substituição e acessórios originais.

Para obter assistência e para encomendar peças de substituição e acessórios, contacte a Advance, especificando sempre o modelo, o código do produto e o número de série.

MODIFICAÇÕES E MELHORIAS

A Advance procura constantemente aperfeiçoar os produtos e reserva-se o direito de efectuar modificações e melhorias, quando necessário, sem a obrigação de modificar as máquinas vendidas anteriormente.

Fica estipulado que qualquer modificação e/ou acréscimo de acessórios deve ser explicitamente aprovada e realizada pela Advance.

CAPACIDADE DE OPERAÇÃO

A presente máquina de lavar e secar foi concebida e fabricada para a limpeza (lavagem e secagem) de pisos lisos e sólidos, em espaços públicos e industriais, em condições de comprovada segurança, por parte de um operador qualificado.

A máquina de lavar e secar não é adequada para a lavagem de tapetes ou carpetes.

CONVENÇÕES

Todas as referências para frente e para trás, dianteiro e traseiro, direito e esquerdo indicadas neste manual, devem ser entendidas como referindo-se ao operador na posição de condução com as mãos no guiador (2).

DESEMBALAGEM/ENTREGA

Para desembalar a máquina, siga atentamente as instruções indicadas na própria embalagem.

Quando a máquina for entregue, verifique cuidadosamente se a embalagem e a máquina não tenham sofrido danos durante o transporte. Se notar qualquer dano, guarde a embalagem para que possa ser vista por parte do transportador responsável pela entrega. Contacte imediatamente a empresa de entregas para preencher um pedido de indemnização pelos danos.

Verifique que os seguintes componentes são fornecidos com a sua máquina:

- Documentação técnica:
 - Manual de Instruções de uso da máquina de lavar e secar
 - Manual do carregador de bateria electrónico
 - Catálogo das peças de substituição da máquina de lavar e secar
 - N.º 2 fusíveis lamelares



AVISO!

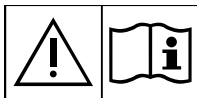
Os produtos vendidos com este Manual contêm produtos químicos que são considerados por alguns governos (como o Estado da Califórnia, conforme identificado na respectiva Proposta 65 de Lei de Advertência Regulamentar) como causadores de cancro, defeitos de nascença ou outros problemas reprodutivos. Em determinados locais (incluindo o Estado da Califórnia), os compradores destes produtos que os colocam em serviço num local de trabalho ou num espaço de acesso público devem, por lei, fazer determinados avisos, advertências ou divulgações no que diz respeito aos produtos químicos que existem ou possam existir nos Produtos em tais locais de trabalho. É da responsabilidade do comprador conhecer o conteúdo e respeitar qualquer lei e regulamento relativos à utilização destes Produtos em tais ambientes. O Fabricante rejeita qualquer responsabilidade de comunicação aos compradores de quaisquer requisitos específicos que possam ser aplicáveis à utilização dos Produtos em tais ambientes.

SEGURANÇA

São utilizados os seguintes símbolos para assinalar eventuais situações de perigo. Leia sempre estas informações com atenção e tome as devidas precauções para proteger as pessoas e os objectos.

A colaboração do operador é essencial para evitar acidentes. Nenhum programa de prevenção de acidentes pode ser eficaz sem a total colaboração da pessoa directamente responsável pelo funcionamento da máquina. A maioria dos acidentes, que podem ocorrer numa fábrica, no trabalho ou nas deslocações, resultam do incumprimento das mais elementares normas de segurança. Um operador atento e prudente é a melhor garantia contra os acidentes e indispensável para implementar qualquer programa de prevenção.

SÍMBOLOS VISÍVEIS NA MÁQUINA



ATENÇÃO!

Leia atentamente todas as instruções antes de executar qualquer operação na máquina.



ATENÇÃO!

Não lave a máquina com jactos de água directos ou sob pressão.



ATENÇÃO!

Não utilize a máquina em superfícies cujo gradiente seja superior àquele indicado.

SÍMBOLOS UTILIZADOS NO MANUAL**PERIGO!**

Indica um perigo com risco, até mortal, para o operador.

**ATENÇÃO!**

Indica um risco potencial de acidente para as pessoas ou de danos para os objectos.

**ADVERTÊNCIA!**

Indica uma advertência ou uma nota sobre funções chave ou sobre funções úteis. Preste a máxima atenção aos blocos de texto indicados com esse símbolo.

**NOTA**

Indica uma nota sobre funções chave ou sobre funções úteis.

**CONSULTA**

Indica a necessidade de consultar o Manual antes de executar qualquer operação.

INSTRUÇÕES GERAIS

Encontram-se descritas a seguir advertências e atenções específicas para indicar os potenciais perigos de danos à máquina e às pessoas.

**PERIGO!**

- *Antes de executar qualquer operação de limpeza da máquina, manutenção ou substituição de peças, rode o manípulo de selecção de funções para a posição "0" e desligue o conector da bateria.*
- *Esta máquina deve ser utilizada apenas por pessoas que tenham tido formação apropriada.*
- *Quando estiver a trabalhar próximo de componentes eléctricos, tire todas as jóias.*
- *Não trabalhe sob a máquina levantada, sem os suportes de elevação fixos de segurança adequados.*
- *Não opere com esta máquina em espaços onde estejam presentes poeiras, líquidos ou vapores nocivos, perigosos, inflamáveis e/ou explosivos: esta máquina não é adequada para recolher poeira perigosa.*
- *Manter faíscas, chamas e materiais incandescentes, afastados da bateria. Gases explosivos são expelidos durante o uso normal.*
- *O carregamento da bateria produz gás hidrogénio, altamente explosivo. Mantenha a tampa aberta durante todo o ciclo de carregamento da bateria e efectue a operação apenas em espaços bem ventilados e afastado de chamas livres.*

**ATENÇÃO!**

- *Antes de efectuar qualquer intervenção de manutenção/reparação, leia cuidadosamente todas as instruções relativas à manutenção/reparação.*
- *Antes de utilizar o carregador de bateria, certifique-se de que a frequência e a tensão indicadas na placa do número de série da máquina correspondem à tensão da rede.*
- *Não utilize o cabo do carregador de bateria para tirar ou transportar a máquina, nem o utilize como se fosse uma pega. Não deixe que o cabo do carregador de bateria seja preso numa porta, nem o puxe em superfície ou ângulos afiados. Não passe com a máquina por cima do cabo do carregador de bateria.*
- *Mantenha o cabo do carregador de baterias afastado de superfícies quentes.*
- *Não utilize a máquina se o cabo do carregador de bateria e a ficha estiverem danificados. Se a máquina não funcionar correctamente, estiver danificada, tiver ficado ao ar livre ou caído na água, leve-a para um centro de assistência.*
- *Para reduzir o risco de incêndio, choques eléctricos ou lesões, não deixe a máquina ligada à rede eléctrica sem vigilância. Antes de efectuar a manutenção, desligue o cabo do carregador de bateria da rede eléctrica.*
- *Não fume durante o carregamento da bateria.*
- *Proteja sempre a máquina do sol, chuva e outras intempéries seja em estado de funcionamento ou parada. Mantenha a máquina num lugar coberto, num ambiente seco: esta máquina deve ser utilizada só a seco e não deve ser utilizada ou conservada no exterior, em condição de humidade.*
- *Antes de utilizar a máquina, feche todas as portinholas e/ou tampas como descrito no Manual de Instruções de uso.*

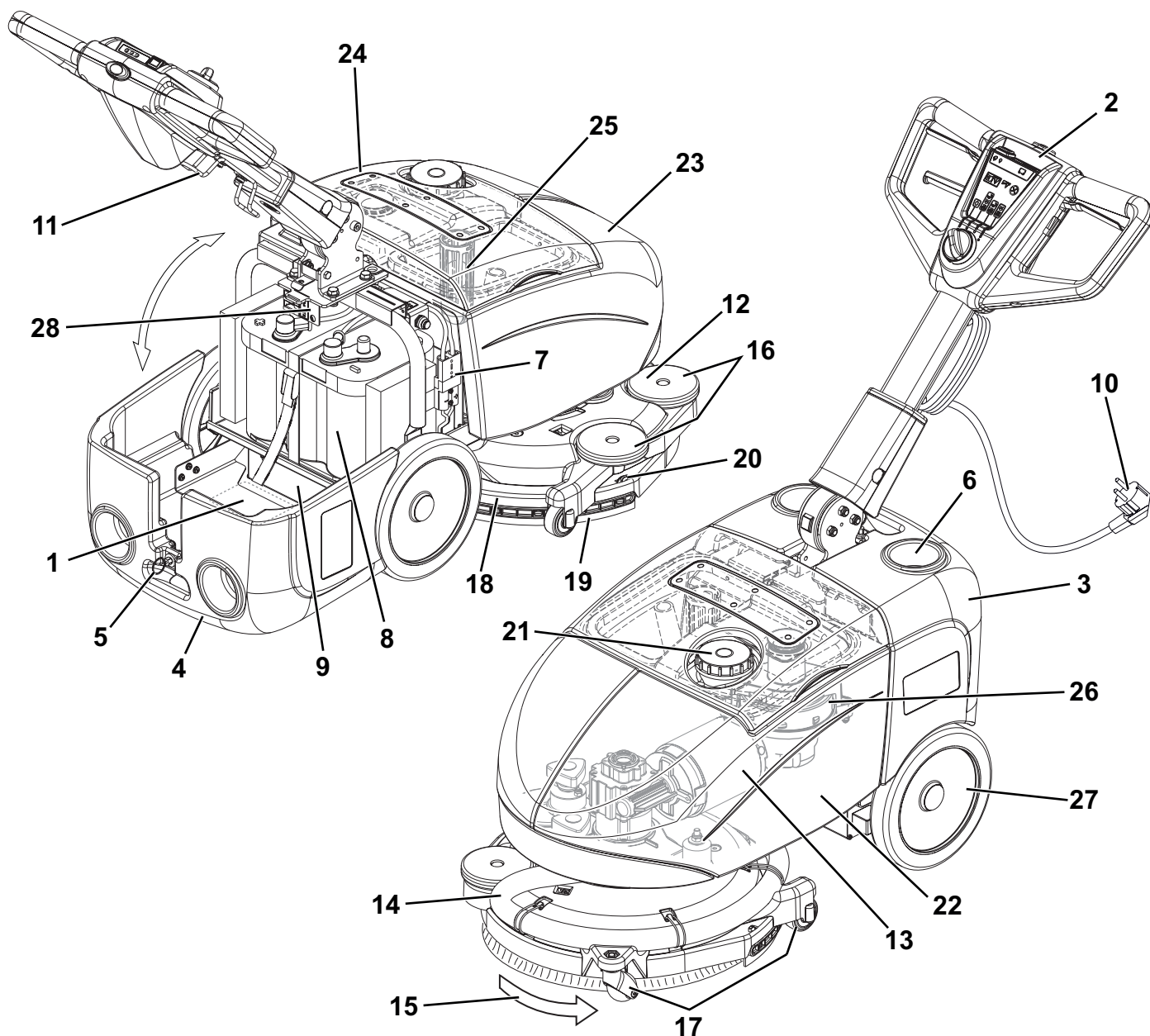
**ATENÇÃO!**

- *Esta máquina não é adequada para a utilização por parte de pessoas (incluindo crianças) com capacidades físicas, sensoriais ou mentais reduzidas, bem como com falta de experiência ou de conhecimento, salvo se forem supervisionadas ou formadas sobre a utilização da máquina por parte de uma pessoa responsável pela sua segurança.*
As crianças devem ser vigiadas para garantir que não brincam com a máquina.
- *Preste em particular atenção quando a utilizar com crianças por perto.*
- *Não utilize para fins diferentes dos que são indicados neste Manual. Utilize unicamente os acessórios recomendados pela Advance.*
- *Inspeccione atentamente a máquina e verifique sempre se montou todos os componentes, antes de a usar. A utilização da máquina não perfeitamente montada pode provocar lesões nas pessoas e nos danos nas ferramentas.*
- *Tome as devidas precauções de modo que cabelos, jóias, partes das roupas soltas não fiquem presas nas partes em movimento da máquina.*
- *Preste a máxima atenção às partes em movimento da máquina. Durante a utilização, a cabeça pode rodar repentinamente de 180°.*
- *Não utilize a máquina em superfícies inclinadas.*
- *Não incline a máquina a um ângulo superior à marca existente na máquina para não comprometer a estabilidade.*
- *Não utilize a máquina em espaços particularmente poeirentos.*
- *Utilize a máquina unicamente em áreas suficientemente iluminadas.*
- *Durante a utilização da máquina, preste atenção para garantir a segurança das outras pessoas e dos objectos.*
- *Não encoste a estantes ou andaimes, principalmente se existir o perigo de queda de objectos.*
- *Não pose recipientes com líquidos na máquina, utilize a base específica porta-copos e porta-latas.*
- *A temperatura de utilização da máquina deve estar compreendida entre +32°F e 104°F (0°C e +40°C).*
- *A temperatura de armazenamento deve estar compreendida entre +32°F e 104°F (0°C e +40°C).*
- *A humidade deve estar compreendida entre 30% e 95%.*
- *Durante a utilização de detergentes para a limpeza dos pavimentos, siga as instruções e as advertências indicadas nas etiquetas das garrafas.*
- *Antes de manusear detergentes para a limpeza dos pavimentos, vista luvas e protecções adequadas.*
- *Não utilize a máquina como meio de transporte.*
- *Evite que a escova trabalhe com a máquina parada para não provocar danos no piso.*
- *Em caso de incêndio, utilize, se for possível, um extintor de pó e não de água.*
- *Não viole, em nenhum caso, as protecções previstas para a máquina, respeite escrupulosamente as instruções previstas para a manutenção periódica.*
- *Não deixe nenhum objecto penetrar nas aberturas. Se as aberturas estiverem obstruídas, não utilize a máquina. Mantenha as aberturas da máquina livres de pó, fios, pêlos e qualquer outro corpo estranho que possa reduzir o fluxo de ar.*
- *Não remova, nem altere as placas colocadas na máquina.*
- *A presente máquina não é aprovada para a utilização em estradas ou vias públicas.*
- *Preste atenção durante o transporte da máquina em condições abaixo da temperatura de congelamento. A água presente no reservatório da água de recuperação ou nos tubos pode congelar e danificar gravemente a máquina.*
- *Utilize unicamente as escovas e os feltros fornecidos com a máquina ou os especificados no Manual de Instruções de uso. A utilização de outras escovas ou feltros pode pôr em causa a segurança.*
- *No caso de se verificarem anomalias no funcionamento da máquina, certifique-se de que não se devem à falta de manutenção periódica. Caso contrário, solicite a intervenção do pessoal autorizado ou do centro de assistência autorizado.*
- *Em caso de substituição de peças, solicite peças de substituição ORIGINAIS a um concessionário ou revendedor autorizado.*
- *Por motivos da segurança, e também do bom funcionamento, faça com que pessoal autorizado ou um centro de assistência autorizado execute a manutenção programada prevista no capítulo específico deste manual.*
- *Não lave a máquina com jactos de água directos ou sob pressão, nem com substâncias corrosivas.*
- *A máquina não deve ser abandonada, no fim de seu ciclo de vida, devido à presença, no seu interior, de materiais tóxicos nocivos (bateria, etc.), sujeitos a normas que prevêm a entrega junto de centros especiais (ver o capítulo Fim de vida).*

DESCRIÇÃO DA MÁQUINA

ESTRUTURA DA MÁQUINA

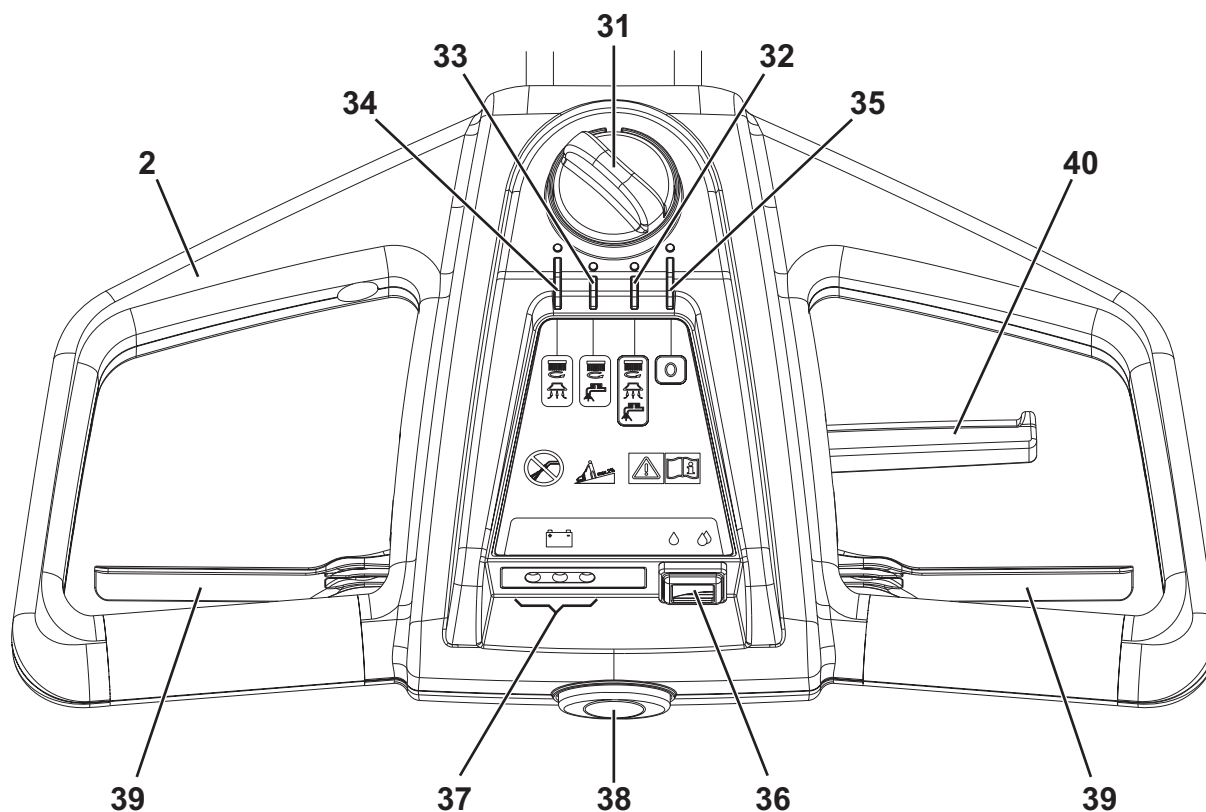
1. Placa do número de série/dados técnicos/marca de conformidade
2. Guiador com painel de controlo e comandos (ver parágrafo seguinte)
3. Tampa (fechada) do compartimento da bateria e equipamentos
4. Tampa (aberta) do compartimento da bateria e equipamentos
5. Fecho da tampa
6. Compartimento porta-objectos/latas
7. Conector de ligação da bateria. Este conector activa também a função de EMERGÊNCIA para a paragem imediata de todas as funções.
8. Bateria GEL/AGM
9. Carregador de baterias
10. Cabo de alimentação do carregador de baterias
11. Suporte do cabo do carregador de baterias
12. Cabeça porta-escova/porta-filtro
13. Moto redutor da cabeça da escova
14. Tubo de aspiração do limpador
15. Sentido de rotação da escova
16. Rolo pára-choques da cabeça
17. Rodas da cabeça porta-escova
18. Limpador
19. Grupo borrachas do limpador
20. Pinças de engate do limpador na cabeça
21. Tampa de enchimento do reservatório da solução detergente
22. Reservatório da solução de detergente
23. Reservatório da água de recuperação
24. Tampa transparente com grelha de aspiração
25. Grelha de aspiração com sistema de fecho automático com bóia
26. Motor do sistema de aspiração
27. Rodas traseiras em eixo fixo
28. Fusíveis



P100404

GUIADOR COM PAINEL DE CONTROLO E COMANDOS

- | | |
|--|---|
| <p>31. Manípulo de selecção de funções</p> <p>32. Programa de lavagem e secagem: accionamento escova - acendimento sistema de aspiração - abertura fluxo solução detergente</p> <p>33. Programa de lavagem: accionamento escova - abertura fluxo solução de detergente</p> <p>34. Programa de secagem: accionamento escova - acendimento sistema de aspiração</p> <p>35. Posição "0" de paragem da máquina</p> | <p>36. Interruptor do fluxo da solução detergente</p> <ul style="list-style-type: none"> • Uma gota - fluxo "ECO" da solução detergente • Duas gotas - fluxo máximo da solução detergente <p>37. Indicadores de led do estado de carga da bateria</p> <ul style="list-style-type: none"> • Led verde - bateria carregada • Led amarelo - bateria quase descarregada • Led vermelho - bateria descarregada <p>38. Botão de activação do accionamento da máquina</p> <p>39. Alavanca de accionamento da escova</p> <p>40. Alavanca de regulação da inclinação do guiador</p> |
|--|---|



P100405

ACESSÓRIOS / OPCIONAIS

Além dos componentes existentes na versão padrão, a máquina pode ser equipada com os seguintes acessórios/opcionais, com base na utilização específica da mesma:

- Escovas de disco de materiais diferentes em relação ao standard
- Feltros de materiais diferentes em relação ao equipamento padrão

Para mais informações relativas aos acessórios opcionais acima indicados, consulte o seu revendedor habitual.

CARACTERÍSTICAS TÉCNICAS

Descrição	SC351
Capacidade do reservatório da solução detergente	2,9 USgal (11 litros)
Capacidade do reservatório da água de recuperação	2,9 USgal (11 litros)
Comprimento mínimo/máximo da máquina em manobra	31.9 in / 50 in (810 mm / 1270 mm)
Largura da máquina	18.5 in (470 mm)
Altura mínima/máxima da máquina com guiador regulável	21.6 / 39.4 in (550 / 1000 mm)
Largura mínima para inversão de marcha	33.5 in (850 mm)
Largura de limpeza	14.5 in (370 mm)
Diâmetro das rodas em eixo fixo	8.4 in (214 mm)
Pressão da roda no pavimento	72.5 psi (0.5 N/mm ²)
Diâmetro da escova/feltro	14.5 in (370 mm)
Pressão da escova/feltro no pavimento	40 lb (18 Kg)
Pressão escova/feltro no pavimento com reservatório cheio	60 lb (27 Kg)
Fluxo de solução de detergente mín./máx.	Uma gota "ECO": 0.066 gpm (0.25 litros/min) Duas gotas: 0.13 gpm (0.5 litros/min)
Pressão sonora no ouvido do operador (ISO 11201, ISO 4871, EN 60335-2-72) (LpA)	65 dB(A) ± 3 dB(A)
Potência sonora emitida pela máquina (ISO 3744, ISO 4871, EN 60335-2-72) (LwA)	84 dB(A)
Nível das vibrações no braço do operador (ISO 5349-1, EN 60335-2-72)	< 98.4 in/s ² (< 2.5 m/s ²)
Inclinação máxima de utilização	2%
Grau de protecção IP	X4
Classe de protecção (eléctrica)	III
Potência do motor do sistema de aspiração	0.27 hp (200 W)
Aspiração	27.7 in/H ₂ O (710 mmH ₂ O)
Potência do motor da escova/porta-feltro	0.35 hp (260 W)
Velocidade do motor da escova/porta-feltro	120 rpm
Potência total absorvida	42 A (0.5 kW)
Dimensões do compartimento da bateria	17.8x6.9x9.4 in (350x175x240 mm)
Tensão bateria	12 V
Bateria padrão	12V 84AhC5 AGM
Carregador de baterias	100-240 VAC
Autonomia de trabalho (bateria standard)	2 hora
Peso sem bateria e com os reservatórios vazios	95 lb (43 kg)
Peso máximo admissível em andamento (GVW)	176 lb (80 kg)
Peso de expedição	172 lb (78 kg)

Composição dos materiais da máquina e nível de reciclagem

Tipo	% reciclável	% de peso da SC351
Alumínio	100%	18%
Motores eléctricos - div.	29%	9%
Materiais ferrosos	100%	20%
Cablagens	80%	9%
Líquidos	100%	0%
Plástico - não reciclável	0%	11%
Plástico - reciclável	100%	18%
Poliétileno	92%	9%
Borracha	20%	7%

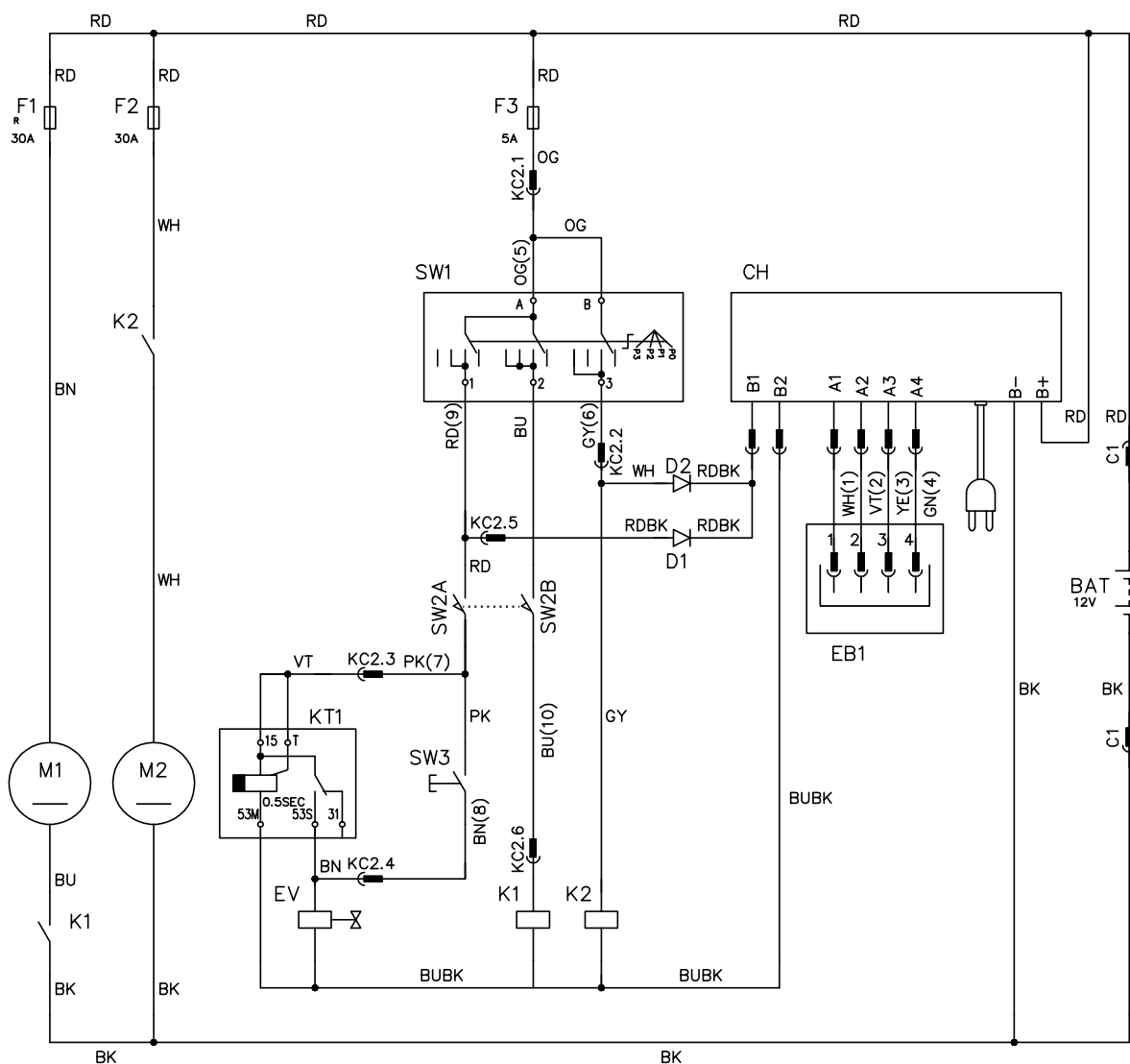
DIAGRAMA ELÉCTRICO

Legenda

BAT	Bateria 12 V
CH	Carregador de baterias
D1	Díodo
D2	Díodo
EB1	Placa LED
EV	Electroválvula detergente
F1	Disjuntor do motor da escova (35 A)
F2	Fusível do motor aspirador (30 A)
F3	Fusível selector das funções (5 A)
K1	Relé motor escova
K2	Relé do motor do aspirador
KT1	Temporizador da electroválvula
M1	Motor escova
M2	Motor do sistema de aspiração
SW1	Selectora de funções
SW2	Interruptor de activação do motor escova-electroválvula
SW3	Interruptor débito detergente

Código das cores

BK	Preto
BU	Azul-claro
BN	Castanho
GN	Verde
GY	Cinzentos
OG	Cor de laranja
PK	Rosa
RD	Vermelho
VT	Roxo
WH	Branco
YE	Amarelo



P100406

UTILIZAÇÃO



ATENÇÃO!

Em alguns pontos da máquina encontram-se aplicadas autocolantes que indicam:

- PERIGO
- ATENÇÃO
- ADVERTÊNCIA
- CONSULTA

Durante a leitura deste guia, o operador deve compreender perfeitamente o significado dos símbolos presentes nas placas (ver o parágrafo “Símbolos visíveis na máquina”).

Não cubra, em caso algum, os autocolantes e substitua-os imediatamente caso venham a ser danificados.

CONTROLO/PREPARAÇÃO DAS BATERIAS NUMA MÁQUINA NOVA

A máquina é fornecida com uma bateria GEL/AGM de 12 V montada na máquina e pronta para a utilização.

1. Abra a tampa (4) e verifique se a bateria está ligada à máquina com o conector (7).
2. Rode o manípulo de selecção de funções (31) para o programa (32). Se o led verde dos indicadores se acende (37), a bateria está pronta para utilização.
3. Se se acender o led amarelo ou o led vermelho, é necessário carregar a bateria (ver o procedimento no capítulo Manutenção).

ANTES DE COLOCAR A MÁQUINA EM FUNCIONAMENTO

Instalação/remoção da escova/porta-filtro



NOTA

Em função do pavimento a tratar, é possível instalar a escova (A, Fig. 1) ou o porta-filtro (B e C).

1. Levante ligeiramente a cabeça porta-escova da máquina e coloque a escova debaixo da cabeça.
2. Rode o manípulo de selecção de funções (31) para o programa (32).
3. Juntamente com o botão de activação (38), pressione durante alguns segundos as alavancas de accionamento da escova (39) para permitir o engate da escova/porta-filtro.

Remova a escova/porta-filtro da cabeça como indicado:

4. Certifique-se de que o manípulo de selecção de funções (31) se encontra na posição “0”.
5. Levante ligeiramente a cabeça do porta-escova da máquina, em seguida desengate manualmente a escova/porta-filtro do cubo, rodando para libertar no sentido de rotação (D).

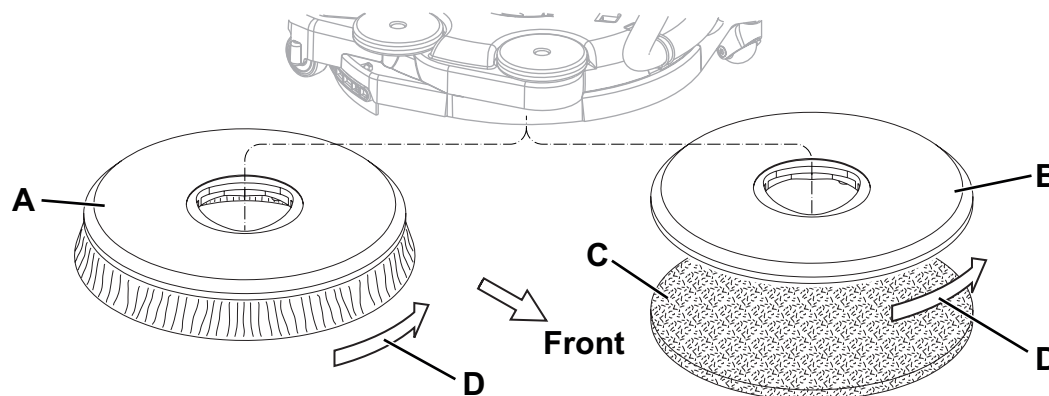


Figura 1

P100407

Tipos de escovas disponíveis e guia da sua aplicação (apenas sugestões)

	Modelos	MIDLITE GRIT 180	MIDGRIT 240	PROLITE	UNION MIX
Limpeza geral	Betão				
	Piso de terraço				
	Pavimento de azulejos/pedra				
	Mármore				
	Pavimento de vinil				
	Pavimento de borracha				
Polimento	Pavimento de borracha				
	Mármore				
	Pavimento de vinil				

Enchimento do reservatório da solução detergente

6. Através da tampa (21), encha o reservatório (22) com uma solução detergente adequada ao trabalho a executar. Não encha totalmente o reservatório da solução detergente, pare a alguns centímetros do bordo. Siga sempre às instruções de diluição indicadas na etiqueta da confecção do produto químico usado para compor a solução detergente. A temperatura da solução detergente não deve ultrapassar os 104 °F (40 °C).

**ADVERTÊNCIA!**

Utilizar exclusivamente detergentes líquidos que produzam pouca espuma e não inflamáveis, idóneos para os aparelhos em uso.

**ATENÇÃO!**

Durante a utilização de detergentes para a limpeza dos pavimentos, siga as instruções e as advertências indicadas nas etiquetas das garrafas.




Antes de manusear detergentes para a limpeza dos pavimentos, vista luvas e protecções adequadas.

Regulações

7. Prima a alavanca (40) e regule a posição do guiador (2) para o seu conforto.

ARRANQUE E PARAGEM DA MÁQUINA**Arranque da máquina**

1. Prepare a máquina como previsto no parágrafo anterior.
2. Rode o manípulo de selecção de funções (31) para ligar a máquina e seleccione um dos programas de acordo com a tabela:

Posição	Símbolo	Programa
(32)		Lavagem e secagem. Accionamento escova - Acendimento sistema de aspiração - Abertura fluxo solução detergente
(33)		Lavagem. Accionamento escova - Abertura fluxo solução de detergente
(34)		Secagem. Accionamento escova - Acendimento sistema de aspiração

3. Prima o interruptor do fluxo da solução de detergente (36) numa das duas posições possíveis, em função do tipo de limpeza a efectuar:
 - Interruptor na posição de uma gota: para a lavagem/limpeza de pavimentos com pouca sujidade; nesta condição a máquina pode trabalhar com uma autonomia de 50 minutos (em média 0,25 litros/min.).
 - Interruptor na posição de duas gotas: para a lavagem/limpeza de pavimentos com média/muita sujidade; nesta condição a máquina pode trabalhar com uma autonomia de 25 minutos (em média 0,5 litros/min.).
4. Com as mãos no guiador (2), ligue a máquina pressionando as alavancas de accionamento da escova (39) juntamente ao botão de activação (38).

**NOTA**

Se o led verde dos indicadores de carga da bateria se acende (37), a máquina está pronta para ser utilizada. Se se acender o led amarelo ou o led vermelho, é necessário carregar a bateria (ver o procedimento no capítulo Manutenção).

Paragem da máquina

5. Solte as alavancas de accionamento da escova (39) e o botão de activação (38).
6. Rode o manípulo de selecção de funções (31) para a posição "0" para desligar a máquina.

**ADVERTÊNCIA!**

Em caso de emergência ou para parar todas as funções da máquina, desligue o conector da bateria (7). Volte a ligar o conector para reactivar o funcionamento da máquina.

MÁQUINA EM OPERAÇÃO (LAVAGEM/SECAGEM)

1. Ligue a máquina, como previsto no parágrafo anterior.
2. Manobre a máquina mantendo ambas as mãos no guiador (2) e inicie o trabalho de lavagem/secagem do pavimento.
3. Se for necessário, varie a quantidade de solução de detergente enviada para a escova através do interruptor (36).
4. Quando for necessário, para utilizar o limpador de secagem na direcção oposta, carregue no guiador (2) e levante ligeiramente a cabeça com a escova em movimento. Assim que a cabeça rodar de 180°, comece a lavagem/secagem puxando a máquina.
Para voltar a trabalhar na direcção de avanço, manobre a máquina empurrando-a para frente até que a cabeça do porta-escova (12) volte para a posição original.

**ATENÇÃO!**

Preste a máxima atenção quando levantar a cabeça com a escova em rotação: a cabeça rodará de 180° com movimento repentino: preste atenção às partes em movimento, não choque contra e/ou danifique objectos, paredes ou pessoas.

**ADVERTÊNCIA!**

Para evitar danificar a superfície de pavimento tratado, não utilize a escova a seco e, quando a máquina permanecer parada, pare a rotação da escova/feltro através das alavancas (39).

**ADVERTÊNCIA!**

Antes de levantar a escova/feltro, pare a rotação soltando as alavancas (39).

**NOTA**

Para uma lavagem/secagem correcta dos pavimentos nos bordos das paredes, a Advance sugere aproximar-se com o lado direito da máquina como representado na figura 2.

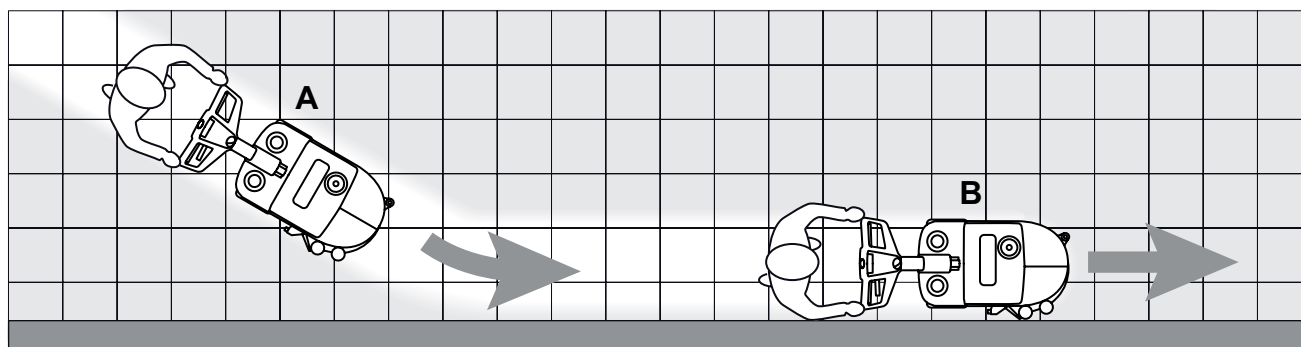


Figura 2

P1004108

Regulação da velocidade de avanço da máquina

5. A velocidade de avanço da máquina varia em função do tipo de pavimento a limpar e da selecção de utilização da escova ou do feltro. Se for necessário, é possível regular a velocidade de avanço efectuando o procedimento correspondente indicado no capítulo Manutenção.

Carregamento da bateria durante o funcionamento

6. Enquanto o led verde dos indicadores de carregamento da bateria (37) permanecer aceso, a bateria permite que a máquina funcione normalmente. Quando o led verde se apagar e se acender o led amarelo ou o vermelho, é necessário efectuar o carregamento da bateria dado que a autonomia restante de funcionamento da máquina atingiu o nível mínimo.

**ADVERTÊNCIA!**

Para não danificar a bateria e reduzir a respectiva vida útil, não persistir na utilização da máquina com bateria descarregada.

TRANSPORTE/ESTACIONAMENTO DA MÁQUINA

Para o transporte/estacionamento da máquina, siga as seguintes indicações.

1. Certifique-se de que o manípulo de selecção de funções (31) se encontra na posição "0".
2. Pegue no guiador (2) e levante ligeiramente a cabeça porta-escovas da máquina. Com a máquina nesta posição, empurre-a para onde seja necessário.
3. Depois de concluir o trabalho, remova a escova/filtro para não arrastá-la no chão e deixar marcas molhadas.

ESVAZIAMENTO DO RESERVATÓRIO

Um sistema de fecho automático com bóia (25) bloqueia o sistema de aspiração quando o reservatório da água de recuperação (23) está cheio.

Se ocorrer um aumento dos ruídos do motor de aspiração e, além disso, o piso deixa de ser secado, então significar que existe um bloqueio do sistema de aspiração.



ADVERTÊNCIA!

Caso o sistema de aspiração se desligue por razões acidentais (por exemplo devido à intervenção prematura da bóia durante a deslocação brusca da máquina), para restabelecer o funcionamento, desligue a máquina rodando o manípulo de selecção de funções (31) para "0", certifique-se de que a bóia no interior da grelha (25) desceu até ao nível da água; por último, volte a ligar o sistema de aspiração rodando o manípulo de selecção de funções (31).

Quando o reservatório da água de recuperação (23) estiver cheio, esvazie do seguinte modo.

Esvaziamento do reservatório de água de recuperação

1. Certifique-se de que o manípulo de selecção de funções (31) se encontra na posição "0".
2. Leve a máquina para a zona de despejo designada.
3. Remova a tampa transparente (24).
4. Segure a pega (A, Fig. 3) e levante o reservatório da água de recuperação (B).
5. Esvazie o reservatório de água de recuperação. No final, lave o reservatório com água limpa.
6. Volte a colocar o reservatório no local respectivo sobre o chassis e a tampa transparente.

Esvaziamento do reservatório da solução detergente

7. Execute os pontos 1 a 3.
8. Segure a pega (C, Fig. 3) e levante o reservatório da solução detergente (D).
9. Abra a tampa (E) e esvazie o reservatório da solução detergente. No final, lave o reservatório com água limpa.
10. Volte a colocar o reservatório no local respectivo sobre o chassis e a tampa transparente.

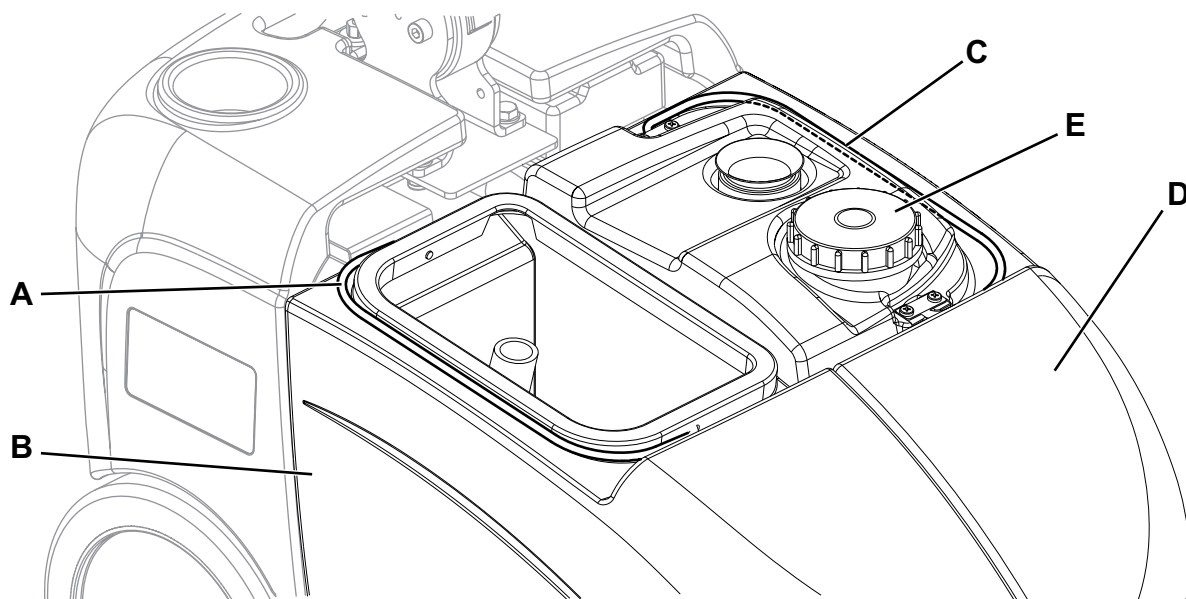


Figura 3

P100409

APÓS A UTILIZAÇÃO DA MÁQUINA

No fim do serviço, antes de abandonar a máquina:

1. Esvazie os reservatórios (23 e 22), operando como indicado no parágrafo anterior.
2. Efectue as manutenções previstas após a utilização da máquina (veja o capítulo Manutenção).
3. Conserve a máquina num local seco e limpo, com a escova/porta-filtro e as borrachas do limpador desmontadas ou levantadas.

INACTIVIDADE PROLONGADA DA MÁQUINA

Caso preveja não utilizar a máquina por mais de 30 dias, é oportuno executar as seguintes operações:

1. Execute as operações descritas no parágrafo precedente.
2. Abra a tampa (4) e desligue o conector da bateria (7).
3. Conserve a máquina num local limpo e seco.
4. Para uma melhor protecção da escova e das borrachas do limpador, rode o guiador (2) para a frente e estacione a máquina como indicado na figura 4.

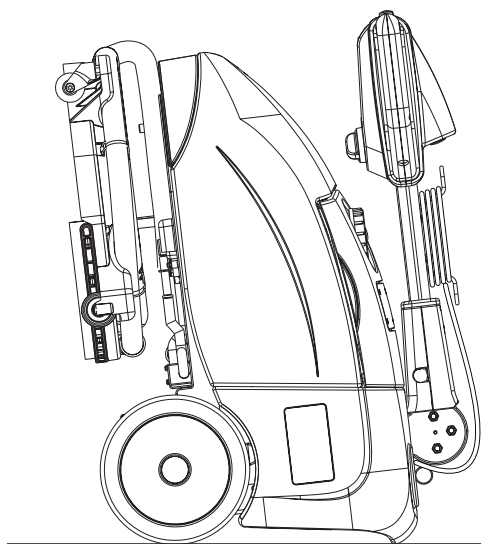


Figura 4

P100410

MANUTENÇÃO

A duração da vida útil da máquina e sua máxima segurança de funcionamento são garantidas através de uma manutenção cuidadosa e regular. Encontra-se indicado a seguir uma síntese do plano de manutenção programada. As periodicidades indicadas podem sofrer variações em função de condições especiais de trabalho, a serem definidas por parte do responsável da manutenção.



ATENÇÃO!

As operações de manutenção devem ser efectuadas com a máquina parada, com a bateria desligada e com o cabo eléctrico de carregamento de baterias desligado.

Além disso, leia cuidadosamente todas as instruções do parágrafo Segurança.

Todas as operações de manutenção programadas ou extraordinárias devem ser efectuadas por pessoal qualificado ou por um centro de assistência autorizado. Neste manual estão indicados apenas os procedimentos de manutenção mais simples e mais frequentes.



NOTA

Para o procedimento de outras operações de manutenção indicadas no diagrama de manutenção programada, consulte o respectivo Manual de assistência que possuem os vários Centros de assistência.

PLANO DE MANUTENÇÃO PROGRAMADA

Procedimento	Diário, após a utilização da máquina	Semanal	Semestral	Anual
Carregamento da bateria				
Limpeza do limpador				
Limpeza da escova				
Limpeza dos reservatórios e da grelha de aspiração				
Controlo e/ou substituição das borrachas do limpador				
Controlo e limpeza da válvula de solução de detergente			(1)	
Controlo e/ou substituição das embraiagens de rotação da cabeça porta-escova				(1)

(1) Para o respectivo procedimento, consulte o Manual de assistência.

INSTALAÇÃO/SUBSTITUIÇÃO DA BATERIA



ATENÇÃO!

Os componentes eléctricos desta máquina podem sofrer danos graves se a bateria não for instalada e ligada correctamente. A bateria deve ser instalada exclusivamente por pessoal qualificado. Inspeccione a bateria antes da instalação para verificar que não esteja danificada.

Desligue o conector da bateria e a tomada do carregador de baterias.

Manuseie a bateria com muita atenção.

Instale as tampas protectoras dos terminais da bateria fornecidas com a máquina.



PERIGO!

Nesta máquina, está prevista a utilização de baterias de chumbo seladas (tecnologia GEL ou AGM).

Nunca utilize baterias de electrólito líquido ou não seladas (WET).

1. Abra a tampa (4) e desligue o conector da bateria (7).
2. Desligue os 2 terminais dos pólos da bateria.
3. Retire a correia e remova a bateria
4. Instale a bateria nova na máquina e fixe-a com a correia específica.
5. Ligue os 2 terminais aos pólos da bateria.



ATENÇÃO!

Preste especial atenção à ligação dos pólos da bateria. O cabo vermelho deve ser ligado ao pólo positivo (+) e o cabo preto deve ser ligado ao pólo negativo (-) da bateria.

A ligação errada dos cabos irá danificar o carregador das baterias.

6. Ligue os 2 terminais aos pólos da bateria.
7. Ligue o conector da bateria (7) e feche a tampa (3).
8. Antes de utilizar a máquina, carregue as baterias.



ATENÇÃO!

A bateria (GEL/AGM) instalada poderia requerer um algoritmo de recarga específico: consulte um centro Advance qualificado para definir o algoritmo de recarga mais adequado à bateria adquirida.

CARREGAMENTO DA BATERIA



NOTA

Carregue a bateria quando o led amarelo ou vermelho se acende, ou após cada trabalho.

Mantenha a bateria carregada aumentando assim a duração da vida útil.



ADVERTÊNCIA!

Quando a bateria está descarregada, carregue-a logo que possível, dado que este estado provoca uma redução da respectiva vida útil.

Controle a carga da bateria pelo menos uma vez por semana.

1. Coloque a máquina num pavimento plano.
2. Certifique-se de que o manípulo de selecção de funções (31) se encontra na posição "0".
3. Ligue o cabo (10) do carregador de bateria à rede eléctrica [a tensão e a frequência de rede devem ser iguais aos valores correspondentes do carregador de bateria, indicados na placa (1) situada na máquina].



NOTA

Quando o carregador de baterias está ligado à rede eléctrica, todas as funções da máquina são desactivadas automaticamente.

O led vermelho e amarelo dos indicadores de carga (37) indicam que o carregador de baterias está a carregar a bateria.

4. Quando o led verde dos indicadores de carga (37) fica aceso e fixo, o carregamento da bateria está terminado.
5. Ao terminar do ciclo de carga, desligue o cabo (10) do carregador de bateria da rede eléctrica e enrole-o no suporte específico (11).
6. A máquina está pronta a utilizar.



NOTA

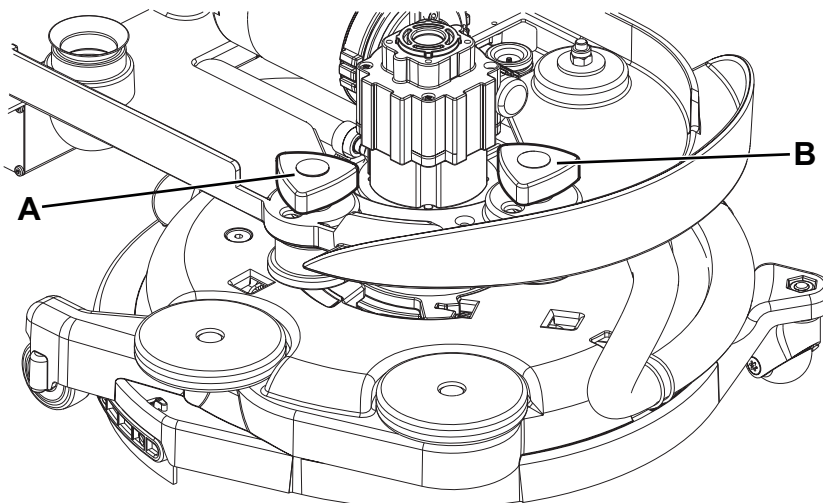
Para mais informações sobre o funcionamento do carregador de baterias (9), consulte o respectivo manual.

REGULAÇÃO DO AVANÇO DA MÁQUINA**NOTA**

A velocidade ou o avanço em linha recta podem variar em função do tipo de piso a limpar e a escolha de utilizar a escova ou o feltro.

Se for necessário, é possível efectuar a respectiva regulação do seguinte modo.

1. Remova o reservatório da água de recuperação e o do detergente.
2. Regule a velocidade de avanço da máquina com o volante (A. Fig. 5):
 - Rode o volante no sentido contrário ao dos ponteiros do relógio para aumentar a velocidade de avanço da máquina.
 - Rode o volante no sentido dos ponteiros do relógio para diminuir a velocidade de avanço da máquina.
3. Caso note na máquina a tendência a desviar da direcção em linha recta de avanço, é possível intervir no volante (B) no sentido dos ou contrários aos ponteiros para corrigir o desvio e obter um comportamento bastante neutro.
4. Após a regulação, instale os reservatórios como indicado no capítulo Utilização.
5. Com a máquina pronta para funcionar, efectue as verificações práticas da máquina e, caso seja necessário, volte a repetir os pontos 1 a 4.

**Figura 5**

P100413

LIMPEZA DO LIMPADOR



NOTA

Para obter uma boa secagem, o limpador deve estar limpo e com as borrachas em boas condições.



ATENÇÃO!

Durante a limpeza do limpador, aconselha-se o uso de luvas de trabalho devido à possível presença de detritos cortantes.

1. Coloque a máquina num pavimento plano.
2. Certifique-se de que o manípulo de selecção de funções (31) se encontra na posição "0" e desligue o conector da bateria (7).
3. Rode a cabeça porta-escova/porta-filtro (12) no sentido contrário ao dos ponteiros do relógio até ao fim de curso.
4. Desligue o tubo de aspiração (A, Fig. 6) do limpador.
5. Desligue o limpador (B) da cabeça.
6. Lave e limpe o limpador. Em particular, limpe as sujidades e detritos dos compartimentos de transporte (C) e do orifício de aspiração (D).
7. Certifique-se de que a borracha dianteira (E) e a borracha traseira (F) se encontram em bom estado e não apresentam cortes ou golpes, caso contrário deve substituí-las (veja o procedimento no parágrafo seguinte).
8. Monte os componentes na ordem inversa em relação à desmontagem.

CONTROLO E SUBSTITUIÇÃO DAS BORRACHAS DO LIMPADOR

1. Limpe o limpador como indicado no parágrafo anterior.
2. Certifique-se de que a borracha dianteira (E, Fig. 6) e a borracha traseira (F) estão em bom estado e não apresentam cortes ou golpes, caso contrário deve substituí-las. Certifique-se também de que a borracha traseira não tem a aresta dianteira (G) gasta; caso contrário, vire a própria borracha, de modo a trocar uma aresta pela outra se esta ainda estiver em bom estado. Caso as outras arestas também estiverem gastas, substitua a borracha, do seguinte modo:
 - Retire a fita elástica de fixação (H) desengatando-a das juntas (I).
 - Substitua (ou vire) a borracha traseira (F) e, em seguida, volte a colocar a fita elástica de fixação.
 - Retire a fita de fixação (J) desengatando-a das juntas (K).
 - Substitua (ou vire) a borracha dianteira (E) e, em seguida, volte a colocar a fita de fixação.
3. Instale o limpador (B) inserindo cuidadosamente os ganchos (L) e o orifício de aspiração (M) nos encaixes da cabeça porta-escova.
4. Ligue o tubo de aspiração (A) do limpador.

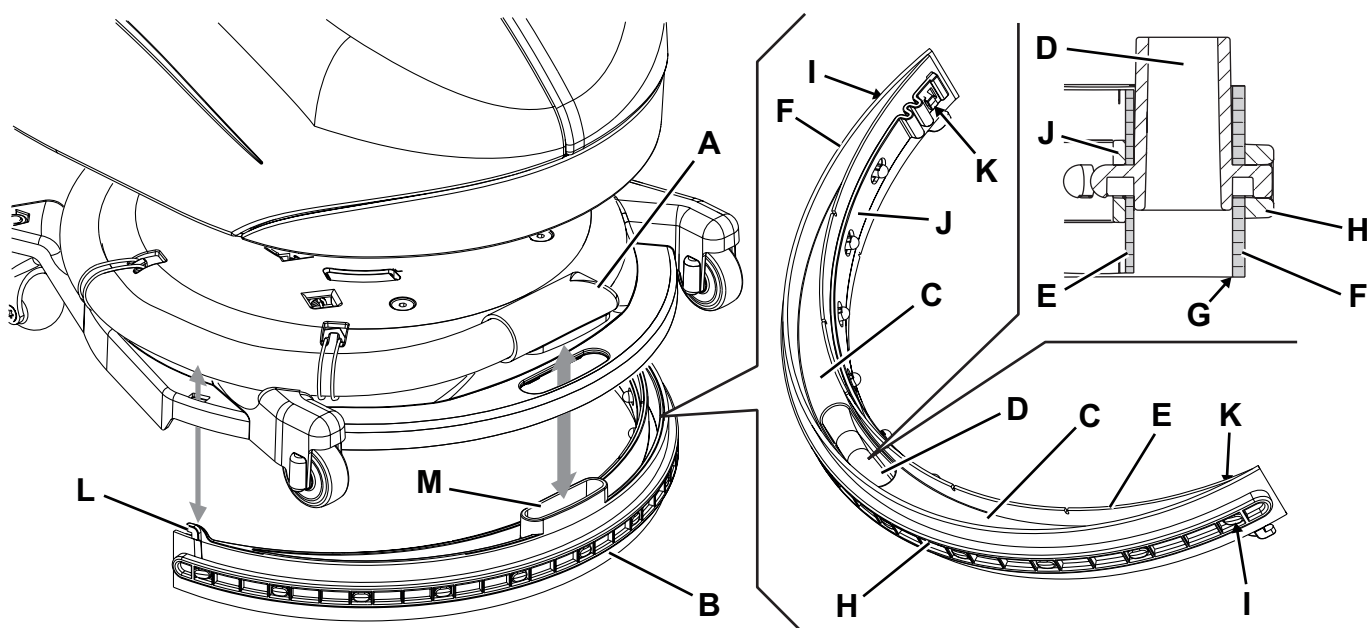


Figura 6

P100411

LIMPEZA DA ESCOVA

NOTA

Durante a limpeza da escova, aconselha-se o uso de luvas de trabalho devido à possível presença de detritos cortantes.

1. Retire a escova da máquina como descrito no capítulo Utilização.
2. Limpe e lave a escova com água e solução detergente.
3. Controle que as cerdas da escova estejam íntegras e não excessivamente desgastadas, caso contrário substitua-a.

LIMPEZA DOS RESERVATÓRIOS, DA TAMPA E DA GRELHA DE ASPIRAÇÃO

1. Leve a máquina para a zona de despejo designada.
2. Certifique-se de que o manípulo de selecção de funções (31) se encontra na posição "0" e desligue o conector da bateria (7).
3. Retire a tampa (A, Fig. 7), limpe e lave a tampa e a grelha de aspiração (B) com água limpa.
4. Descarregue a água dos reservatórios (C e D) e limpe-os.
5. Se for necessário, desmonte a grelha (B) e remova a bóia (E), em seguida, limpe-os com cuidado e volte a instalá-los.
6. Verifique o estado da junta (F) da tampa do reservatório da água de recuperação.



NOTA

A junta (F) permite a formação da depressão no reservatório, necessária para a aspiração da água de recuperação.

Substitua, se for necessário, a junta (F) após tê-la tirado da própria sede (G) da tampa. Durante a montagem da nova junta, coloque a junta (H) na zona como indicado na figura.

7. Certifique-se também de que toda a superfície no perímetro (I) de apoio da junta (F) esteja limpa e seja adequada para a vedação da própria junta.
8. Verifique a conduta de aspiração (J) e a junta (K), e limpe-as com cuidado se necessário.
9. Volte a instalar a tampa do reservatório da água de recuperação (A).

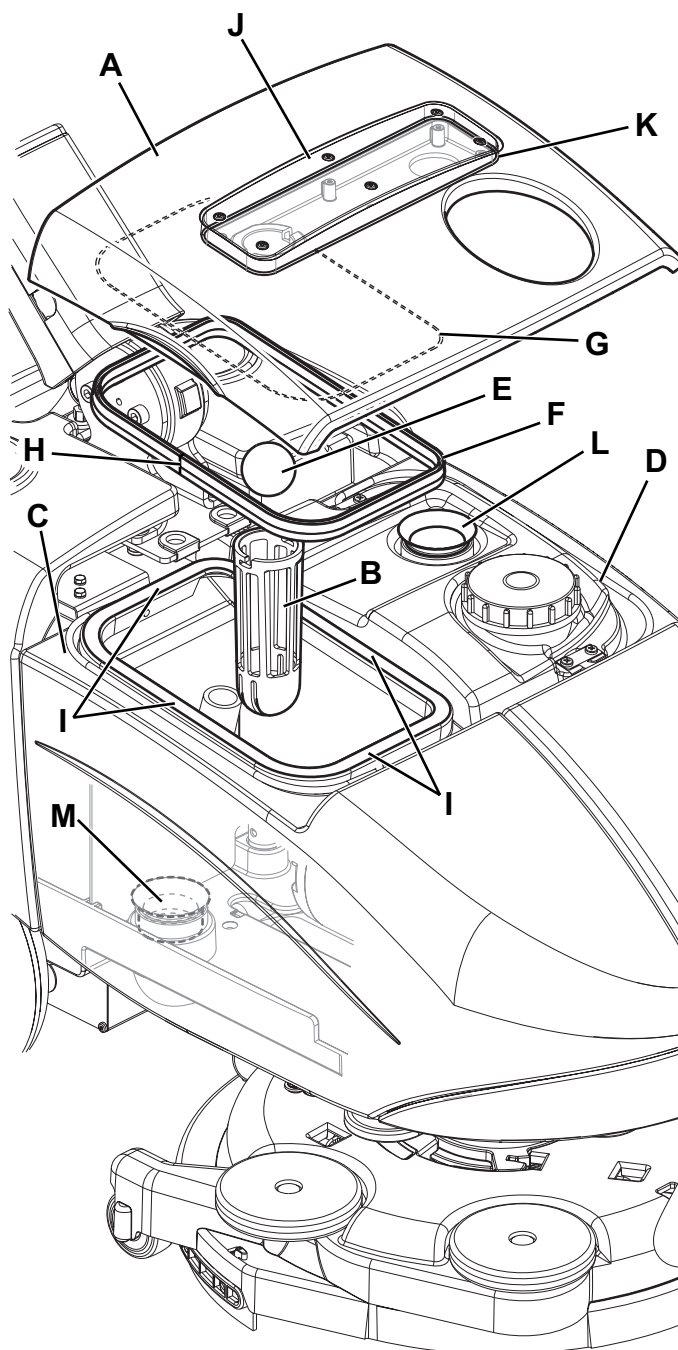


Figura 7

LIMPEZA DAS JUNTAS DO SISTEMA DE ASPIRAÇÃO

NOTA

As juntas (L) e (M) permitem a formação da depressão do sistema que é necessária para aspirar a água de recuperação.

1. Coloque a máquina num pavimento plano.
2. Certifique-se de que o manípulo de selecção de funções (31) se encontra na posição "0" e desligue o conector da bateria (7).
3. Abra a tampa (A, Fig. 7) e confirme o bom estado da junta (L) do motor do sistema de aspiração. Substitua, se for necessário, a junta após tê-la tirado da própria sede.
4. Retire o reservatório de água de recuperação (C).
5. Verifique o estado da junta (M) da mangueira para a água de recuperação. Se for necessário, substitua a junta.
6. Limpe cuidadosamente e volte a instalar.

P100412

CONTROLO/SUBSTITUIÇÃO/REPOSIÇÃO DOS FUSÍVEIS

1. Coloque a máquina num pavimento plano.
2. Certifique-se de que o manípulo de selecção de funções (31) se encontra na posição "0" e desligue o conector da bateria (7).
3. Abra a tampa (4) e verifique se os fusíveis seguintes estão em bom estado ou eventualmente desinseridos (Fig. 8):
 - (A): Disjuntor F1 (35 A), motor escova.
 - (B): Fusível de lâmina F2 (30 A), motor de aspiração.
 - (C): Fusível de lâmina F3 (5 A), equipamentos auxiliares.
 Restabeleça ou substitua o eventual fusível, após ter verificado e eliminado o que casou a interrupção.
4. Feche a tampa (4).

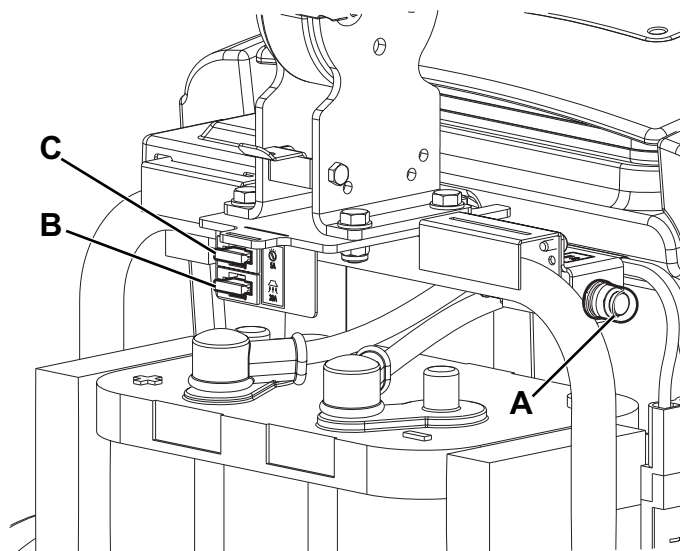


Figura 8

P100414

RESOLUÇÃO DE PROBLEMAS

Problema	Causa provável	Solução
Não é possível ligar os motores; nenhum led aceso.	Conector da bateria desligado.	Ligue-o.
	Bateria completamente descarregada.	Carregue-a.
	Fusível F3 interrompido.	Substitua-o.
O motor da escova não funciona.	Fusível F1 desactivado.	Restabeleça o fusível.
Não é possível ligar o motor do sistema de aspiração.	Fusível F2 interrompido.	Substitua-o.
A aspiração da água suja é insuficiente.	Reservatório de água de recuperação cheio.	Esvazie-o.
	Grelha de aspiração entupida ou bóia presa no fecho.	Limpe a grelha e controle a bóia.
	Tubo de aspiração desligado do limpador ou avariado.	Ligue-o ou substitua-o. (*)
	Limpador sujo ou borrachas do limpador gastas/danificadas.	Limpe o limpador ou substitua as borrachas.
	Tampa do reservatório da água de recuperação mal fechada ou juntas danificadas.	Verifique e/ou limpe a zona de contacto ou substitua as juntas.
	Filtro do motor de aspiração sujo.	Limpe.
O fluxo de solução detergente para a escova/feltro é insuficiente.	Conduta do detergente suja/entupida.	Limpe.
	Electroválvula avariada.	Substitua-a. (*)
O limpador risca o pavimento.	Presença de detritos por baixo das borrachas do limpador.	Remova os detritos.
	Borrachas do limpador gastas, fissuradas ou com lacerações.	Substitua as borrachas.

(*) Manutenção de competência de um Centro de assistência autorizado Advance.



NOTA

A máquina não pode funcionar sem o carregador de bateria.

Em caso de defeito no carregador de baterias, contacte um Centro de assistência autorizado.

Para mais informações, contacte os Centros de assistência da Advance, que possuem o Manual de assistência.

FIM DE VIDA

Proceda ao depósito da máquina junto de um demolidor autorizado.

Antes de proceder ao depósito da máquina, é necessário remover e separar os seguintes materiais e enviá-los para o sistema de recolha separada em conformidade com a norma ambiental em vigor:

- Bateria
- Escovas
- Tubos e peças em material plástico
- Partes eléctricas e electrónicas (*)

(*) Em particular, para o depósito das partes eléctricas e electrónicas, dirija-se a um centro local da Advance.



14600 21st Avenue North
Plymouth, MN 55447-3408

www.advance-us.com

Phone: 800-989-2235

Fax: 800-989-6566

©2013 Nilfisk-Advance, Inc.