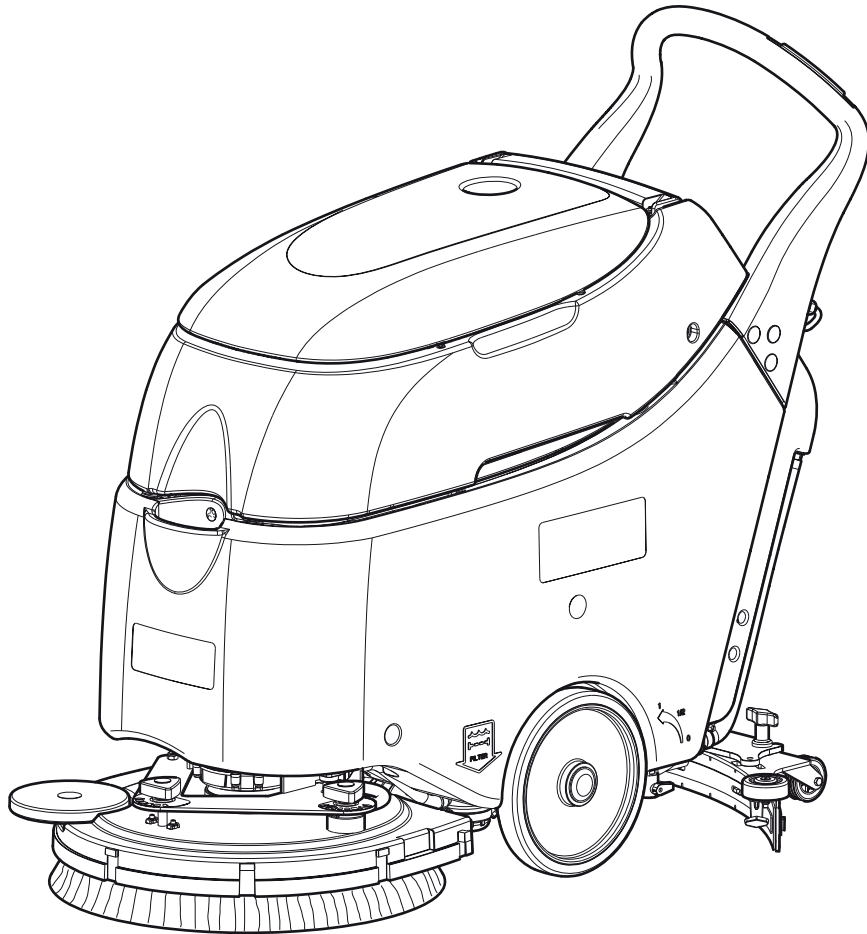


SC450



PARTS LIST

Model: 9087331020 - 9087371020



TABLE OF CONTENTS

ENG	PAGE
GENERAL VIEW	2 - 3
SOLUTION TANK	4 - 5
RECOVERY TANK	6 - 7
HANDLE BAR AND WHEELS	8 - 9
SOLUTION SYSTEM	10 - 11
SQUEEGEE SYSTEMS	12 - 13
BRUSH DECK	14 - 15
CONTROL PANEL	16 - 17
ELECTRICAL COMPONENTS	18 - 19
BATTERY CHARGER	20 - 21
ACCESSORIES	22 - 23
WIRING DIAGRAM	24 - 25
RECOMMENDED SPARE PARTS LIST	26
OPTIONALS LIST	27

WHEN ORDERING PARTS

- * Use the part numbers from the "Ref. No." columns in this parts list.
- * Specify the model and serial number of the machine.
- * Use the space below to record the model and serial number for future reference.

Model

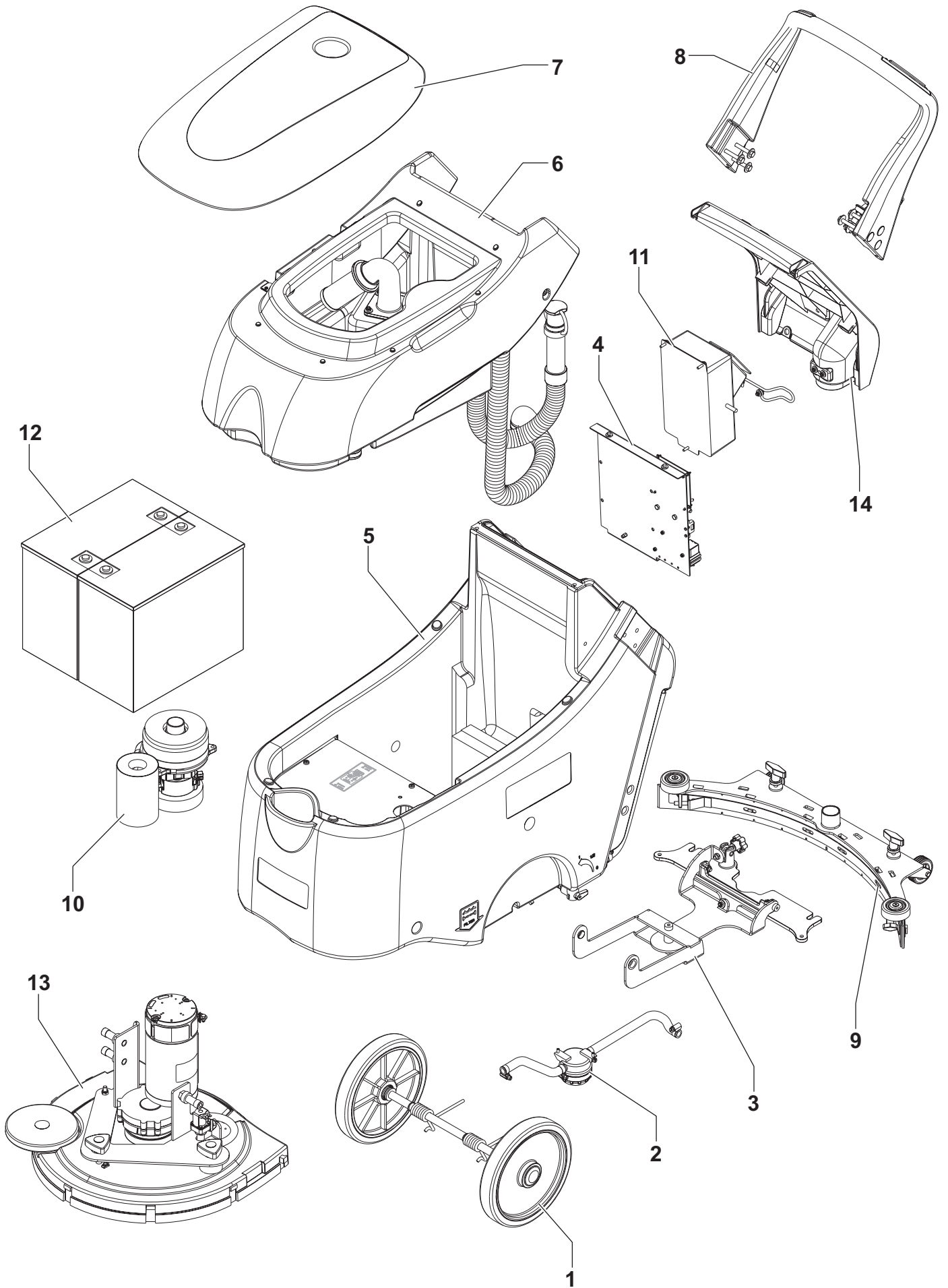
Serial No.

* = Optional

= Modified item No. or New item No.

[] = Not shown

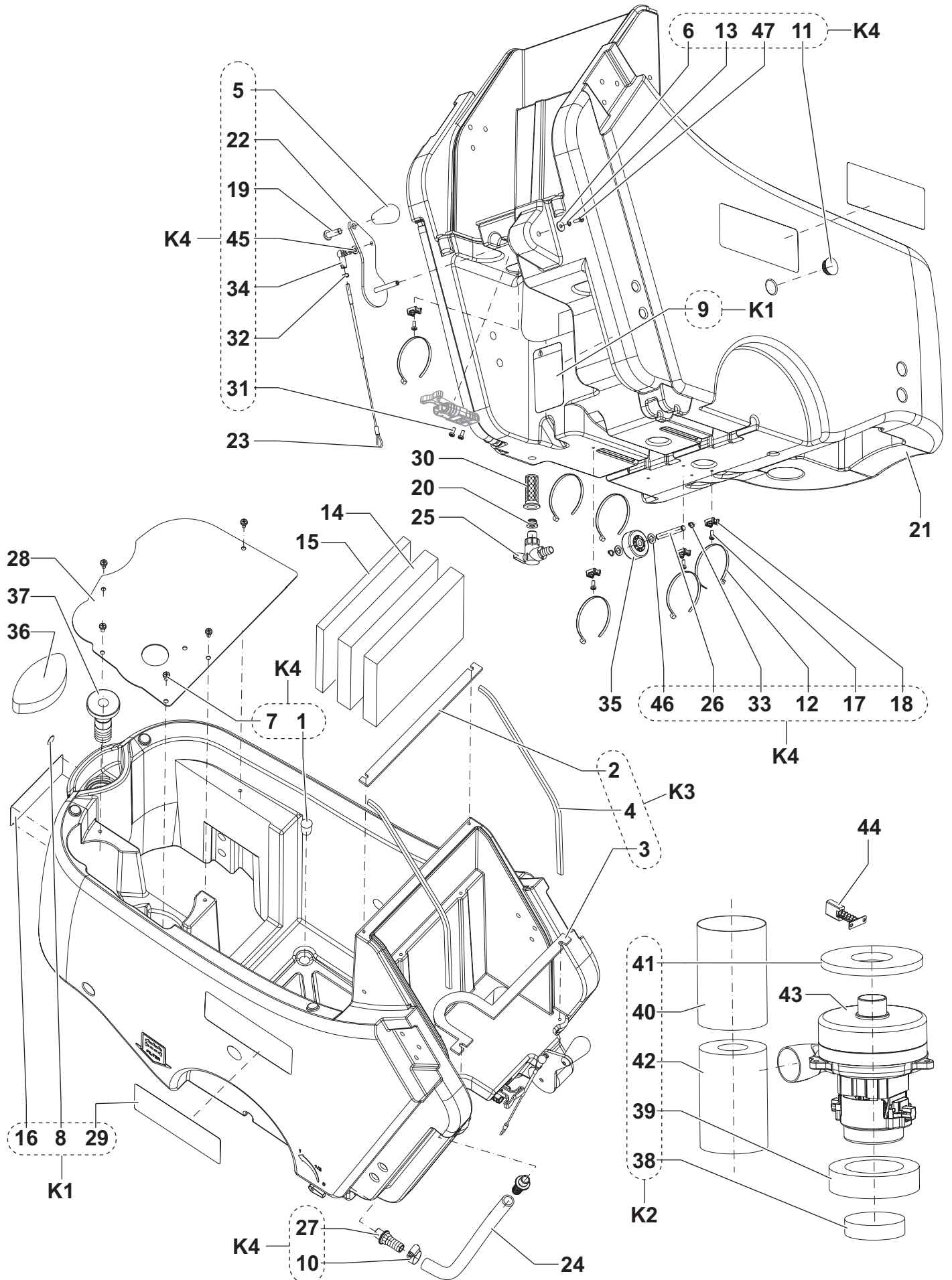
GENERAL SYSTEM



GENERAL SYSTEM

KIT	ITEM	REF. NO.	QTY	DESCRIPTION
	1		1	WHEELS ASSEMBLY
	2		1	SOLUTION SYSTEM ASSEMBLY
	3		1	SQUEEGEE HOLDER ASSEMBLY
	4		1	ELECTRONIC BOX ASSEMBLY
	5		1	SOLUTION TANK ASSEMBLY
	6		1	RECOVERY TANK ASSEMBLY
	7		1	COVER TANK ASSEMBLY
	8		1	HANDLE BAR ASSEMBLY
	9		1	SQUEEGEE ASSEMBLY
	10		1	VACUUM ASSEMBLY
	11		1	CHARGER ASSEMBLY
	12		1	BATTERIES
	13		1	BRUSH DECK ASSEMBLY
	14		1	CONTROL PANEL ASSEMBLY

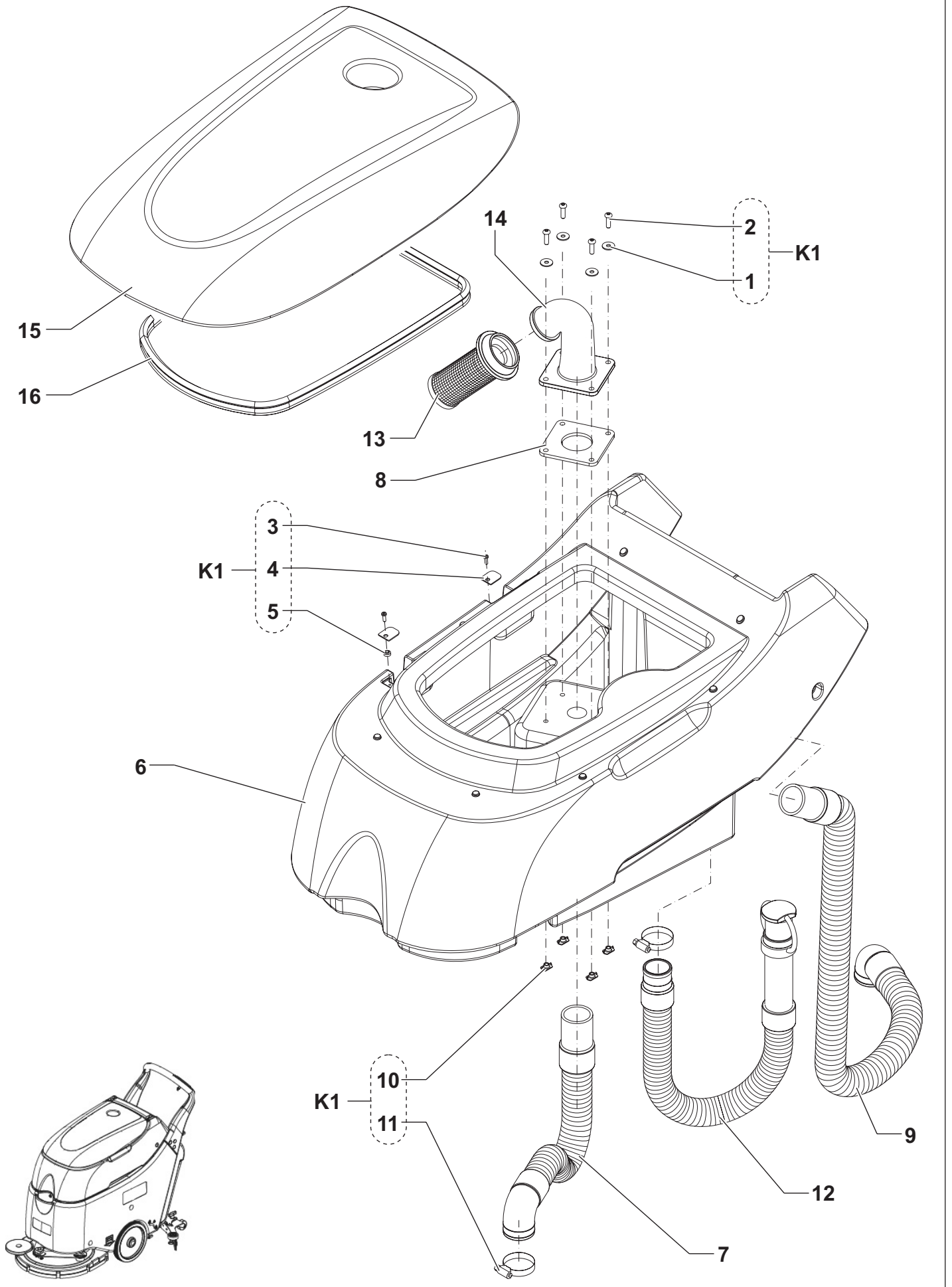
SOLUTION TANK



SOLUTION TANK

KIT	ITEM	REF. NO.	QTY	DESCRIPTION
K4	1		1	CAP BLACK
K3	2		1	GASKET
K3	3		1	GASKET
K3	4		2	GASKET ADHESIVE L.960MM
K4	5	909 6621 000	1	KNOB
K4	6		1	WASHER 6X18 UNI6592
K4	7		5	SCREW M6X12 UNI7687
K1	8		1	DECAL WATER FAUCET
K1	9		1	DECAL WARNING
K4	10		1	CLAMP 12/ 16-27
K4	11		2	CAP. BLACK
K4	12		4	TIE CABLE 4.8X200 BLACK
K4	13		1	WASHER M5 UNI1751B
	14	146 0668 000	2	PANEL INSULATING
	15	145 6094 000	1	ISOLANT PANEL
K1	16		1	DECAL NILFISK RECTANGULAR
K4	17		4	SCREW M5X12 UNI7687 SS
K4	18		4	HOLDER.FLAT TIE
K4	19		1	SCREW M10X30 ISO7380
	20	909 5286 000	1	GASKET
	21	9099251000	1	TANK SOLUTION
K4	22		1	LEVER SQUEEGEE LIFTING
	23	9099258000	1	CABLE SQUEEGEE LIFTING
	24	9099261000	1	HOSE SOLUTION
	25	9099513000	1	VALVE ELBOW 90. D.13MM
K4	26		1	PIN WHEEL
K4	27		2	HOLDER RUBBER D.16 G3/8
	28#	9100000168	1	PLATE VACUUM MOTOR
K1	29		2	DECAL NILFISK SC450
	30*	9096916000	1	FILTER SOLUTION TANK
K4	31		2	SCREW M3X20 UNI7687
K4	32		1	NUT HEX M6 UNI5588
K4	33		2	RING D 9 UNI7435
K4	34		1	BALL JOINT M6 DIN7180
	35#	9099953000	1	WHEEL D.50
	36	9099561000	1	SPONGE WATER ENTRANCE
	37*	9097290000	1	HOSE FILLING
K2	38	909 6672 000	1	FILTER
K2	39		1	GASKET VACUUM MOTOR
K2	40		1	SHEATH D.48
K2	41		1	GASKET VACUUM MOTOR
K2	42		1	PIPE.ACOUSTIC INSULATION
	43	9099922000	1	MOTOR VACUUM 330W 24V KIT
	44	909 5371 000	2	CARBON BRUSH
K4	45		1	WASHER M6 UNI1751B
K4	46		2	WASHER 10X21X1 NYLON
K4	47		1	SCREW M5X16 UNI7687
	K1	9099856000	1	DECAL SC450 ADVANCE KIT
	K2	9099310000	1	GASKETS VACUUM MOTOR KIT
	K3	9099311000	1	GASKETS KIT
	K4	9099312000	1	HARDWARE SOLUTION TANK KIT

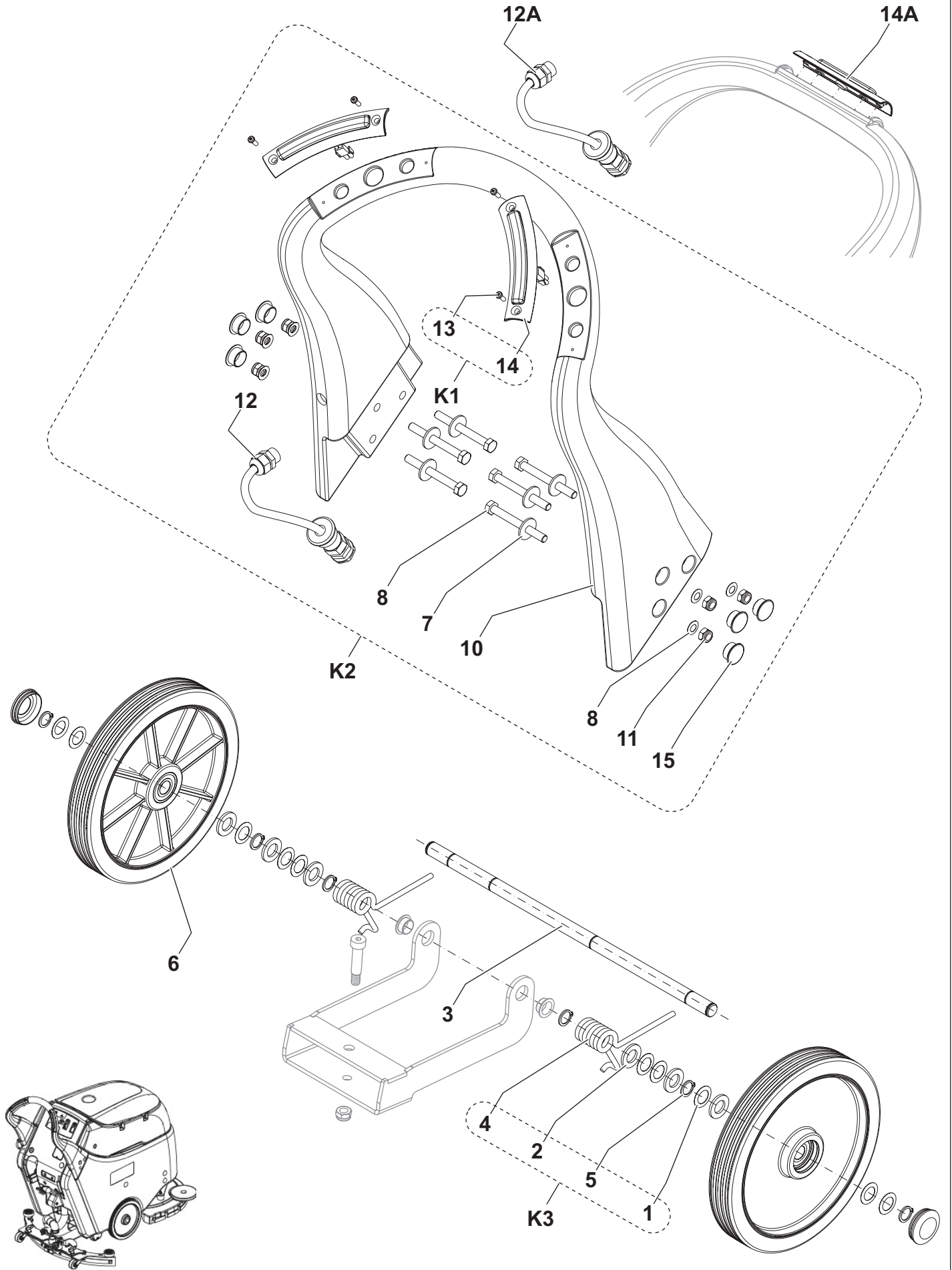
RECOVERY TANK



RECOVERY TANK

KIT	ITEM	REF. NO.	QTY	DESCRIPTION
K1	1		4	WASHER 6.4x12x1 NYLON
K1	2		4	SCREW M6X20 ISO7380 SS
K1	3		2	SCREW CYL HD SELFL 3.9X12
K1	4		2	PLATE TANK COVER
K1	5		1	BUSH FLANGED
	6	9099252000	1	TANK RECOVERY
	7	9099255000	1	HOSE VACUUM MOTOR
	8	9099276000	1	GASKET FLOAT CAGE HOLDER
	9	9099281000	1	HOSE SUCTION
K1	10		4	NUT JAW M6X6 INOX SS
K1	11		2	CLAMP 14/32-52
	12	9099692000	1	HOSE DRAIN KIT
	13	9099559000	1	FLOAT SHUT OFF
	14	9099558000	1	ELBOW FLOAT HOLDER
	15	9099253000	1	COVER TANK
	16	9099342000	1	GASKET BULB RUBBER L.1350MM PKD
K1		9099313000	1	HARDWARE RECOVERY TANK KIT

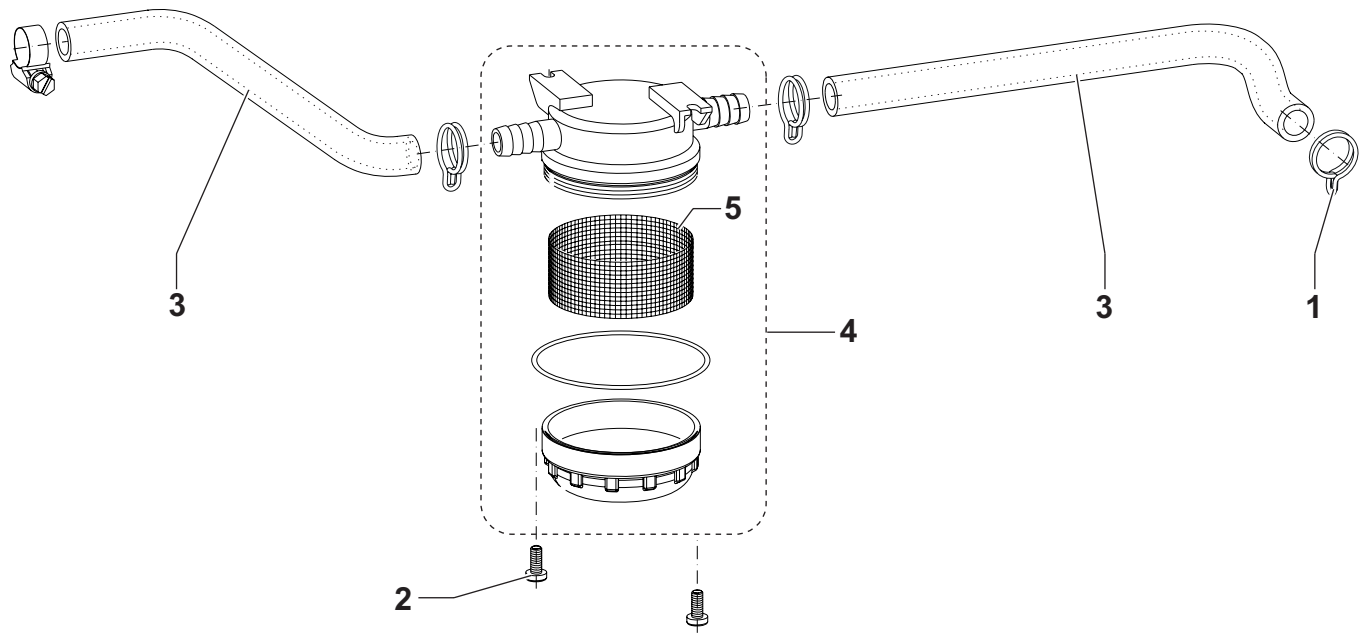
HANDLE BAR AND WHEELS



HANDLE BAR AND WHEELS

KIT	ITEM	REF. NO.	QTY	DESCRIPTION
K3	1		10	BELLEVILLE WASHER 17.3X27.7X0.4 DIN2093
K3	2		6	WASHER 17X30X3 FLAT ISO 7089
	3	9099256000	1	SHAFT WHEELS
K3	4		2	SPRING SQUEEGEE PUSHING
K3	5		6	RING D 17 UNI743
	6	9099270000	2	WHEEL D.254
K2	7		6	WASHER 8X24X2 FLAT ISO7093
K2	8		6	BELLEVILLE WASHER 8.2X15.8X0.35 DIN2093
K2	9		6	SCREW M8X75 UNI5739
K2	10#	9100000564	1	HANDLE BAR GREY PKD
K2	11		6	NUT SELF L. M8 UNI7474
K2	12#	9100000565	1	HARNESS HANDLE BAR PKD
	12A	9099285000	1	HARNESS HANDLE BAR
K1	13		4	SCREW CYL HD SELFL 3.9X12
K1	14		2	SWITCH CPL BLACK F HANDLE BAR
	14A	11178A	1	SWITCH HANDLE ASSY
K2	15		6	CAP D.18.5/D.24MM BLACK
K2	K1#	9100000466	1	SWITCHES CPL BLACK F HANDLE BAR KIT
	K2#	9100000425	1	HANDLE BAR GREY KIT
		9100000465	1	INSTRUCTIONS INSTALL. KIT 9100000425
	K3#	9100000566	1	HARDWARE WHEELS KIT
	A:	FOR OLD HANDLE BAR MODEL WITH ONE SWITCH		

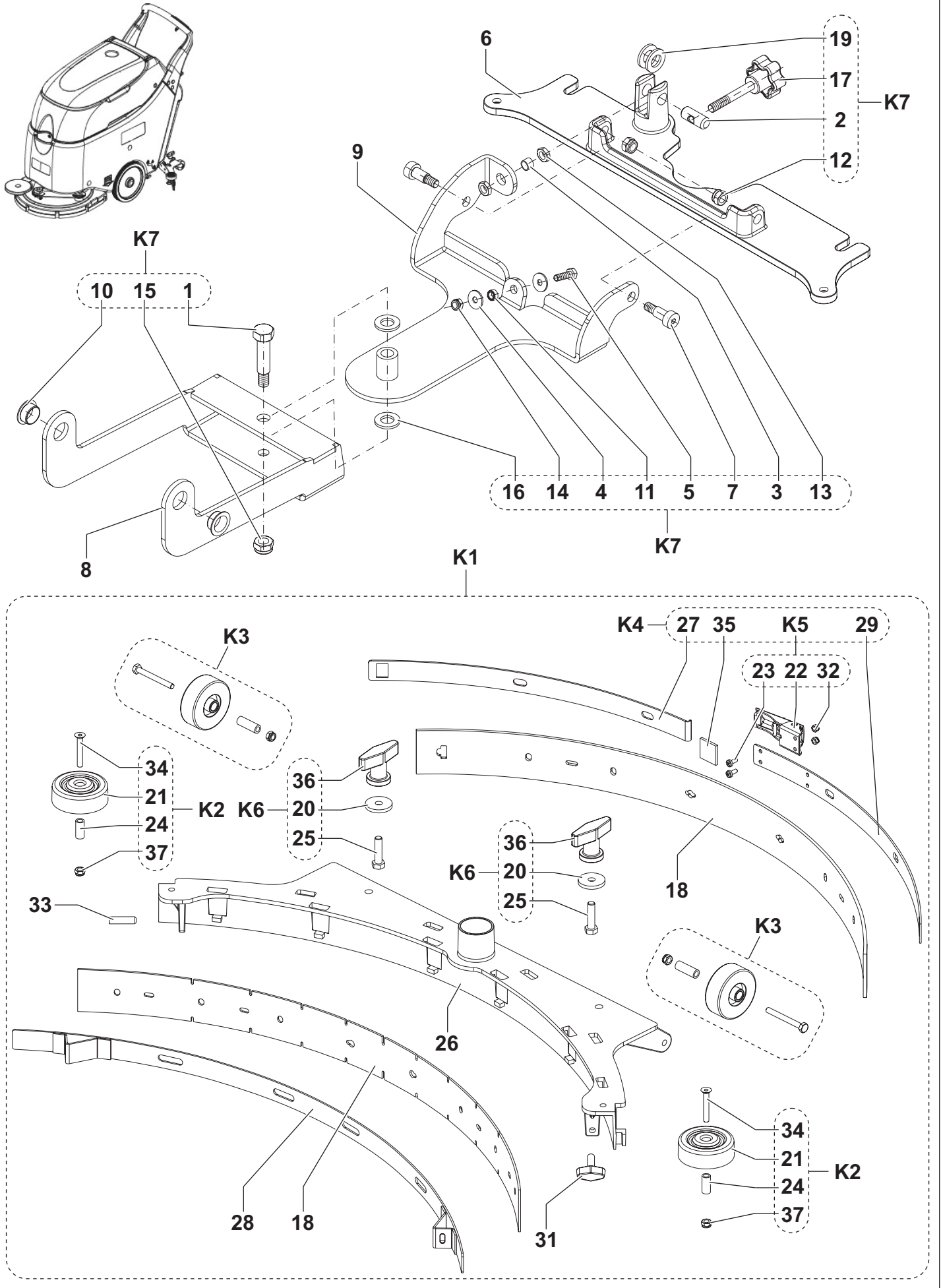
SOLUTION SYSTEM



SOLUTION SYSTEM

KIT	ITEM	REF. NO.	QTY	DESCRIPTION
	1#	9100000511	1	CLAMPS F SOLUTION SYSTEM KIT
	2	909 5009 000	2	SCREW M5X12 UNI7687 SS
	3	9099337000	1	HOSE D.12 KIT
	4#	9100000362	1	FILTER WATER
	5#	9099481000	1	NET WATER FILTER REINFORCED

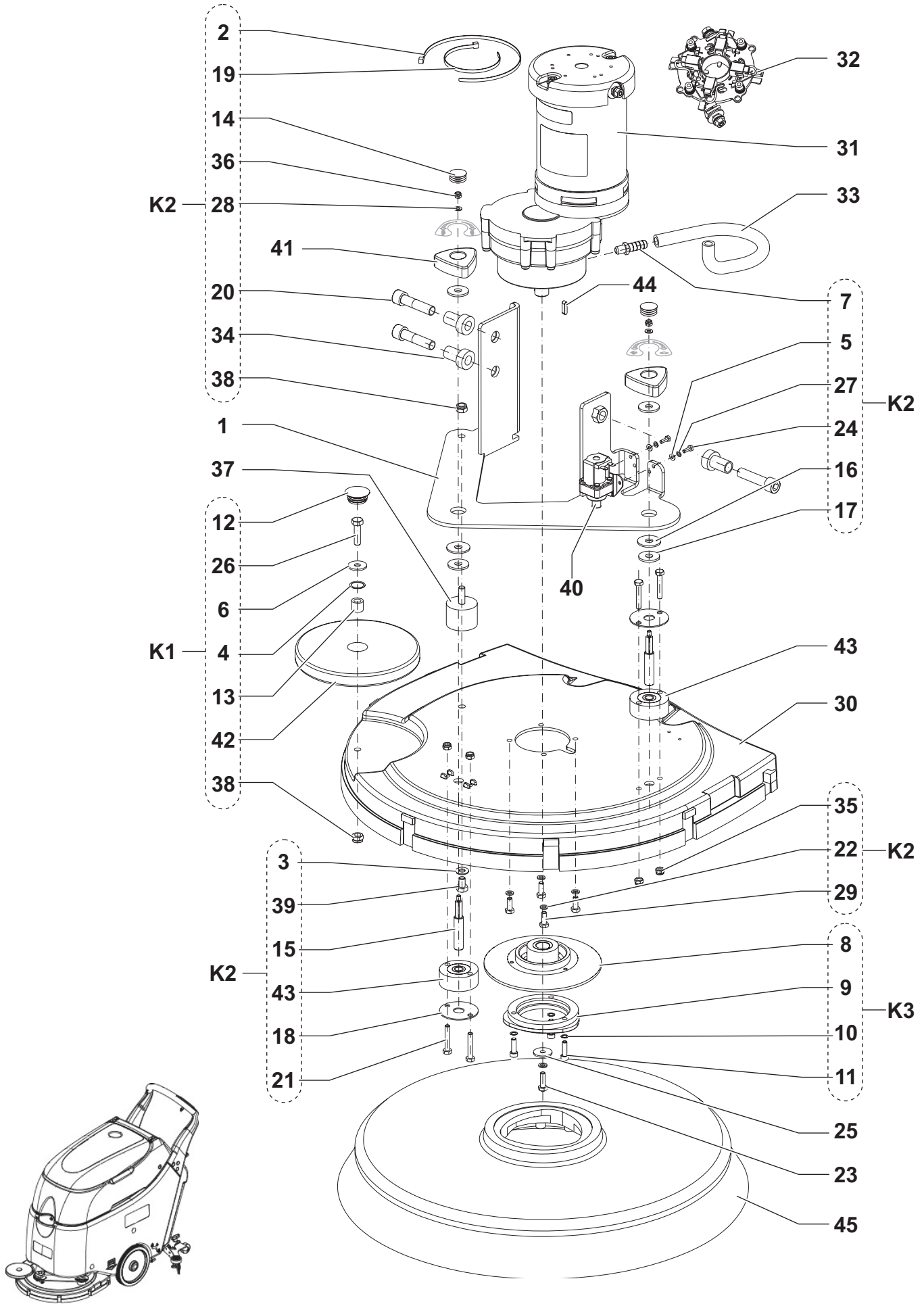
SQUEEGEE SYSTEM



SQUEEGEE SYSTEM

KIT	ITEM	REF. NO.	QTY	DESCRIPTION
K7	1		1	PIN FOR SQUEEGEE HOLDER
K7	2		1	PIN SUPPORT
K7	3		1	SPACER 8X10X7
K7	4		2	WASHER 6X18X1.5 UNI6593 SS
K7	5		1	SCREW M6X20 UNI5739 SS
	6	909 6045 000	1	SUPPORT. SQUEEGEE
K7	7		2	SCREW 10X16 M8 ISO7379 12.9 GEOMET 320 A
	8#	9100000509	1	SUPPORT FRONT F SQUEEGEE PKD
	9#	9100000510	1	SUPPORT REAR F SQUEEGEE PKD
K7	10		2	BUSHING FLANGED GFM-1719-09
K7	11		1	SPACER 6.5X10X5
K7	12		2	NUT SELF L. M8 UNI7474
K7	13		2	NUT HEX M8 UNI5589
K7	14		1	NUT SELF L. M6 UNI7474 SS
K7	15		1	NUT SELF L. M10 UNI7474
K7	16		2	WASHER 12X24 UNI6592 NYLON
K7	17		1	HANDWHEEL M8x55
K1	18#	9100000279	1	BLADES NON MARKING 740MM/29 KIT
	18*	909 6858 000	1	BLADES PU KIT 740MM/29
K7	19		1	WASHER 15X25 NYLON UNI6592
K6	20		2	WASHER.RUBBER
K2	21		2	ROLLER BUMPER
K5	22		1	LATCH SQUEEGEE
K5	23		2	SCREW M4X10 UNI7687 SS
K2	24		2	SPACER 6.3X9.5X21
K6	25		2	SCREW HEX THD 5/16X1-1/4 UNC
K1	26	909 6044 000	1	WELDMENT.SQUEEGEE TOOL
K4	27		1	STRAP.SQUEEGEE LEFT REAR
K1	28	909 6055 000	1	STRAP.SQUEEGEE FRONT
K4	29		1	STRAP.SQUEEGEE RIGHT REAR
K3	30		2	WHEEL 60X20 WITH BUSHING
K1	31	909 6551 000	1	KNOB M8X30 SS
K5	32		2	SCREW M6X55 UNI5739 SS
K1	33	909 6600 000	1	SCREW GRUB M8X30 UNI5929 SS
K2	34		2	SCREW M6X40 UNI5933
K4	35		1	SPACER. RUBBER
K6	36		2	NUT THUMB SQUEEGEE FIXING
K2	37		2	NUT SELF L. M6 UNI7474 SS
	K1	909 6851 000	1	SQUEEGEE CPL ALU 760MM/30 KIT
K1	K2	909 6884 000	1	ROLLER BUMPER SQUEEG.KIT
K1	K3	909 6883 000	1	WHEELS SQUEEGEE 60X20MM KIT
K1	K4	909 6882 000	1	HARDWARE SQU.BLADE FIXING KIT
K1	K5	909 6394 000	1	LATCH SQUEEGEE KIT
K1	K6	9097637000	1	SQUEEGEE FIXING KIT
	K7	9099322000	1	HARDWARE SQUEEGEE SUPPORT KIT

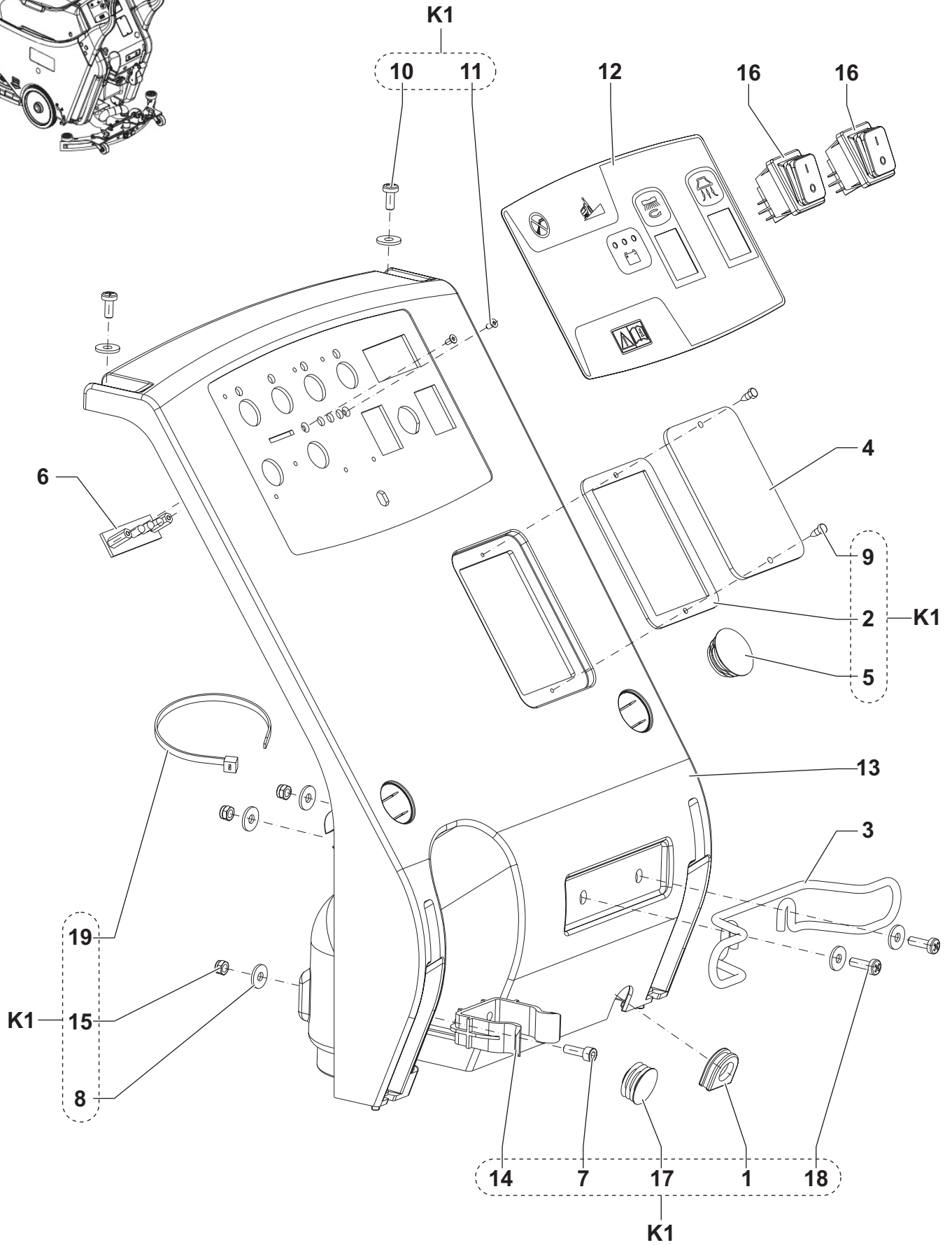
BRUSH DECK



BRUSH DECK

KIT	ITEM	REF. NO.	QTY	DESCRIPTION
	1#	9100000572	1	PLATE BLACK BRUSH DECK HOLDER PKD
K2	2		1	TIE CABLE 4.8x200 BLACK
K2	3		1	WASHER M8 UNI8842A SS
K1	4		1	WASHER 15
K2	5		2	WASHER M4 UNI6592 SS
K1	6		1	WASHER 8X24X2 FLAT ISO7093
K2	7		1	HOLDER RUBBER 1/4 D.10
K3	8	L08812306	1	HUB BRUSH R.GEARMOTOR RIGHT
K3	9	L08812480	1	HUB.BRUSH
K3	10		3	WASHER NORD LOCK M6 DIN25201
K3	11		3	SCREW M6X20 UNI5931 SS
K1	12		1	CAP. BLACK
K1	13		1	SPACER 9X15X13
K2	14		2	CAP FOR KNOB
K2	15		2	PIN PLATE FIXING
K2	16		2	WASHER 10X30X2
K2	17		4	WASHER 9.5X27X2.5
K2	18		2	PLATE.VIBRATION DAMPING
K2	19		1	TIE CABLE 4.8X430 WHITE
K2	20		3	SCREW M12X50 UNI5931 SS
K2	21		4	SCREW M6X35 UNI5739 SS
K2	22		5	WASHER M6 UNI8842A SS
	23	145 0492 000	1	SCREW M6X25 UNI5739 SS
K2	24		2	SCREW M4X10 UNI7687 SS
	25	145 0493 000	1	WASHER 6.6X24X2 UNI6593 SS
K1	26		1	SCREW M8X30 UNI5739 SS
K2	27		2	WASHER M4 UNI1751B
K2	28		2	WASHER 5X10 UNI6592 SS.
K2	29		4	SCREW M6X16 UNI5739 SS
	30	909 6042 000	1	DECK BRUSH
	31#	9100000454	1	REDUCTION GEARMOTOR 480W 24V KIT
	32#	9100000421	1	CARBON BRUSHES W/HOLDER KIT
	32A	909 5380 000	1	CARBON BRUSHES W/HOLDER KIT 4PCS
	33	9099341000	1	HOSE POLYESTER REINF. D.10 L.250 KIT
K2	34		3	BUSHING FLANGED
K2	35		4	NUT SELF L. M6 UNI7474 SS
K2	36		2	NUT SELFLOCKING LOW M5 UNI7474 SS
	37	9097184000	1	VIBRATION DAMPING M8
K1-K2	38		2	NUT SELFLOCKING LOW M8 UNI7474 SS
K2	39		1	SCREW M8X12 UNI5739 SS
	40	9099563000	1	SOLENOID VALVE 24V
	41	L08812203	2	KNOB
K1	42		1	ROLLER BUMPER
K2	43	L08812213	2	BUFFER
	44#	145 9774 000	1	KEY 5X5X20 UNI6604A
	45	L08837025	1	ROLLER BUMPER KIT
K1	909 6887 000		1	HARDWARE BRUSH DECK KIT
K2	9099326000		1	HUB BRUSH KIT
K3#	L08812589		1	HUB BRUSH R.GEARMOTOR RIGHT
	A:	FOR OLD MODEL LEROY SOMER GM462200 - UP TO SN 3510134507872		

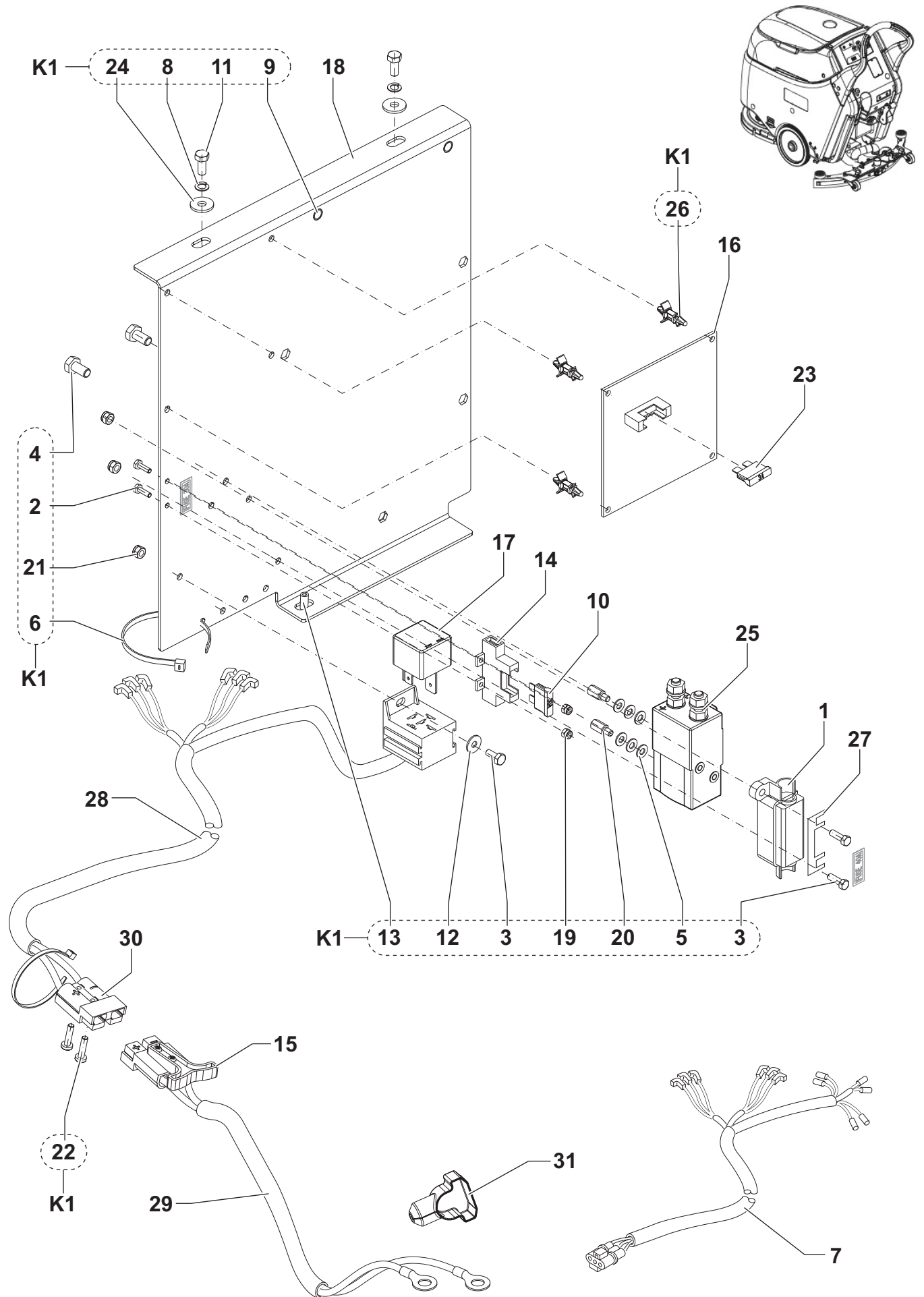
CONTROL PANEL



CONTROL PANEL

KIT	ITEM	REF. NO.	QTY	DESCRIPTION
K1	1		1	GROMMET
K1	2		1	GASKET
	3	909 5149 000	1	SUPPORT CABLE
	4	909 5313 000	1	PLATE INSPECTION TRANSP.
K1	5		1	CAP. BLACK
	6	L08812909	1	BOARD. LED
K1	7		1	SCREW M5X16 UNI5931 SS
K1	8		9	WASHER 5X15X1.2 UNI6593 SS
K1	9		2	SCREW 3.9X9.5 UNI6950 THD FORM
K1	10		4	SCREW M5X12 UNI5931 SS
K1	11		2	SCREW M3X6 UNI7688
	12	9099271000	1	DECAL CONTROL PANEL BA
	13	9099279000	1	COVER BOX ELECTRIC COMP.
K1	14		1	CLAMP.HOSE D.50
K1	15		3	NUT SELF L. M5 UNI7474
	16#	107404540	2	SWITCH 0-1 DOUBLE POLE SET
K1	17		1	CAP FOR KNOB
K1	18		2	SCREW M5X16 UNI7687
K1	19		1	TIE, CABLE 3,6X140
	K1	9099327000	1	HARDWARE CONTROL PANEL BA KIT

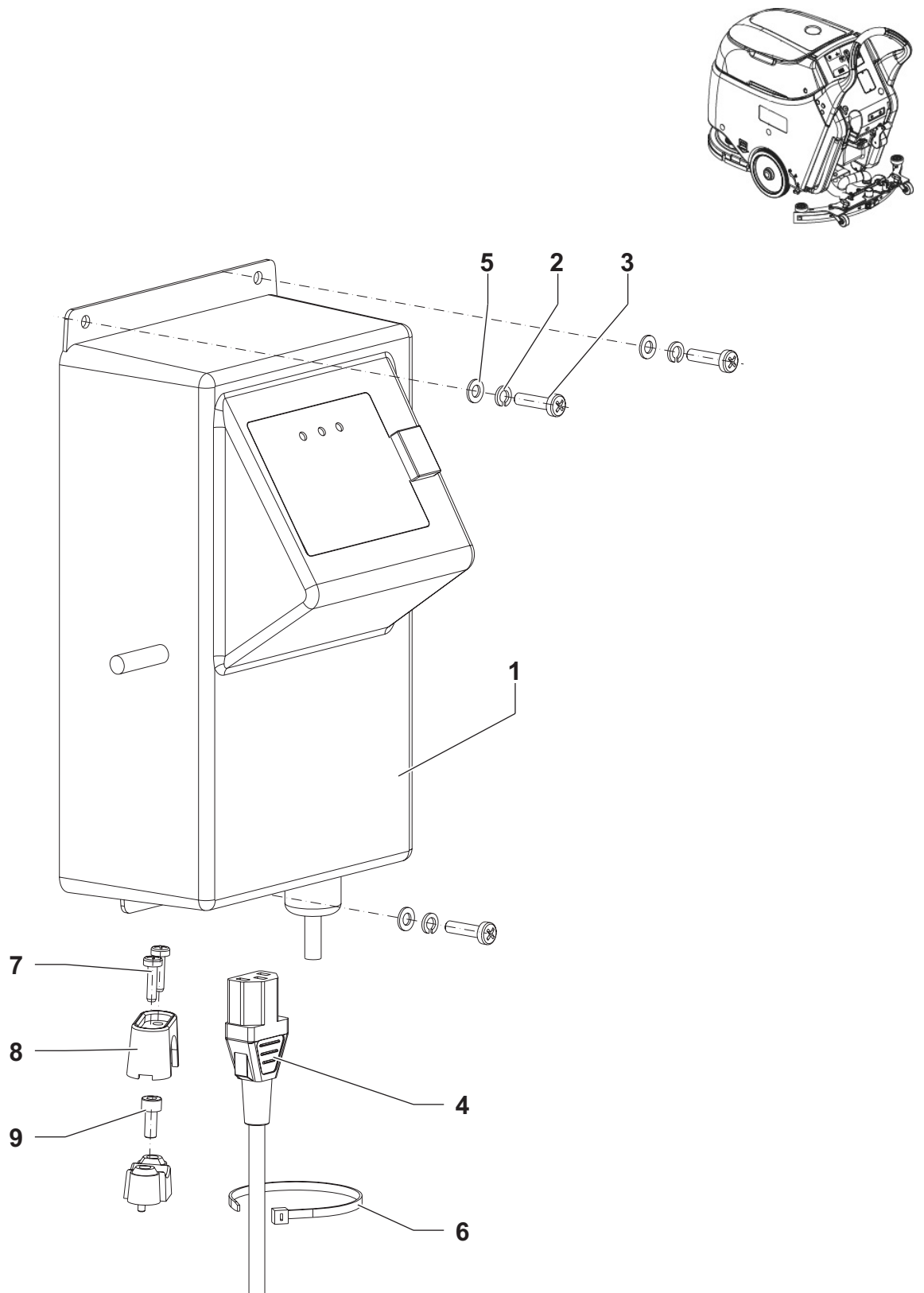
ELECTRICAL COMPONENTS



ELECTRICAL COMPONENTS

KIT	ITEM	REF. NO.	QTY	DESCRIPTION
	1	145 8046 000	1	HOLDER FUSE
K1	2		2	SCREW M3X10 UNI5739
K1	3		3	SCREW M4X12 UNI5739
K1	4		2	SCREW M4X8 UNI5739
K1	5		6	WASHER M4 UNI6592
K1	6		2	TIE CABLE 3.6x140 BLACK
	7	9099268000	1	HARNESS MACHINE
K1	8		2	WASHER M5 UNI1751B
K1	9		3	HEX INSERT M5
	10	145 8513 000	1	FUSE BLADE 30A UL
K1	11		2	SCREW M5X12 UNI5739
K1	12		1	WASHER 4X12 UNI6593
K1	13		1	SCREW GRUB M5X12 UNI5929
	14	146 0660 000	1	HOLDER FUSE THERMOPL. UL 94-V0
	15	1464116000	1	HANDLE RED PLASTIC SB 120
	16#	9099967000	1	CARD ELECTRONIC KIT
	17	909 6622 000	1	RELAY 24V 40A
	18	909 6498 000	1	SUPPORT ELECTRIC COMP.
K1	19		2	NUT SELF L. M3 UNI7474
K1	20		2	SPACER M4 L10
K1	21		3	NUT SELF L. M4 UNI7474
K1	22		2	SCREW M5X20 UNI7687
	23	145 9852 000	1	FUSE BLADE 5A UL
K1	24		2	WASHER 5X15X1.5 UNI6593
	25	146 0719 000	1	SWITCH ELECTROMAGNETIC 24V
K1	26		4	SPACER PLASTIC
	27	145 3824 000	1	FUSE STRIP 40A
	28	9099291000	1	HARNESS ELECTRIC COMP. BOX
	29	909 5955 000	1	HARNESS BATTERY
	30	9098761000	2	CONNECTOR 50A RED
	31	L08812093	4	BOOT.BATTERY CLAMPS BLACK
K1		9099328000	1	HARDWARE ELECTRIC COMP. KIT

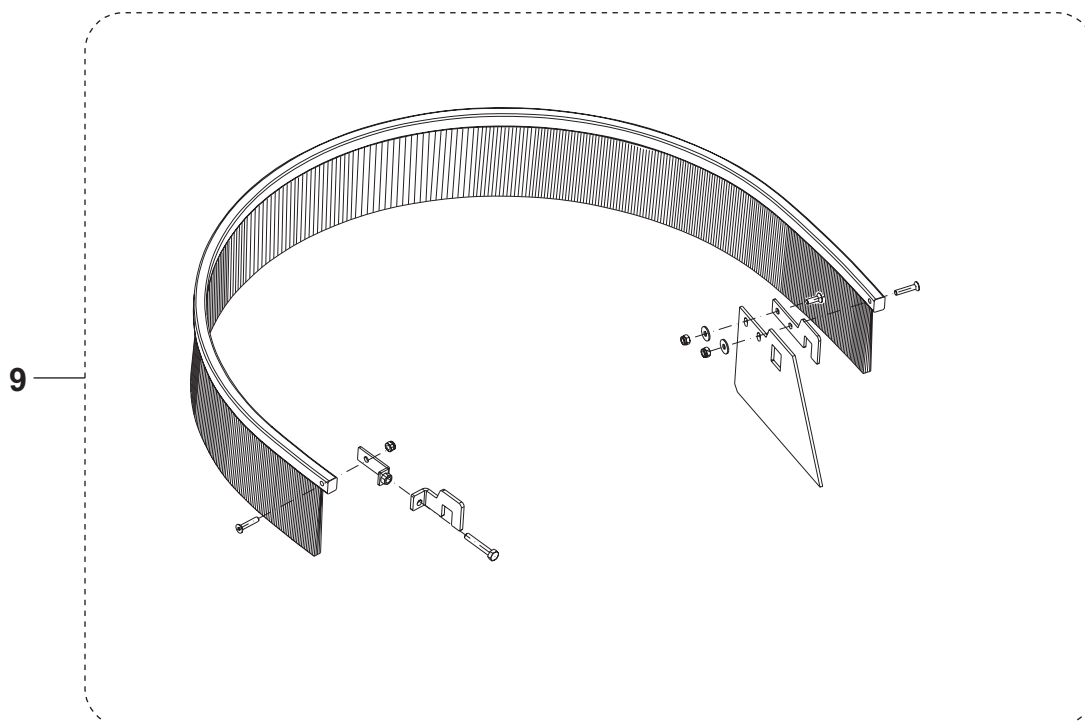
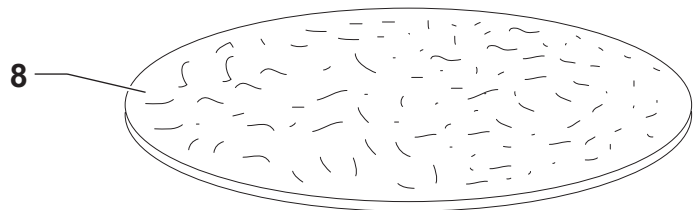
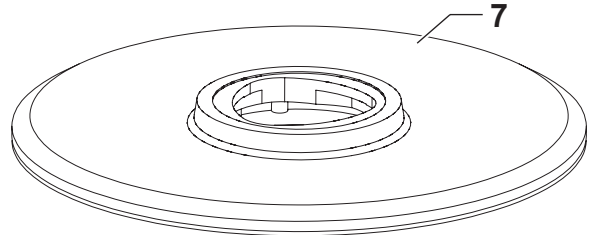
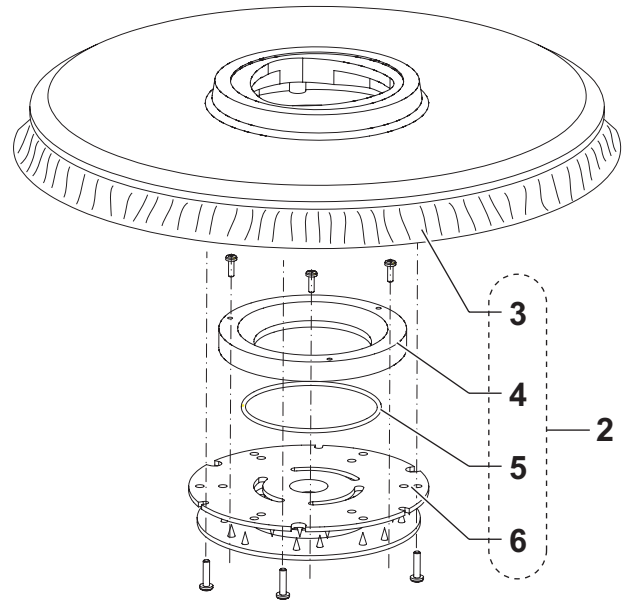
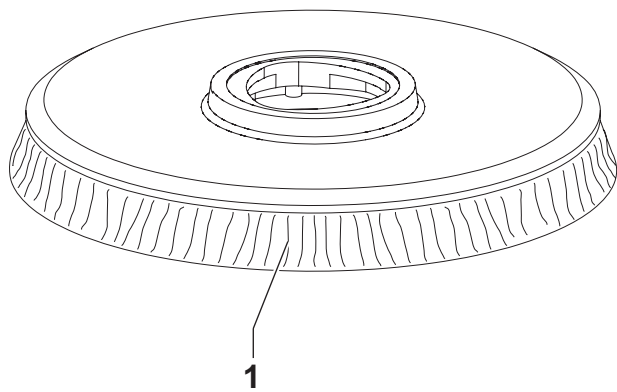
BATTERY CHARGER



BATTERY CHARGER

KIT	ITEM	REF. NO.	QTY	DESCRIPTION
	1	9098296000	1	CHARGER BATTERY ON BOARD
	2		3	WASHER M5 UNI1751B
	3		3	SCREW M5X20 UNI7687
	4	9096914000	1	CABLE EXTENSION US
	5		3	WASHER M5 UNI6592
	6		1	TIE, CABLE 3,6X140
	7		2	SCREW CYL HD 4X16 SELF L.
	8	L08338600	1	CAP BRACKET
	9		1	SCREW SOC HD

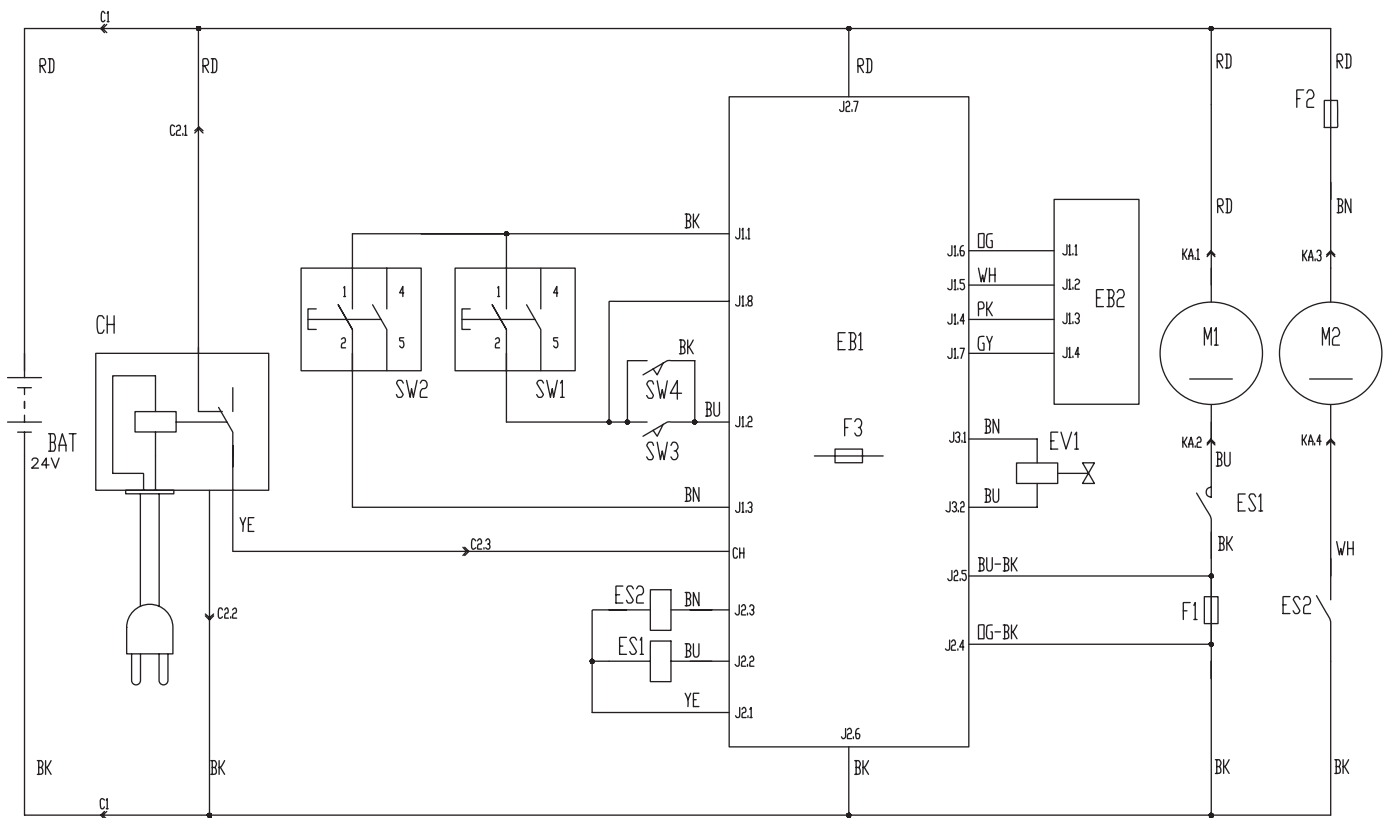
ACCESSORIES



ACCESSORIES

KIT	ITEM	REF. NO.	QTY	DESCRIPTION
	1*	L08837025	1	BRUSH D.530MM/20INCH PROLENE PPL BLUE
	1*	L08837026	1	BRUSH PROLITE 530MM
	1*	L08837027	1	BRUSH UNION MIX 530MM
	1*	L08837065	1	BRUSH MAGNA GRIT 46 530MM
	1*	L08837066	1	BRUSH DYNA GRIT 80 530MM
	2*	L08837018	1	PAD HOLDER 530MM.
	3		1	PAD HOLDER D.485 PPL1
	4	L08603966	1	RING NYLON
	5	L08603965	1	O-RING 2.62X82.22 -3325-NBR 40SH
	6	L08837030	1	RETAINER PAD
	7	9099671000	1	PAD HOLDER 21 530MM
	8*	10001961	1	PAD 21 530MM ECO BLACK5PCS
	8*	10001962	1	PAD 21 530MM ECO BLUE 5PCS
	8*	10001963	1	PAD 21 530MM ECO BROWN 5PCS
	8*	10001964	1	PAD 21 530MM ECO GREEN 5PCS
	8*	10001965	1	PAD 21 530MM ECO RED 5PCS
	8*	10001966	1	PAD 21 530MM ECO WHITE 5PCS
	8*	10002352	1	PAD 21 533MM ECO BRILLIANCE RED 2PCS
	8*	10002354	1	PAD 21 533MM ECO BRILLIANCE YELLOW 2PCS
	8*	10002355	1	PAD 21 533MM ECO BRILLIANCE GREEN 2PCS
	9*	909 6736 000	1	SPLASH GUARD KIT 530MM/21
		909 6745 000	1	INSTRUCTIONS INSTALL. SPL.GUARD KIT

WIRING DIAGRAM



WIRING DIAGRAM

KEY	REF. NO.	DESCRIPTION
BAT	-	24V BATTERIES
C1	9098761000	CONNECTOR 50A RED
C2	-	MAIN CHARGER CONNECTOR
CH	9098297000	CHARGER BATTERY 24V 13A 100/240VAC EU
EB1	9099967000	CARD ELECTRONIC KIT
EB2	L08812909	BOARD. LED
ES1	146 0719 000	SWITCH ELECTROMAGNETIC 24V
ES2	909 6622 000	RELAY 24V 40A
EV1	9099563000	SOLENOID VALVE 24V
F1	145 3824 000	FUSE STRIP 40A
F2	145 8513 000	FUSE BLADE 30A UL
F3	145 9852 000	FUSE BLADE 5A UL
M1	9100000454	REDUCTION GEARMOTOR 480W 24V KIT
M2	9099922000	MOTOR VACUUM 330W 24V KIT
SW1	107404540	SWITCH 0-1 DOUBLE POLE SET
SW2		
SW3	9100000466	SWITCHES CPL BLACK F HANDLE BAR KIT
SW4		
SW3	11178A	SWITCH HANDLE ASSY FOR OLD HANDLE BAR MODEL WITH ONE SWITCH

KEY	COLOUR
BK	BLACK
BU	LIGHT BLUE
BN	BROWN
GN	GREEN
GY	GREY
OG	ORANGE

KEY	COLOUR
PK	PINK
RD	RED
VT	VIOLET
WH	WHITE
YE	YELLOW

RECOMMENDED PARTS

	REF. NO.	QTY	DESCRIPTION
			NORMAL WEAR
	909 5371 000	1	CARBON BRUSH
#	9100000279	1	BLADES NON MARKING 740MM/29 KIT
	L08837025	1	BRUSH D.530MM/20INCH PROLENE PPL BLUE
#	9100000421	1	CARBON BRUSHES W/HOLDER KIT
	909 6736 000	1	SPLASH GUARD KIT 530MM/21
			ORDINARY MAINTENANCE
	9099258000	1	CABLE SQUEEGEE LIFTING
#	9099953000	1	WHEEL D.50
	9099922000	1	MOTOR VACUUM 330W 24V KIT
	9099255000	1	HOSE VACUUM MOTOR
	9099281000	1	HOSE SUCTION
	9099692000	1	HOSE DRAIN KIT
	9099342000	1	GASKET BULB RUBBER L.1350MM PKD
	9099270000	2	WHEEL D.254
#	9100000362	1	FILTER WATER
#	9099481000	1	NET WATER FILTER REINFORCED
#	9100000454	1	REDUCTION GEARMOTOR 480W 24V KIT
	9099563000	1	SOLENOID VALVE 24V
	9097184000	1	VIBRATION DAMPING M8
	9099671000	1	PAD HOLDER 21 530MM
	9099310000	1	GASKETS VACUUM MOTOR KIT
	9099311000	1	GASKETS KIT
	9099513000	1	VALVE ELBOW 90. D.13MM
			EXTRA-ORDINARY MAINTENANCE
#	9100000466	1	SWITCHES CPL BLACK F HANDLE BAR KIT
	9099271000	1	DECAL CONTROL PANEL BA
#	107404540	2	SWITCH 0-1 DOUBLE POLE SET
	11178A	1	SWITCH HANDLE ASSY
	145 8513 000	1	FUSE BLADE 30A UL
#	9099967000	1	CARD ELECTRONIC KIT
	909 6622 000	1	RELAY 24V 40A
	146 0719 000	1	SWITCH ELECTROMAGNETIC 24V
	145 3824 000	1	FUSE STRIP 40A
	9099291000	1	HARNESS ELECTRIC COMP. BOX
	9098761000	2	CONNECTOR 50A RED
	9099268000	1	HARNESS MACHINE
	145 9852 000	1	FUSE BLADE 5A UL
	9098297000	1	CHARGER BATTERY 24V 13A 100/240VAC EU
	909 6887 000	1	ROLLER BUMPER KIT

OPTIONAL

	REF. NO.	QTY	DESCRIPTION
	9096916000	1	FILTER SOLUTION TANK
	9097290000	1	HOSE FILLING
	909 6858 000	1	BLADES PU KIT 740MM/29
	L08837026	1	BRUSH PROLITE 530MM
	L08837027	1	BRUSH UNION MIX 530MM
	L08837065	1	BRUSH MAGNA GRIT 46 530MM
	L08837066	1	BRUSH DYNA GRIT 80 530MM
	L08837018	1	PAD HOLDER 530MM.
	L08603966	1	RING NYLON
	L08603965	1	O-RING 2.62X82.22 -3325-NBR 40SH
	L08837030	1	RETAINER PAD
	9099671000	1	PAD HOLDER 21 530MM
	10001962	1	PAD 21 530MM ECO BLUE 5PCS
	10001963	1	PAD 21 530MM ECO BROWN 5PCS
	10001964	1	PAD 21 530MM ECO GREEN 5PCS
	10001965	1	PAD 21 530MM ECO RED 5PCS
	10001966	1	PAD 21 530MM ECO WHITE 5PCS
	10002352	1	PAD 21 533MM ECO BRILLIANCE RED 2PCS
	10002354	1	PAD 21 533MM ECO BRILLIANCE YELLOW 2PCS
	10002355	1	PAD 21 533MM ECO BRILLIANCE GREEN 2PCS
	909 6736 000	1	SPLASH GUARD KIT 530MM/21



Advance

14600 21st Avenue North
Plymouth, MN 55447-3408

www.advance-us.com

Phone: 800-989-2235

Fax: 800-989-6566

©2014 Nilfisk-Advance, Inc.

A Nilfisk-Advance Brand